



US00D744363S

(12) **United States Design Patent**  
**Betsinger**

(10) **Patent No.:** **US D744,363 S**  
(45) **Date of Patent:** **\*\* Dec. 1, 2015**

(54) **SENSOR HOUSING ASSEMBLY FOR HYDRAULIC HOSE**

- (71) Applicant: **Eaton Corporation**, Cleveland, OH (US)
- (72) Inventor: **James Dean Betsinger**, Waterville, OH (US)
- (73) Assignee: **EATON CORPORATION**, Cleveland, OH (US)
- (\*\*) Term: **14 Years**
- (21) Appl. No.: **29/499,634**
- (22) Filed: **Aug. 18, 2014**

**Related U.S. Application Data**

- (62) Division of application No. 29/430,183, filed on Aug. 22, 2012, now Pat. No. Des. 712,769.
- (51) **LOC (10) Cl.** ..... **10-04**
- (52) **U.S. Cl.**  
USPC ..... **D10/101; D10/96**
- (58) **Field of Classification Search**  
USPC ..... D10/46, 96, 101; 73/40, 49.5, 49.1, 73/49.2, 40.5 R, 763, 63; 137/312; 138/104, 125, 127, 123; 174/11 R; 285/8, 10; 340/438, 604, 605, 618.3, 340/618, 620; 702/34, 35, 185; 116/208  
CPC ..... F16L 11/127; F16L 11/12; F16L 25/01; F16L 2201/30; F16L 57/06; F16L 55/11; G01M 3/18; G01M 3/16; G01M 3/24; G01M 3/182; G01M 3/022; G01M 3/02; G01M 3/047; G01M 3/38; G01M 3/283; G01N 27/24; G01N 3/12

See application file for complete search history.

(56) **References Cited**

U.S. PATENT DOCUMENTS

8,651,143 B2 *	2/2014	Mateo	138/89
8,746,041 B2 *	6/2014	Howard et al.	73/46
8,776,824 B2 *	7/2014	Yao	137/312

\* cited by examiner

*Primary Examiner* — Antoine D Davis

(74) *Attorney, Agent, or Firm* — Jarett D. Millar

(57) **CLAIM**

The ornamental design for a sensor housing assembly for hydraulic hose, as shown and described.

**DESCRIPTION**

FIG. 1 is a perspective view of a sensor housing assembly for hydraulic hose showing my new design.

FIG. 2 is an alternate perspective view of the sensor housing assembly for hydraulic hose of FIG. 1.

FIG. 3 is a left elevation view of the sensor housing assembly for hydraulic hose of FIG. 1.

FIG. 4 is a right elevation view of the sensor housing assembly for hydraulic hose of FIG. 1.

FIG. 5 is a bottom plan view of the sensor housing assembly for hydraulic hose of FIG. 1.

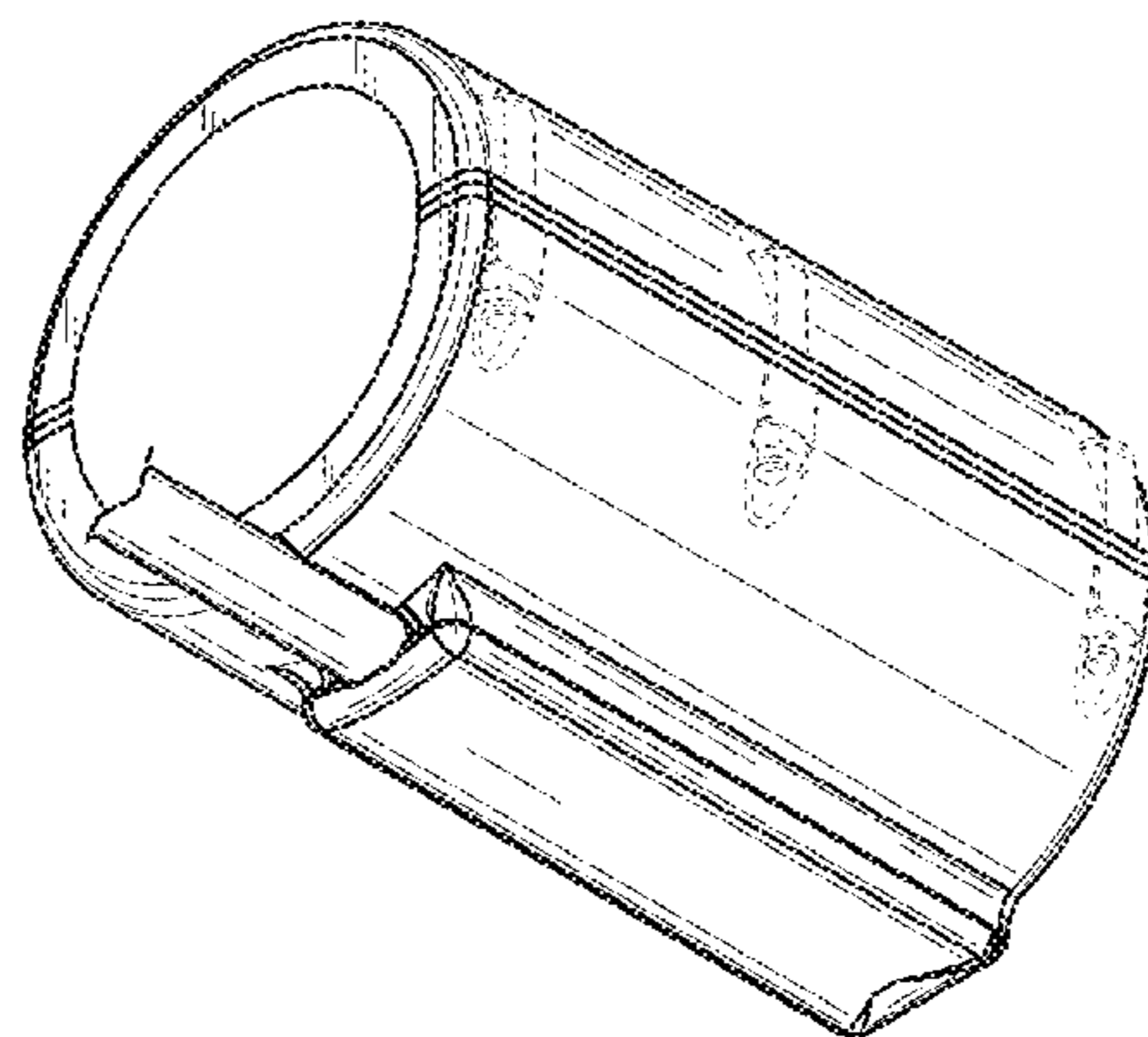
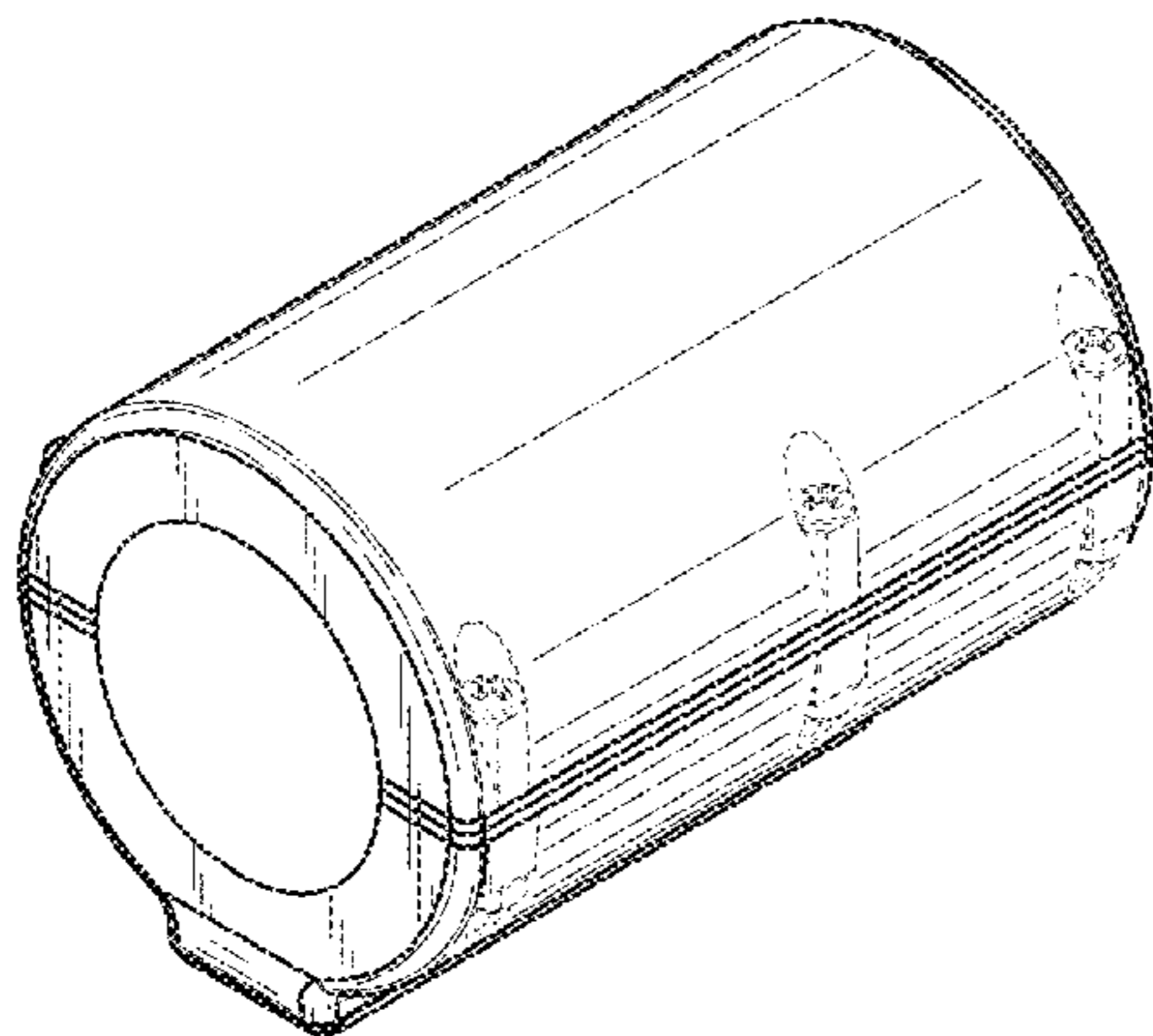
FIG. 6 is a top plan view of the sensor housing assembly for hydraulic hose of FIG. 1.

FIG. 7 is a back elevation view of the sensor housing assembly for hydraulic hose of FIG. 1; and,

FIG. 8 is a front elevation view of the sensor housing assembly for hydraulic hose of FIG. 1.

The broken lines illustrate portions of the sensor housing assembly for hydraulic hose which form no part of the claimed design.

**1 Claim, 2 Drawing Sheets**



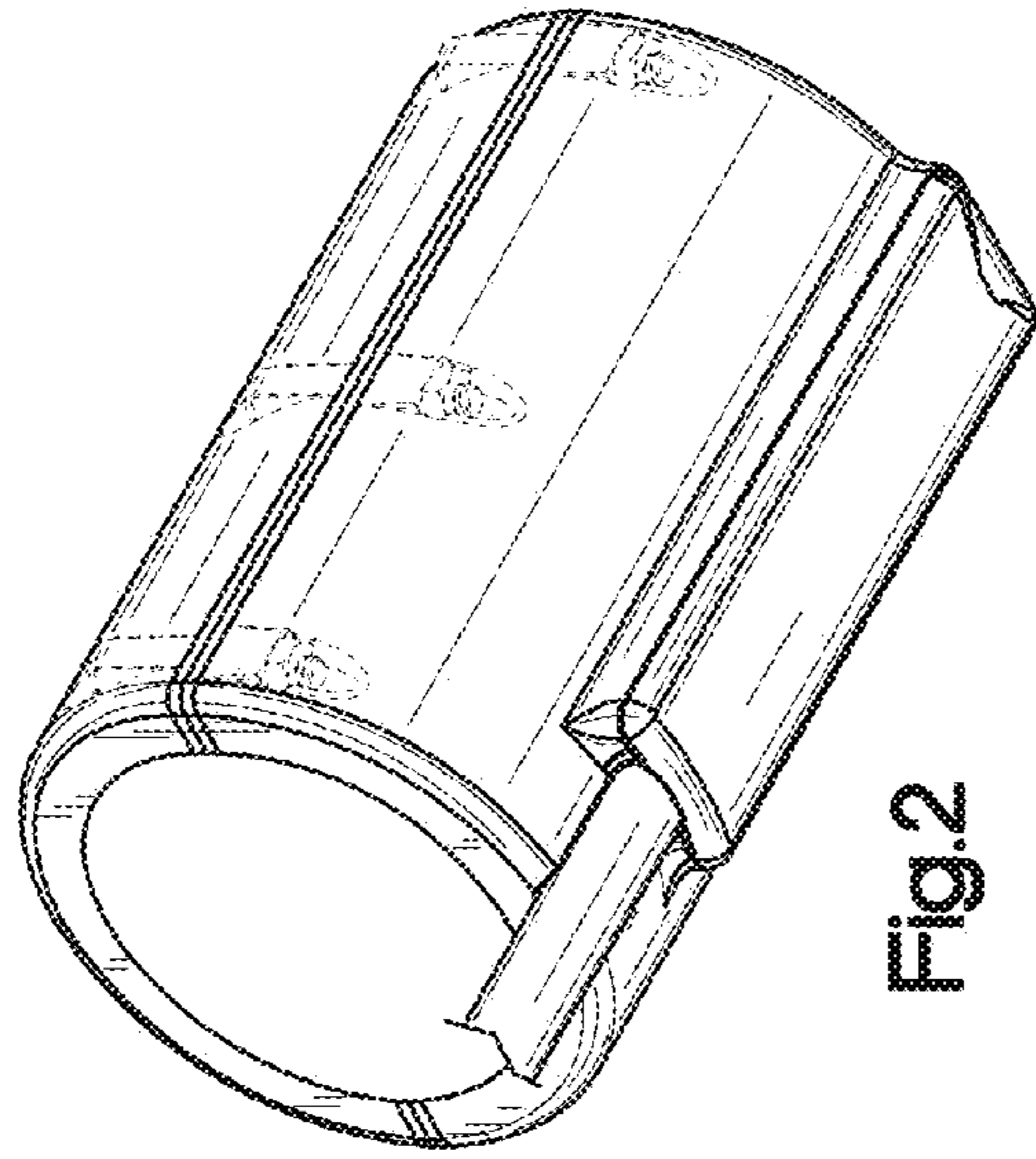


Fig.1

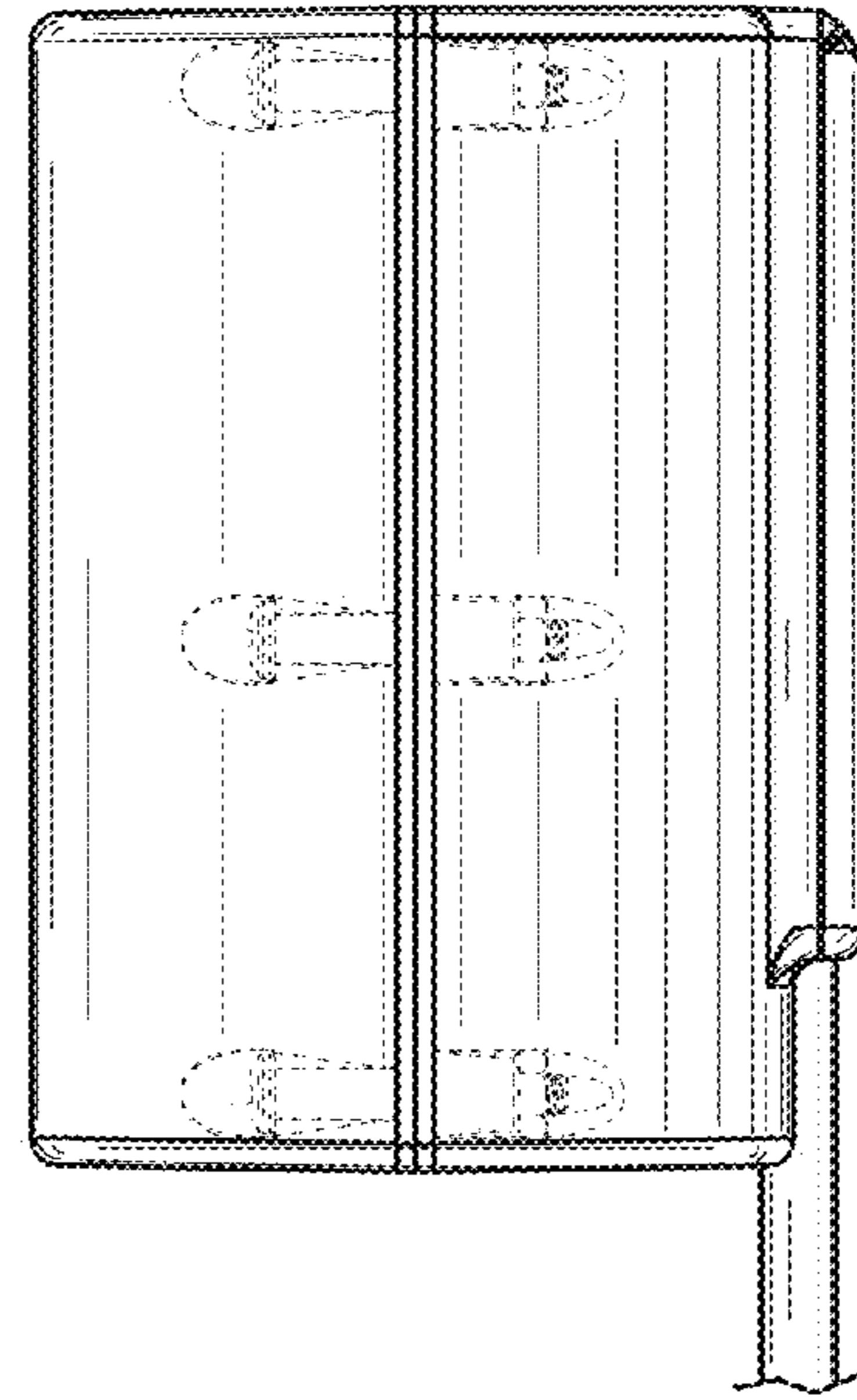


Fig.2

Fig.4

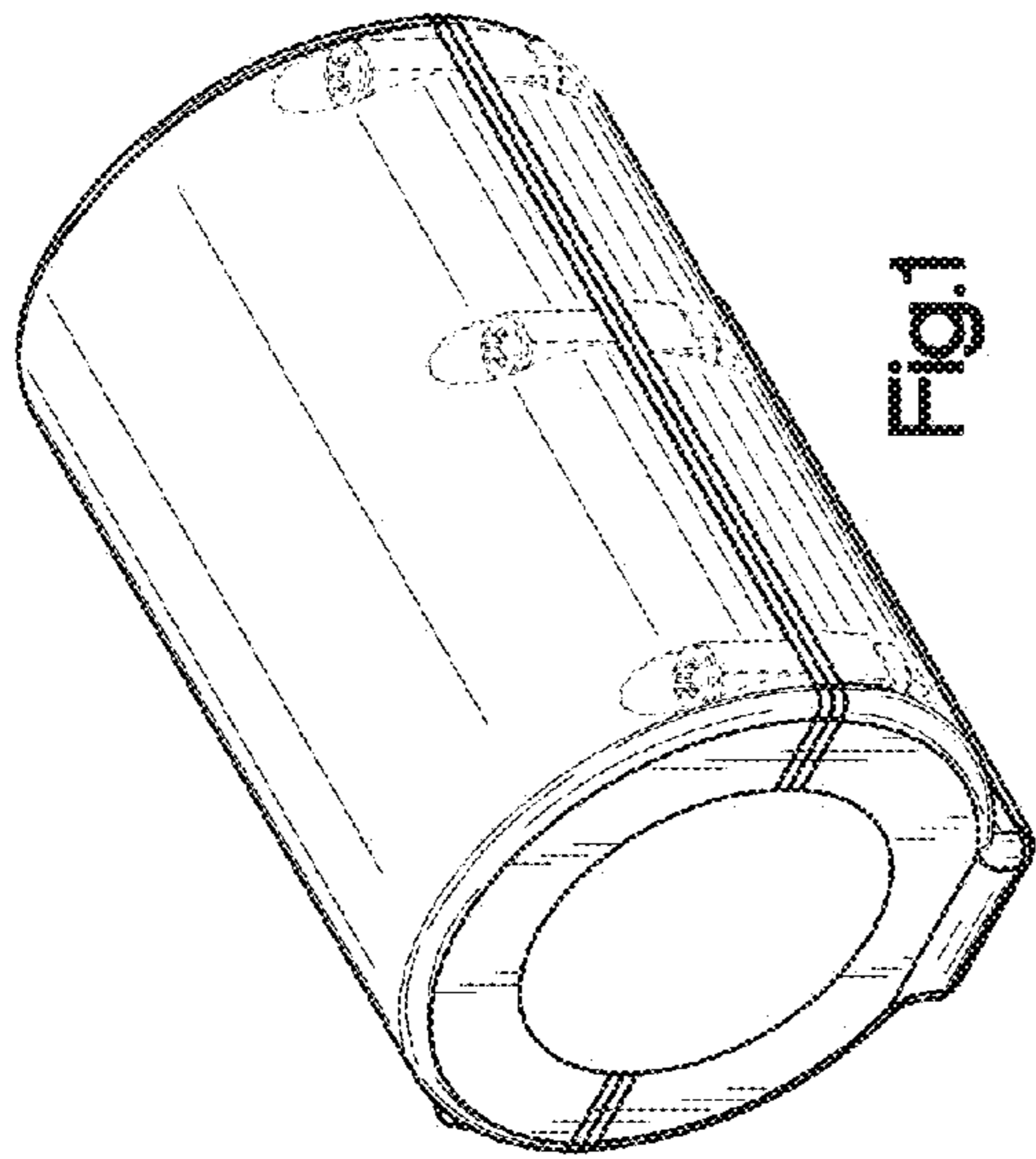
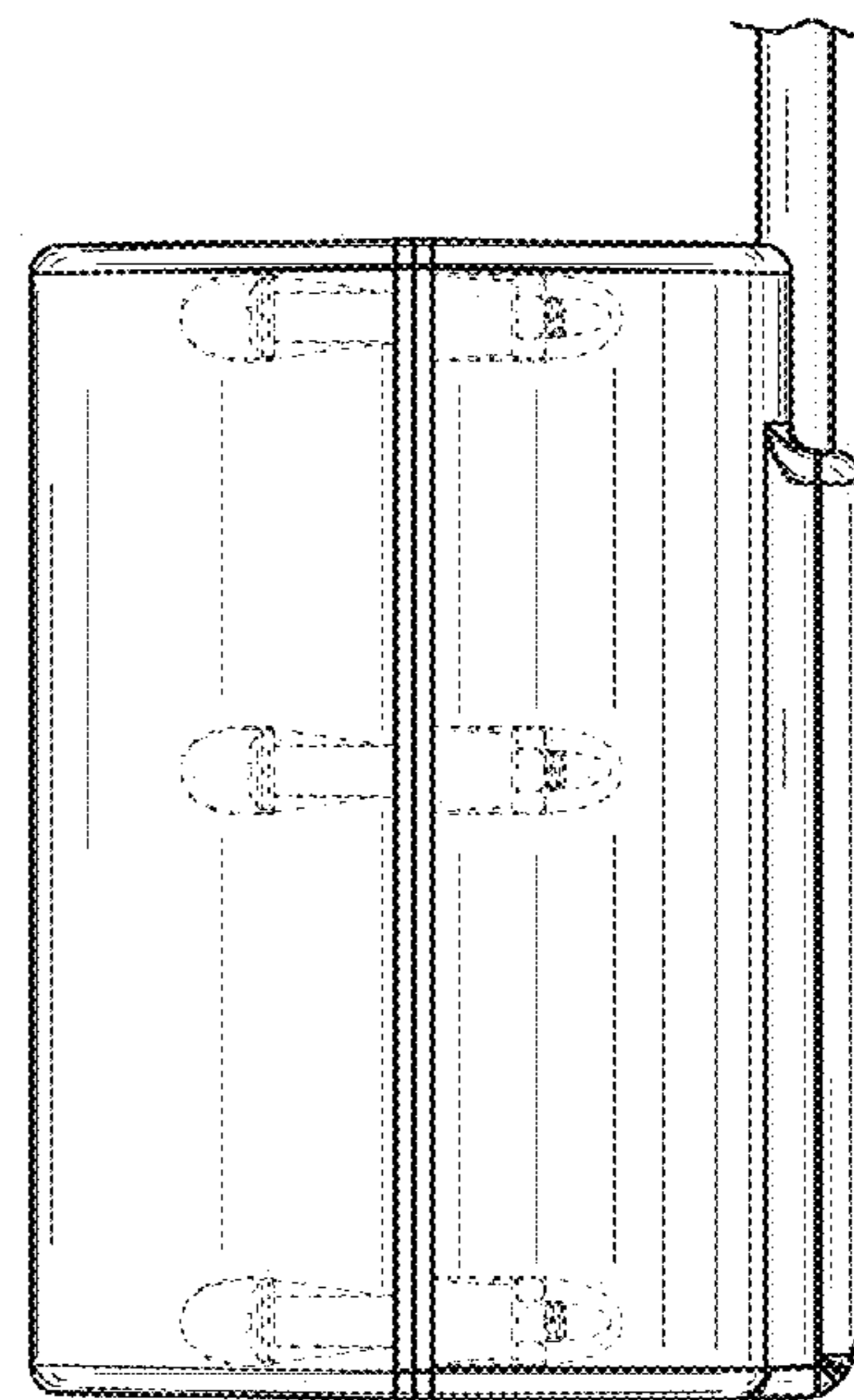


Fig.3



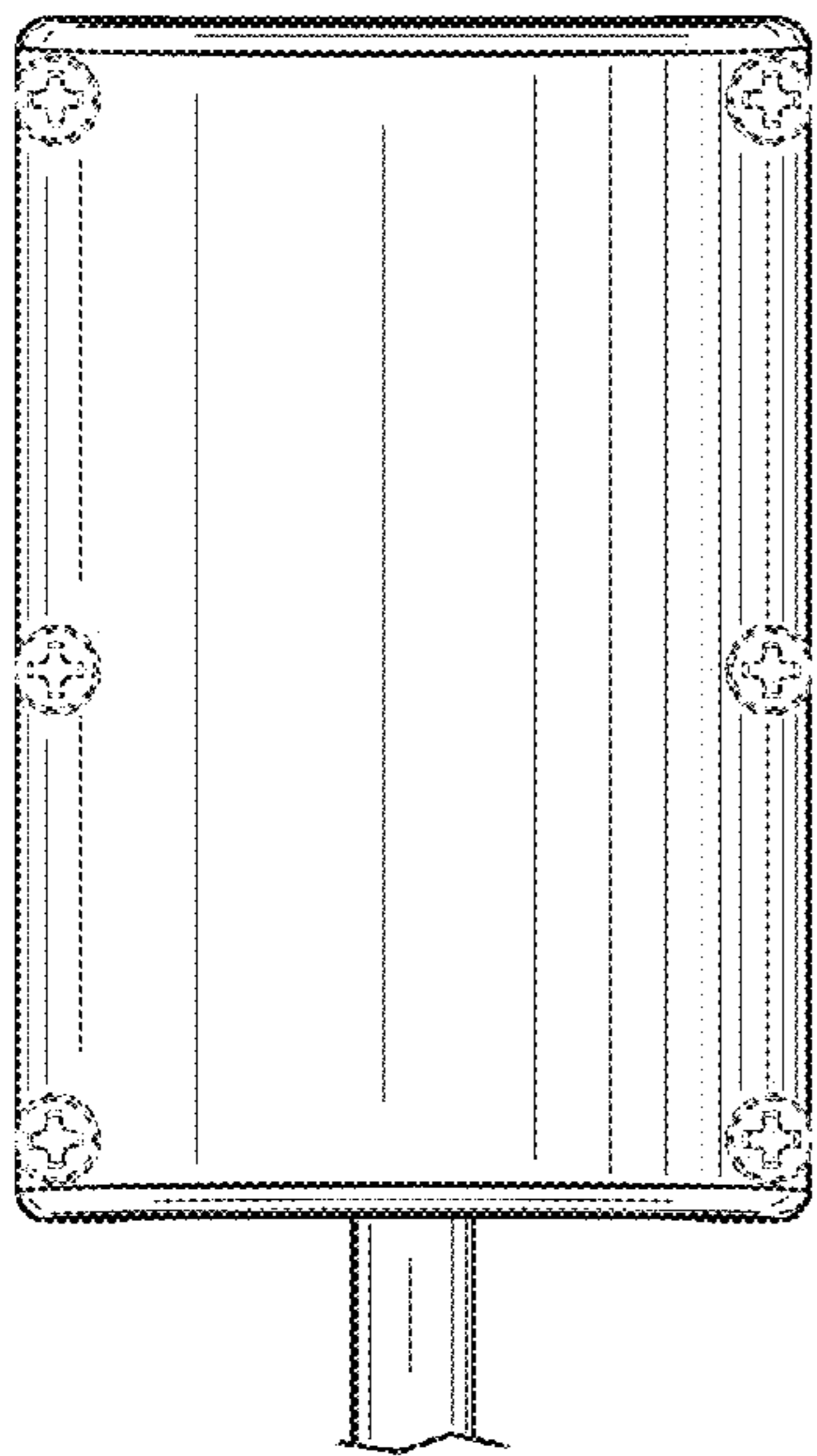


Fig.6

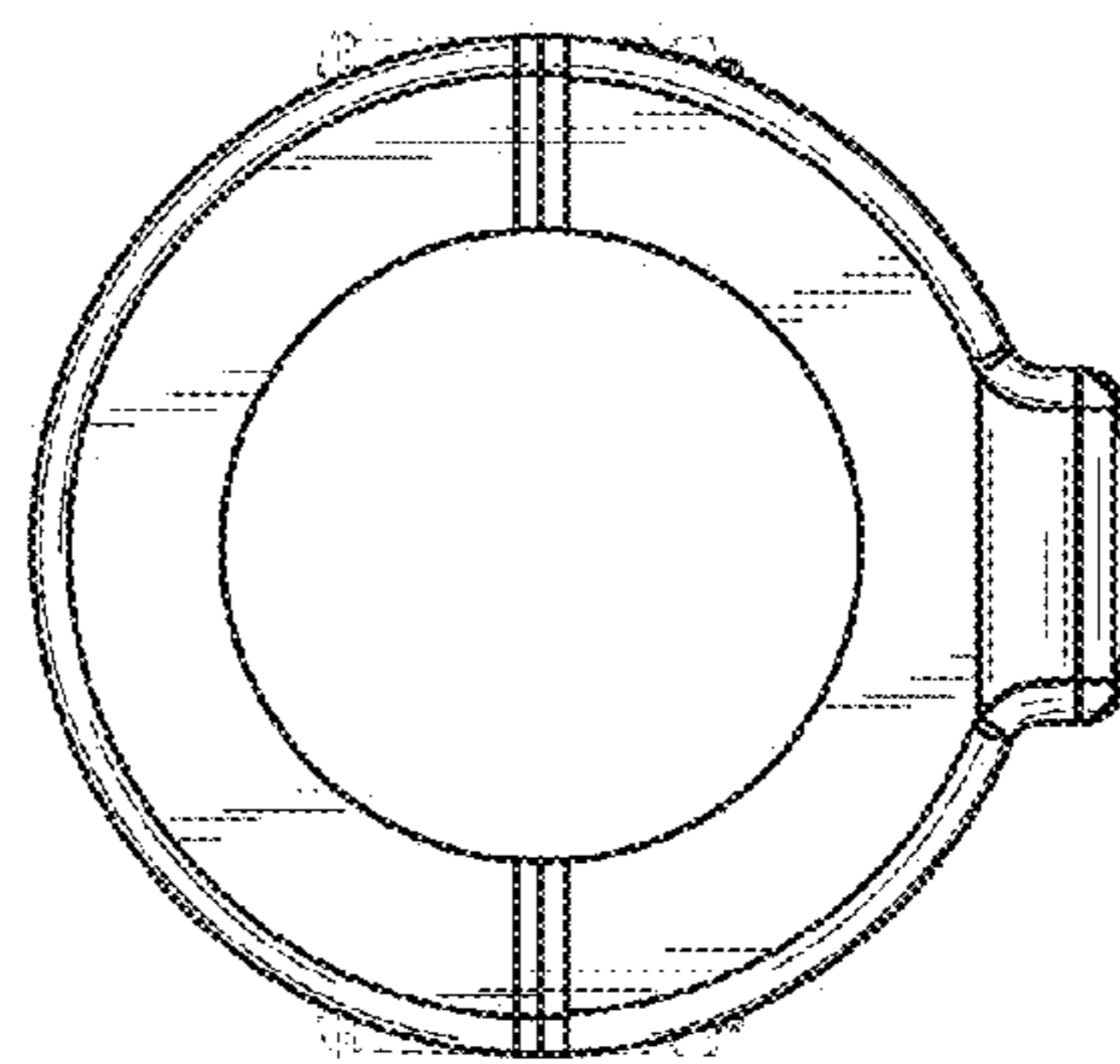


Fig.8

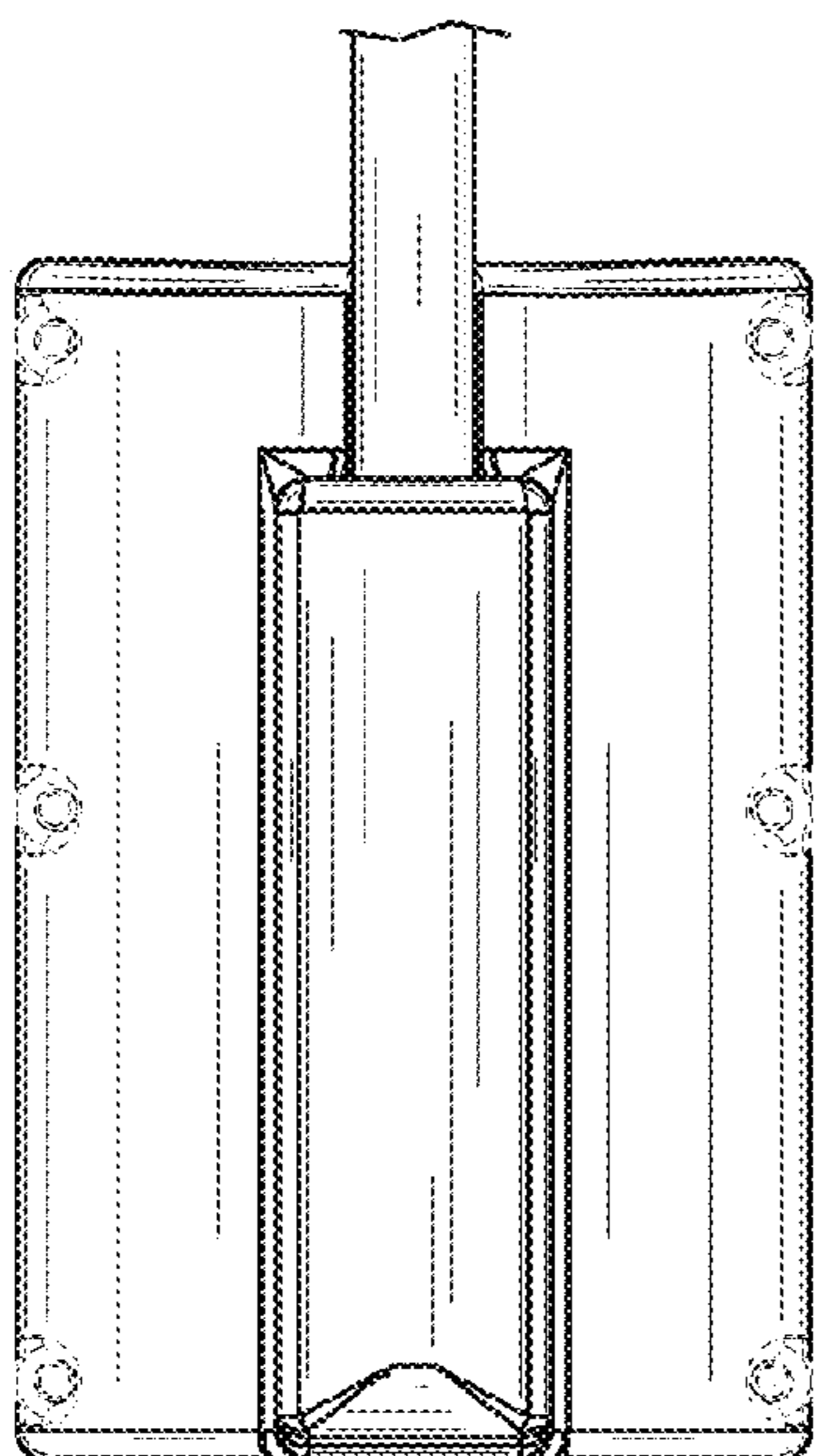


Fig.5

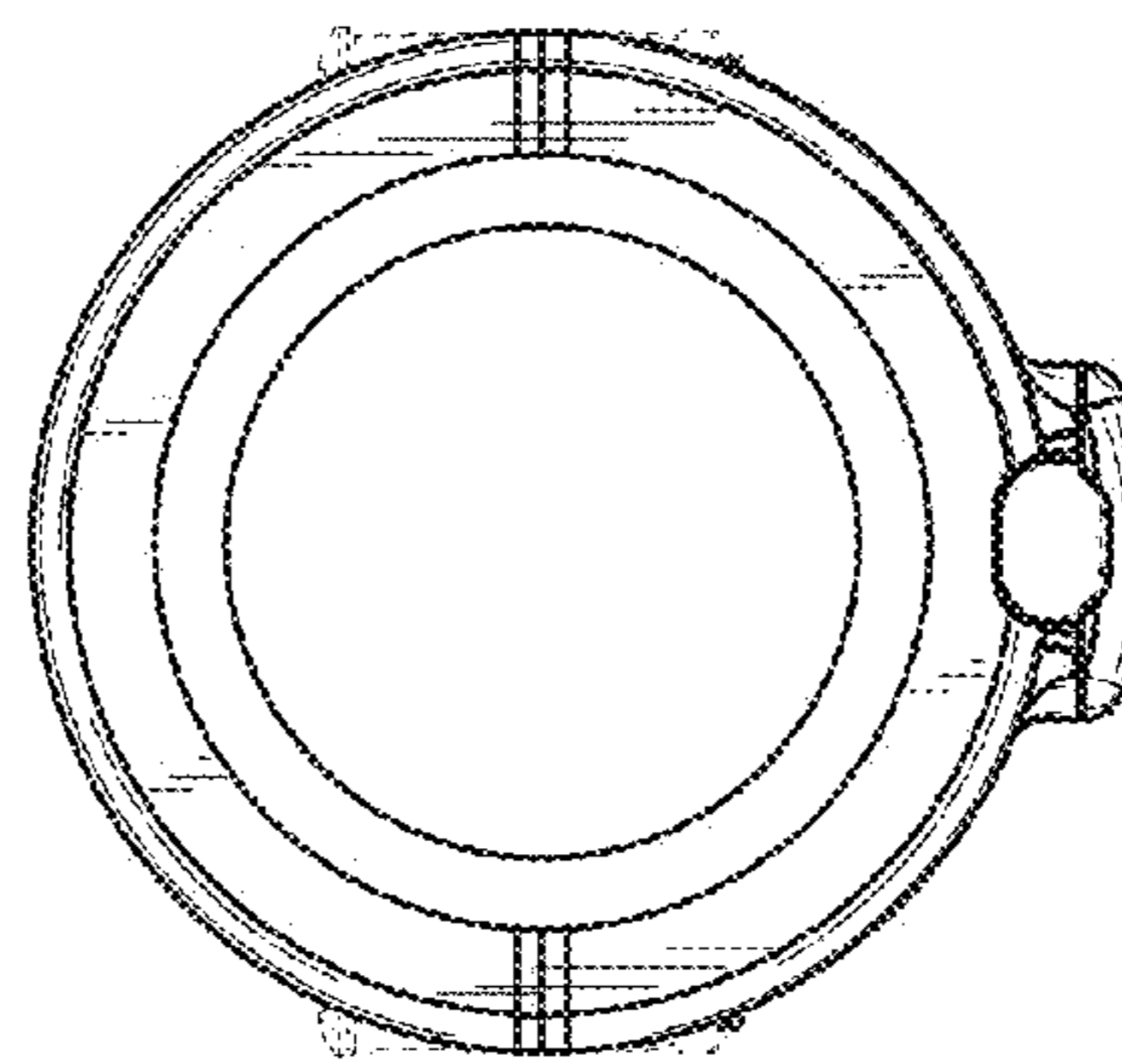


Fig.7