



US00D744362S

(12) **United States Design Patent**
Feng et al.

(10) **Patent No.:** **US D744,362 S**

(45) **Date of Patent:** **** Dec. 1, 2015**

(54) **CASE**

(71) Applicant: **Micro Motion, Inc.**, Boulder, CO (US)

(72) Inventors: **Xiang Feng**, Nanjing (CN); **Muyuan Liu**, Nanjing (CN); **Yang Ye**, Nanjing (CN)

(73) Assignee: **Micro Motion, Inc.**, Boulder, CO (US)

(**) Term: **14 Years**

(21) Appl. No.: **29/495,574**

(22) Filed: **Jul. 2, 2014**

(30) **Foreign Application Priority Data**

May 23, 2014 (CN) 2014 3 0146126

(51) **LOC (10) Cl.** **10-04**

(52) **U.S. Cl.**
USPC **D10/96**

(58) **Field of Classification Search**
USPC D10/96
CPC ... G01F 1/8472; G01F 1/8481; G01F 1/8468;
G01F 1/8436; G01F 1/8477; G01F 1/8418;
G01F 1/8422; G01F 1/8427; G01F 1/8431;
G01F 1/844; G01F 1/8445; G01F 1/8486;
G01F 1/849; G01F 1/8495; G01F 25/00;
G01F 25/0007

See application file for complete search history.

(56) **References Cited**

U.S. PATENT DOCUMENTS

D418,767 S * 1/2000 Oakley D10/96
D419,088 S * 1/2000 Oakley D10/96

D423,388 S * 4/2000 Oakley D10/96
D427,096 S * 6/2000 McCarthy et al. D10/96
D668,979 S * 10/2012 Robb et al. D10/96
D674,302 S * 1/2013 Robb et al. D10/96
D675,122 S * 1/2013 Robb et al. D10/96
2011/0209561 A1 * 9/2011 Hussain et al. 73/861.357
2014/0137666 A1 * 5/2014 Werbach et al. 73/861.355
2015/0001846 A1 * 1/2015 Griffin 285/368

* cited by examiner

Primary Examiner — Antoine D Davis

(74) *Attorney, Agent, or Firm* — The Ollila Law Group LLC

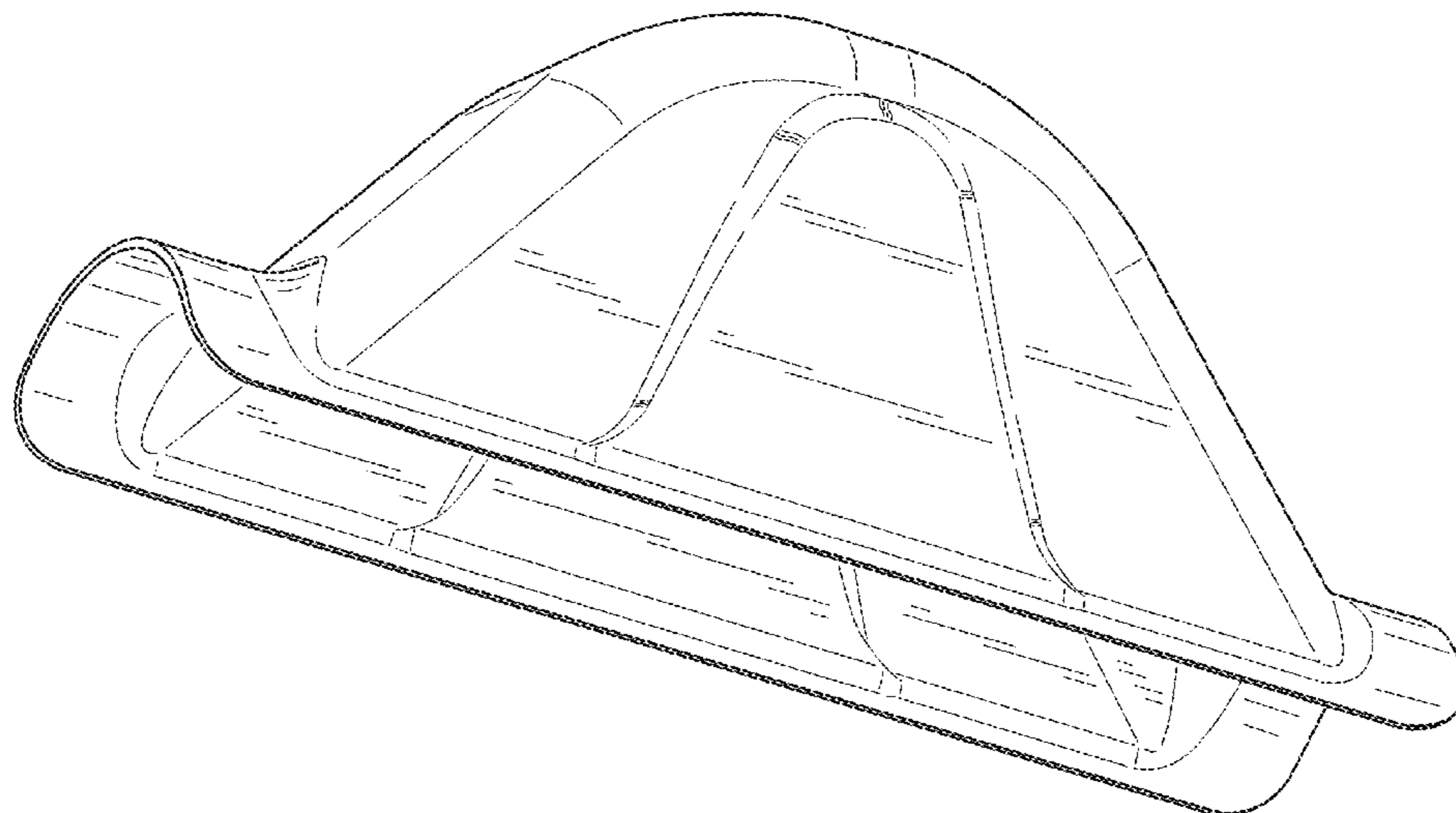
(57) **CLAIM**

The ornamental design for a case, substantially as shown and described.

DESCRIPTION

FIG. 1 is a perspective view of a case showing our new design; FIG. 2 is a front view thereof; FIG. 3 is a rear view thereof; FIG. 4 is a right side view thereof; FIG. 5 is a left side view thereof; FIG. 6 is a top view thereof; FIG. 7 is a bottom view thereof; FIG. 8 is a cross-sectional side view thereof; FIG. 9 is a perspective view of a case showing our new design; FIG. 10 is a front view thereof; FIG. 11 is a rear view thereof; FIG. 12 is a right side view thereof; FIG. 13 is a left side view thereof; FIG. 14 is a top view thereof; FIG. 15 is a bottom view thereof; and, FIG. 16 is a cross-sectional side view thereof.

1 Claim, 10 Drawing Sheets



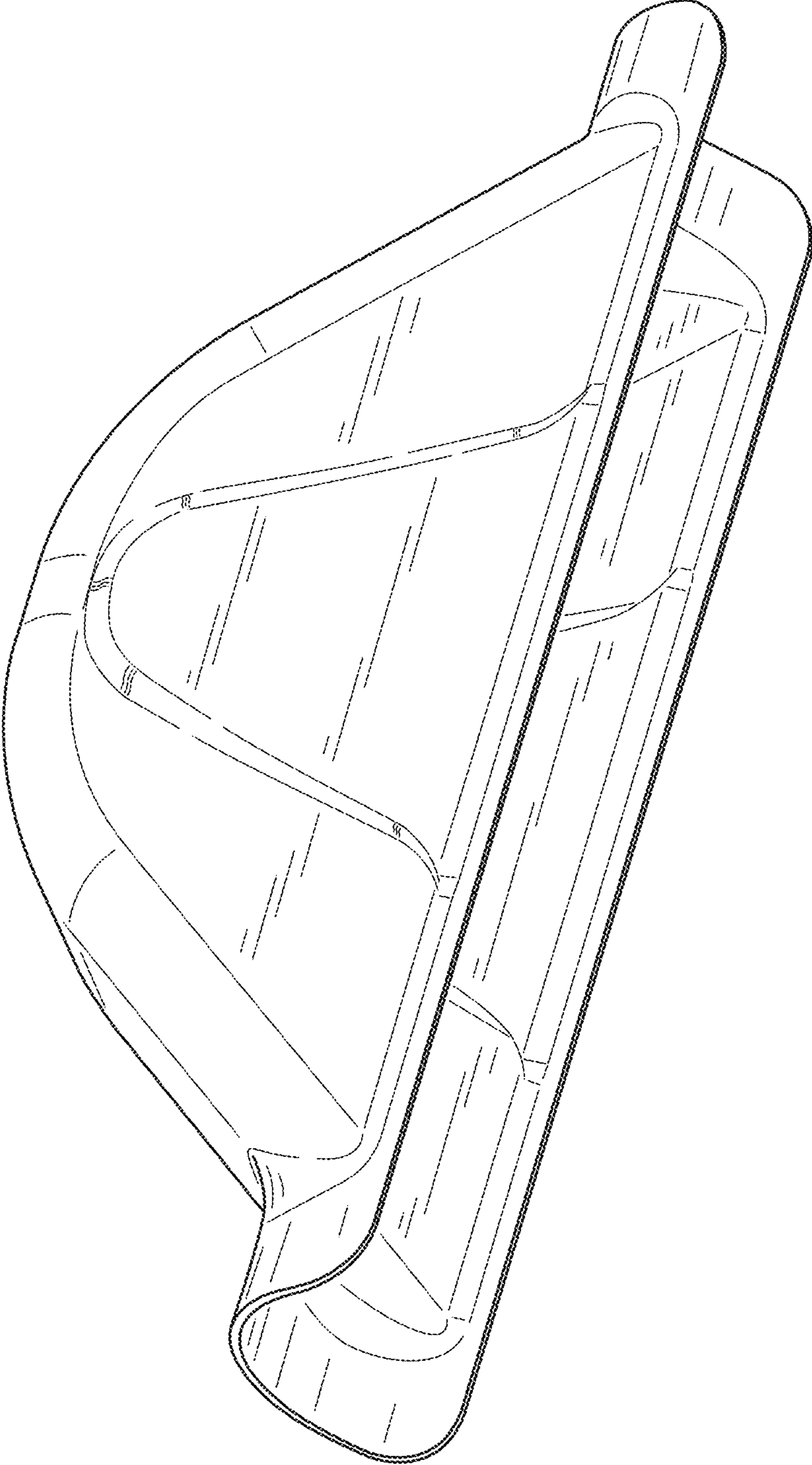


FIG.1

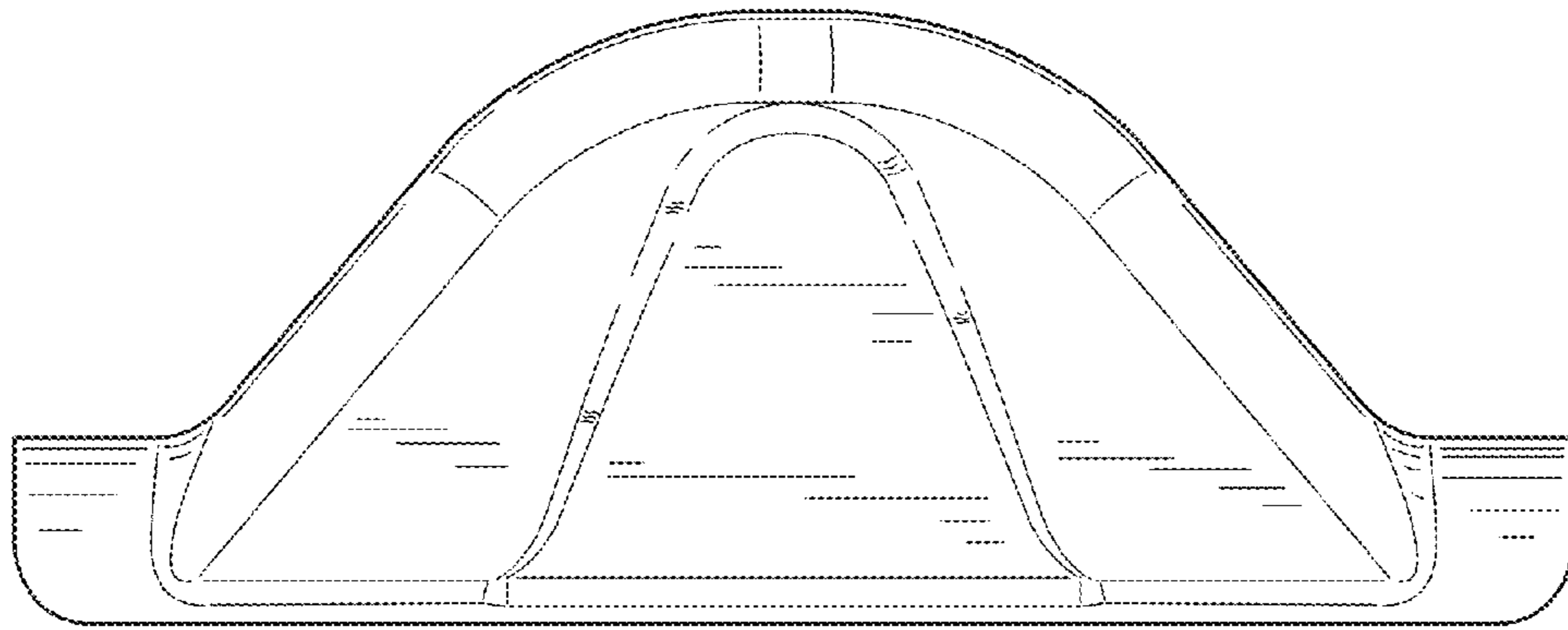


FIG. 2

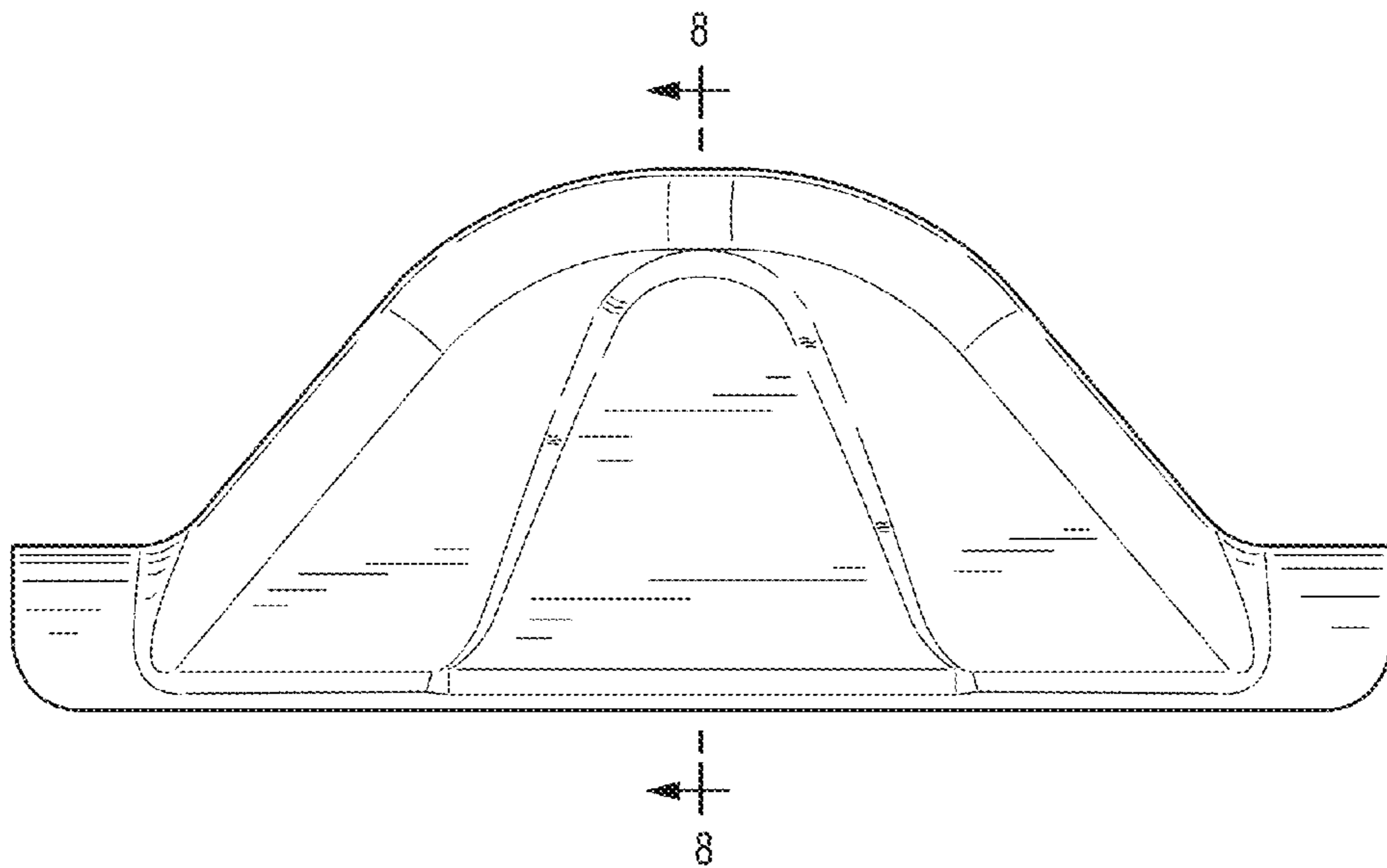


FIG. 3

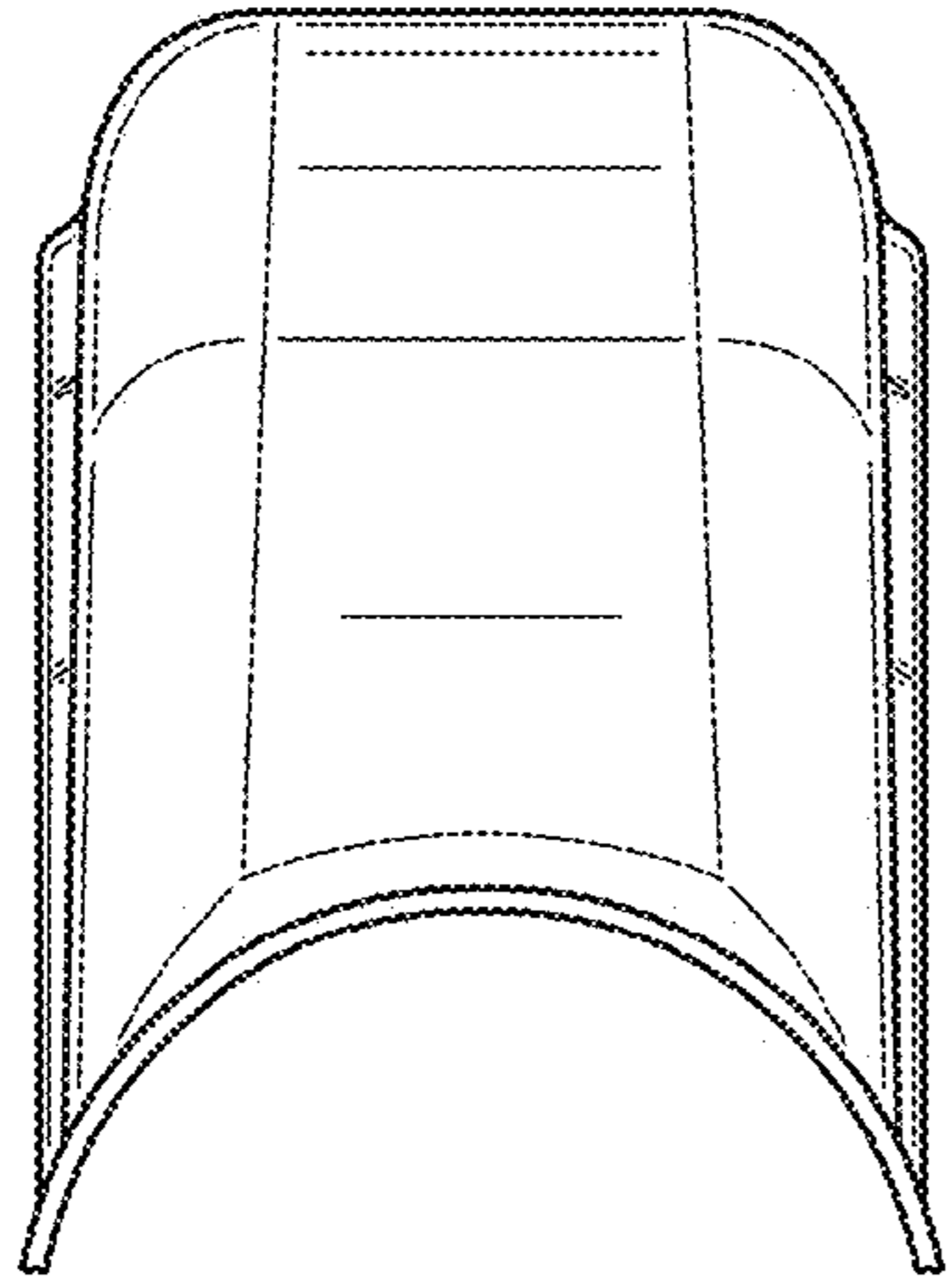


FIG. 4

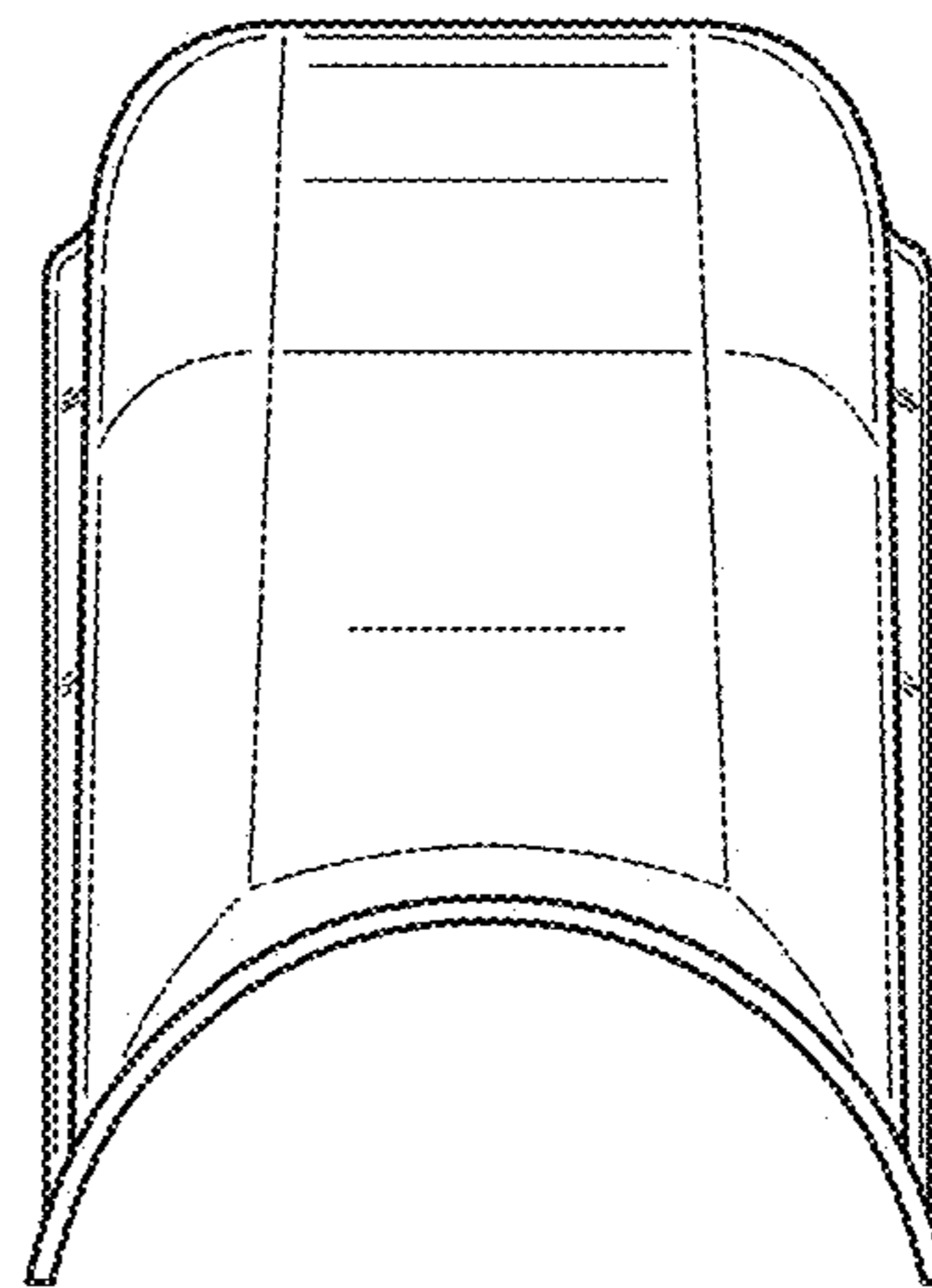


FIG. 5

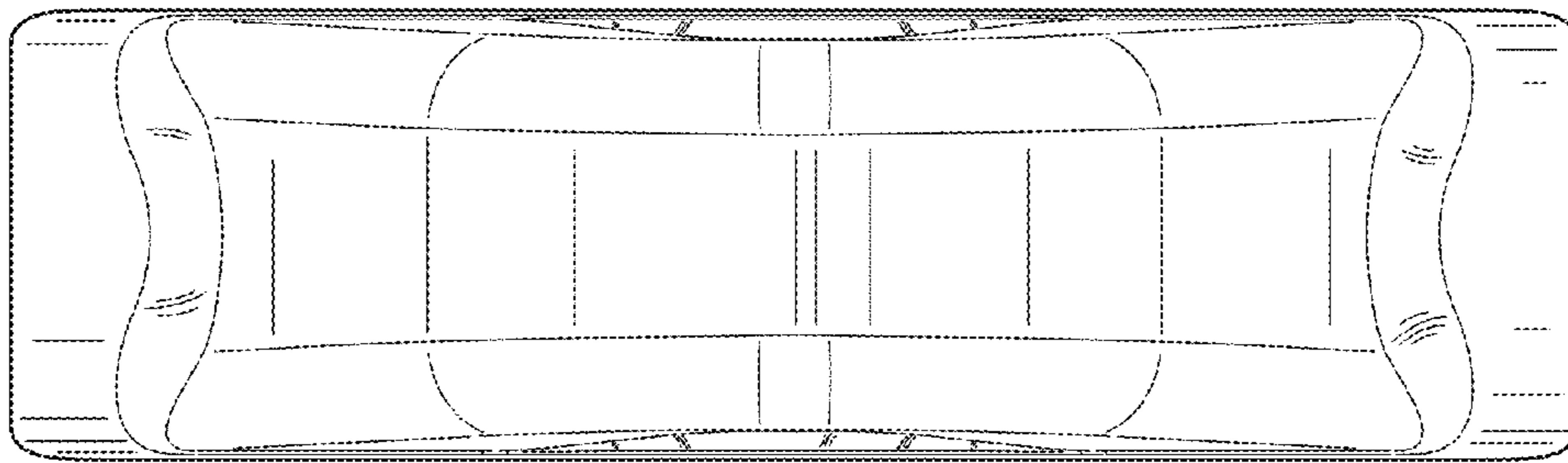


FIG. 6

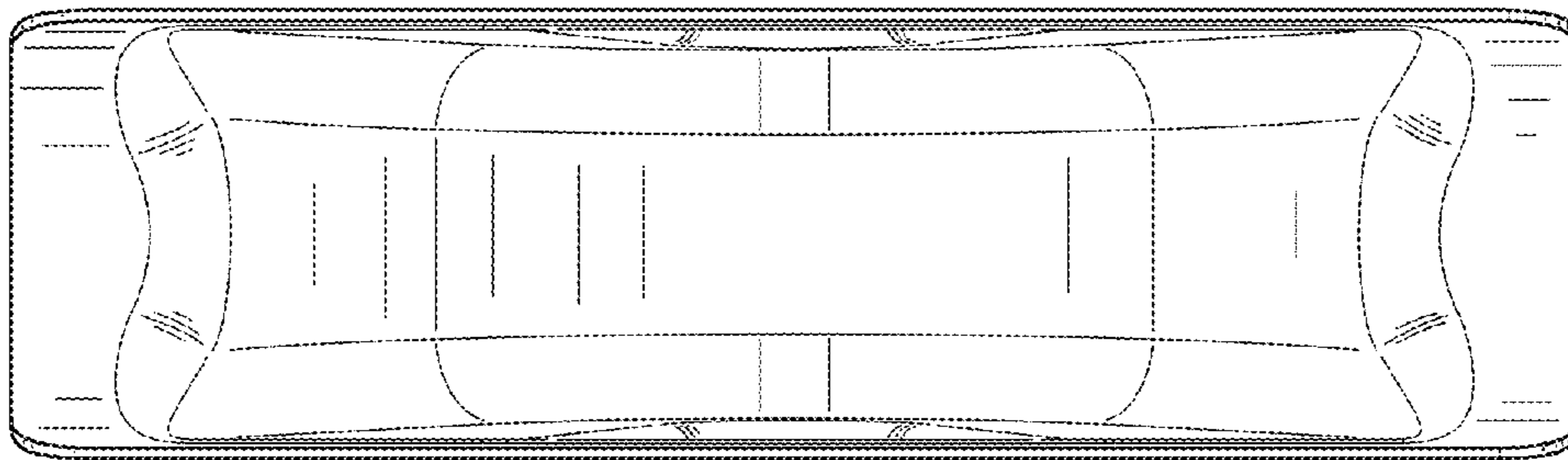


FIG. 7

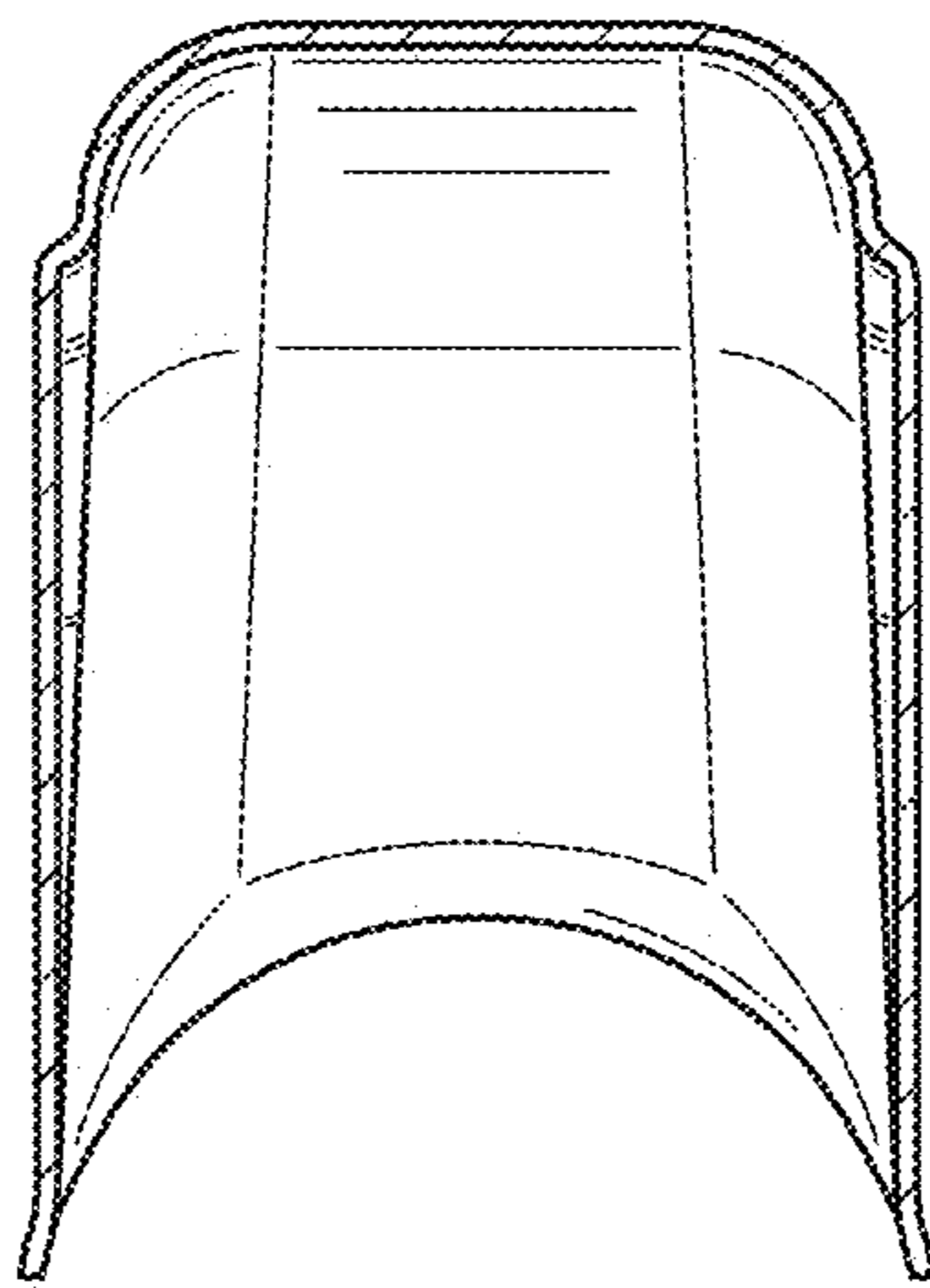


FIG.8

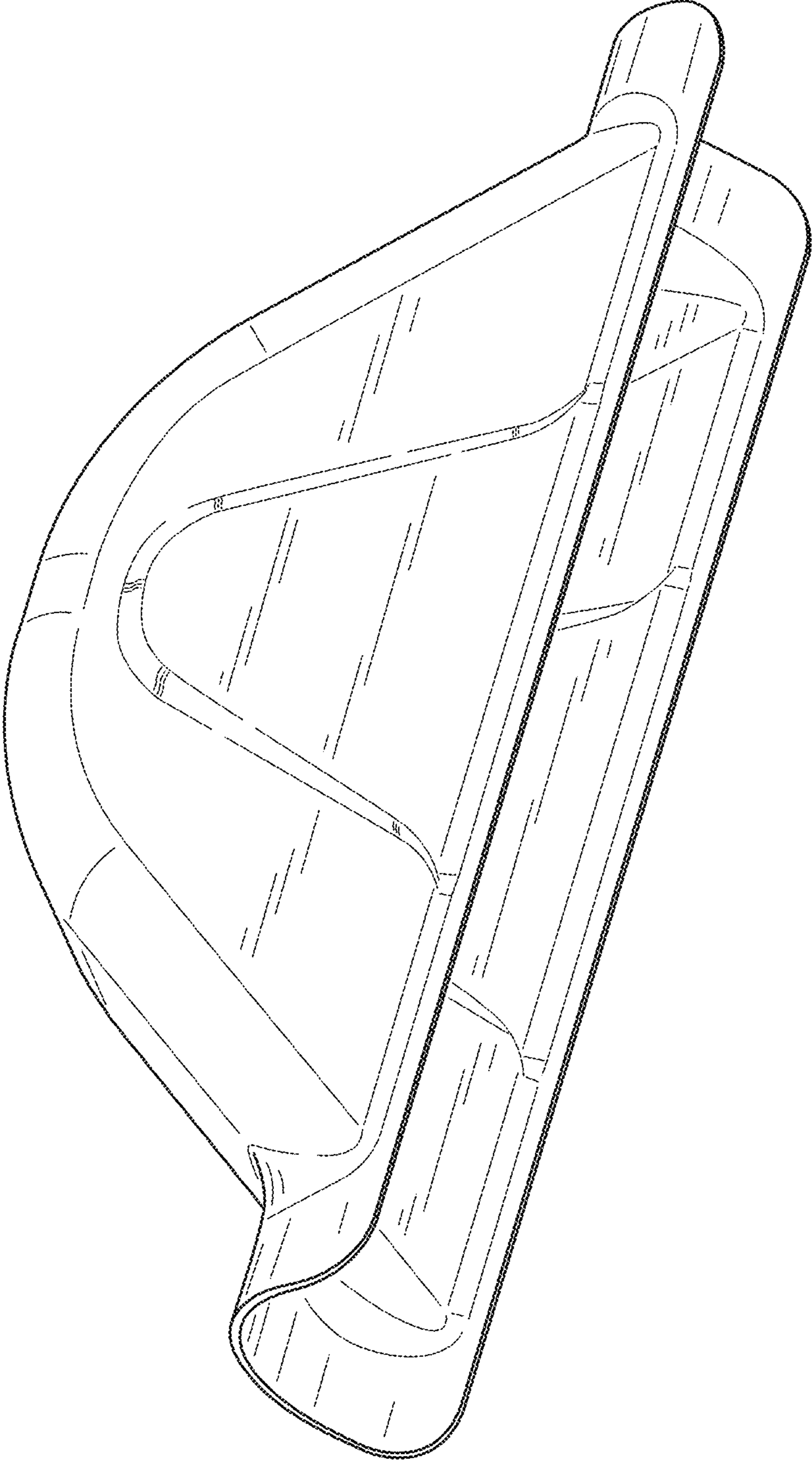


FIG. 9

7/10

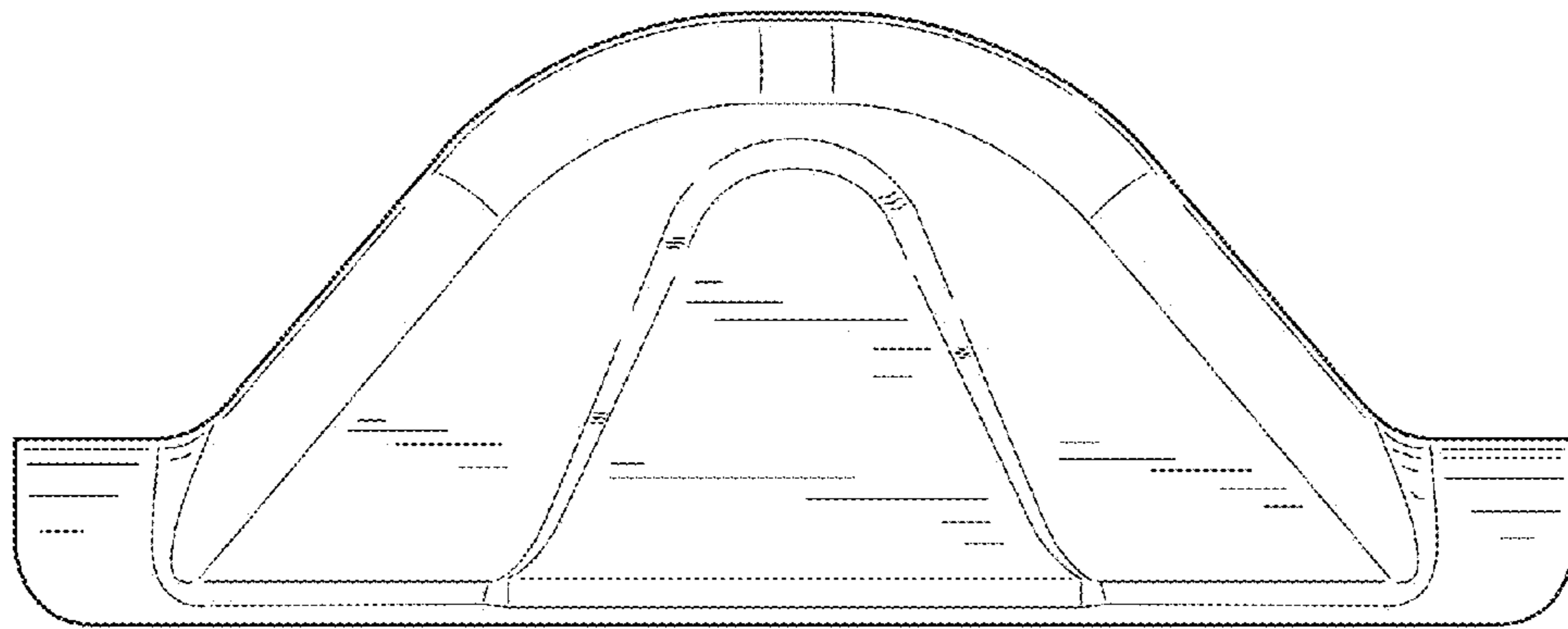
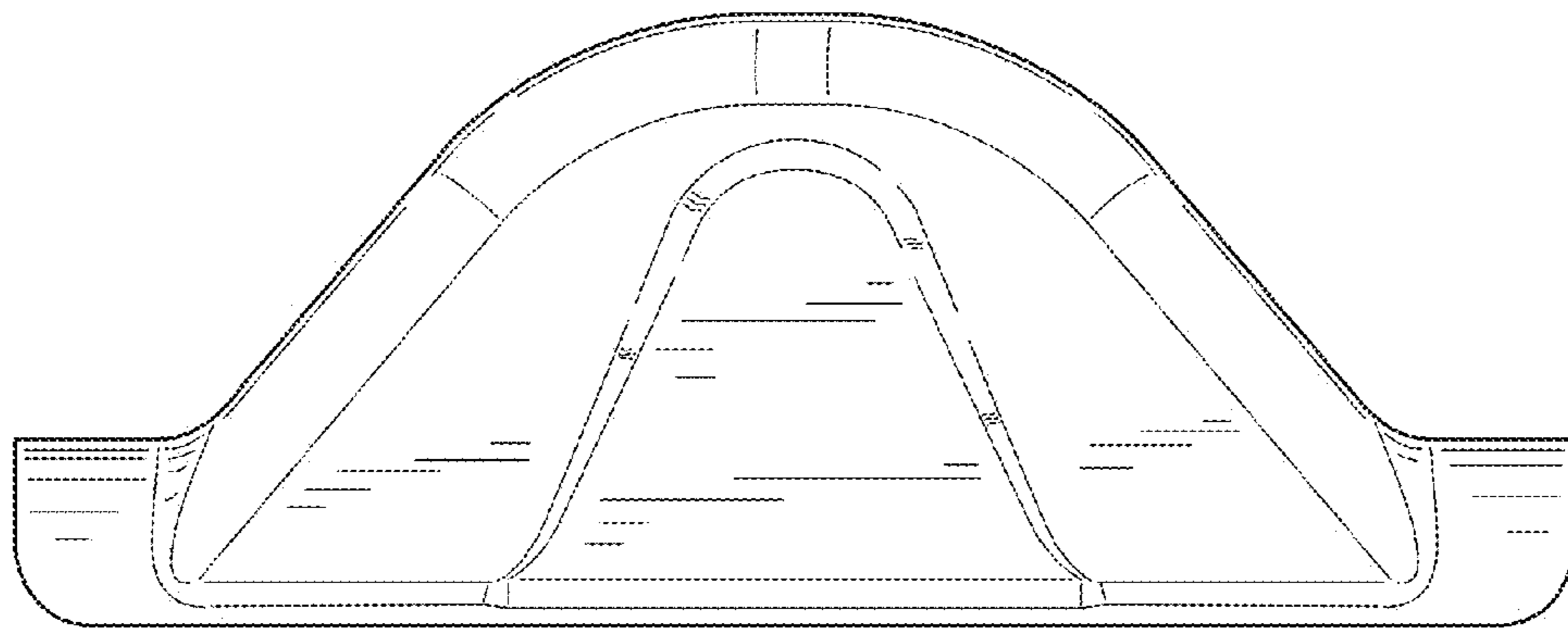


FIG. 10

16
←



↑
16

FIG. 11

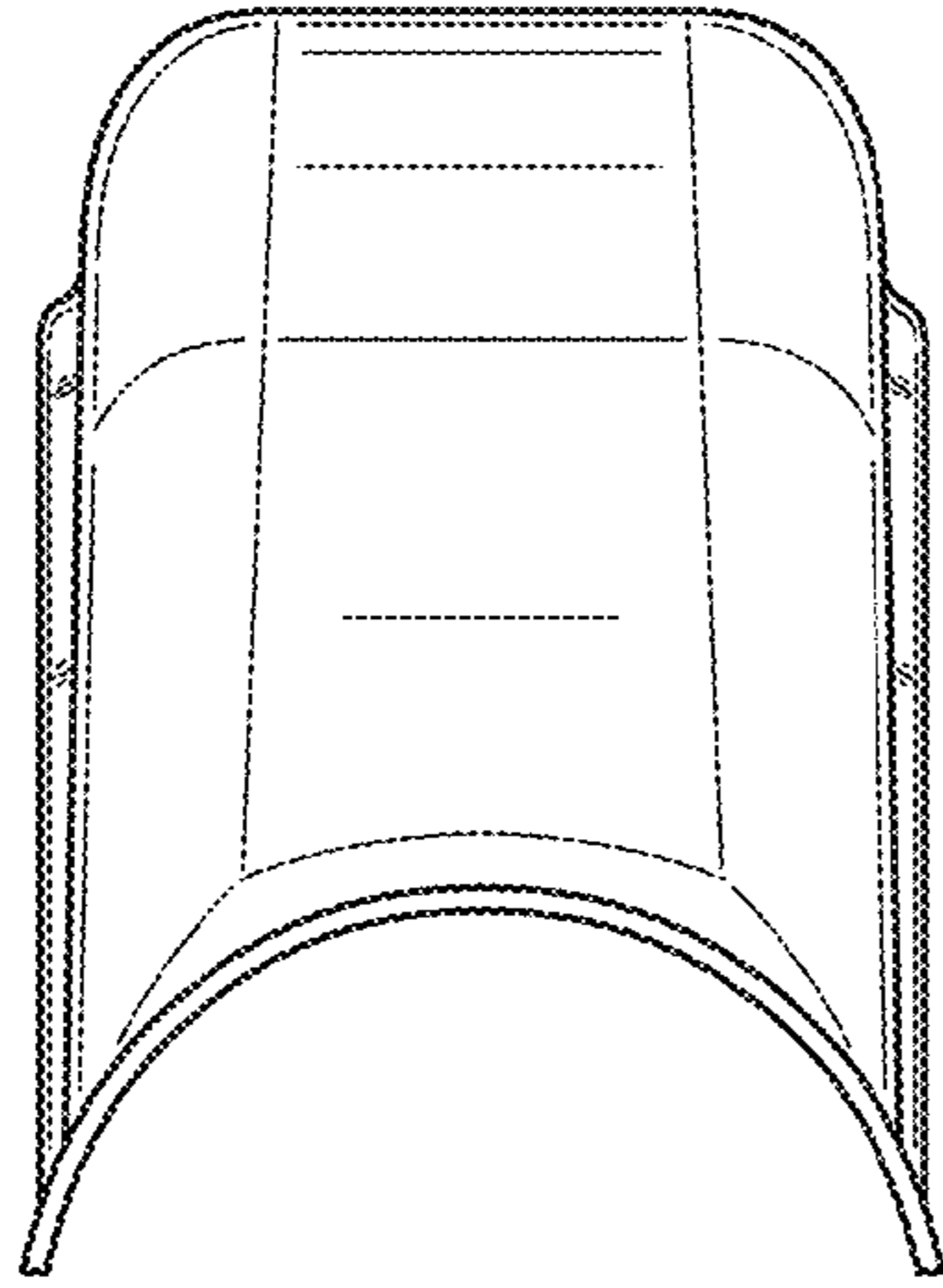


FIG. 12

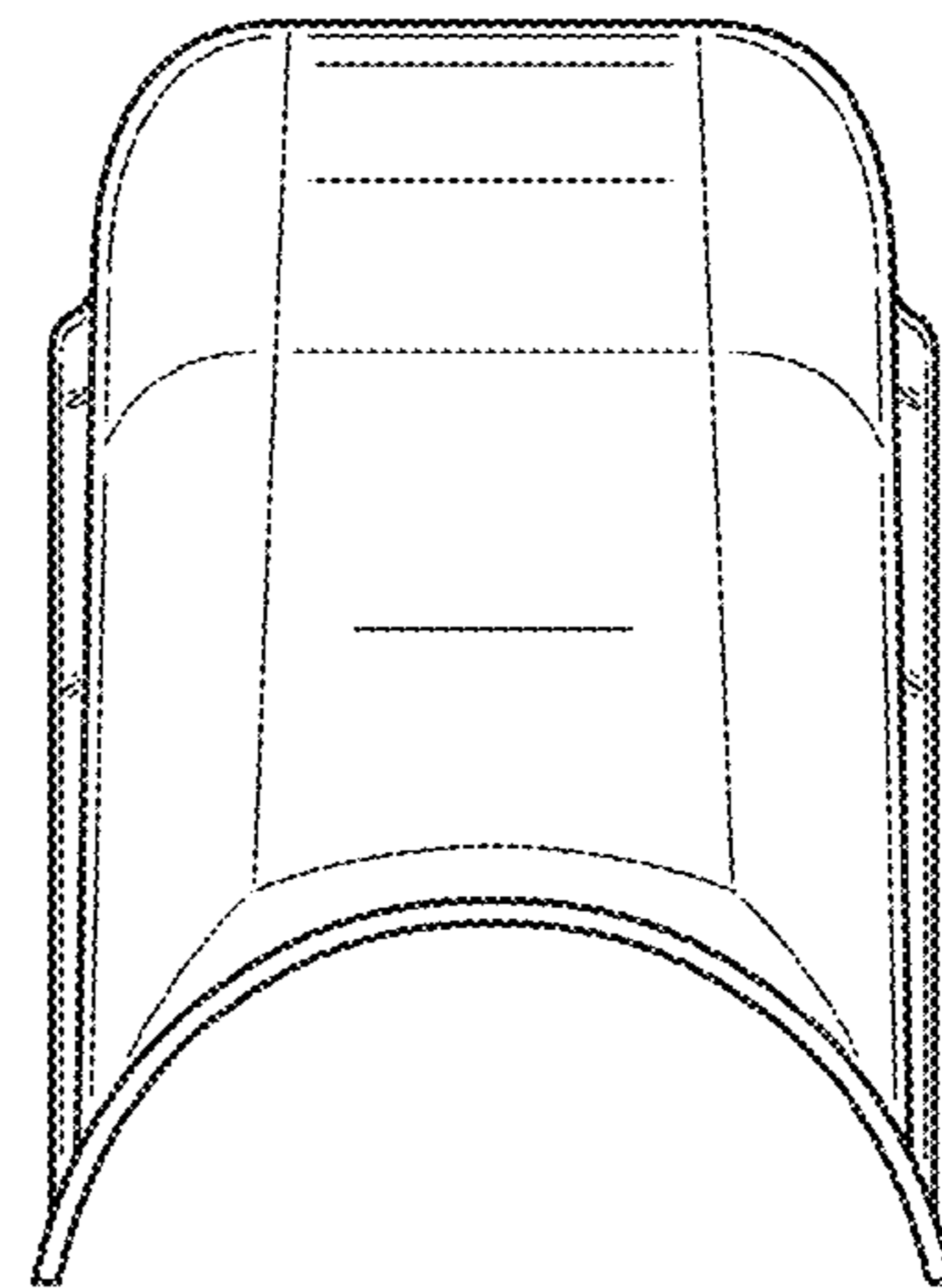


FIG. 13

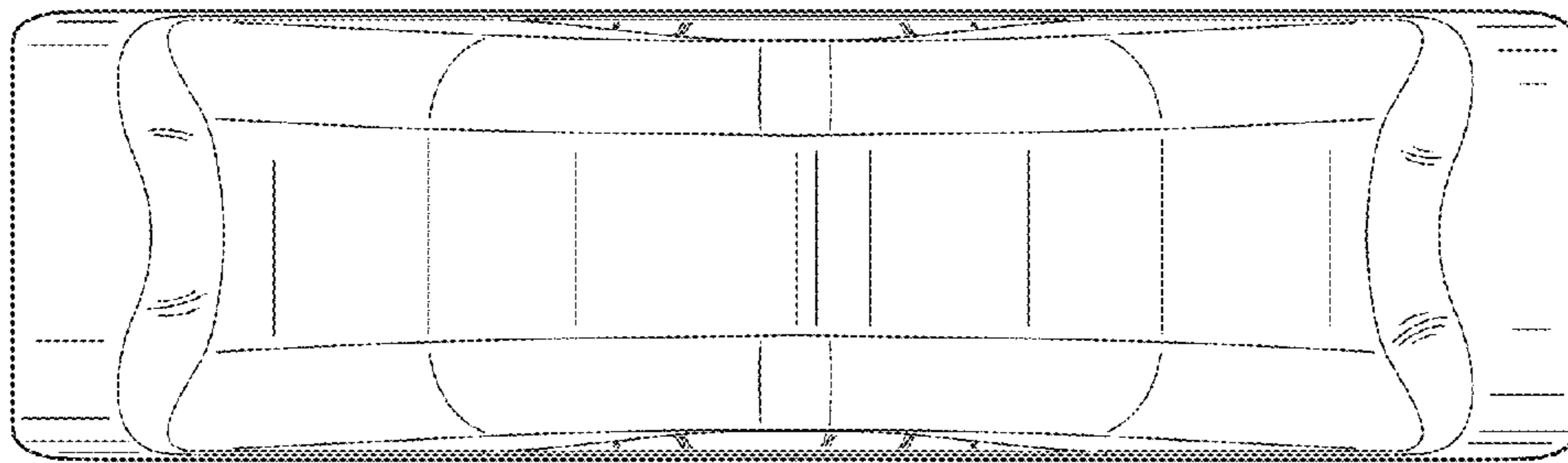


FIG. 14

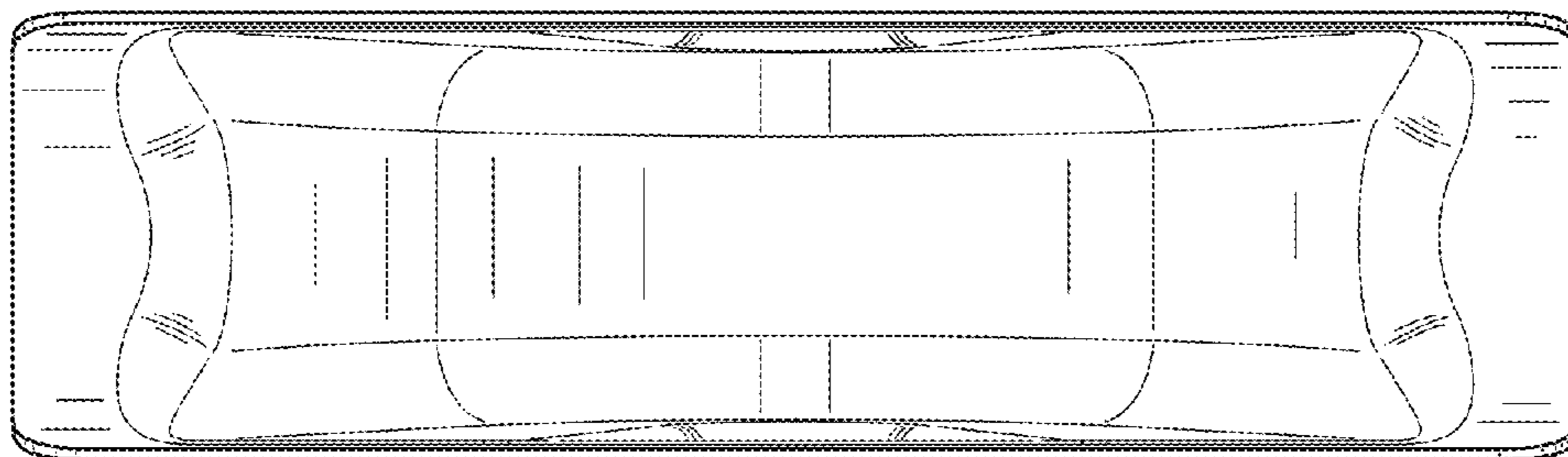


FIG. 15

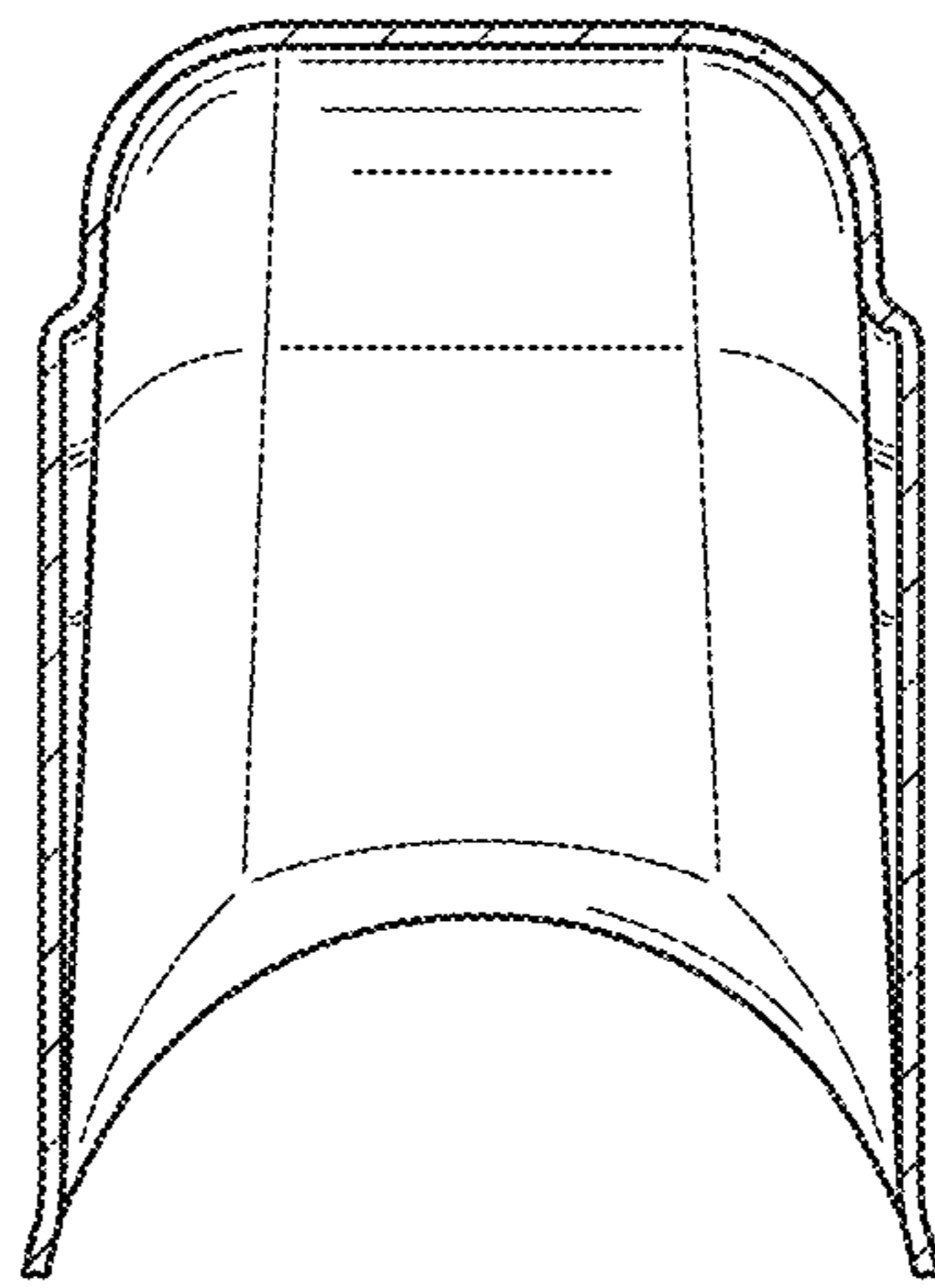


FIG.16