



US00D744361S

(12) **United States Design Patent**
Huang

(10) **Patent No.:** **US D744,361 S**
(45) **Date of Patent:** **** Dec. 1, 2015**

(54) **DIGITAL MULTIMETER**

(56) **References Cited**

(71) Applicant: **Danaher (Shanghai) Industrial Instrumentation Technologies R&D Co., Ltd., Shanghai (CN)**

U.S. PATENT DOCUMENTS

(72) Inventor: **Wei Huang, Shanghai (CN)**

D358,348 S	5/1995	Burgess
5,920,188 A	7/1999	Voorheis
D412,450 S	8/1999	McCain
D419,466 S	1/2000	McCain
D446,735 S	8/2001	McCain
D625,633 S	10/2010	Laurino
8,093,516 B2	1/2012	Worones
8,358,121 B2	1/2013	Hudson
8,374,507 B2 *	2/2013	Hudson et al. 398/115

(73) Assignee: **Danaher (Shanghai) Industrial Instrumentation Technologies R&D Co., Ltd., Shanghai (CN)**

(Continued)

(**) Term: **14 Years**

Primary Examiner — Antoine D Davis

(21) Appl. No.: **29/519,895**

(74) *Attorney, Agent, or Firm* — Seed IP Law Group PLLC

(22) Filed: **Mar. 9, 2015**

(57) **CLAIM**

The ornamental design for a digital multimeter, as shown and described.

Related U.S. Application Data

(63) Continuation of application No. 29/476,735, filed on Dec. 16, 2013, now Pat. No. Des. 723,959.

DESCRIPTION

(30) **Foreign Application Priority Data**

Jun. 19, 2013 (CN) 2013 3 0263537

(51) **LOC (10) Cl.** **10-04**

(52) **U.S. Cl.**
USPC **D10/78**

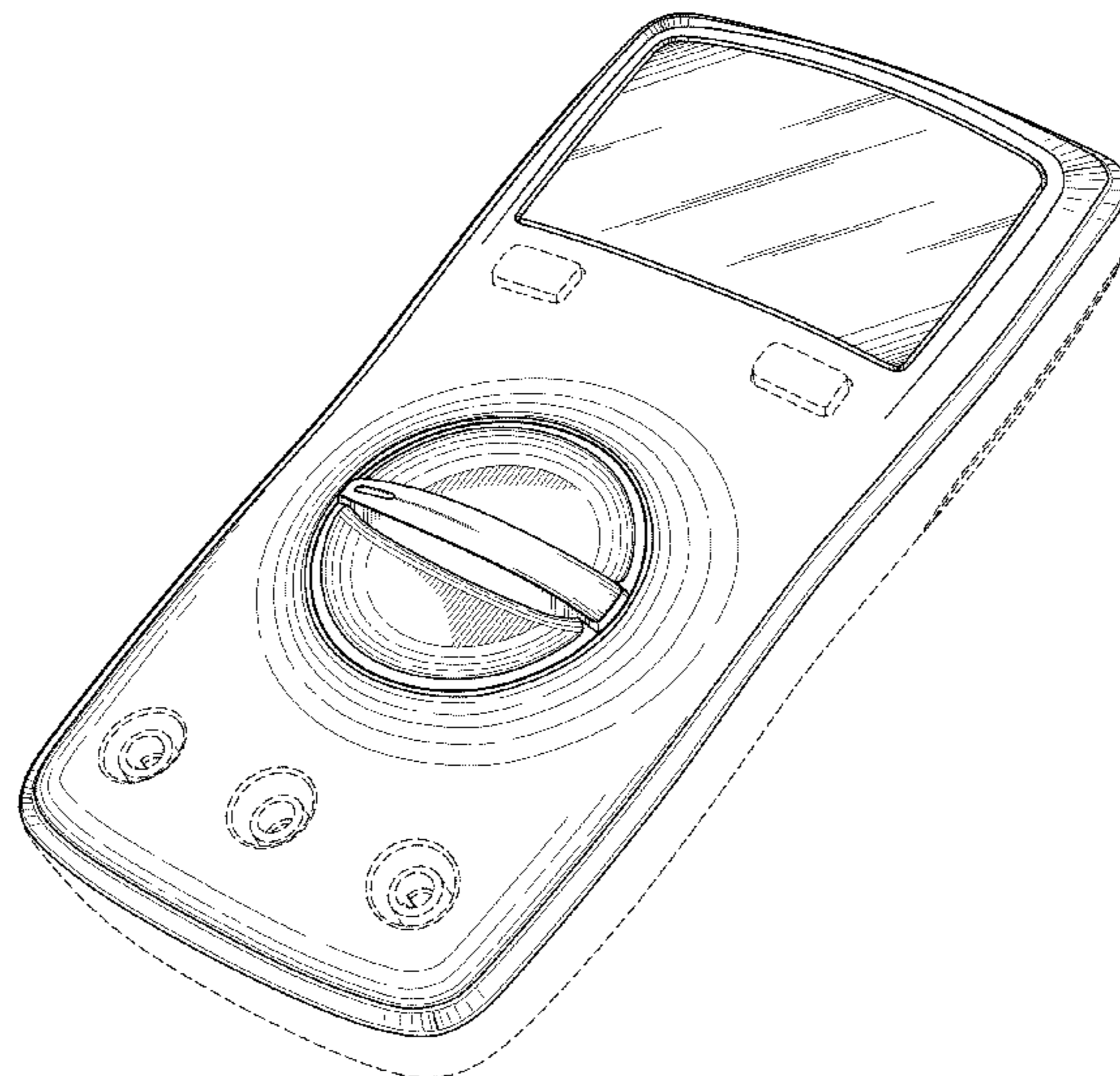
(58) **Field of Classification Search**
USPC D10/78; 324/66, 67, 158 P, 539–542, 324/72.5, 556, 133, 149, 503, 543, 555, 72, 324/754, 115, 141, 114, 145, 156, 508, 116, 324/99 D; 379/21, 60, 66, 96, 379/106.01–106.11; 340/635, 687, 654; 73/866.5; 200/11 R, 11 DA, 336, 341; 361/679.01

CPC G01R 1/22; G01R 1/04; G01R 15/02; G01R 15/181; G01R 15/186; G01R 15/12; G01R 15/125; G01D 11/24; G06F 17/00

See application file for complete search history.

FIG. 1 is a front elevation view of a digital multimeter showing my new design;
FIG. 2 is a rear elevation view thereof;
FIG. 3 is a left side elevation view thereof;
FIG. 4 is a right side elevation view thereof;
FIG. 5 is a top plan view thereof;
FIG. 6 is a bottom plan view thereof;
FIG. 7 is a bottom front right perspective view thereof;
FIG. 8 is a front elevation view of another embodiment of a digital multimeter showing my new design;
FIG. 9 is a rear elevation view thereof;
FIG. 10 is a left side elevation view thereof;
FIG. 11 is a right side elevation view thereof;
FIG. 12 is a top plan view thereof;
FIG. 13 is a bottom plan view thereof; and
FIG. 14 is a bottom front right perspective view thereof.
Broken lines shown in the drawings illustrate environmental subject matter and form no part of the claimed design.

1 Claim, 10 Drawing Sheets



(56)

References Cited

U.S. PATENT DOCUMENTS

8,405,380 B2 3/2013 Marzynski
D684,873 S 6/2013 Steinich
8,466,671 B2 6/2013 Worones
D704,579 S 5/2014 Heishi
D705,099 S 5/2014 Heishi

D705,681 S 5/2014 Morishita
8,755,173 B2 6/2014 Laurino
D723,401 S * 3/2015 Shen D10/78
D723,959 S * 3/2015 Huang D10/78
8,981,759 B2 * 3/2015 Heishi et al. 324/115
8,983,785 B2 * 3/2015 Panko 702/67
D731,908 S * 6/2015 Huang D10/78

* cited by examiner

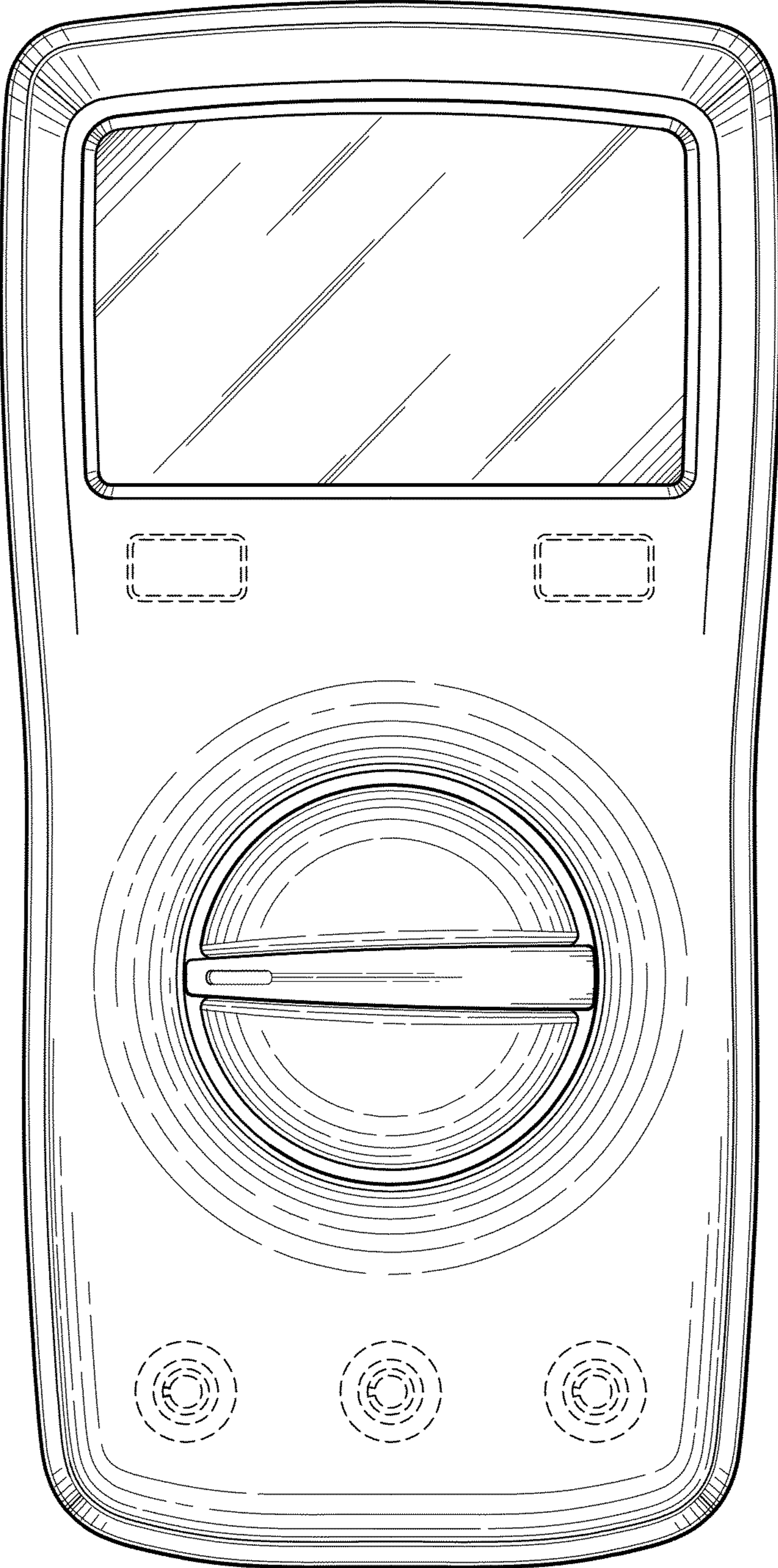


Fig. 1.

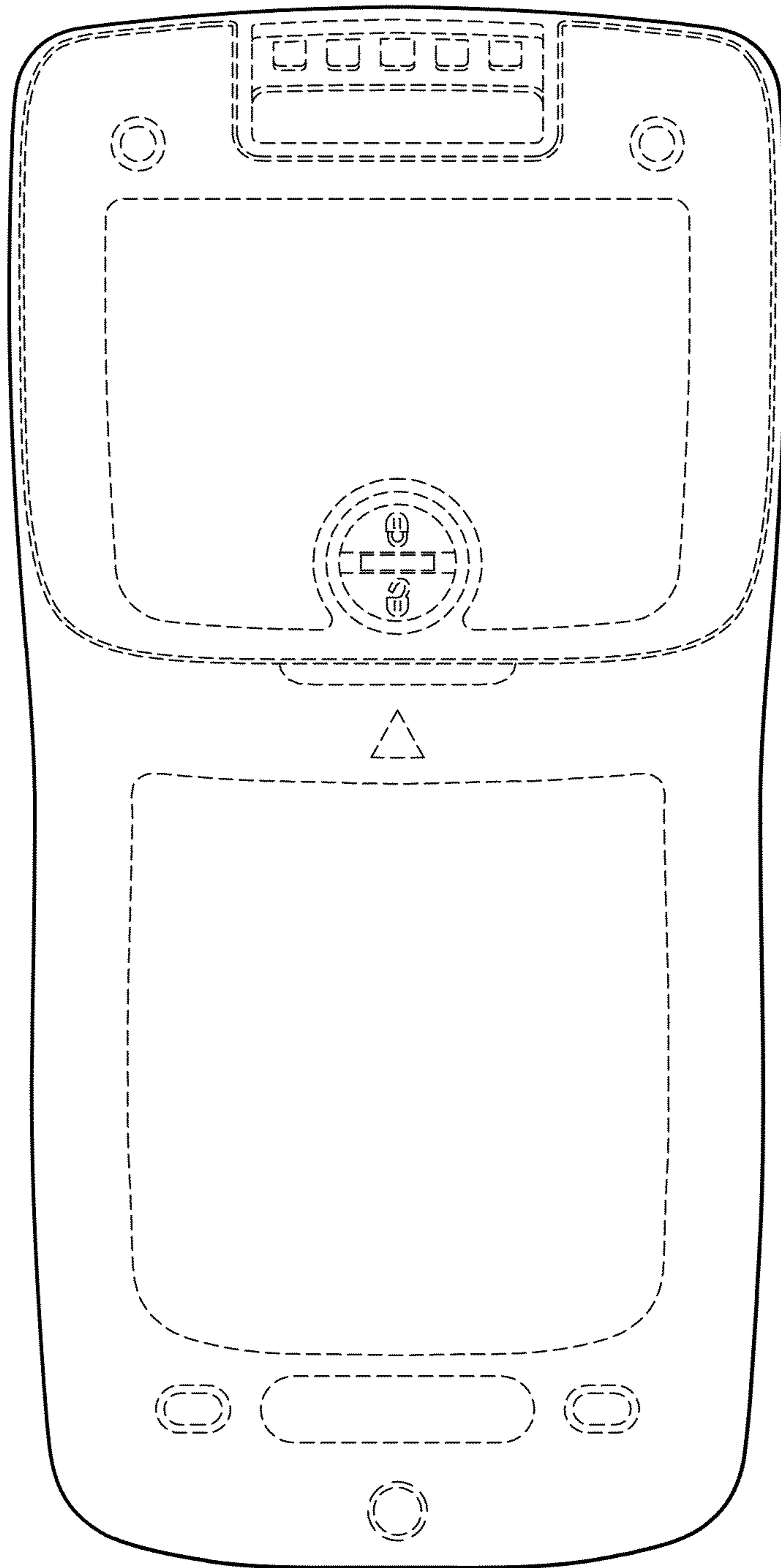


Fig. 2.

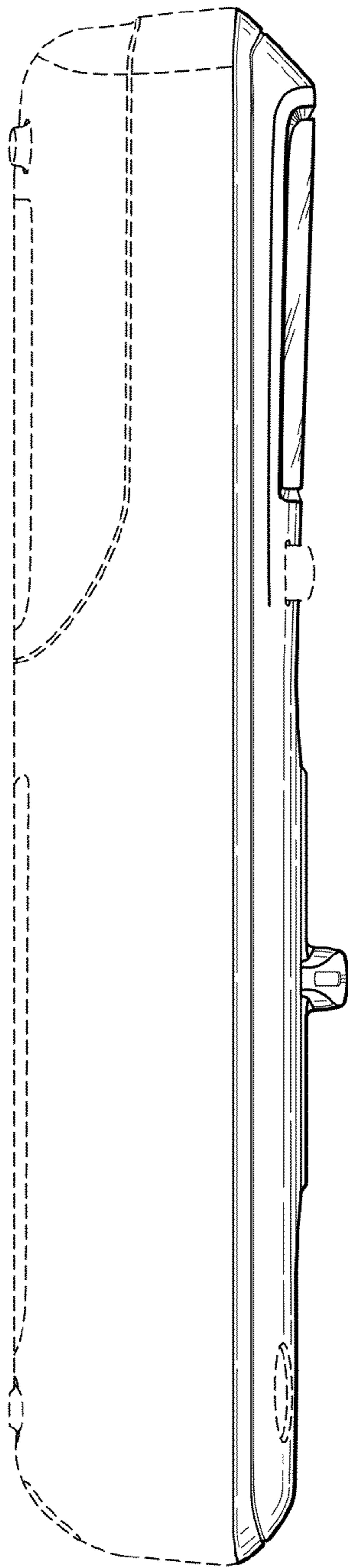


Fig. 3.

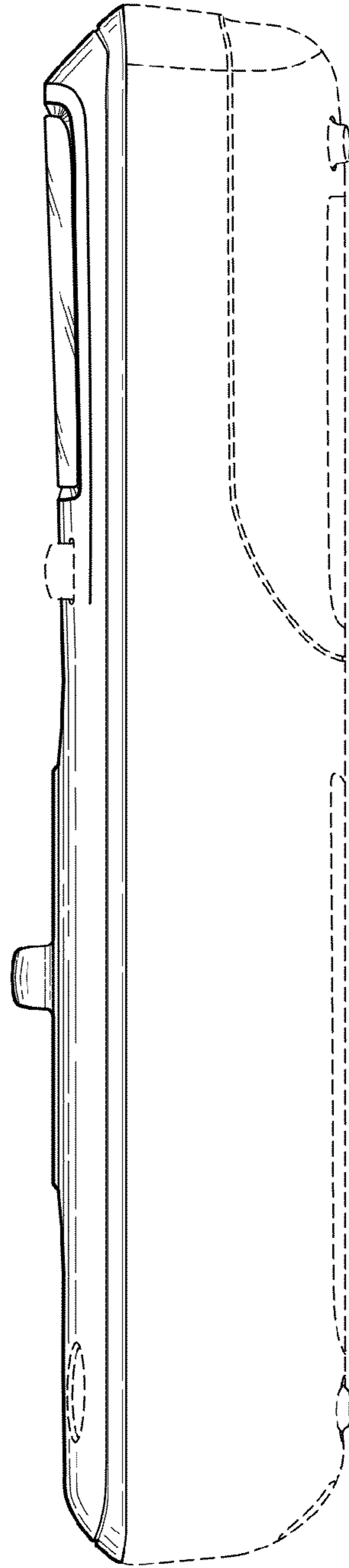


Fig. 4.

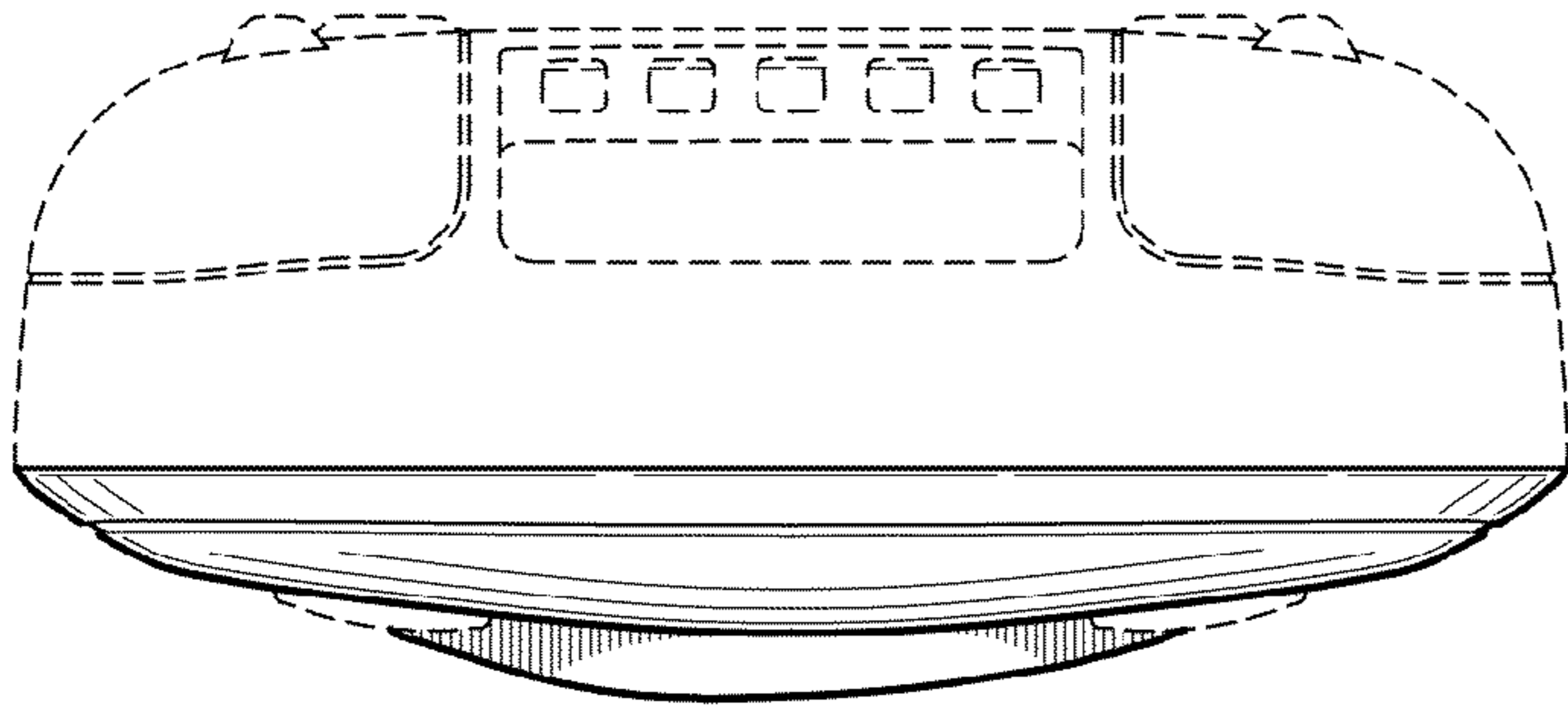


Fig. 5.

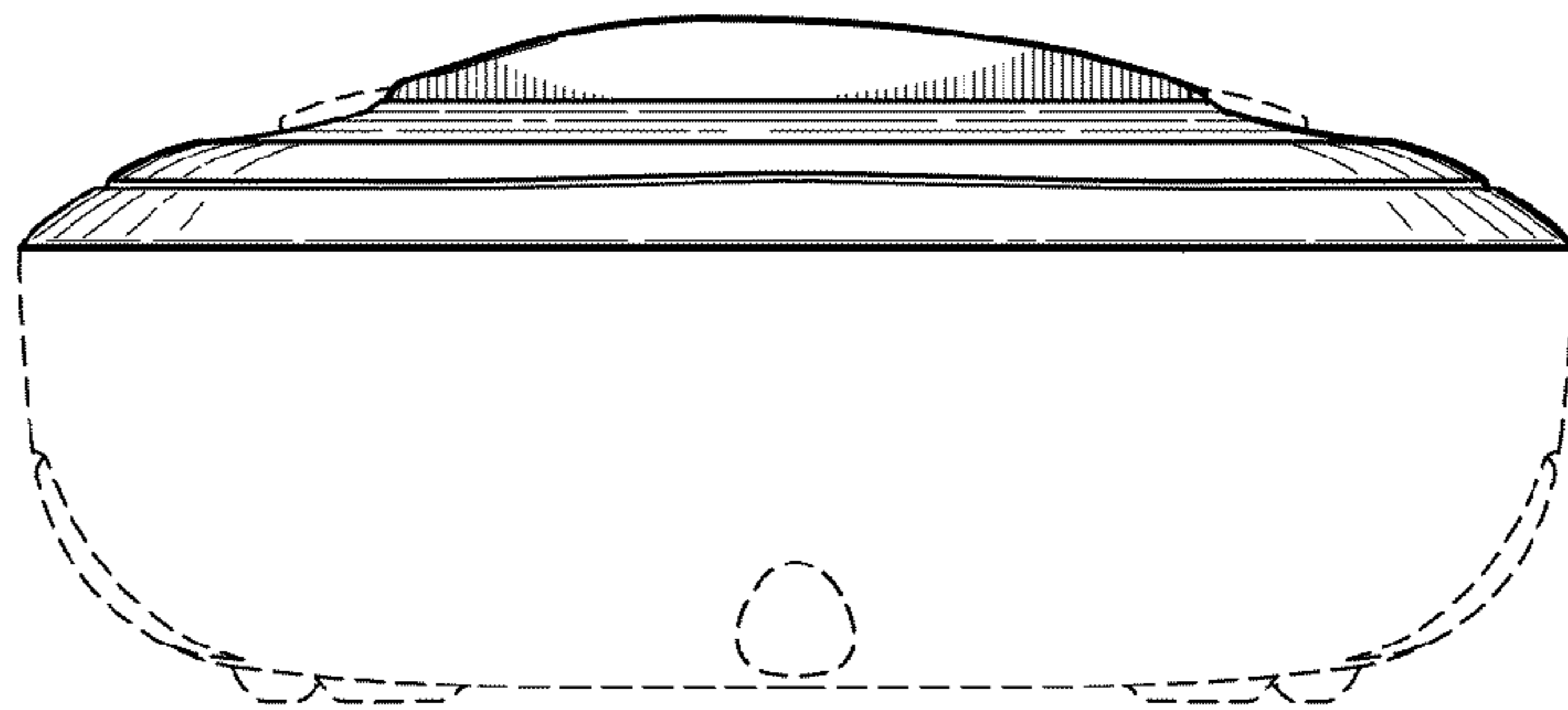


Fig. 6.

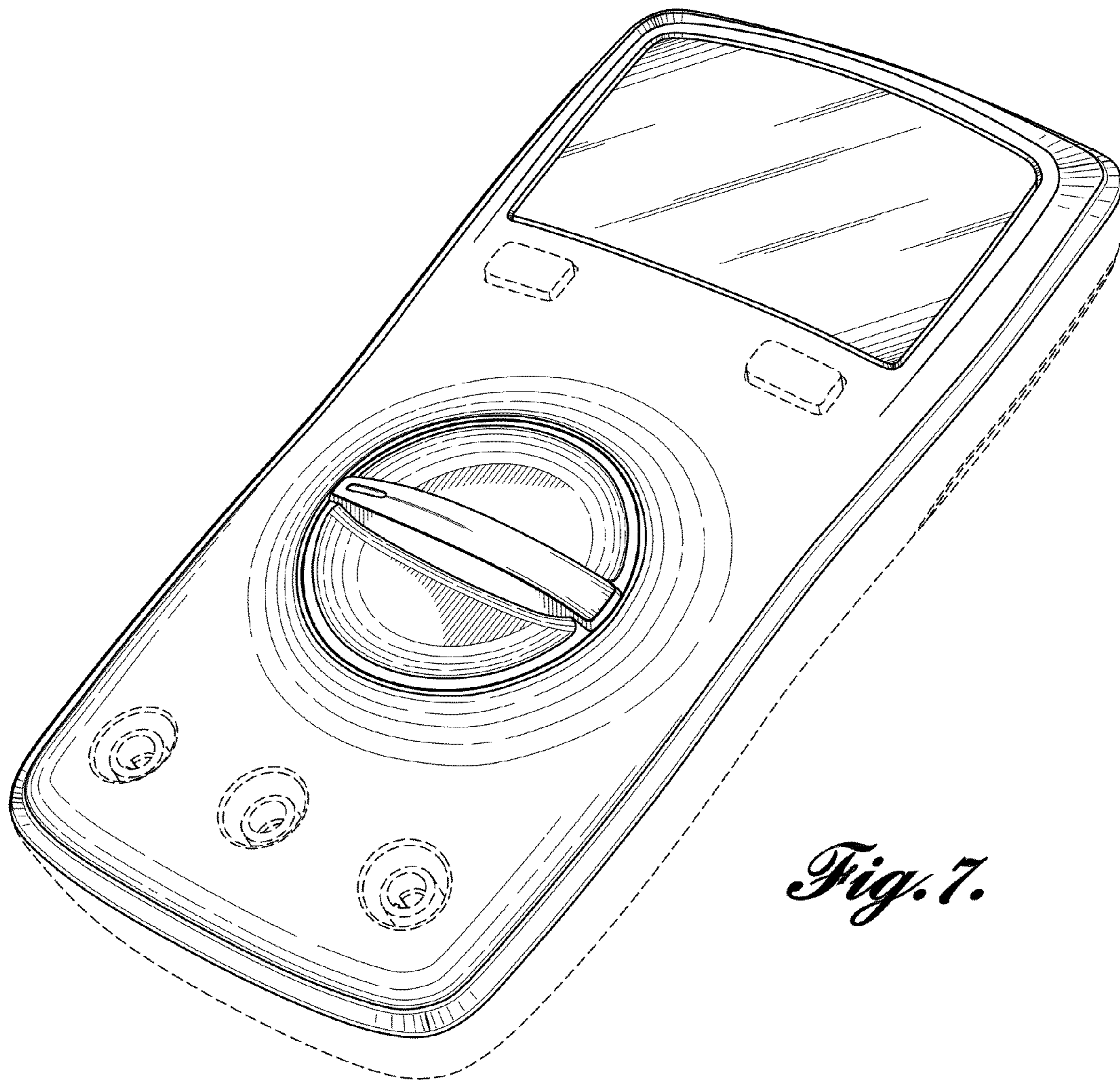


Fig. 7.

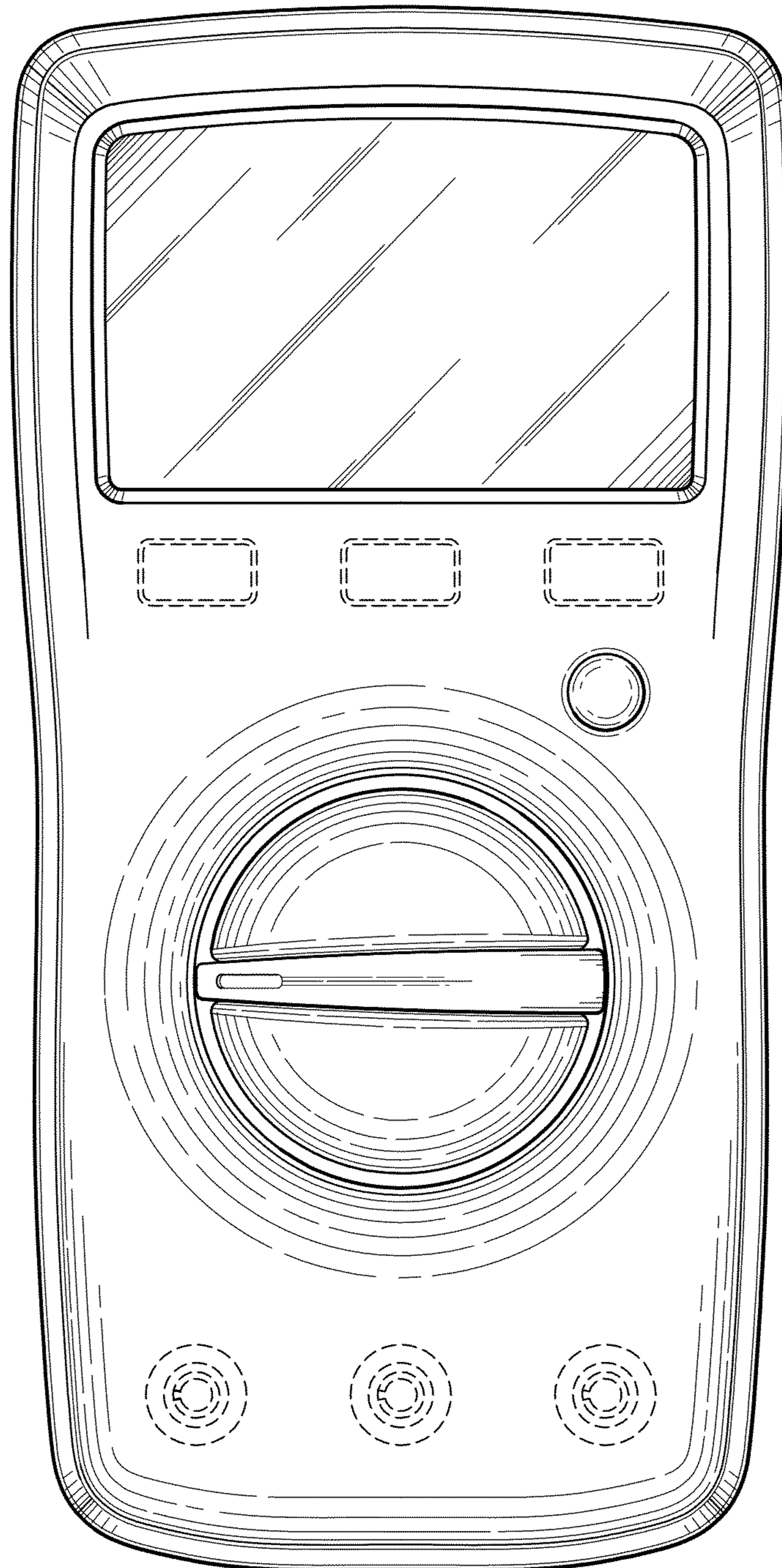


Fig. 8.

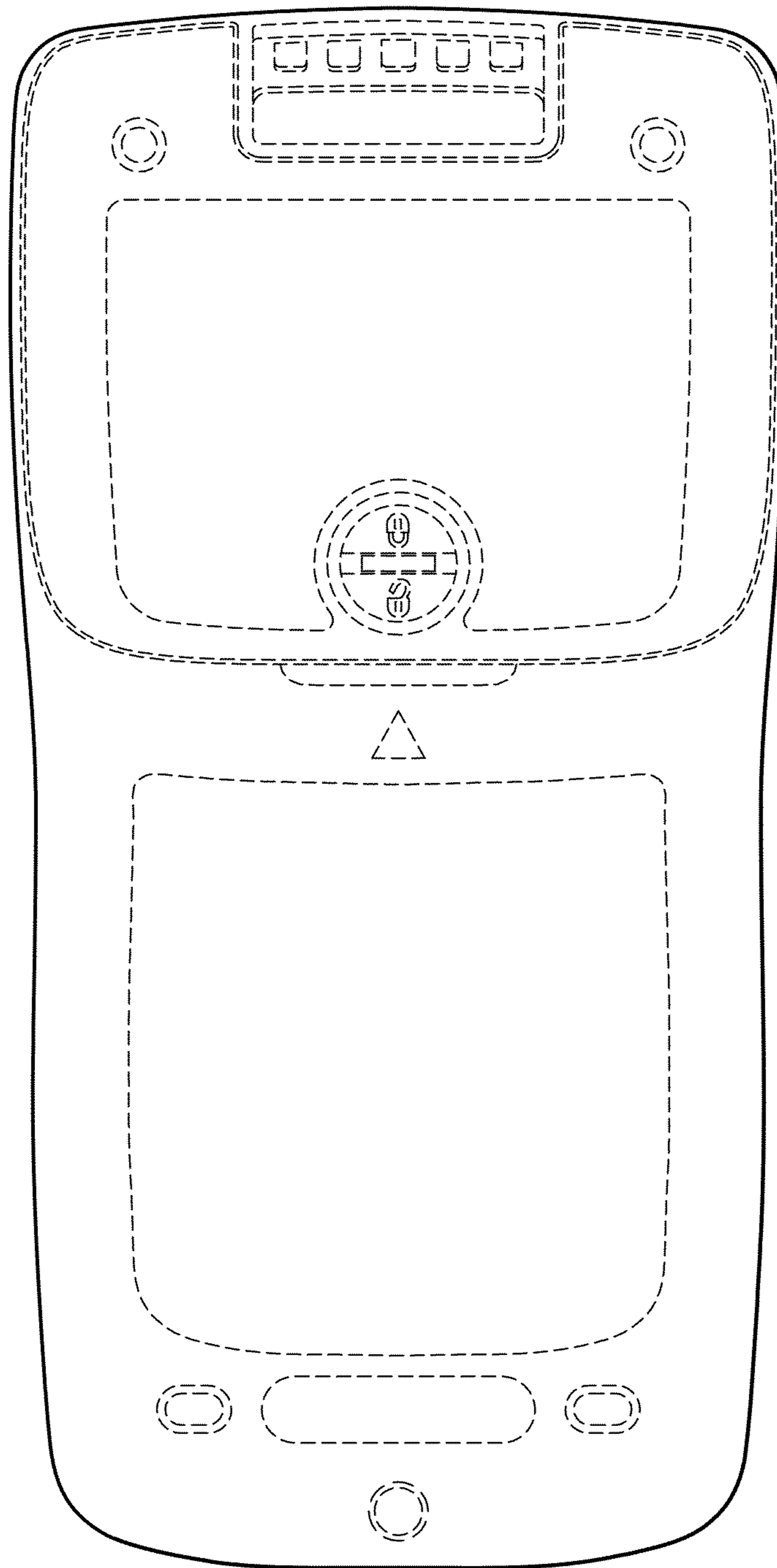


Fig. 9.

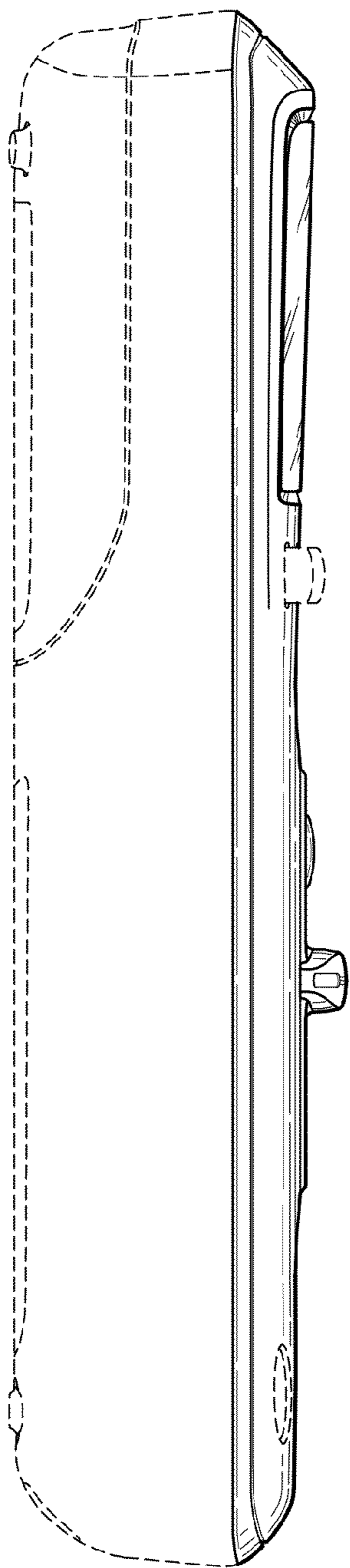


Fig. 10.

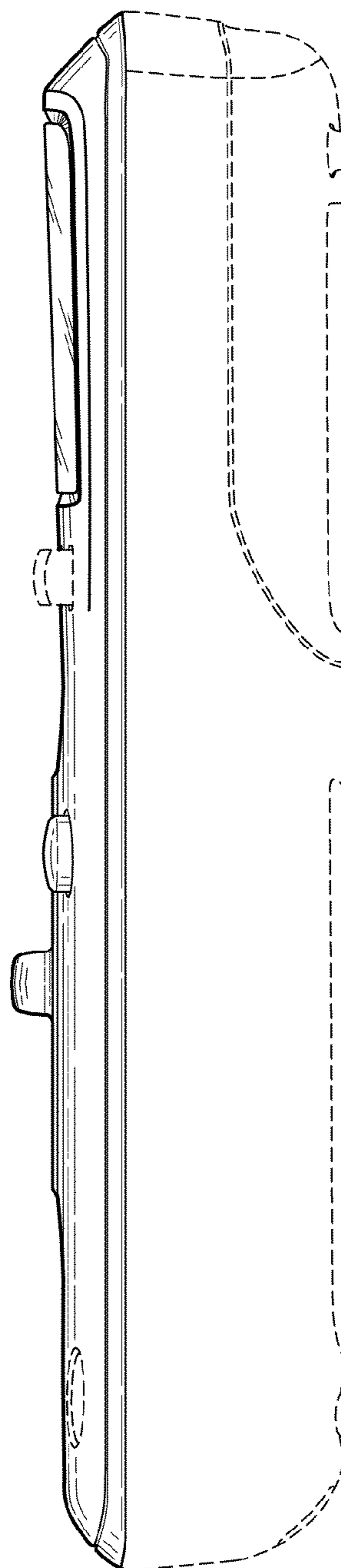


Fig. 11.

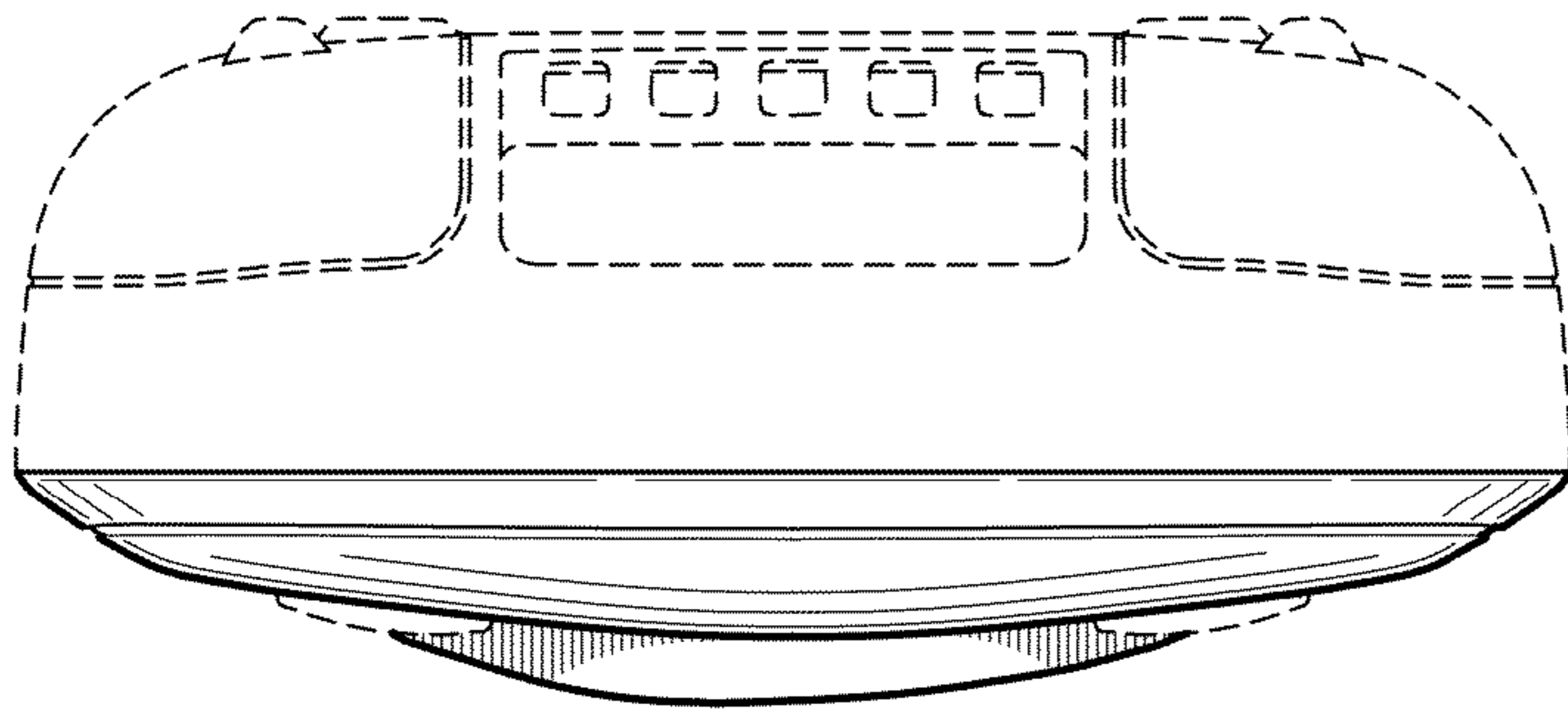


Fig. 12.

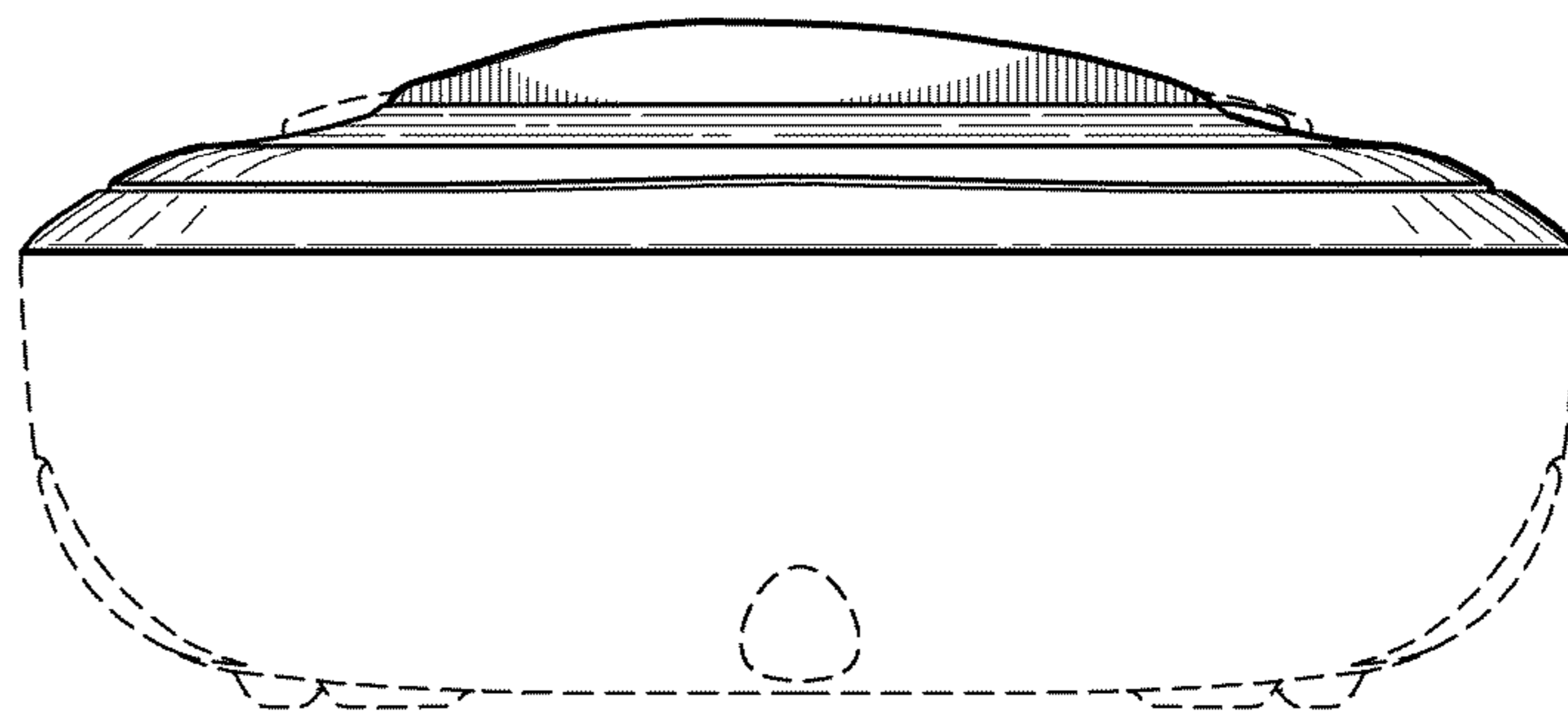


Fig. 13.

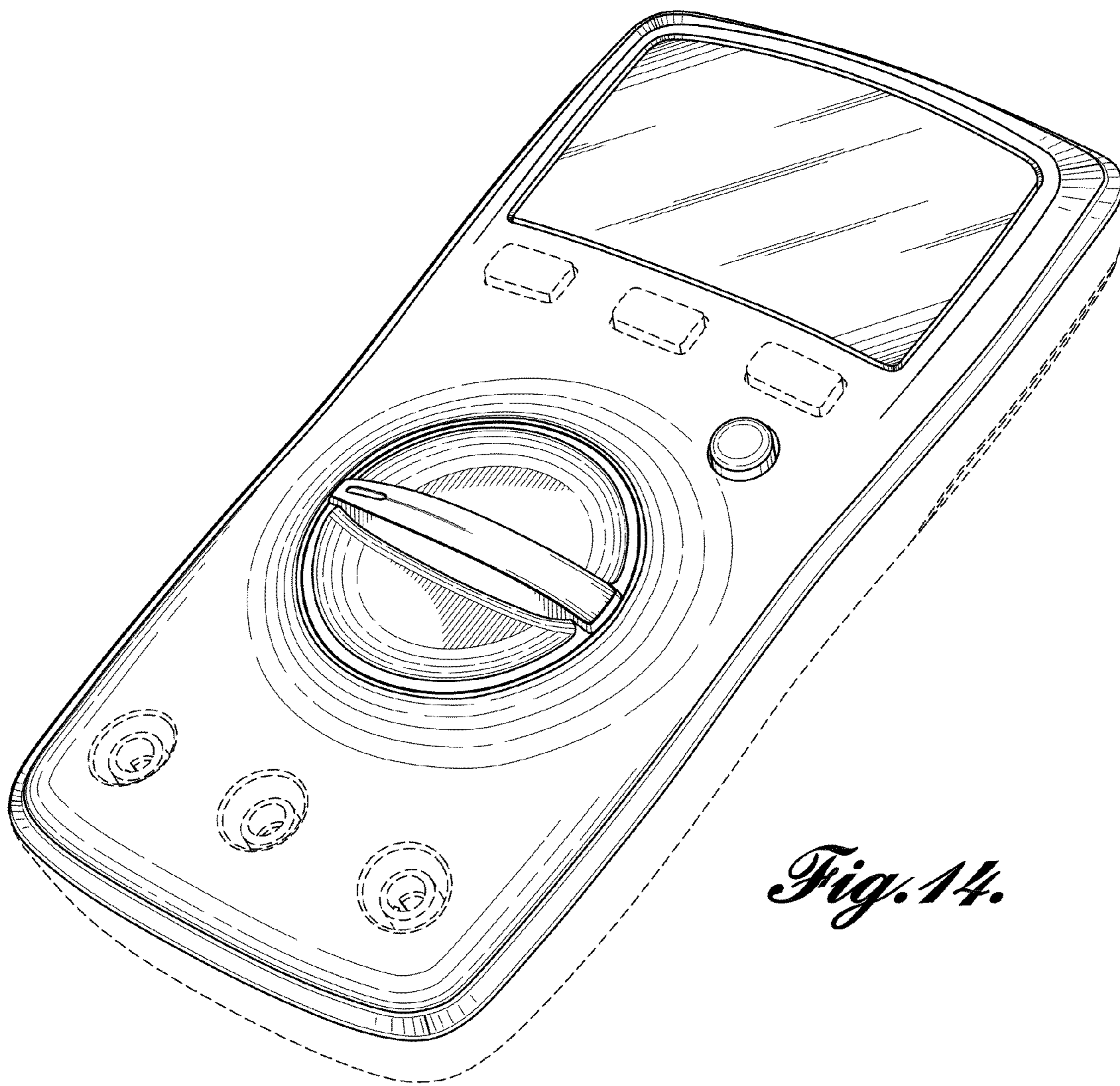


Fig. 14.