



US00D744360S

(12) **United States Design Patent**
Makino

(10) **Patent No.:** **US D744,360 S**
(45) **Date of Patent:** **** Dec. 1, 2015**

(54) **PROBE FOR PEENING INSPECTION**

(71) Applicant: **Sintokogio, Ltd.**, Nagoya-shi, Aichi (JP)

(72) Inventor: **Yoshiyasu Makino**, Toyokawa (JP)

(73) Assignee: **Sintokogio, Ltd.** (JP)

(**) Term: **14 Years**

(21) Appl. No.: **29/495,016**

(22) Filed: **Jun. 26, 2014**

(30) **Foreign Application Priority Data**

Jan. 6, 2014 (JP) 2014-000018

(51) **LOC (10) Cl.** **10-04**

(52) **U.S. Cl.**
USPC **D10/78**

(58) **Field of Classification Search**
USPC D10/46, 75, 78.8; 324/240
CPC G01N 27/82; G01N 27/83; G01N 27/87;
G01N 27/90; G01N 27/9006; G01N 27/9033;
G01N 27/9026; G01N 27/902; G01N 27/9013
See application file for complete search history.

(56) **References Cited**

U.S. PATENT DOCUMENTS

D572,158 S * 7/2008 Radecke et al. D10/75
D577,300 S * 9/2008 Radecke et al. D10/75
2012/0049842 A1 * 3/2012 Setbacken et al. 324/240
2015/0002144 A1 * 1/2015 Boecker et al. 324/240

* cited by examiner

Primary Examiner — Antoine D Davis

(74) *Attorney, Agent, or Firm* — Saidman DesignLaw Group, LLC

(57) **CLAIM**

The ornamental design for a probe for peening inspection, as shown and described.

DESCRIPTION

FIG. 1 is a front bottom perspective view of a probe for peening inspection showing my new design; FIG. 2 is a front view thereof; FIG. 3 is a rear view thereof; FIG. 4 is a left side view thereof; FIG. 5 is a right side view thereof; FIG. 6 is a top plan view thereof; and, FIG. 7 is a bottom plan view thereof. The circular structures illustrated at 9 o'clock, 12 o'clock and 3 o'clock in FIGS. 2 and 3 are through-holes. The article is shown with a symbolic break in its length. The appearance of any portion of the article between the break lines forms no part of the claimed design.

1 Claim, 3 Drawing Sheets

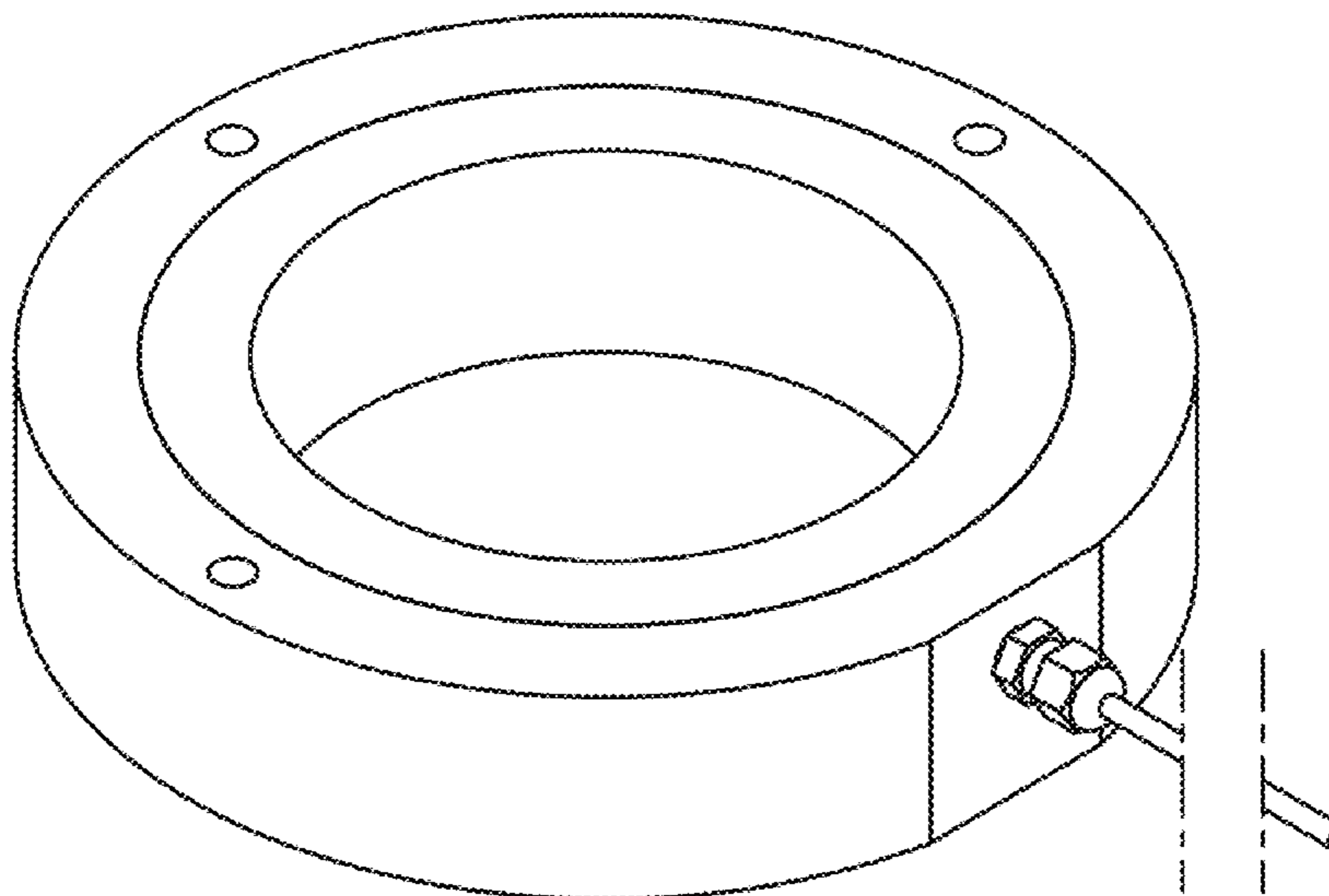


FIG.1

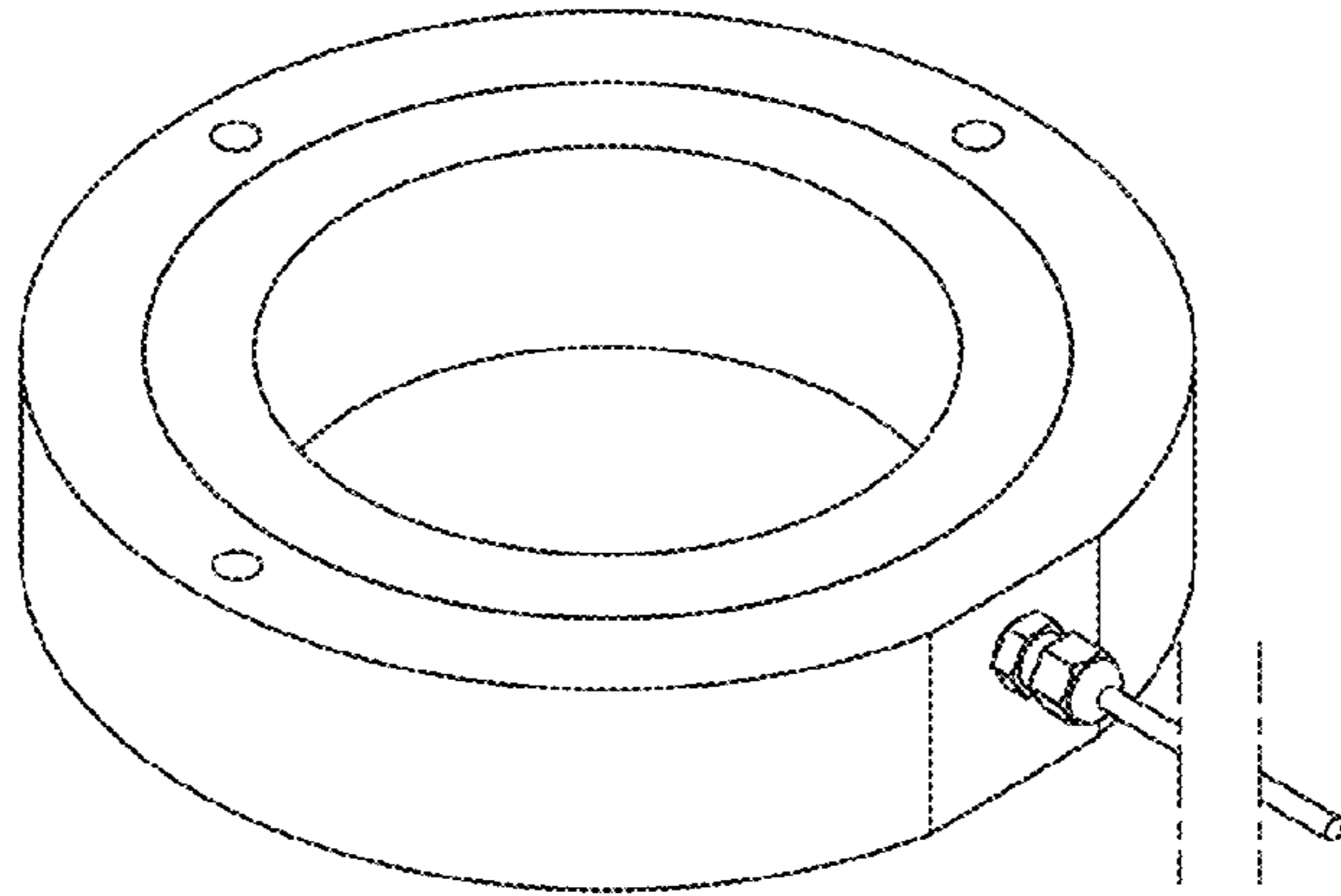


FIG.2

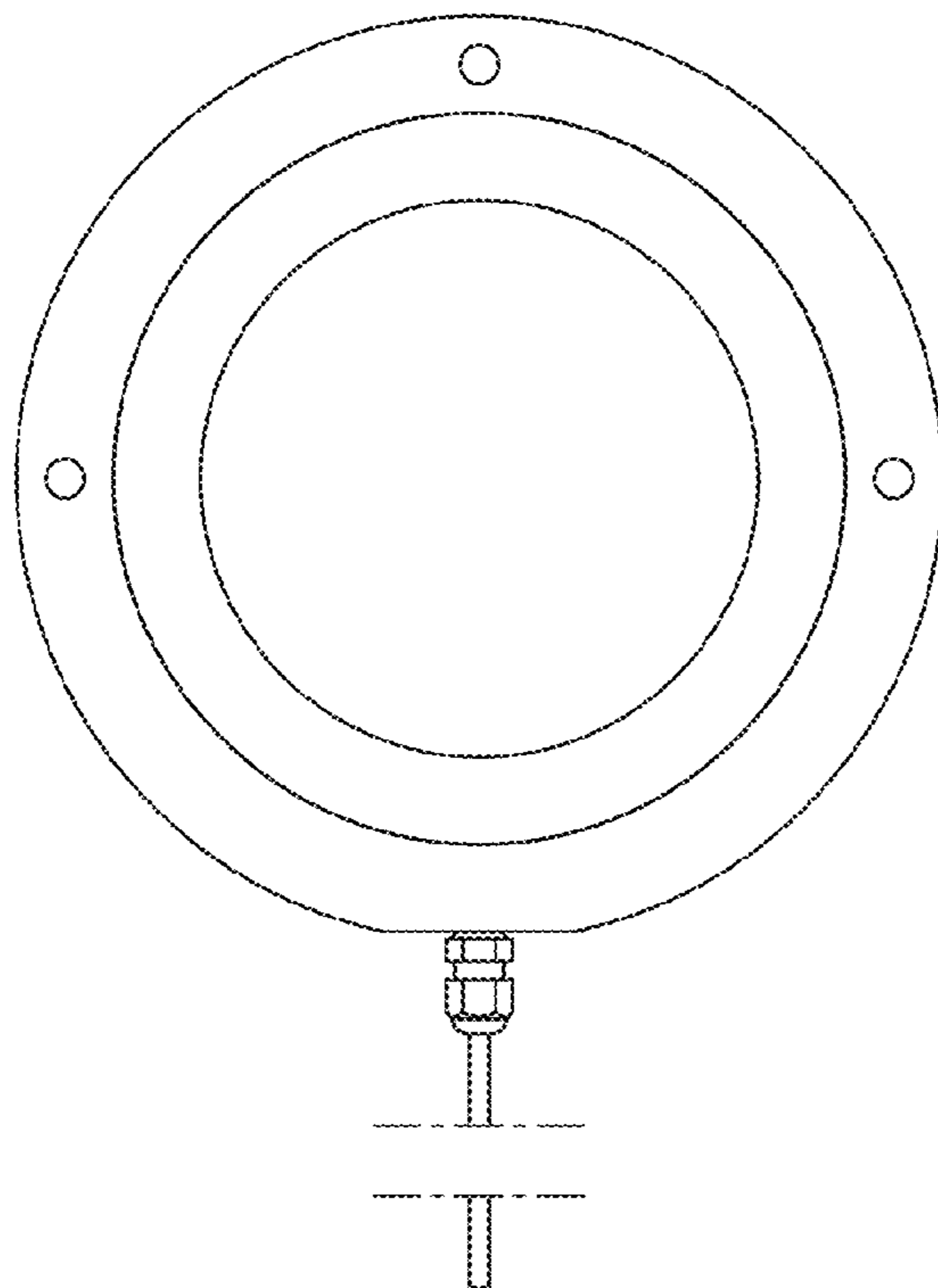


FIG.3

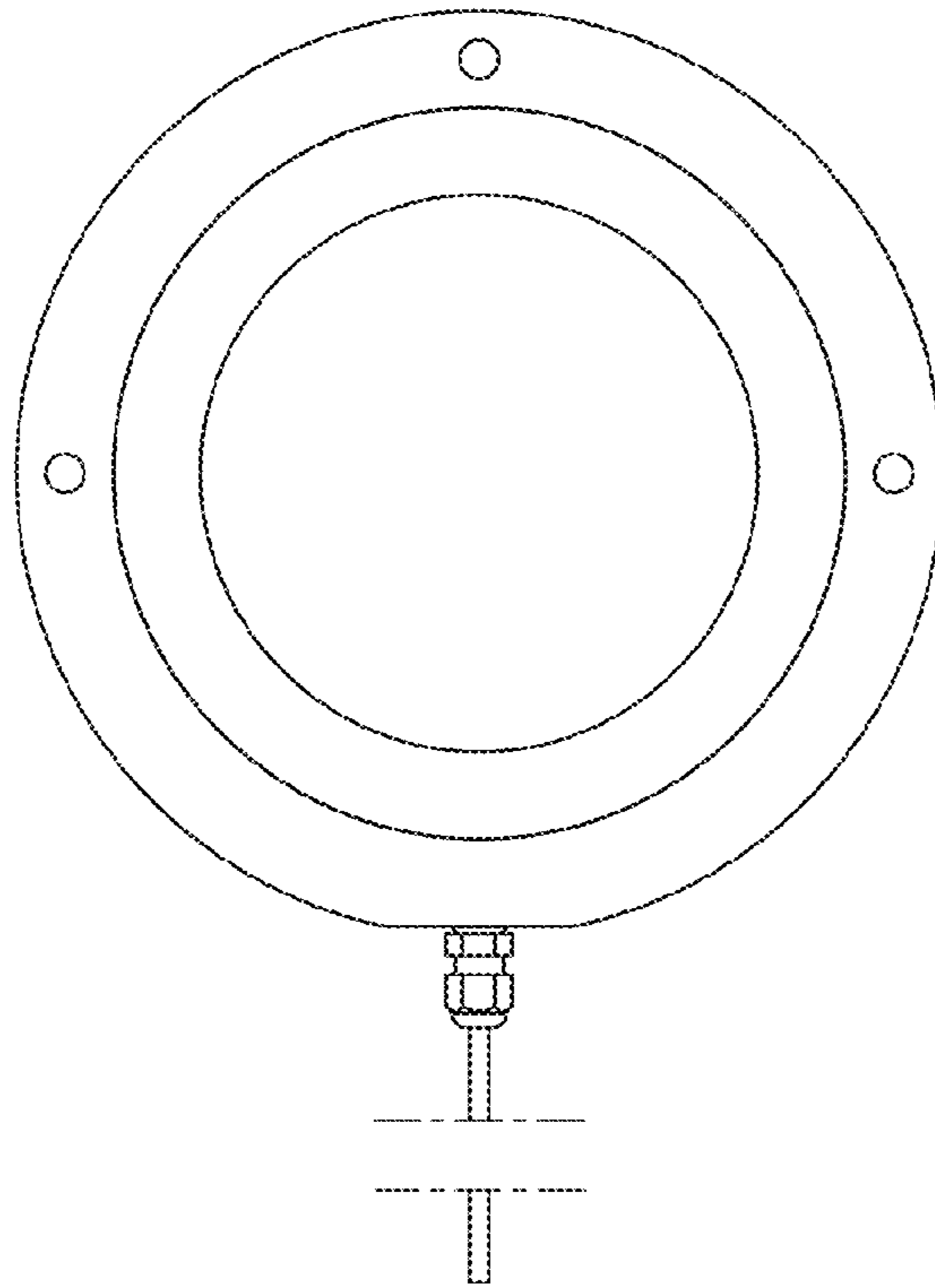


FIG.4

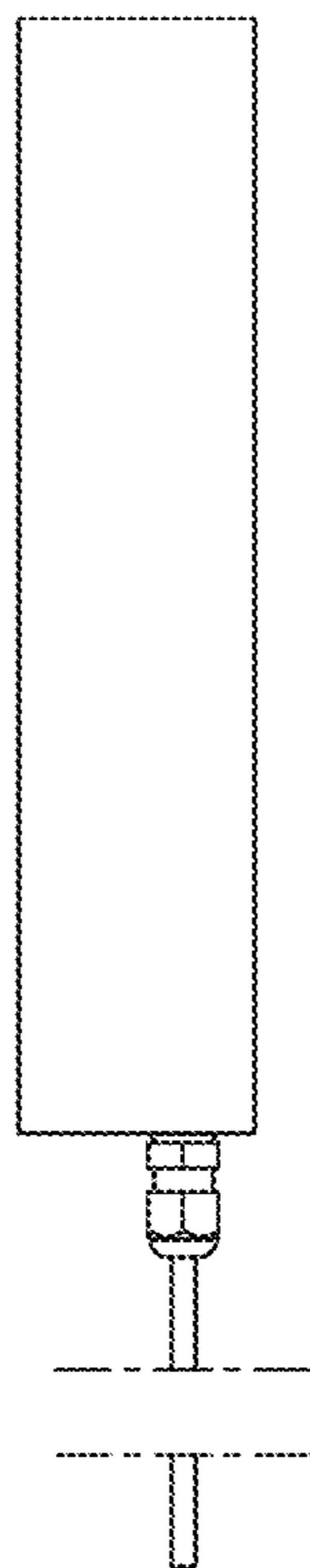


FIG.5



FIG.6



FIG.7

