



US00D744358S

(12) **United States Design Patent**
Behar et al.

(10) **Patent No.:** **US D744,358 S**
(45) **Date of Patent:** **** Dec. 1, 2015**

- (54) **ACTIVITY TRACKING BAND**
- (71) Applicant: **AliphCom**, San Francisco, CA (US)
- (72) Inventors: **Yves Albert Behar**, San Francisco, CA (US); **Qin Li**, San Francisco, CA (US); **Erik Kreider**, San Francisco, CA (US); **Alex Farrow**, San Francisco, CA (US)
- (73) Assignee: **ALIPHCOM**, San Francisco, CA (US)
- (**) Term: **14 Years**
- (21) Appl. No.: **29/517,056**
- (22) Filed: **Feb. 9, 2015**
- (51) **LOC (10) Cl.** **10-04**
- (52) **U.S. Cl.**
USPC **D10/70; D11/3**
- (58) **Field of Classification Search**
USPC D10/30–39, 65, 70, 97, 98; D11/3;
D14/138 R, 203.5, 203.6, 341, 344,
D14/347; D24/167, 168
CPC A44C 5/00–5/16; G04B 37/00–37/228;
G04B 45/0069; G04B 47/04; G04B
19/00–19/34; G04B 21/12; G04B 23/12;
G04B 47/00–47/068; G01C 17/00; G01C
21/00–21/3697
See application file for complete search history.

- D720,248 S * 12/2014 Law D11/3
- D720,249 S * 12/2014 Park et al. D11/3
- D720,635 S * 1/2015 Park et al. D10/98
- D721,292 S * 1/2015 Choi et al. D10/98
- D724,453 S * 3/2015 Ogihara et al. D10/70
- D724,468 S * 3/2015 Tan et al. D11/3
- D725,510 S * 3/2015 Henning D10/70
- D726,572 S * 4/2015 Walters et al. D11/3

* cited by examiner

Primary Examiner — Antoine D Davis

(74) *Attorney, Agent, or Firm* — Kilpatrick Townsend & Stockton LLP

(57) **CLAIM**

The ornamental design for a activity tracking band, as shown and described.

DESCRIPTION

FIG. 1 is a perspective view of an activity tracking band showing my new design;
 FIG. 2 is an alternative perspective view of the activity tracking band;
 FIG. 3 is a front elevational view thereof;
 FIG. 4 is a back elevational view thereof;
 FIG. 5 is a left side elevational view thereof;
 FIG. 6 is a right side elevational view thereof;
 FIG. 7 is a top view thereof;
 FIG. 8 is a bottom view thereof;
 FIG. 9 is an perspective view of an alternative embodiment of the activity tracking band;
 FIG. 10 is a front elevational view thereof;
 FIG. 11 is a back elevational view thereof;
 FIG. 12 is a left side elevational view thereof;
 FIG. 13 is a right side elevational view thereof;
 FIG. 14 is a top view thereof; and,
 FIG. 15 is a bottom view thereof.

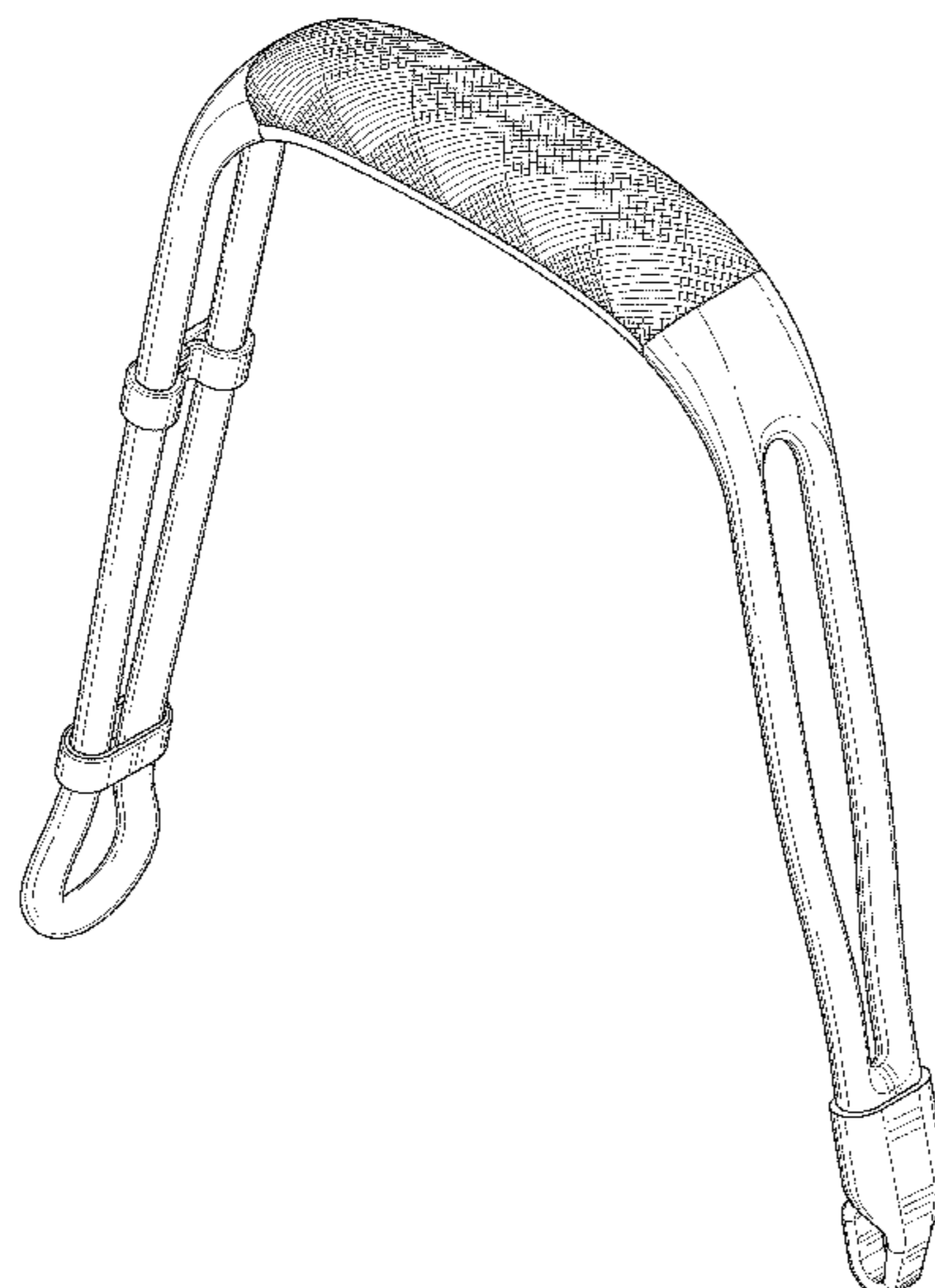
The broken line showing of a human hand and arm is included for the purpose of illustrating non-claimed subject matter and forms no part of the claimed design

1 Claim, 15 Drawing Sheets

(56) **References Cited**

U.S. PATENT DOCUMENTS

- D664,880 S * 8/2012 Cobbett et al. D11/3
- D671,858 S * 12/2012 Cobbett et al. D11/3
- D680,020 S * 4/2013 Cobbett et al. D11/3
- D684,082 S * 6/2013 Alvarez et al. D11/3
- D688,584 S * 8/2013 Cobbett et al. D11/3
- D690,218 S * 9/2013 Cobbett et al. D11/3
- D711,268 S * 8/2014 Kim et al. D10/98
- D714,179 S * 9/2014 Park et al. D11/3
- D717,956 S * 11/2014 Alexander et al. D24/167
- D718,647 S * 12/2014 Roush et al. D10/98



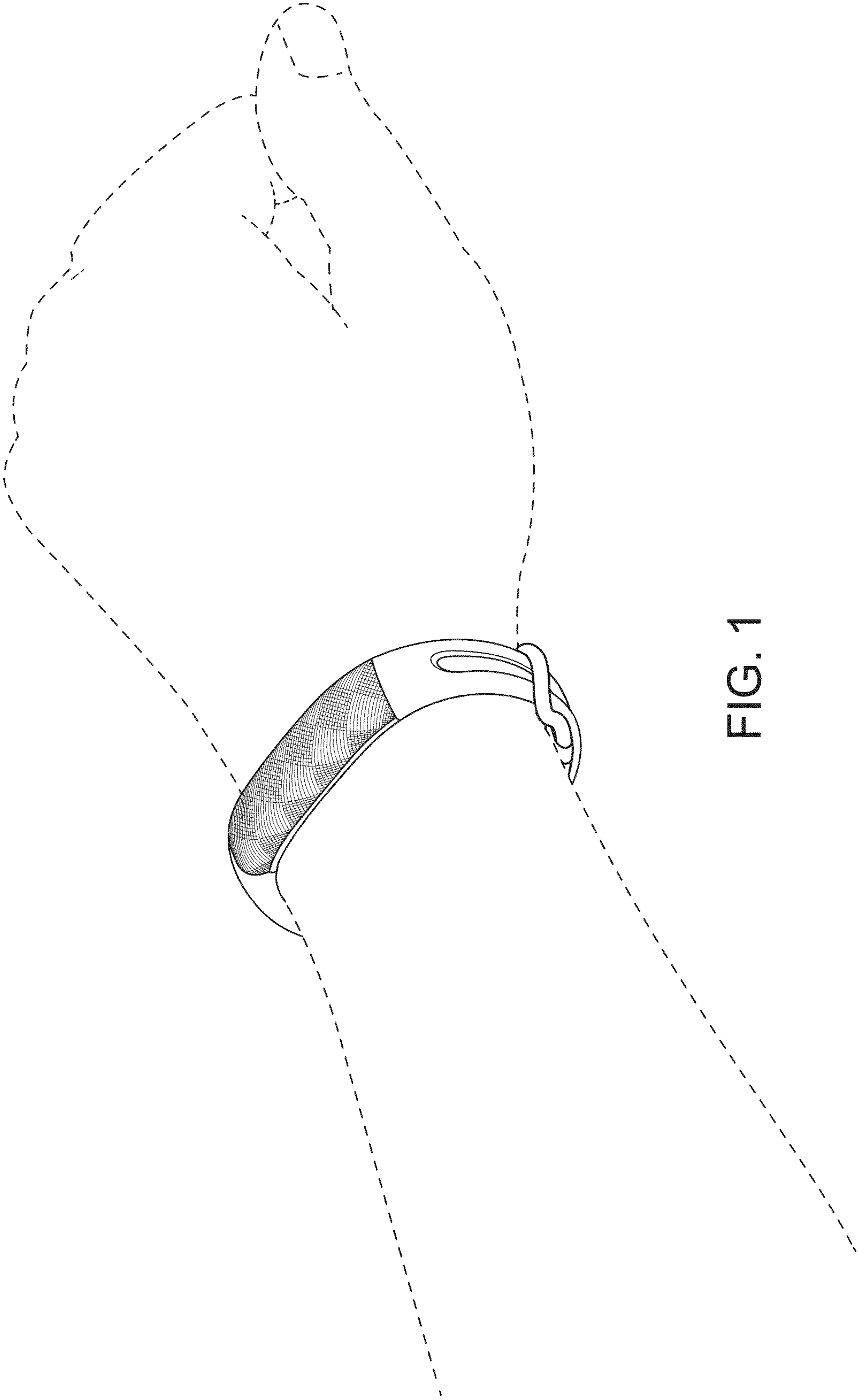


FIG. 1

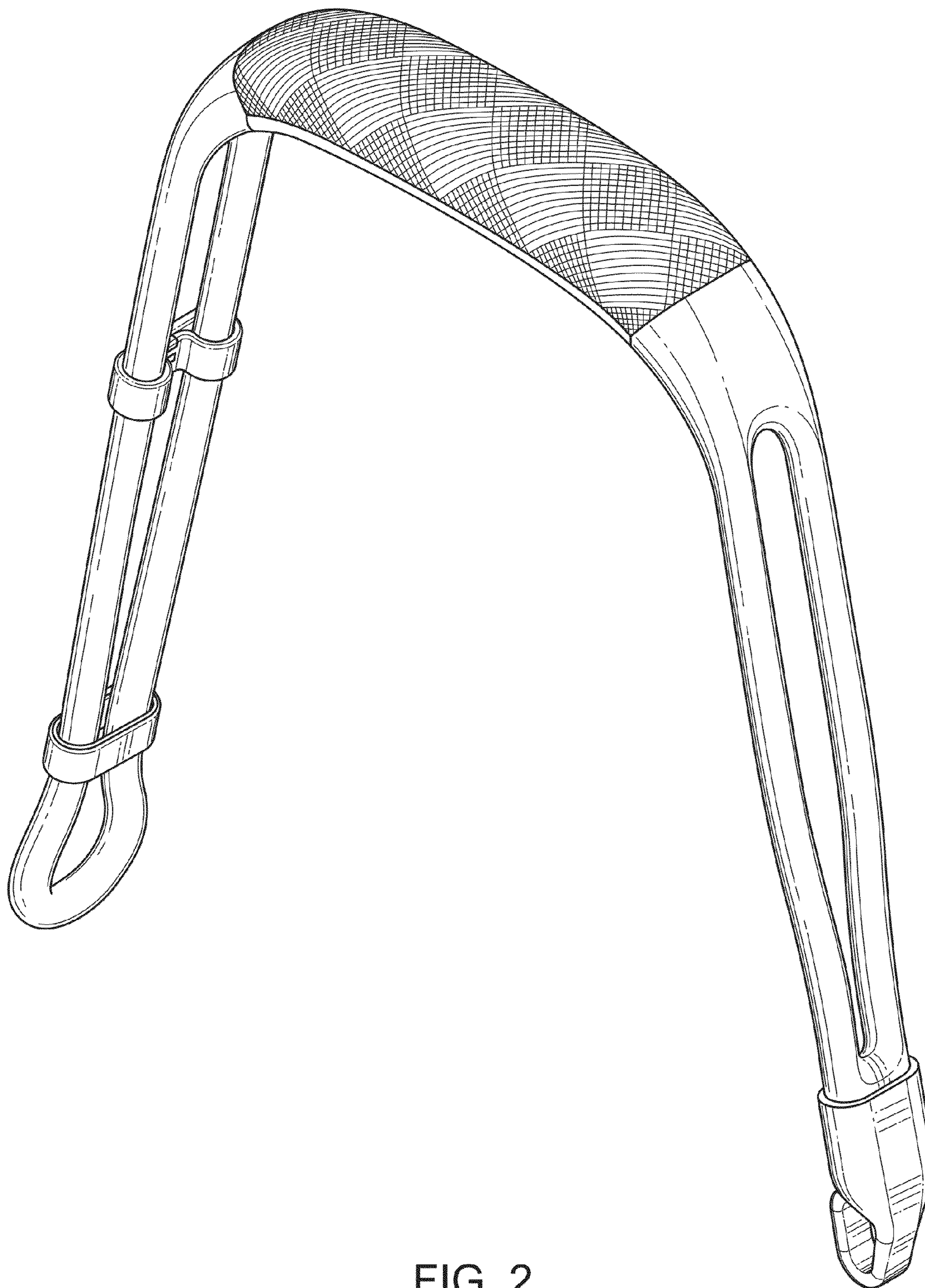


FIG. 2

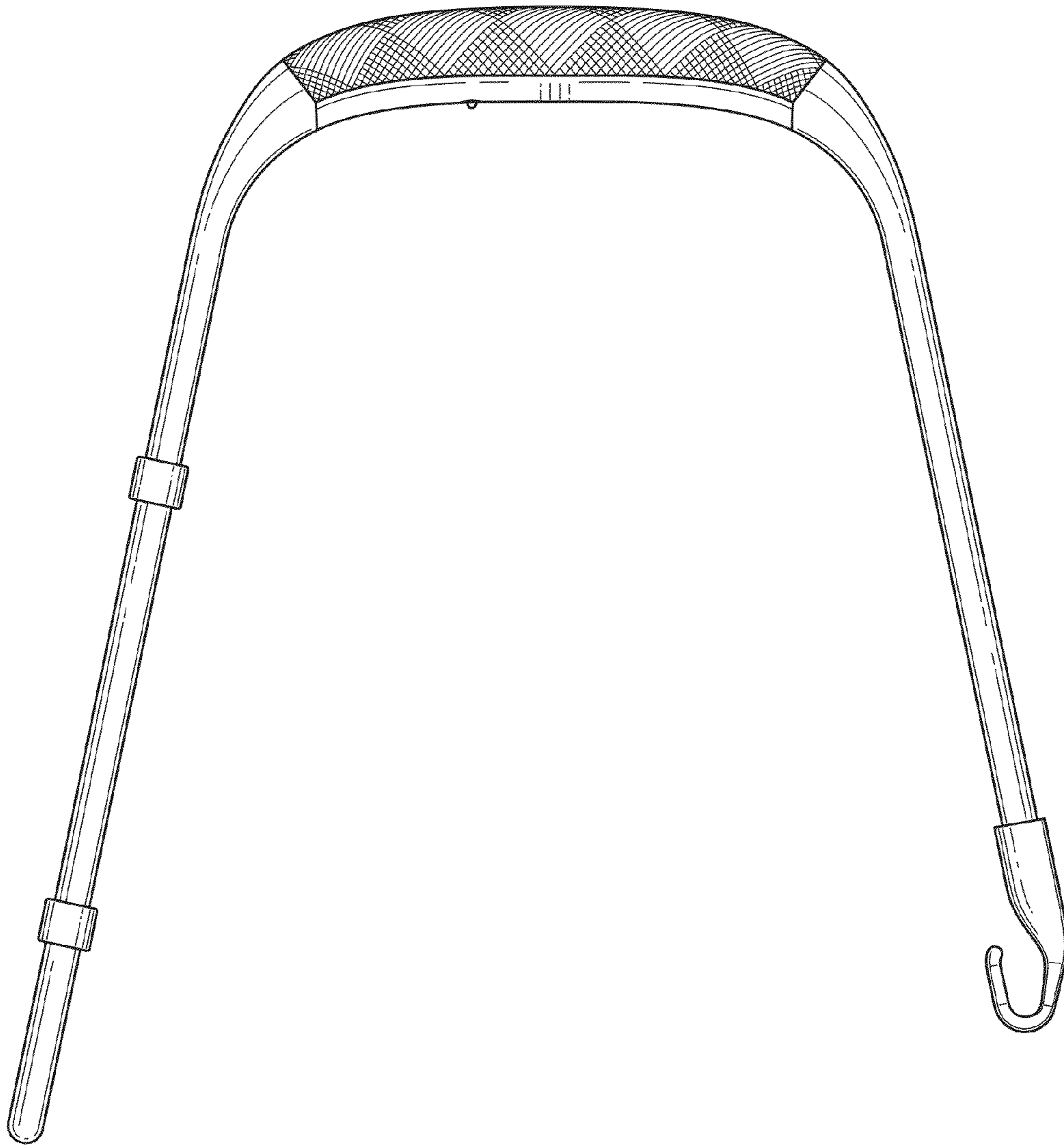


FIG. 3

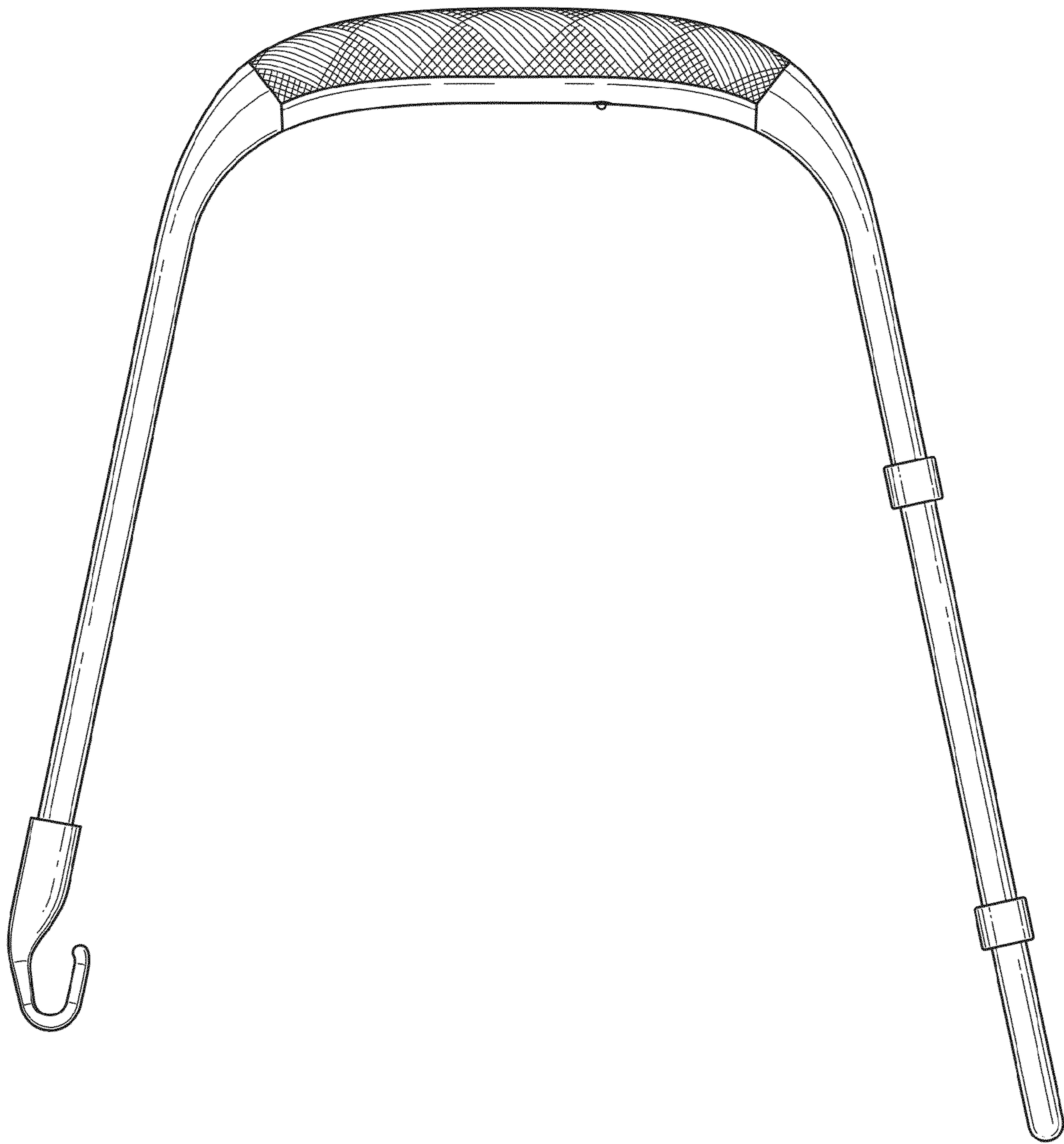


FIG. 4

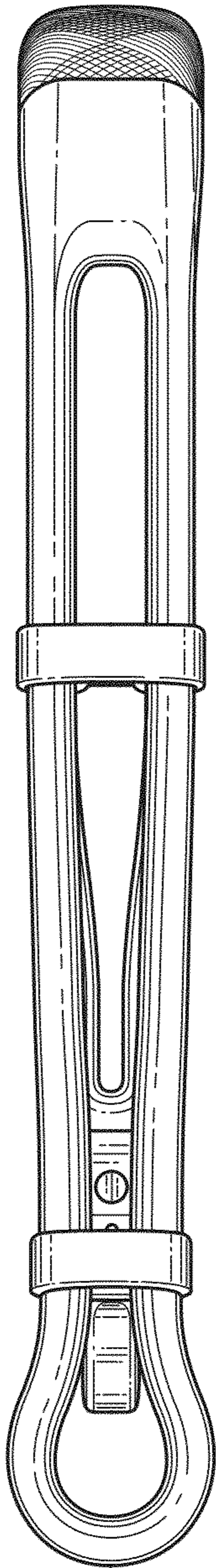


FIG. 5

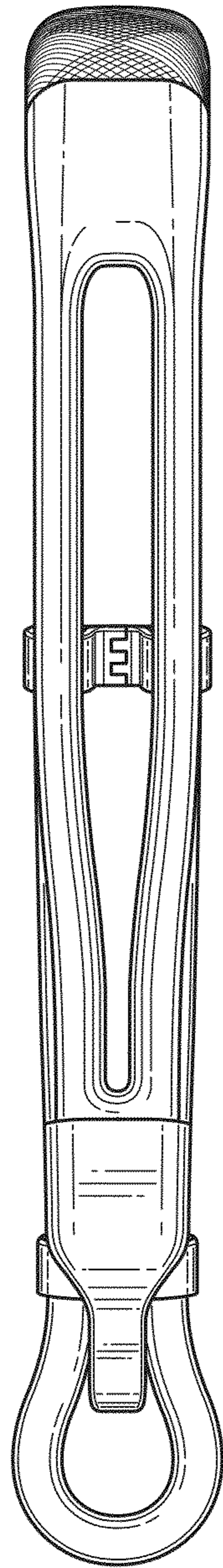


FIG. 6

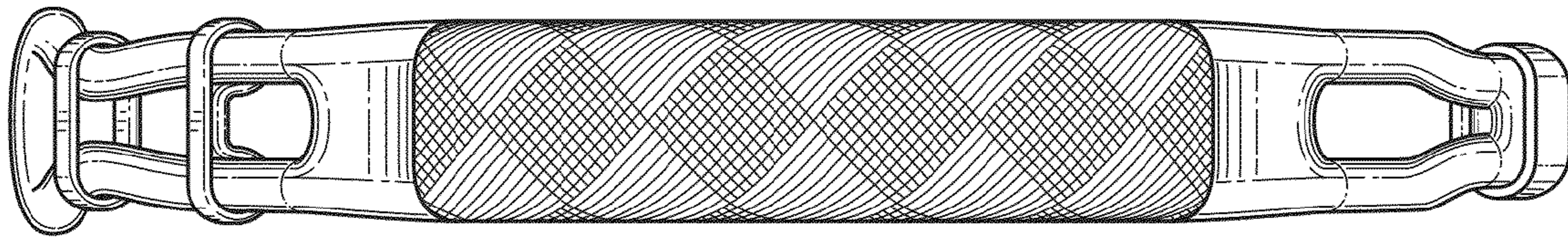


FIG. 7

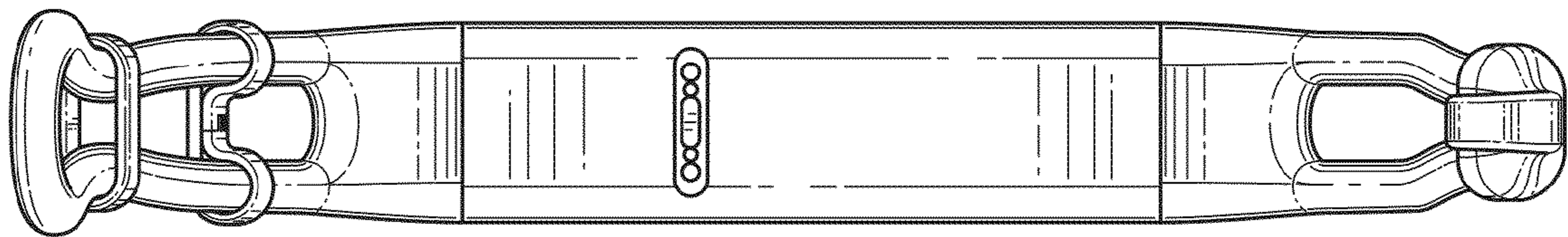


FIG. 8

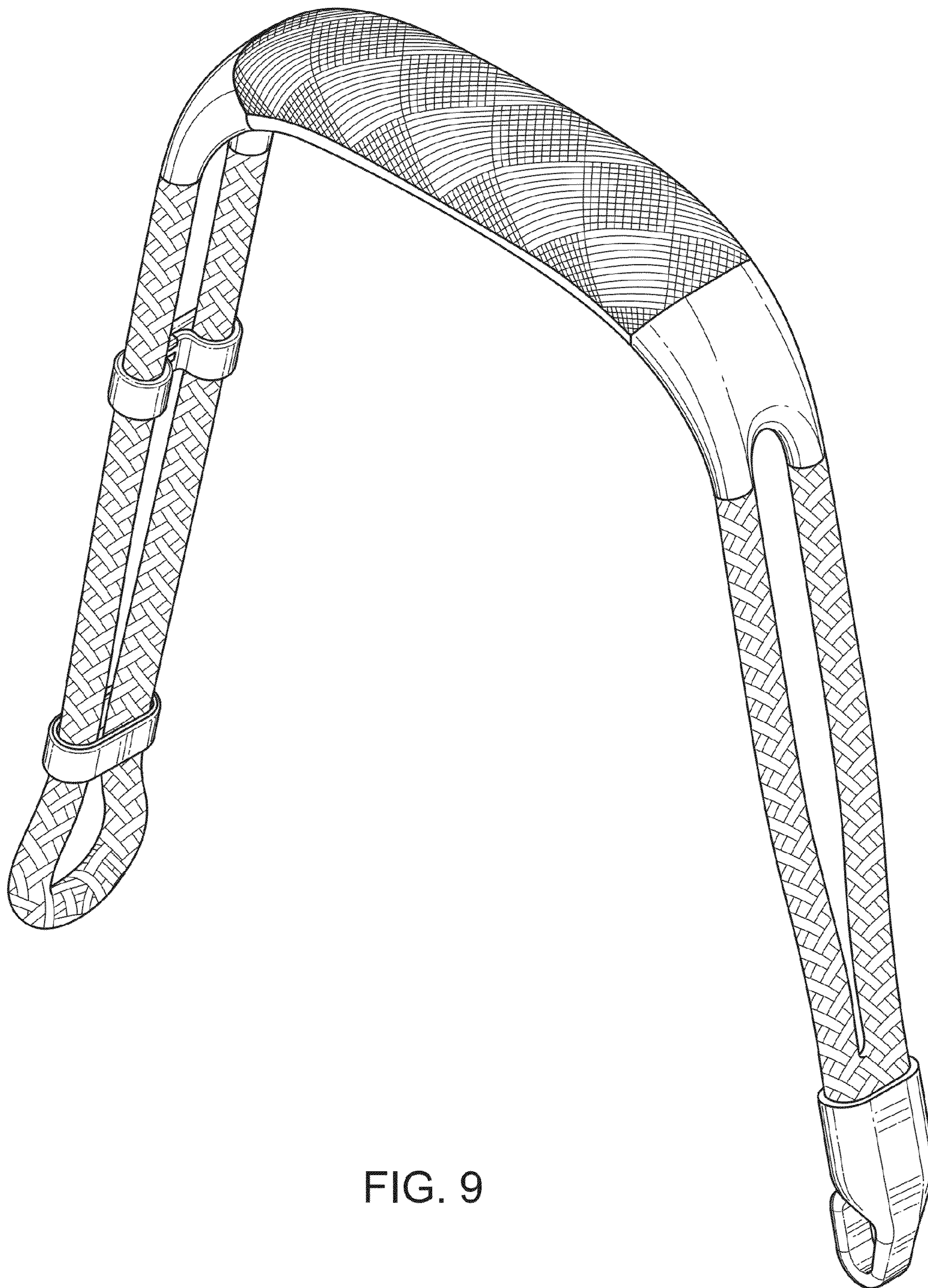


FIG. 9



FIG. 10

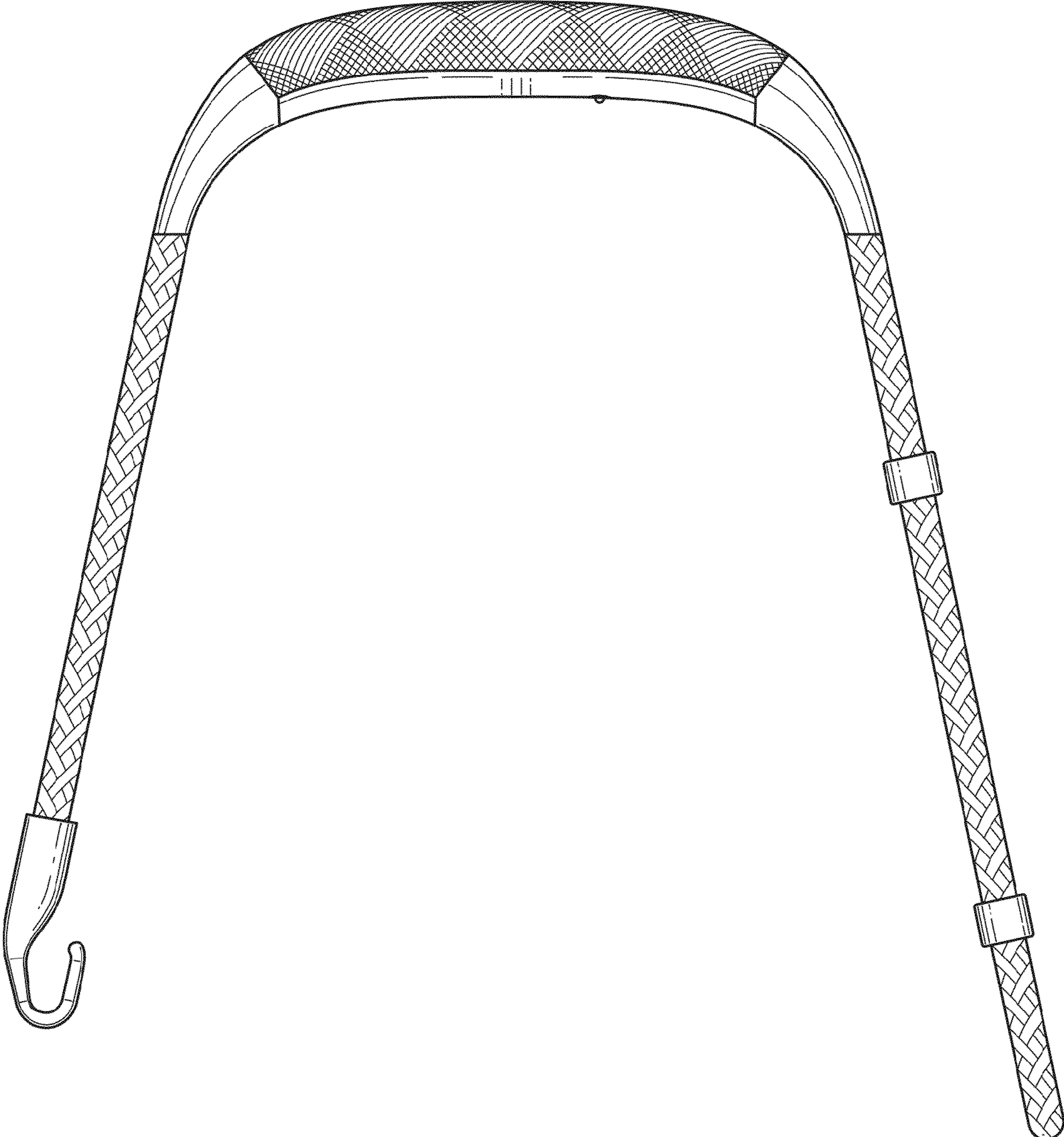


FIG. 11

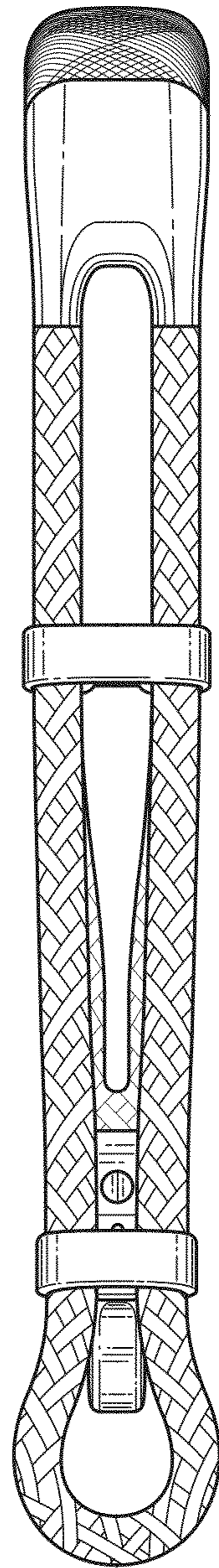


FIG. 12

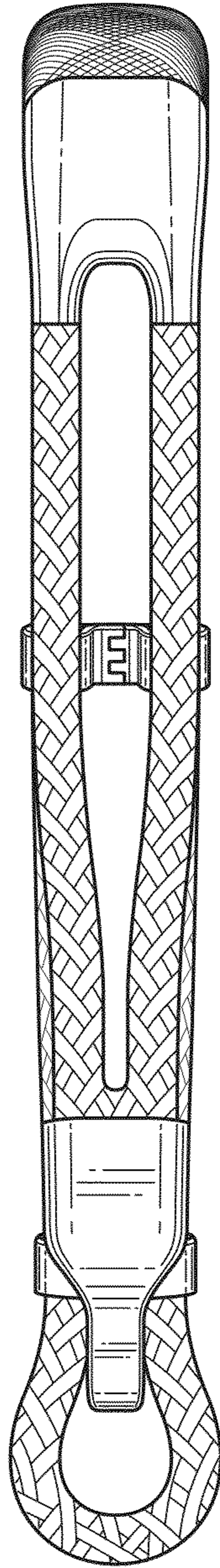


FIG. 13

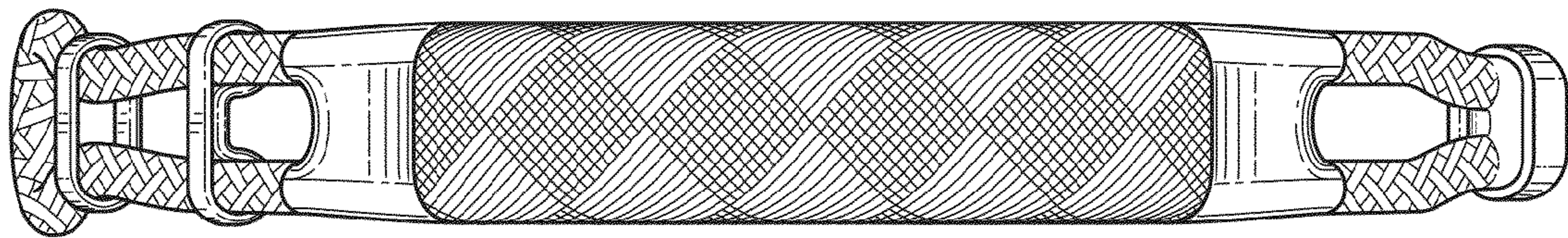


FIG.14

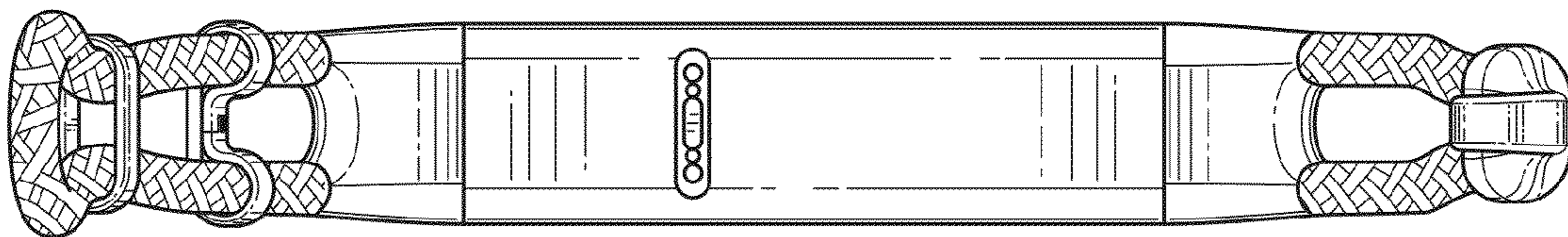


FIG. 15