



US00D744355S

(12) **United States Design Patent**  
**Liu et al.**

(10) **Patent No.:** **US D744,355 S**  
(45) **Date of Patent:** **\*\* Dec. 1, 2015**

(54) **ROTATION LASER**

(71) Applicant: **Hilti Aktiengesellschaft**, Schaan (LI)

(72) Inventors: **Yuan Liu**, Feldkirch (AT); **Tobias Koeniger**, Bregenz (AT); **Christian Scheidel**, Aalen (DE)

(73) Assignee: **Hilti Aktiengesellschaft**, Schaan (LI)

(\*\*) Term: **14 Years**

(21) Appl. No.: **29/494,154**

(22) Filed: **Jun. 18, 2014**

(30) **Foreign Application Priority Data**

Dec. 19, 2013 (WO) ..... DM/082 519

(51) **LOC (10) Cl.** ..... **10-04**

(52) **U.S. Cl.**  
USPC ..... **D10/66; D10/69; D10/70**

(58) **Field of Classification Search**  
USPC ..... D10/66, 69, 70  
CPC .. G01C 15/002; G01C 15/004; G01C 15/006;  
G01C 15/008; G01C 15/02

See application file for complete search history.

(56) **References Cited**

U.S. PATENT DOCUMENTS

D635,038	S	*	3/2011	Ishii	.....	D10/66
D688,578	S	*	8/2013	Asher et al.	.....	D10/66
D690,214	S	*	9/2013	Asher et al.	.....	D10/66
D692,327	S	*	10/2013	Asher et al.	.....	D10/66
D702,572	S	*	4/2014	Sun et al.	.....	D10/66
D708,970	S	*	7/2014	Ishii	.....	D10/66
D723,398	S	*	3/2015	Ishii	.....	D10/66
D723,953	S	*	3/2015	Ishii	.....	D10/66
2008/0043409	A1	*	2/2008	Kallabis	.....	361/679
2014/0173921	A1	*	6/2014	Gros et al.	.....	33/228

\* cited by examiner

*Primary Examiner* — Antoine D Davis

(74) *Attorney, Agent, or Firm* — Crowell & Moring LLP

(57) **CLAIM**

The ornamental design for a rotation laser, as shown and described.

**DESCRIPTION**

FIG. 1 is a top perspective view of a rotation laser according to the design;

FIG. 2 is a bottom perspective view thereof;

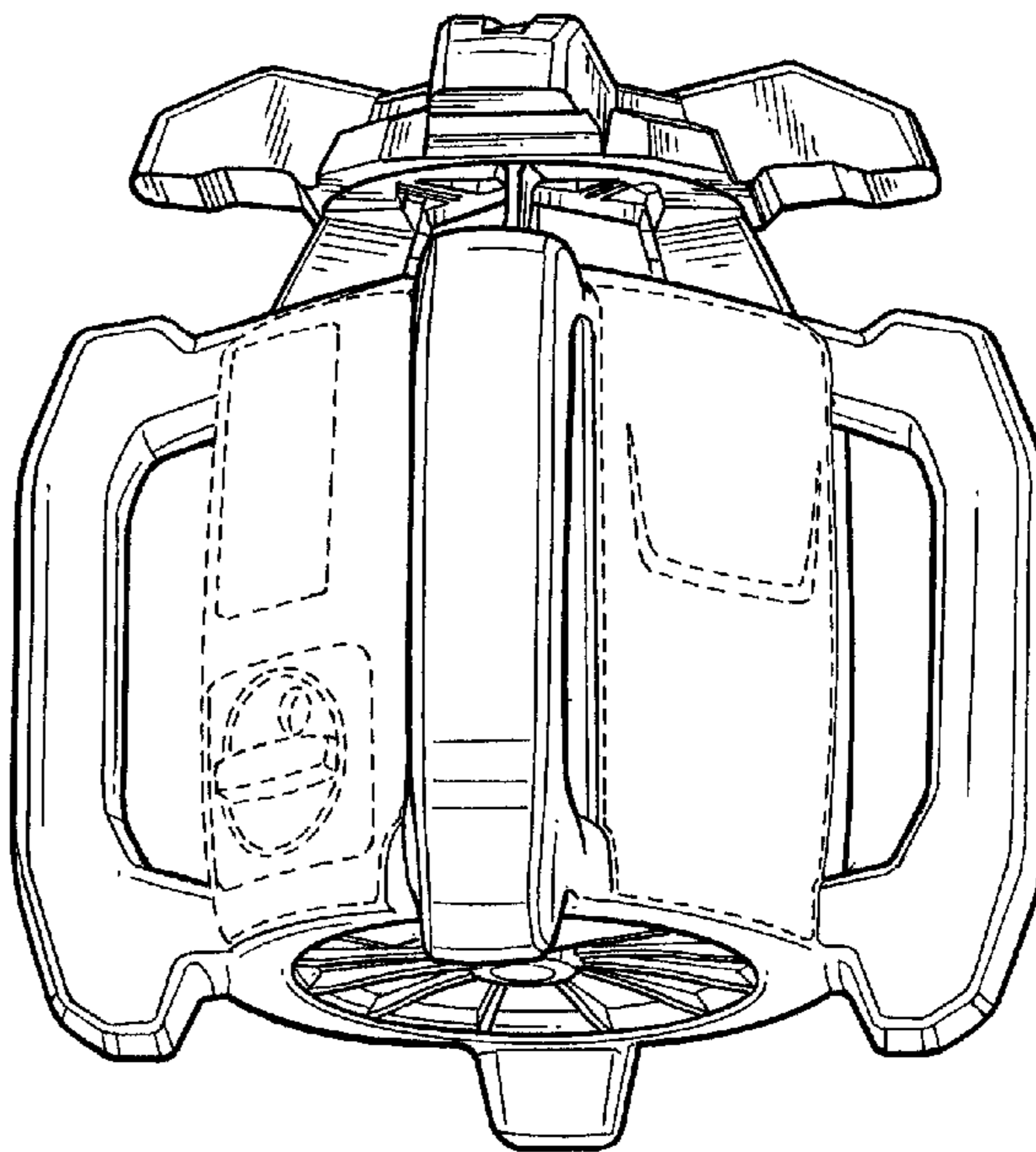
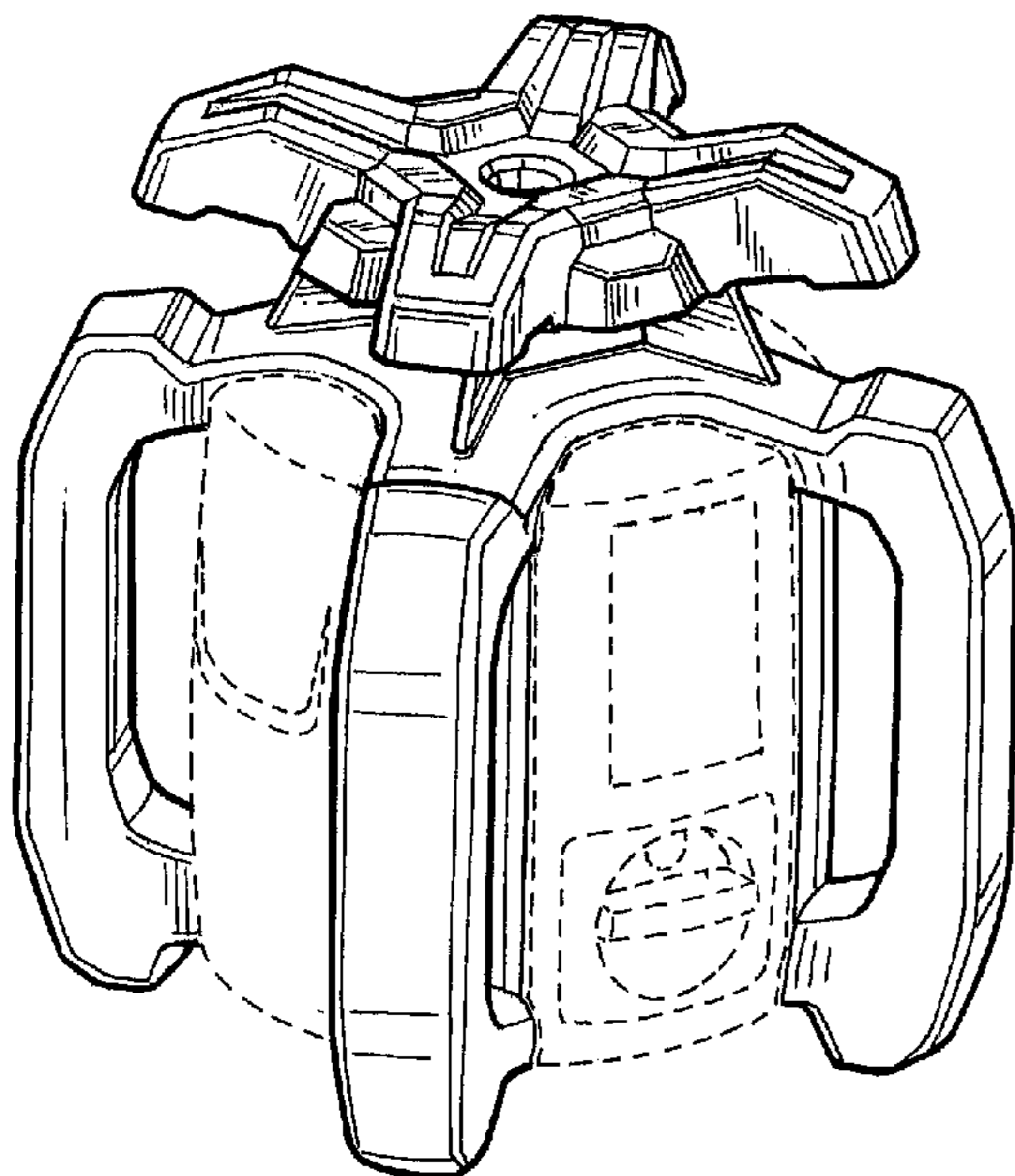
FIG. 3 is a side view thereof, the three additional side views being identical, excluding the unclaimed subject matter;

FIG. 4 is a top view thereof; and,

FIG. 5 is a bottom view thereof.

The broken lines are for illustrative purposes only and form no part of the claimed design.

**1 Claim, 3 Drawing Sheets**



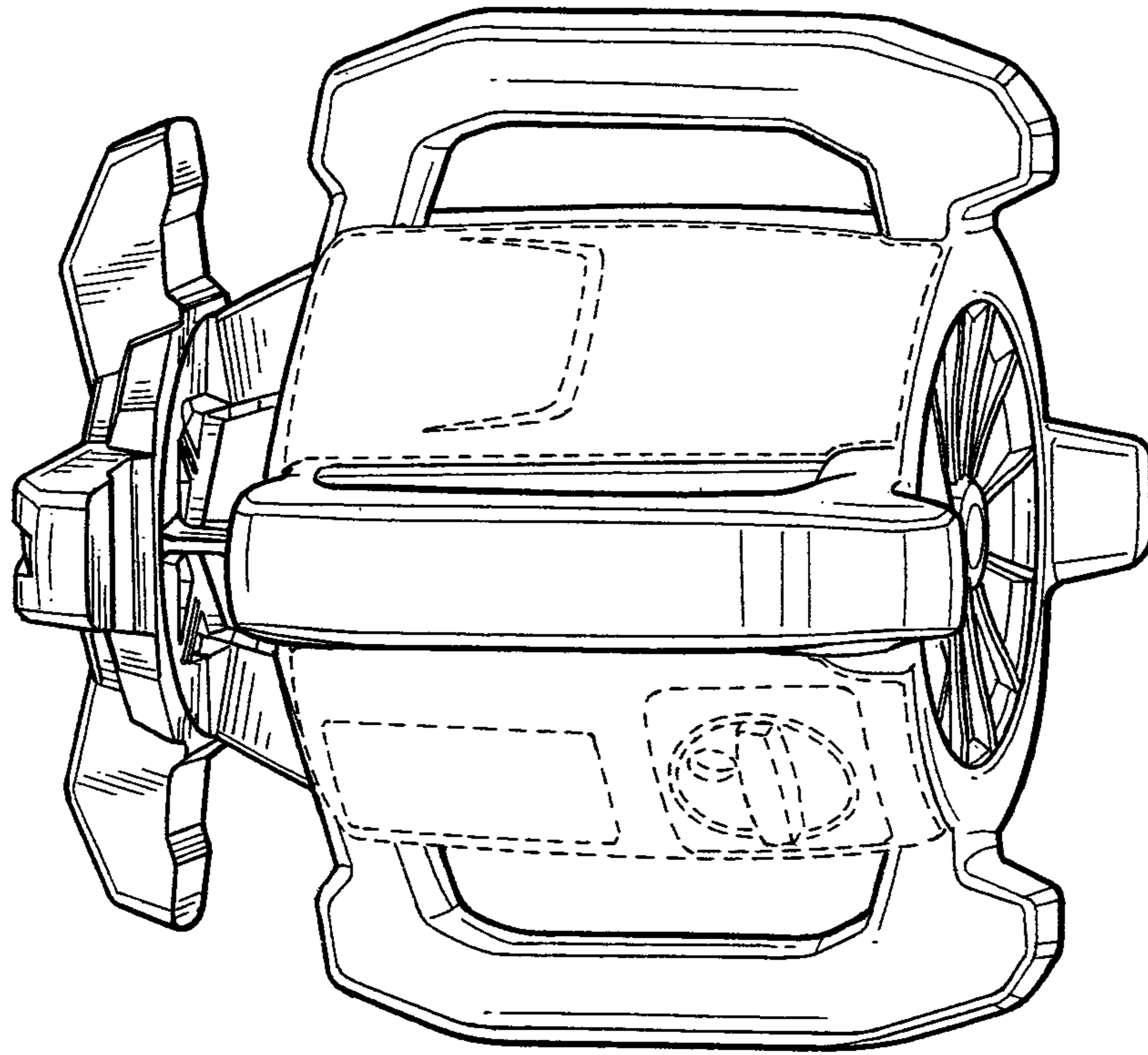


FIG. 2

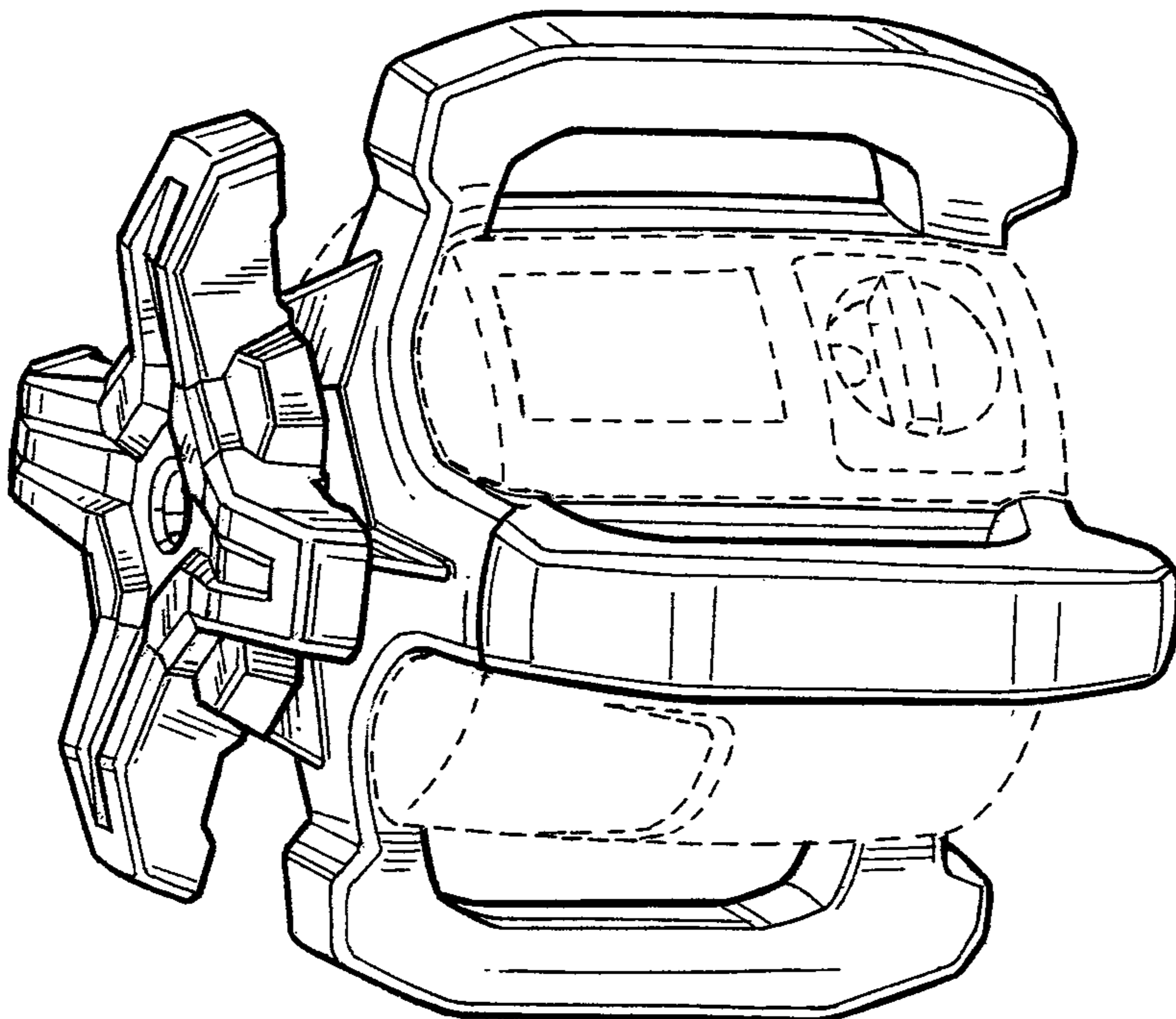


FIG. 1

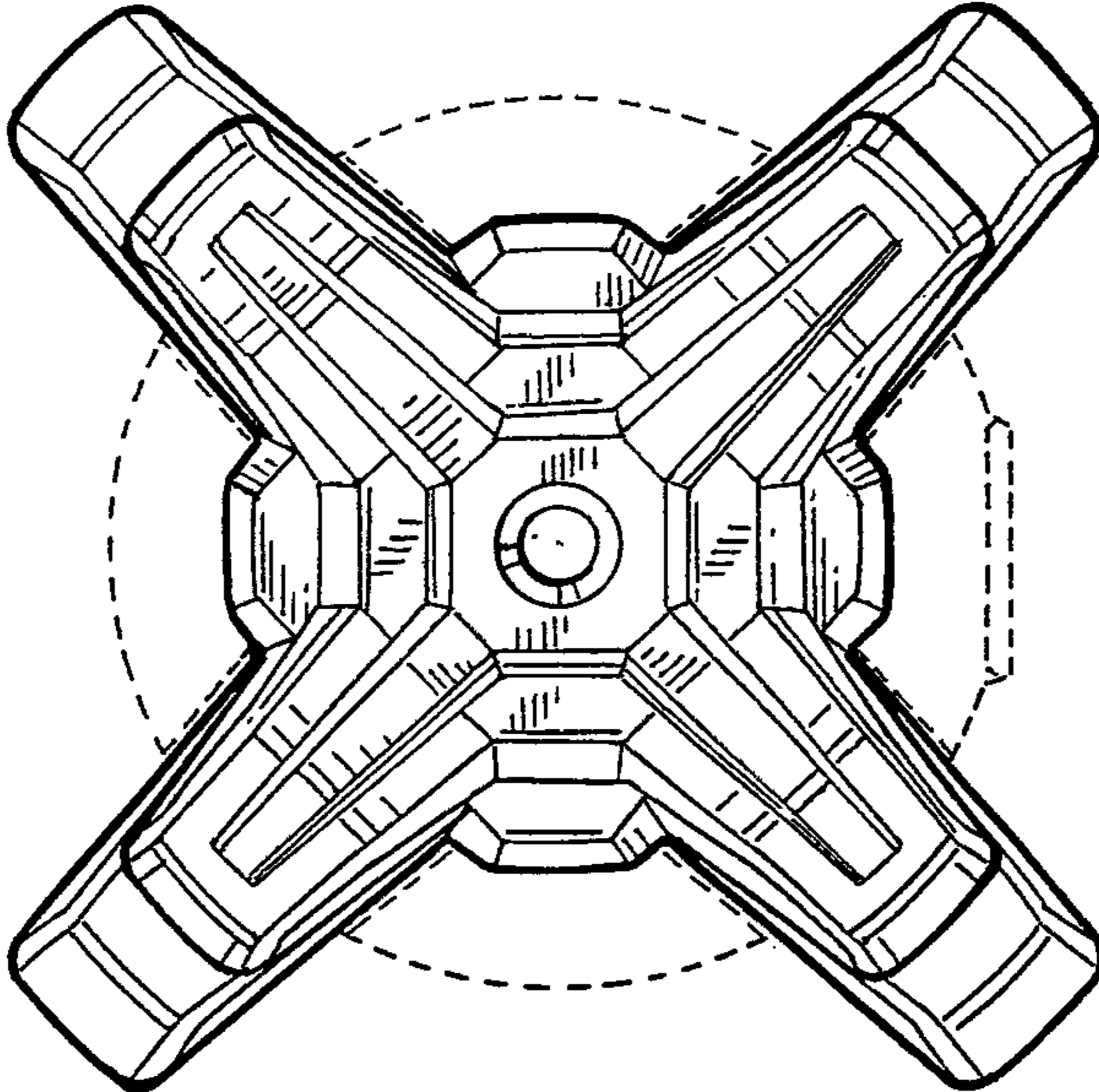


FIG. 4

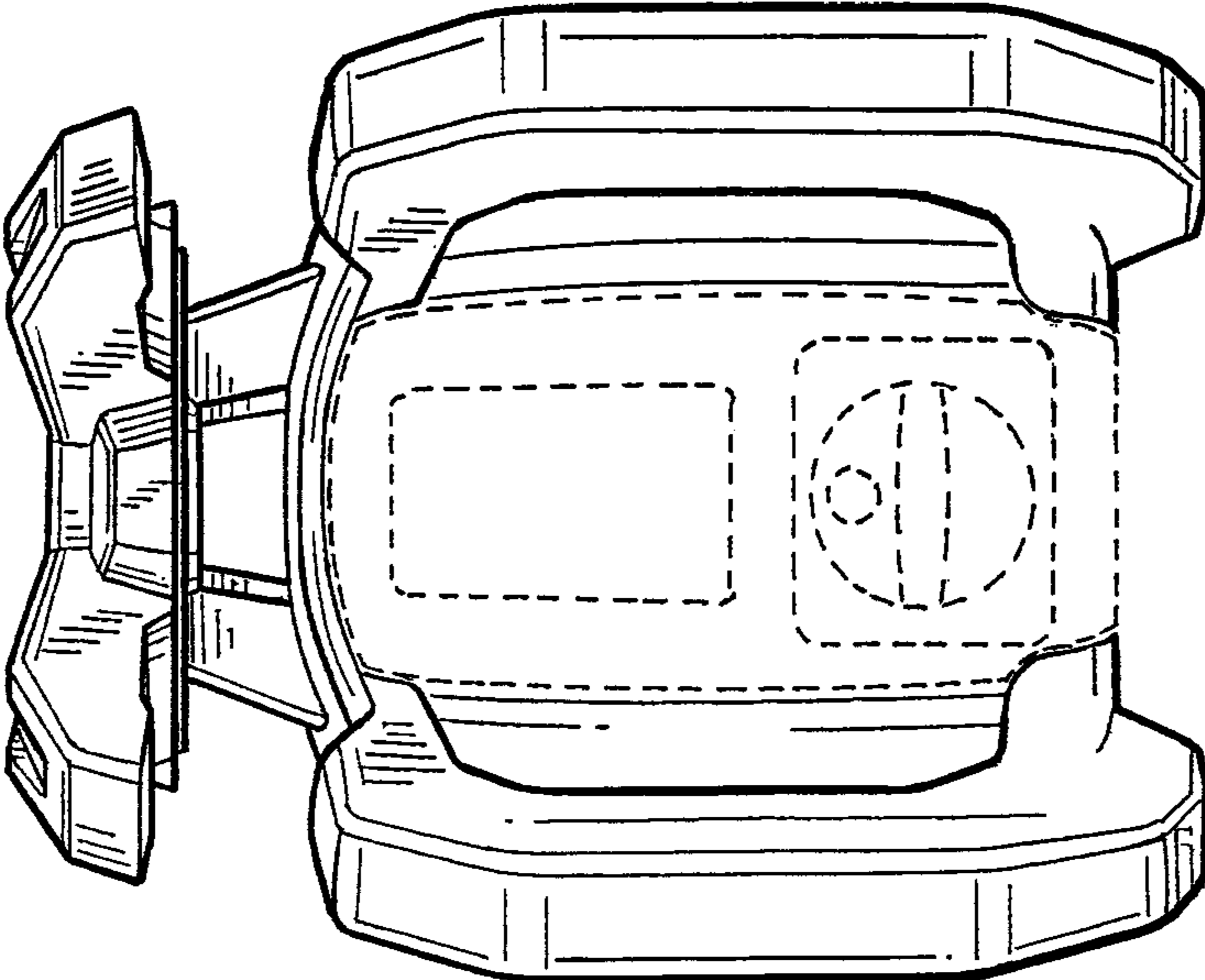


FIG. 3

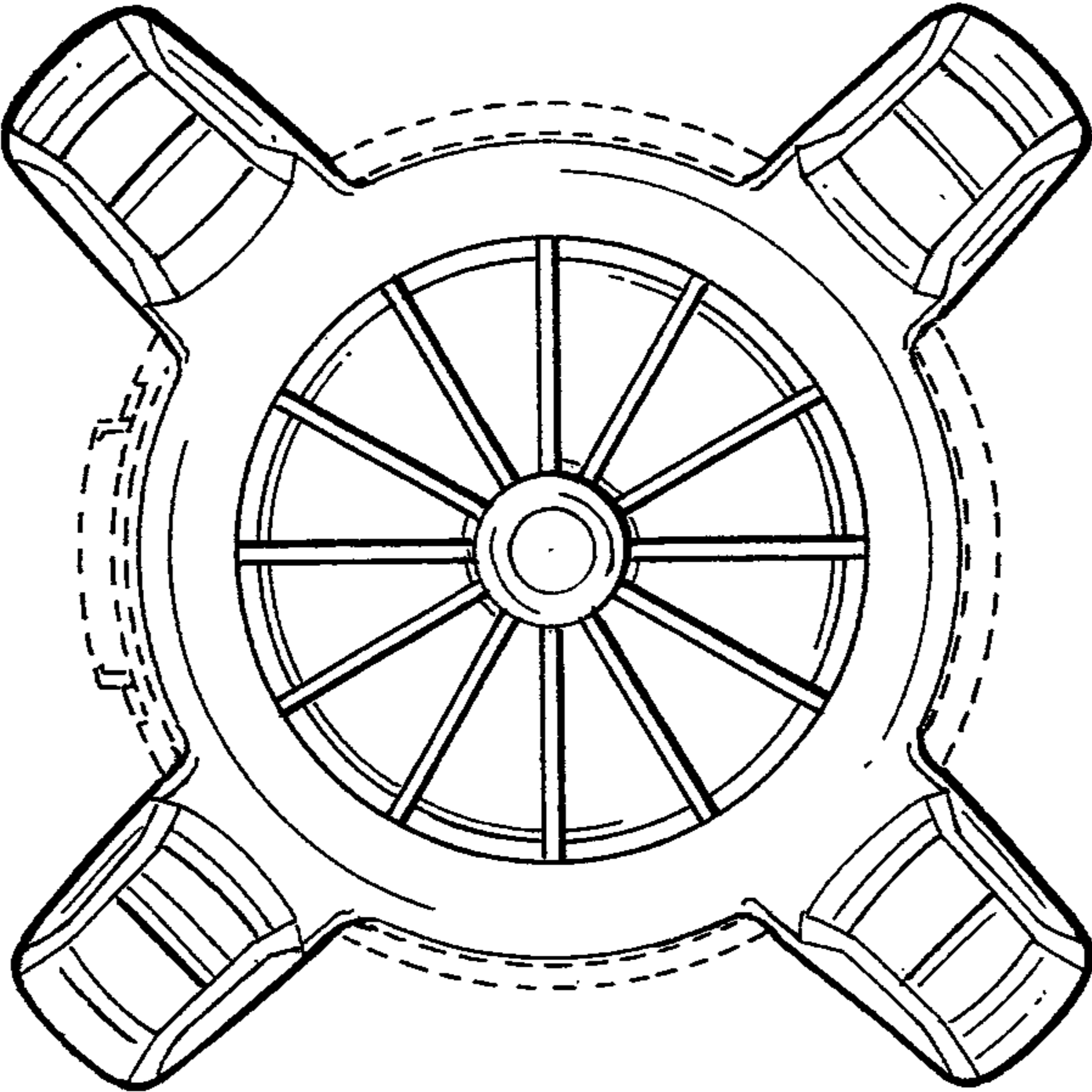


FIG. 5