



US00D744351S

(12) **United States Design Patent**
Hansen

(10) **Patent No.:** **US D744,351 S**
(45) **Date of Patent:** **** Dec. 1, 2015**

(54) **BOTTLE**

(71) Applicant: **FF SKAGEN A/S**, Skagen (DK)

(72) Inventor: **Thomas Fisker Hansen**, Skagen (DK)

(73) Assignee: **FF SKAGEN A/S**, Skagen (DK)

(**) Term: **14 Years**

(21) Appl. No.: **29/501,523**

(22) Filed: **Sep. 4, 2014**

Related U.S. Application Data

(62) Division of application No. 29/437,745, filed on Nov. 20, 2012, now Pat. No. Des. 715,153.

(51) **LOC (10) Cl.** **09-01**

(52) **U.S. Cl.**
USPC **D9/685**

(58) **Field of Classification Search**
USPC D9/682-694, 715, 719, 516, 517, 526,
D9/537-575, 434-436, 447, 448, 606, 652,
D9/667, 520; 215/379, 382; 220/669, 675;
222/182, 183, 631, 635, 321.6-321.9,
222/372, 373, 379, 383.1, 386, 401, 402.11,
222/402.13, 402.15

CPC B65D 2203/00; B65D 1/0223; G09F
2003/0273

See application file for complete search history.

(56) **References Cited**

U.S. PATENT DOCUMENTS

D244,531 S 5/1977 Klingaman
D267,856 S 2/1983 Smith
D314,507 S 2/1991 Brabeck et al.

D338,616 S 8/1993 MacDonald et al.
D347,788 S 6/1994 Steijns et al.
5,421,483 A 6/1995 Parise
5,657,910 A 8/1997 Keyser
D386,401 S 11/1997 Prestia et al.
6,053,372 A 4/2000 Abedi
D438,117 S 2/2001 Shefler et al.
D444,700 S 7/2001 Ebert
D451,379 S 12/2001 Tang
D530,217 S 10/2006 Krause
D584,958 S * 1/2009 Schiesser D9/624
D588,929 S * 3/2009 Boigeol et al. D9/691
D641,251 S * 7/2011 Pearson et al. D9/685
D649,062 S * 11/2011 Handy D9/560
D671,010 S * 11/2012 Shefler D9/652
8,701,936 B2 * 4/2014 Thomas et al. 222/129
2007/0034629 A1 * 2/2007 Mazzarolo 220/254.3

* cited by examiner

Primary Examiner — Catherine Tuttle

(74) *Attorney, Agent, or Firm* — Arent Fox LLP

(57) **CLAIM**

The ornamental design for a bottle, as shown and described.

DESCRIPTION

FIG. 1 is a perspective view of a bottle showing my new design;

FIG. 2 is a front view of the design shown in FIG. 1;

FIG. 3 is a back view of the design shown in FIG. 1;

FIG. 4 is a left side view of the design shown in FIG. 1;

FIG. 5 is a right side view of the design shown in FIG. 1;

FIG. 6 is a top view of the design shown in FIG. 1; and,

FIG. 7 is a bottom view of the design shown in FIG. 1.

The broken lines shown in FIGS. 1-5 are included for the purpose of illustrating surface features that form no part of the claimed design.

1 Claim, 7 Drawing Sheets



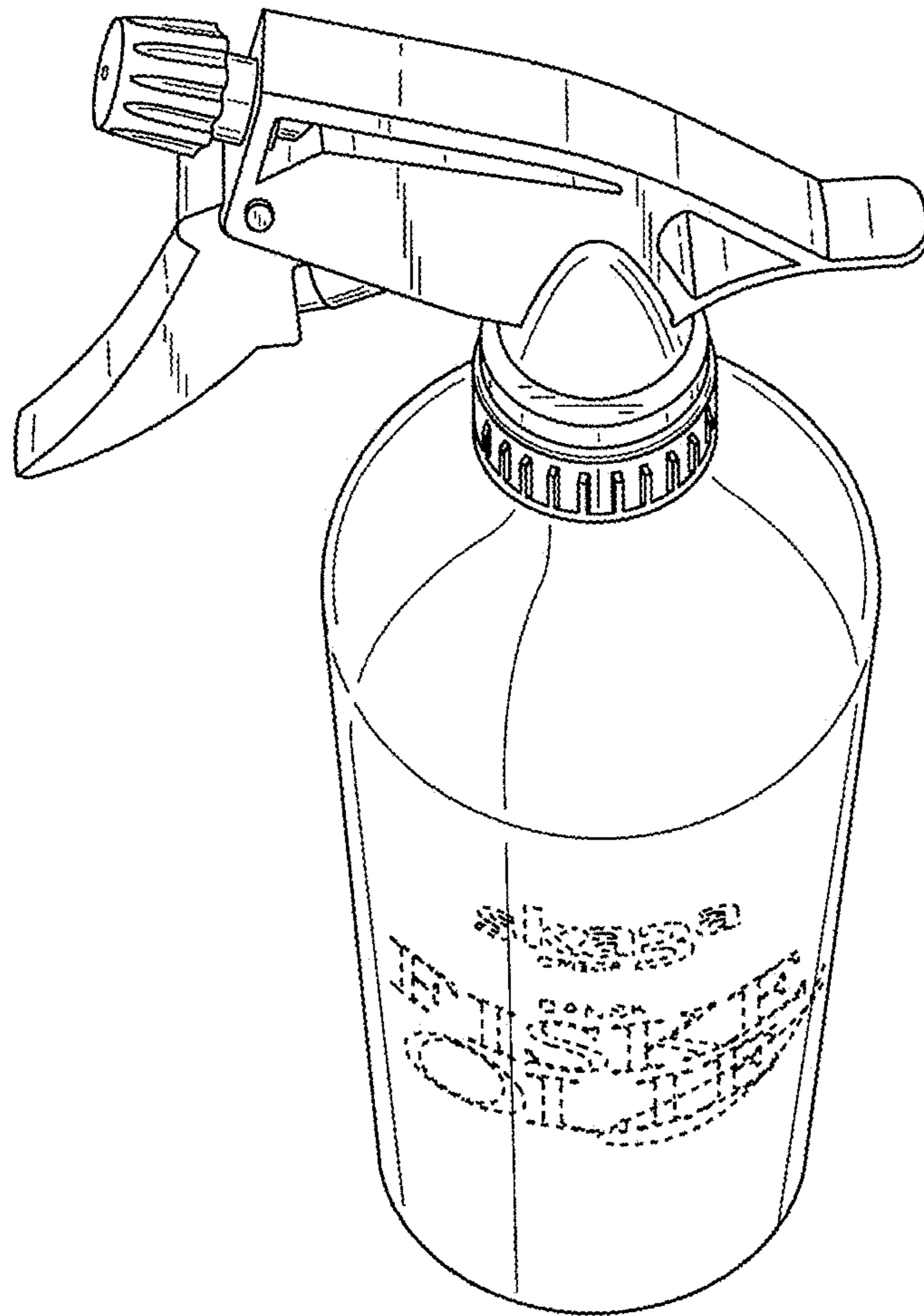


FIG. 1

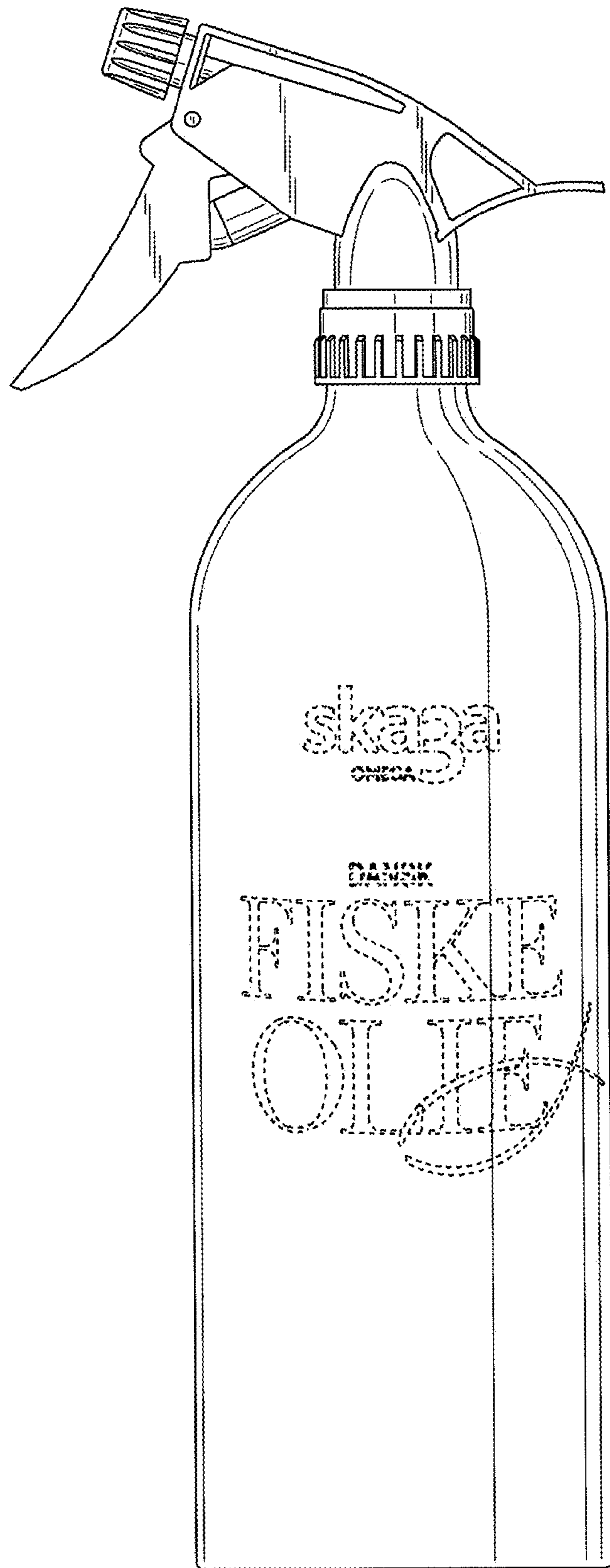


FIG. 2

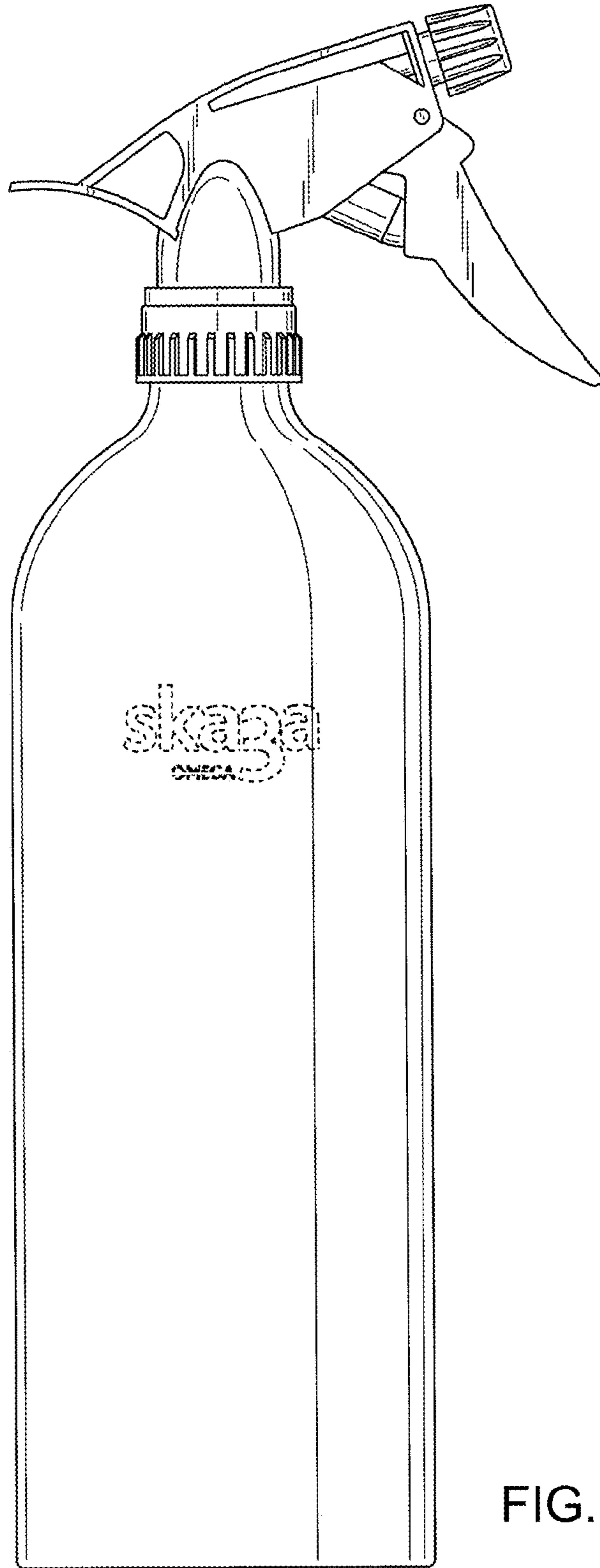


FIG. 3

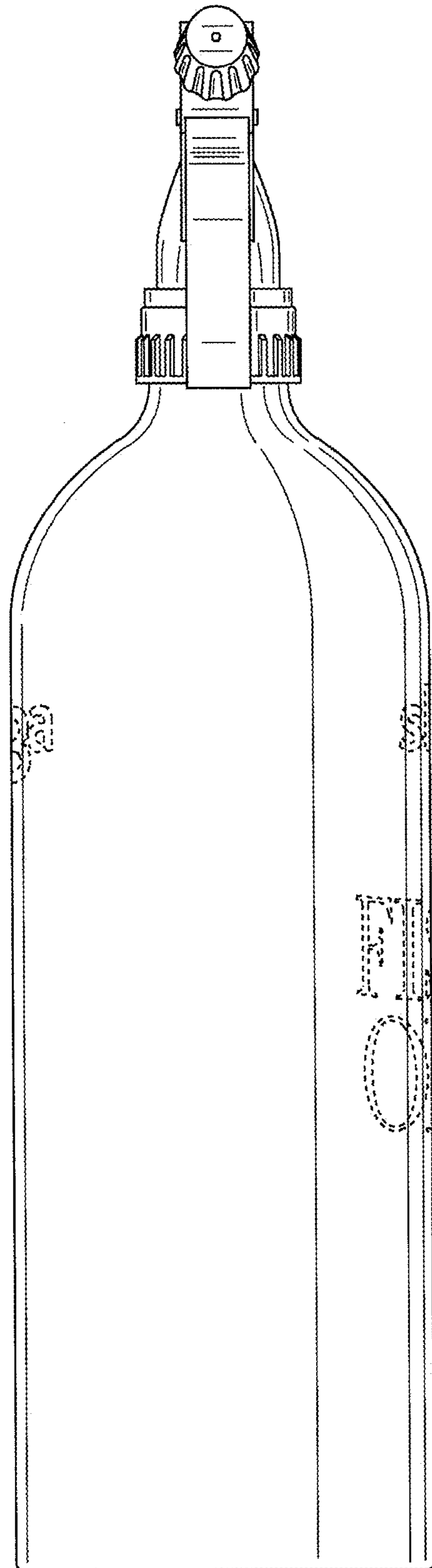


FIG. 4

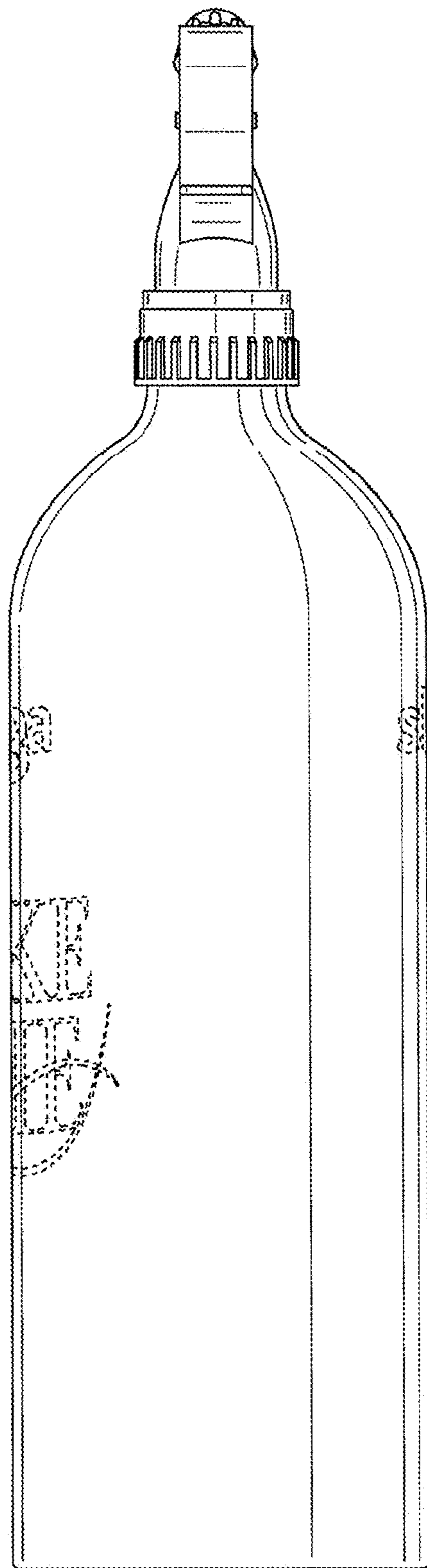


FIG. 5

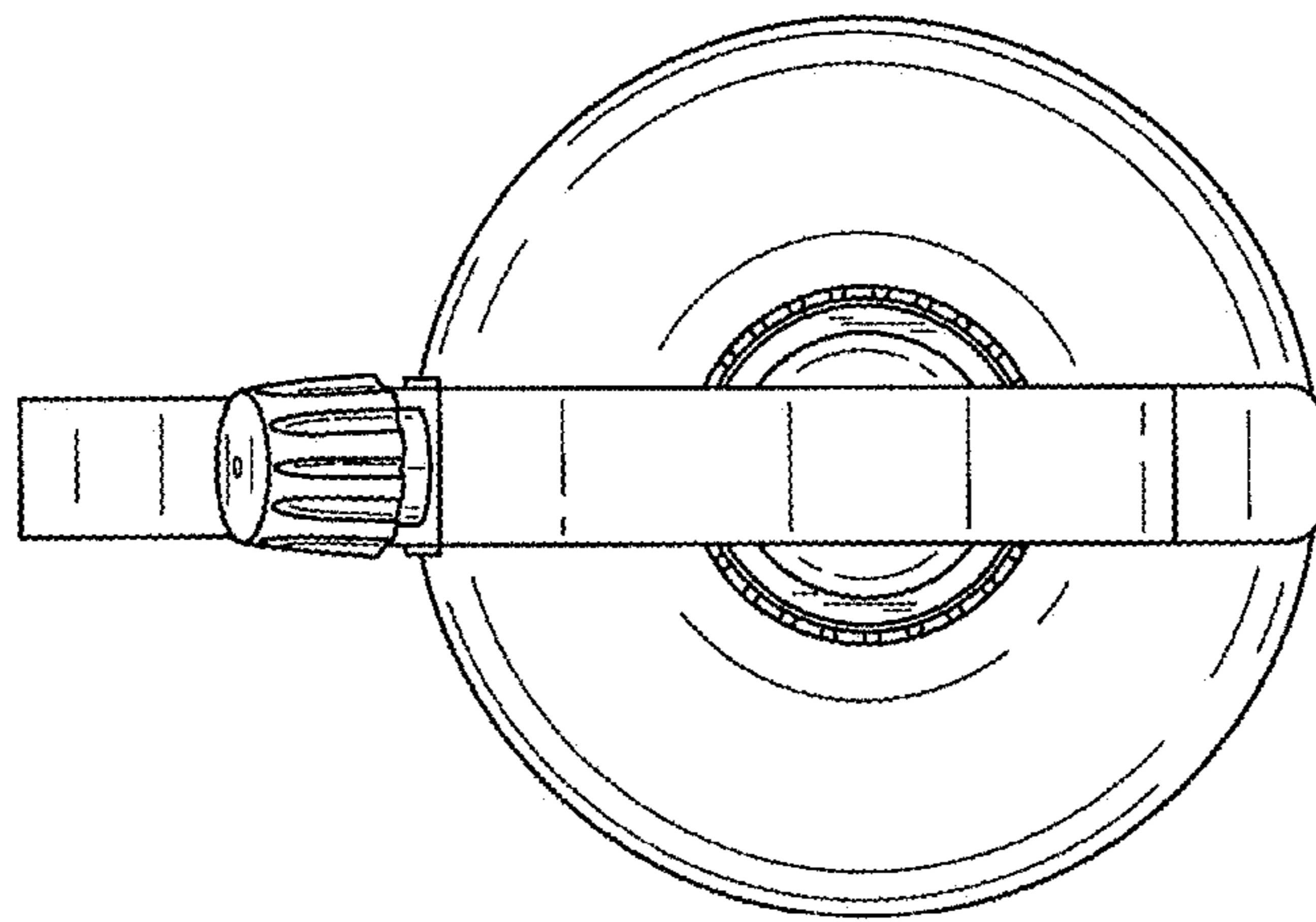


FIG. 6

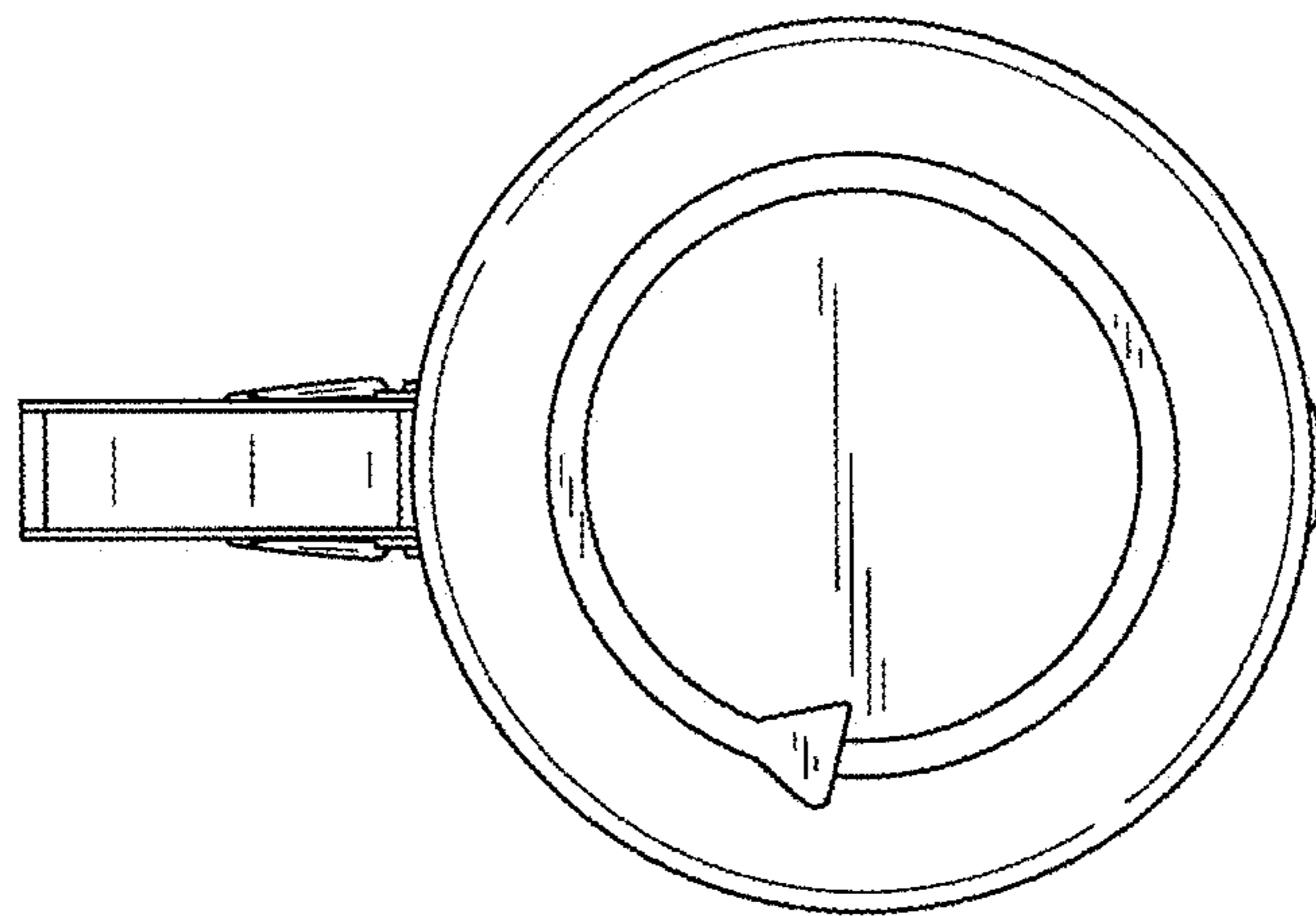


FIG. 7