



US00D744350S

(12) **United States Design Patent**
Nagata

(10) **Patent No.:** **US D744,350 S**

(45) **Date of Patent:** **** Dec. 1, 2015**

(54) **JAR**

(71) Applicant: **Kaori Nagata**, Tokyo (JP)

(72) Inventor: **Kaori Nagata**, Tokyo (JP)

(73) Assignee: **SHISEIDO CO., LTD.**, Tokyo (JP)

(**) Term: **14 Years**

(21) Appl. No.: **29/494,323**

(22) Filed: **Jun. 19, 2014**

(30) **Foreign Application Priority Data**

Dec. 24, 2013 (JP) D2013-030237

(51) **LOC (10) Cl.** **09-01**

(52) **U.S. Cl.**
USPC **D9/651**; D9/556; D9/559; D9/567;
D9/571; D9/453

(58) **Field of Classification Search**

USPC D3/270, 271.1-271.4; D7/514-520,
D7/599, 604, 613, 619.2, 623, 628;
D9/600, 651, 500, 502-505, 516,
D9/537-546, 548-550, 554-561, 566-575,
D9/434, 452-454; 206/457, 459.5, 527;
215/387-388, 381-384, 400
CPC B65D 5/4258; B65D 81/60; B65D 81/365;
B65D 81/366; B65D 81/368; B65D 2203/00;
B65D 2203/02

See application file for complete search history.

(56) **References Cited**

U.S. PATENT DOCUMENTS

D81,167 S *	5/1930	Teague	D9/651
D277,455 S *	2/1985	Tordjman	D9/546
D289,142 S *	4/1987	Bijaoui	D9/546
D365,516 S *	12/1995	Williamson	D9/651
D477,227 S *	7/2003	Goswell	D9/651
D519,845 S *	5/2006	Ortiz	D9/651
D573,026 S *	7/2008	Tsai	D9/651
D578,393 S *	10/2008	Canamasas Puigbo	D9/500
D708,789 S *	7/2014	Schlatter	D9/555

* cited by examiner

Primary Examiner — Sandra Morris

(74) *Attorney, Agent, or Firm* — Manabu Kanesaka

(57) **CLAIM**

The ornamental design for a jar, as shown and described.

DESCRIPTION

FIG. 1 is a perspective view of a jar showing my new design; FIG. 2 is a front view thereof, a rear view being identical to the front view thereof; FIG. 3 is a plan view thereof; FIG. 4 is a bottom view thereof; and, FIG. 5 is a right side view thereof, a left side view being identical to the right side view thereof. The broken lines in FIG. 4 are included for the purpose of illustrating a portion of the bottom that forms no part of the claimed design.

1 Claim, 3 Drawing Sheets

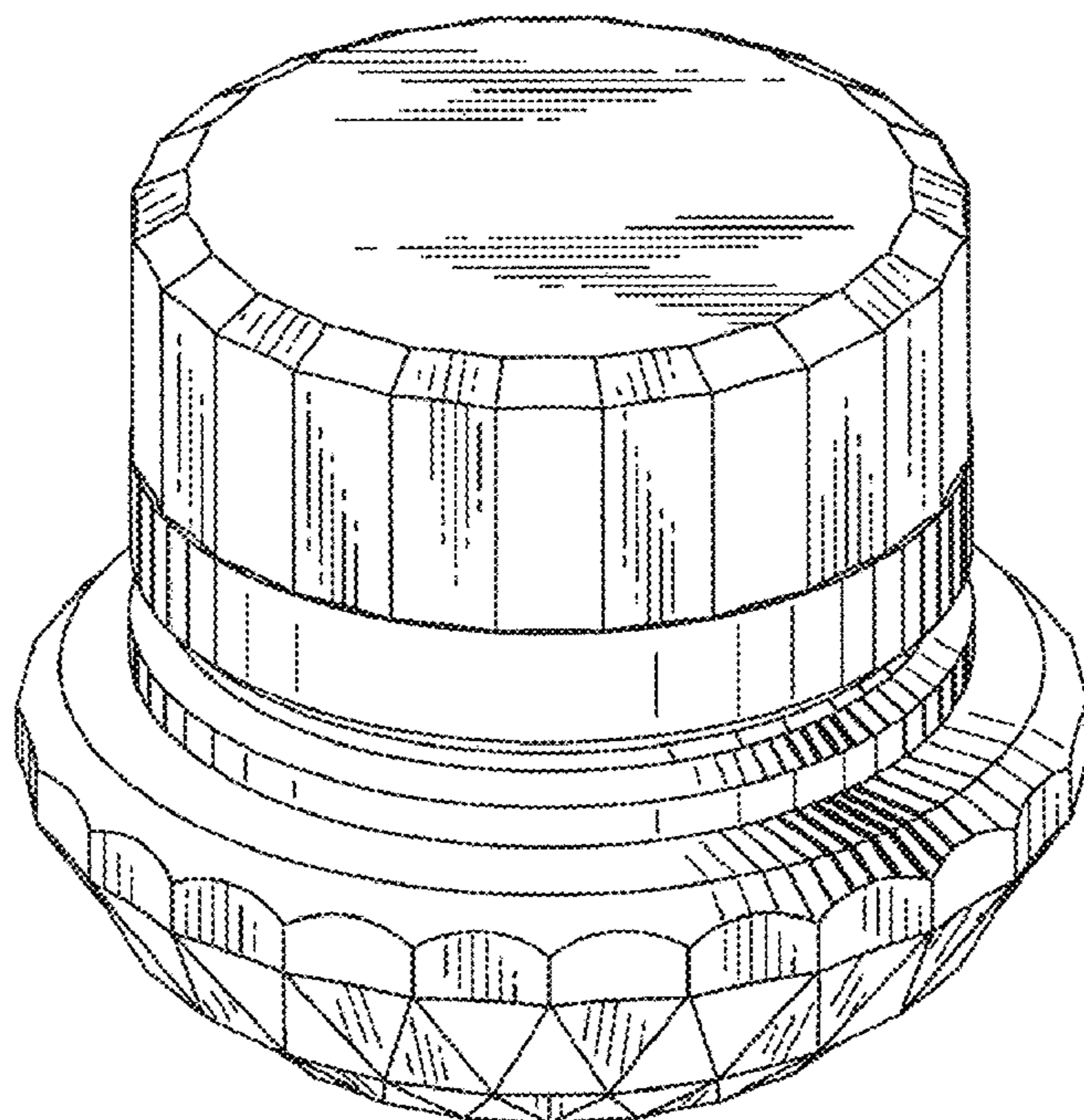


Fig. 1

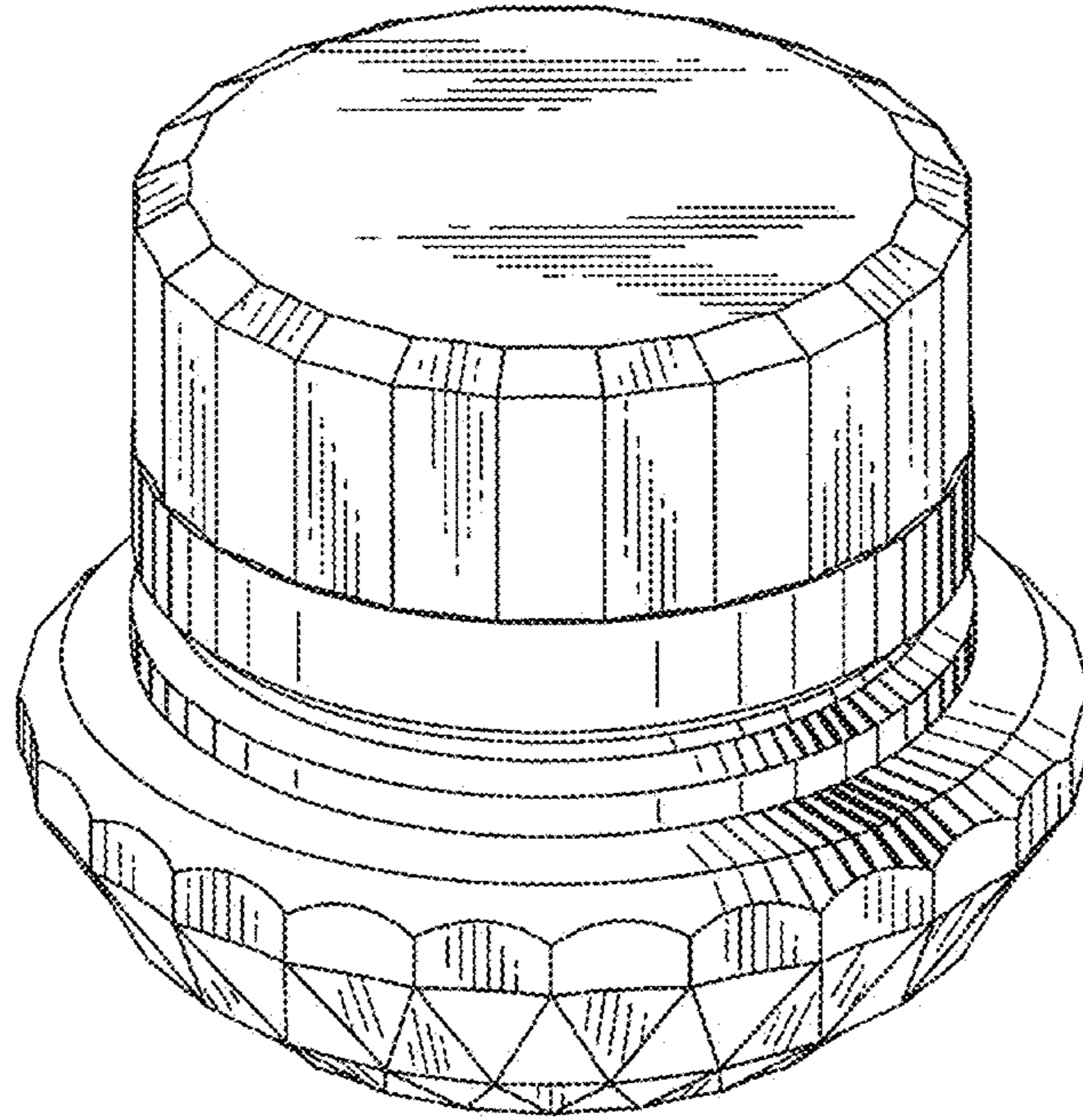


Fig. 2

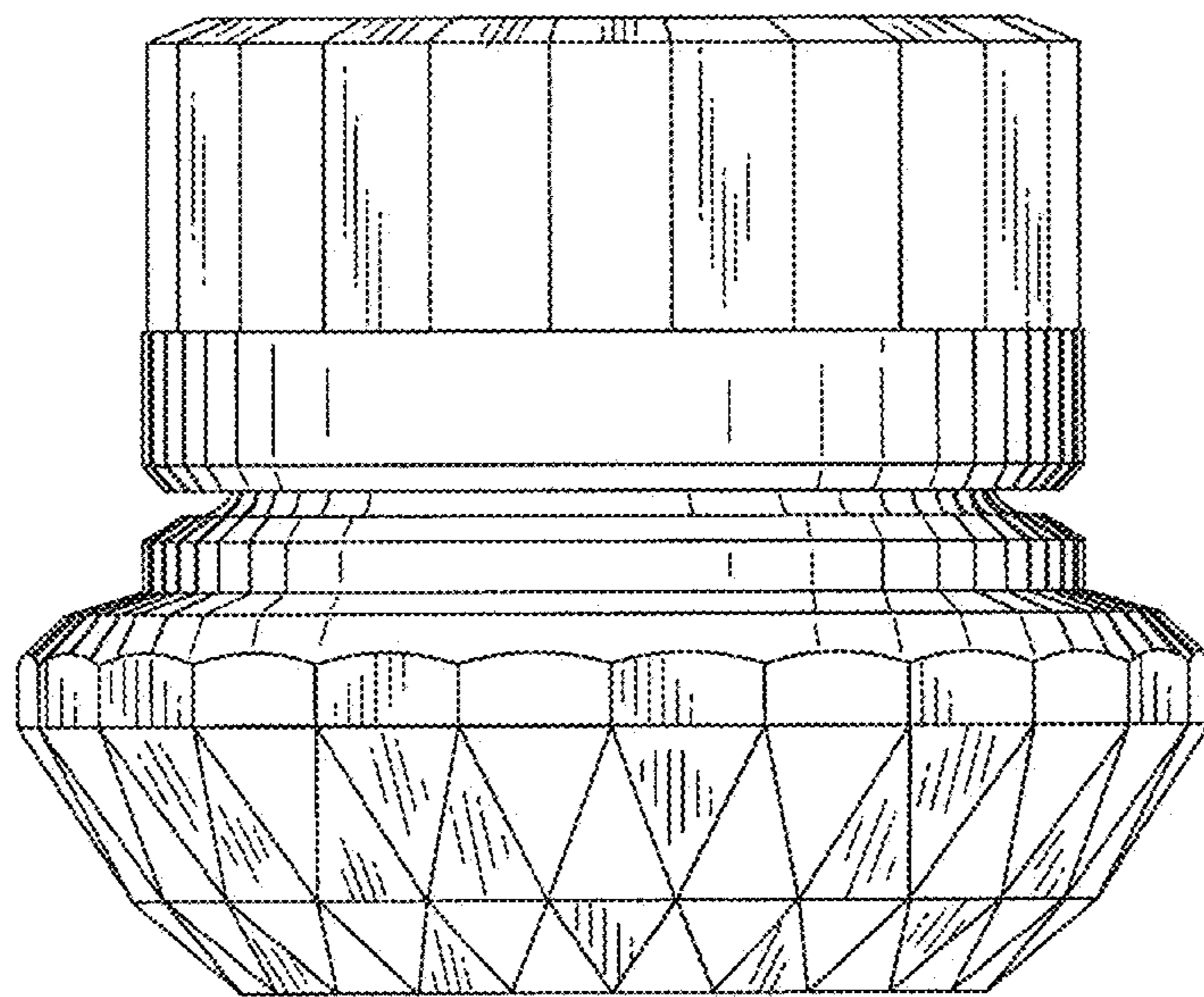


Fig. 3

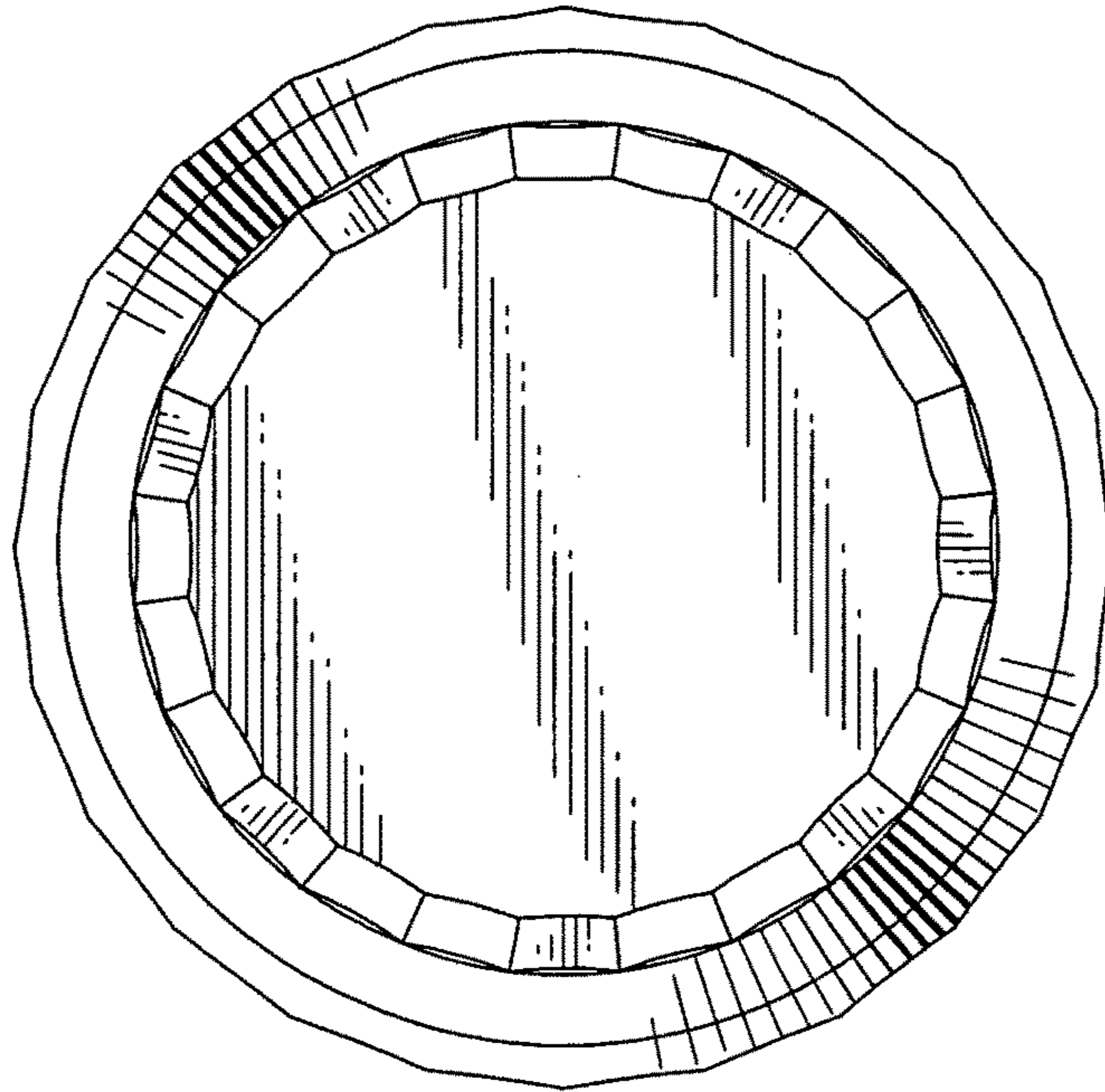


Fig. 4

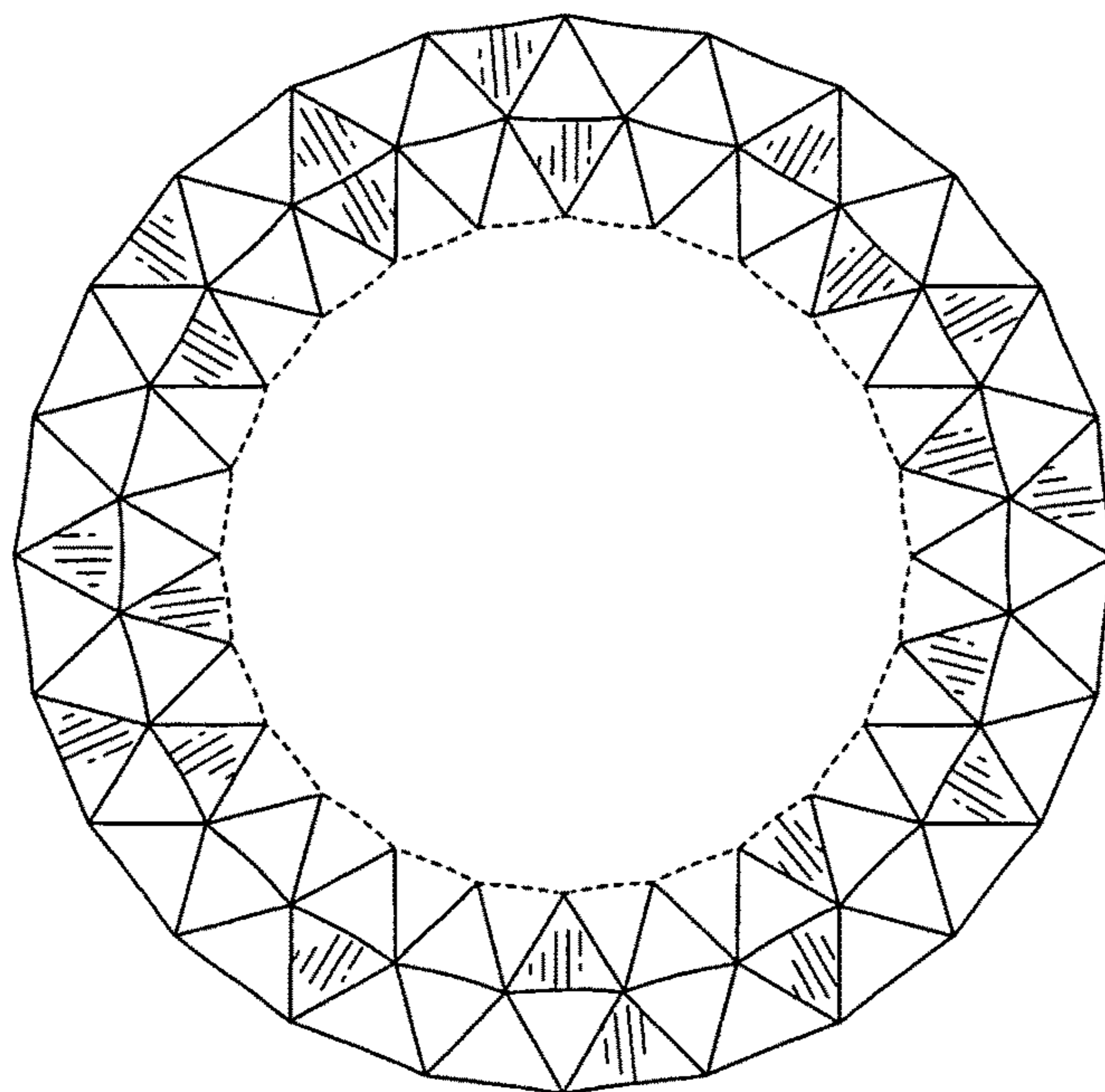


Fig. 5

