



US00D744343S

(12) **United States Design Patent**  
**Kahlau**

(10) **Patent No.:** **US D744,343 S**  
(45) **Date of Patent:** **\*\* Dec. 1, 2015**

- (54) **SQUEEZE BOTTLE**
- (71) Applicant: **SQUIP, INC.**, Lebanon, NJ (US)
- (72) Inventor: **Hans Kahlau**, Bridgewater, NJ (US)
- (73) Assignee: **SQUIP, INC.**, Lebanon, NJ (US)
- (\*\*) Term: **14 Years**
- (21) Appl. No.: **29/439,775**
- (22) Filed: **Dec. 14, 2012**
- (51) **LOC (10) Cl.** ..... **09-01**
- (52) **U.S. Cl.**  
USPC ..... **D9/526**
- (58) **Field of Classification Search**  
USPC ..... D7/300, 304, 312, 589; D9/516, 523,  
D9/525, 526, 527, 528, 529, 530, 547, 551,  
D9/552, 564, 565, 682, 693, 723, 724,  
D9/730; D24/107, 108, 112, 115, 117,  
D24/118; 222/211; 604/27, 36, 37, 48,  
604/93.01, 94.01, 275, 278  
See application file for complete search history.

(56) **References Cited**

**U.S. PATENT DOCUMENTS**

797,365	A *	8/1905	Meinecke	604/215
1,185,649	A *	6/1916	Fowler	604/257
1,559,013	A *	10/1925	Smith	215/204
D250,601	S	12/1978	Pick et al.	
D495,954	S *	9/2004	Solomon	D9/526
D627,057	S *	11/2010	Gallo	D24/108
D627,458	S *	11/2010	Bisson et al.	D24/115

8,409,152	B2 *	4/2013	Hair	604/275
D693,566	S *	11/2013	Martin	D3/202
8,888,752	B2 *	11/2014	Cacka et al.	604/278

**OTHER PUBLICATIONS**

Screen capture of website <http://www.nasopure.com/> as of Jan. 3, 2013.

Screen captures of Yahoo! web search located at [http://images.search.yahoo.com/search/images?\\_adv\\_prop=image&fr=yfp-t-701&sz=all&va=neti+pot](http://images.search.yahoo.com/search/images?_adv_prop=image&fr=yfp-t-701&sz=all&va=neti+pot) dated Jan. 3, 2013, and copies of the images from that web page.

Statement by Hans Kahlau dated Jan. 16, 2013.

\* cited by examiner

*Primary Examiner* — Susan Bennett Hattan

*Assistant Examiner* — Leanne Was

(74) *Attorney, Agent, or Firm* — Fox Rothschild LLP

(57) **CLAIM**

The ornamental design for a squeeze bottle, as shown and described.

**DESCRIPTION**

FIG. 1 is a perspective view of the back and right side of a squeeze bottle showing my new design.

FIG. 2 is a back view thereof.

FIG. 3 is a front view thereof.

FIG. 4 is a left view thereof.

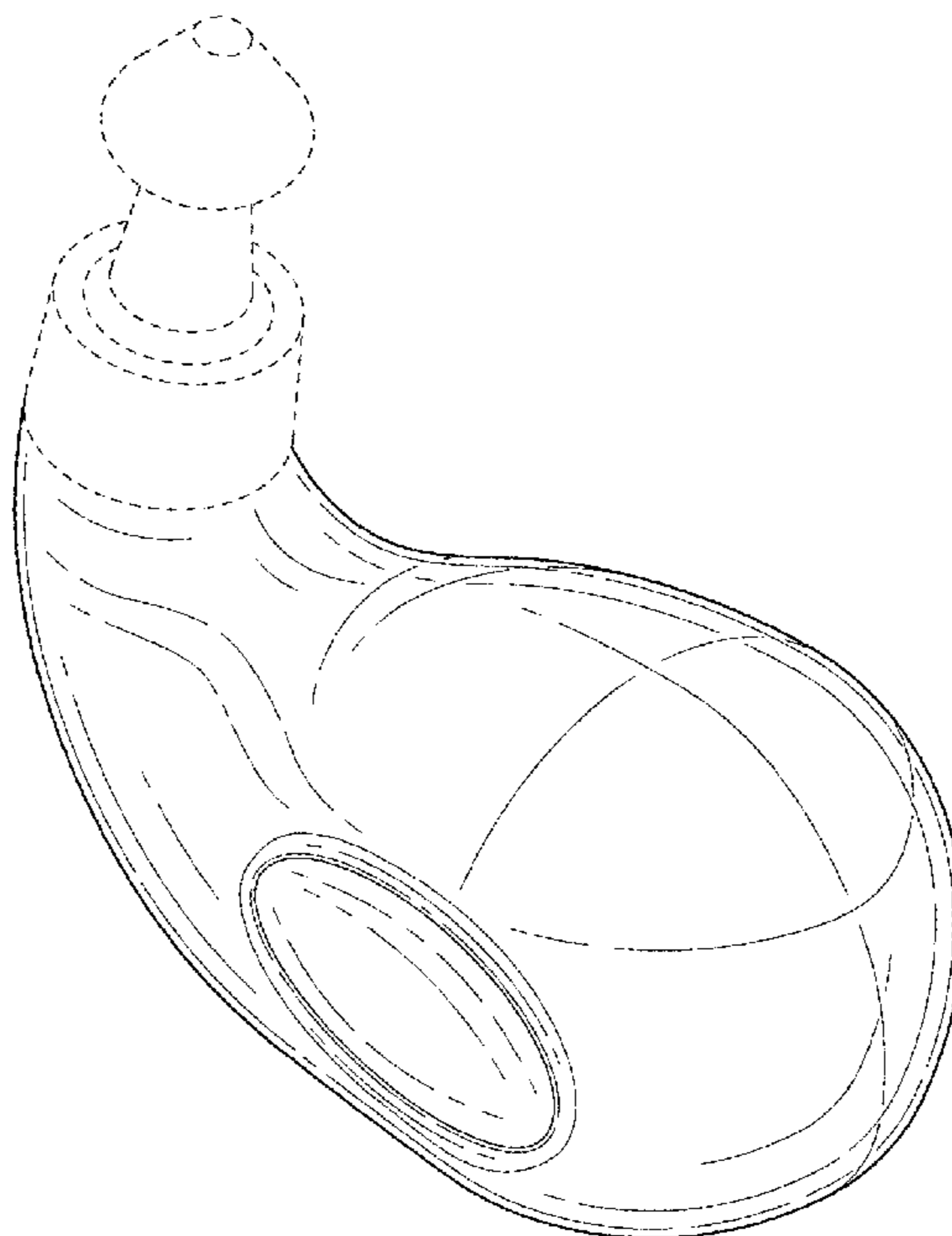
FIG. 5 is a right view thereof.

FIG. 6 is a top view thereof; and,

FIG. 7 is a bottom view thereof.

The broken lines in the figures depict portions of the squeeze bottle that form no part of the claimed design.

**1 Claim, 4 Drawing Sheets**



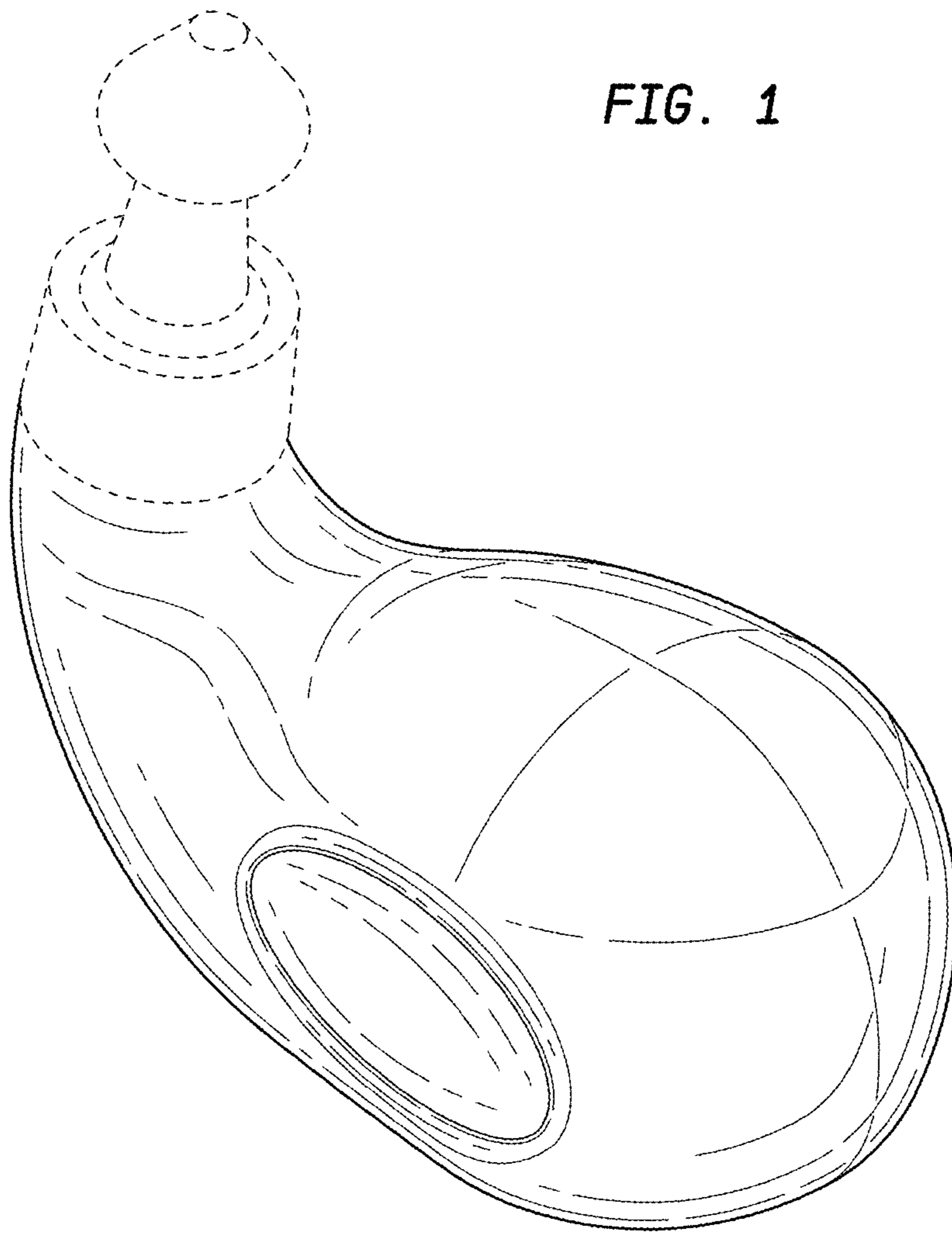
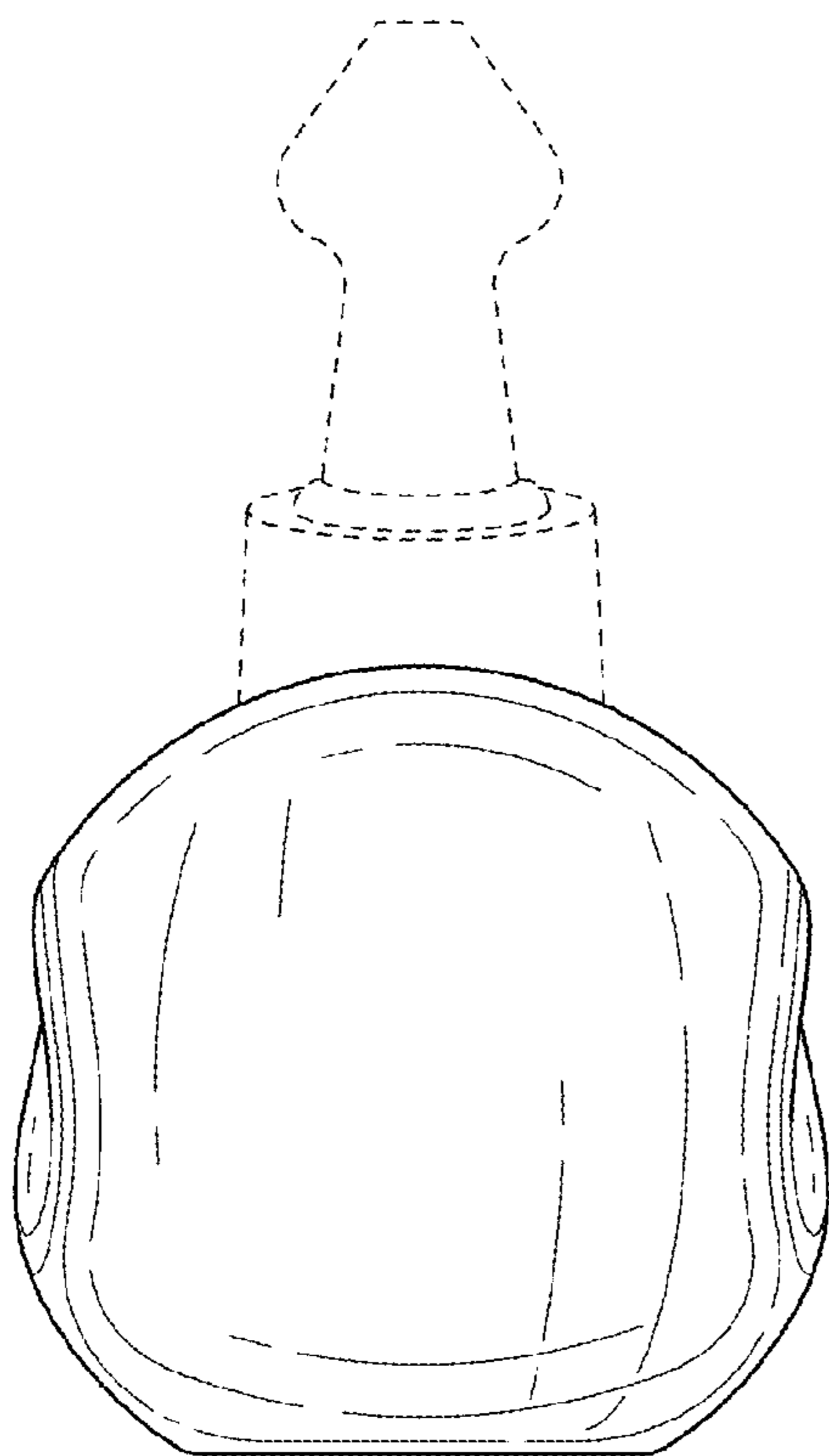


FIG. 1

*FIG. 2*



*FIG. 3*

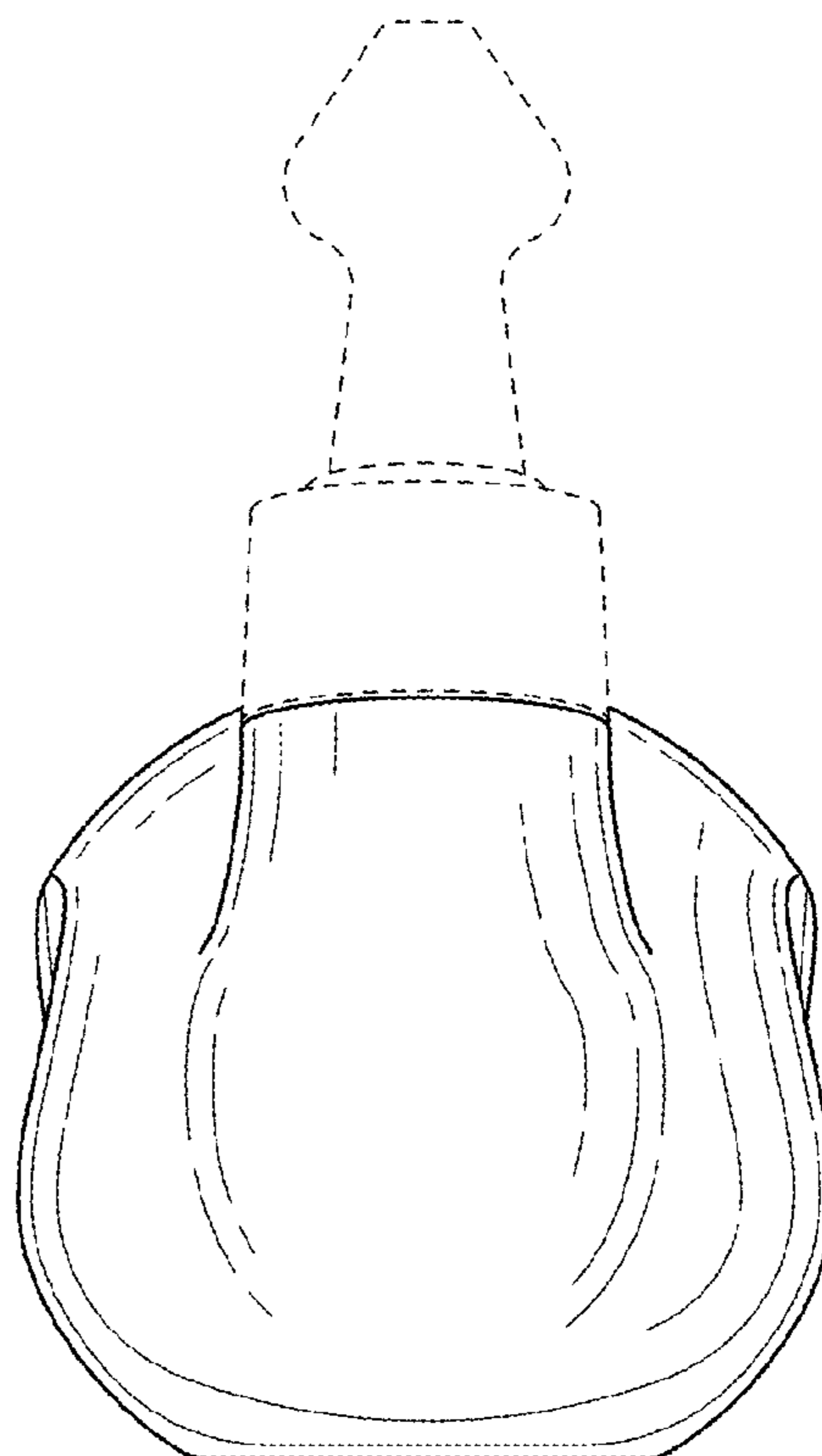


FIG. 4

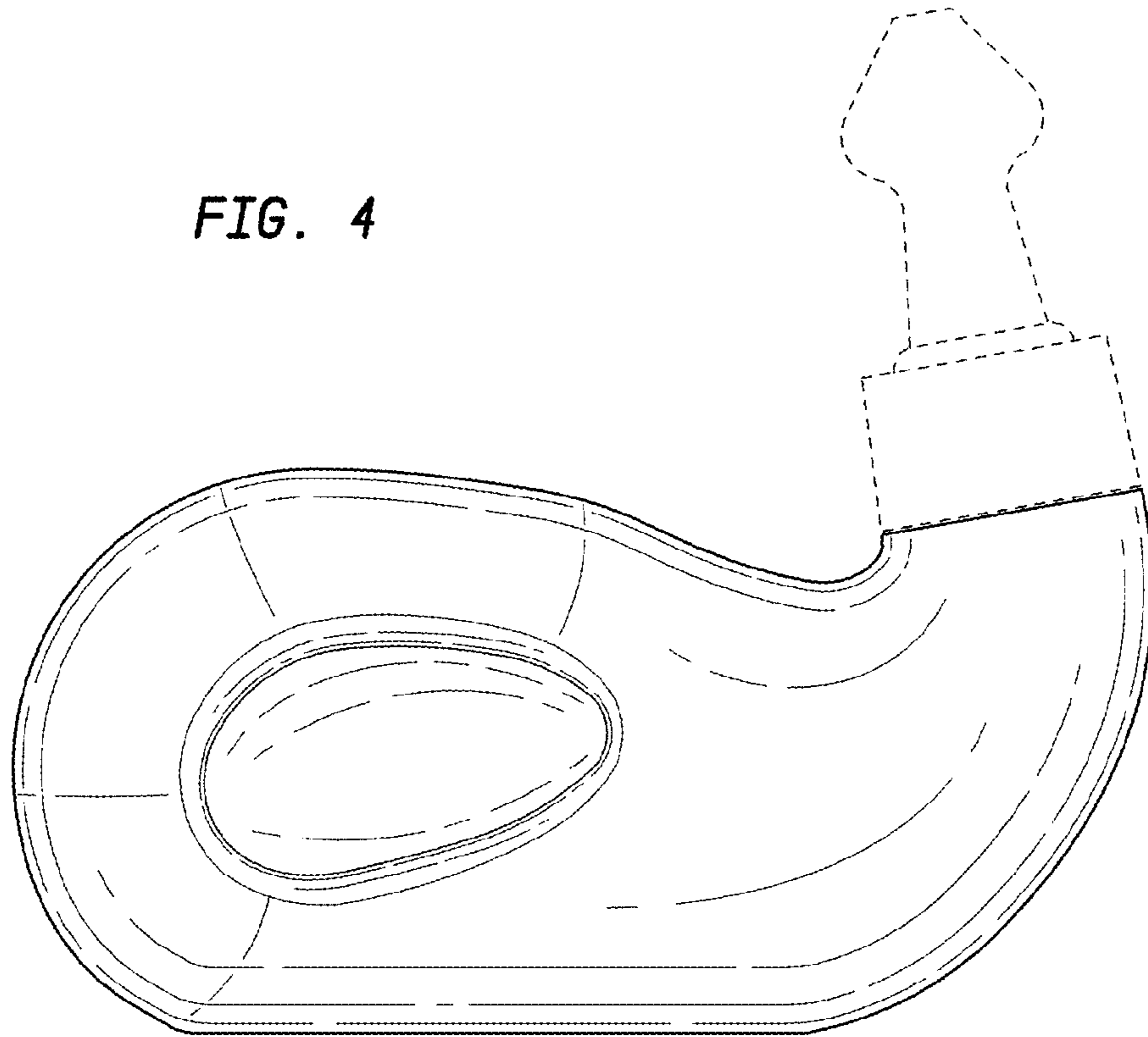


FIG. 5

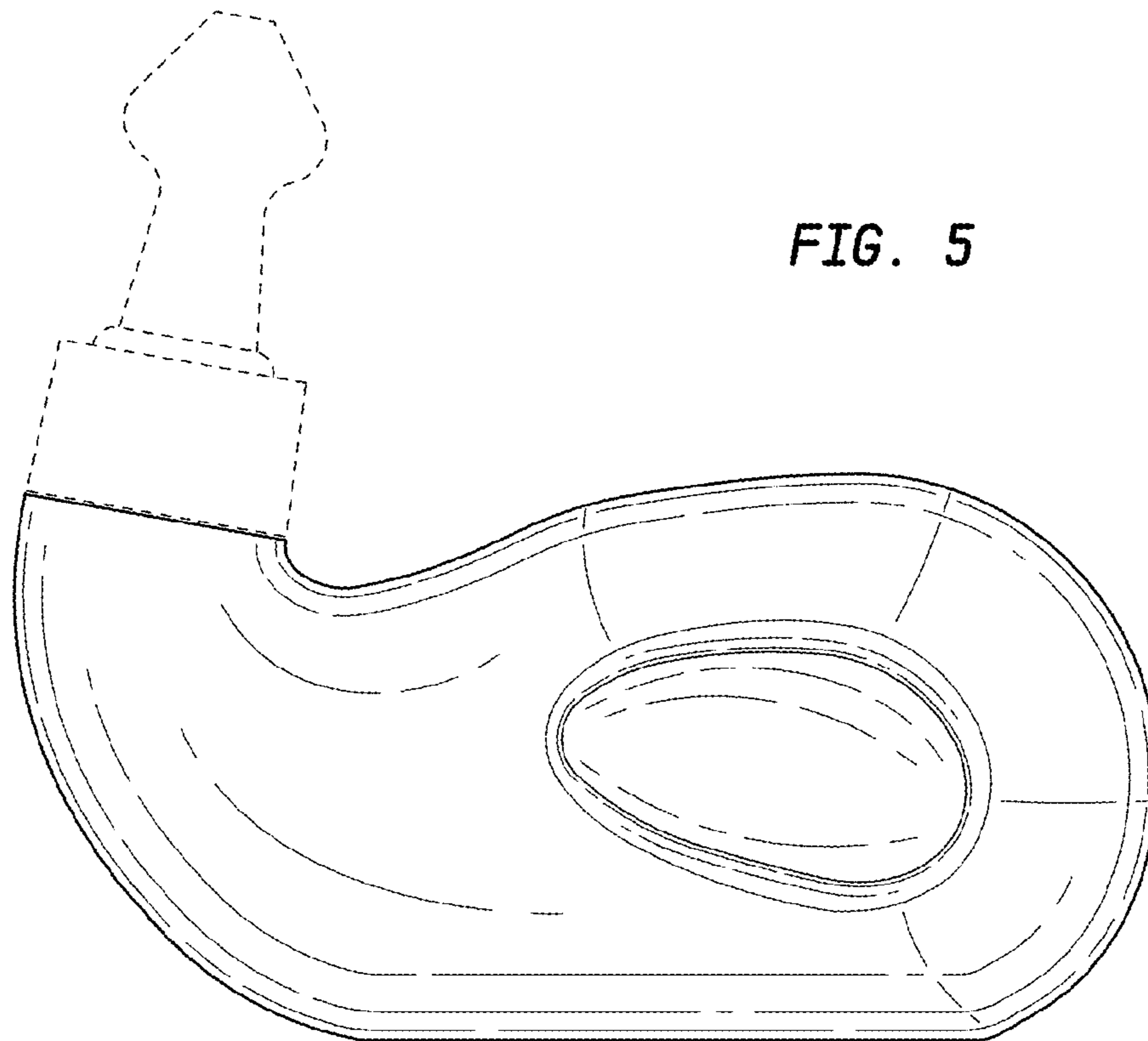


FIG. 6

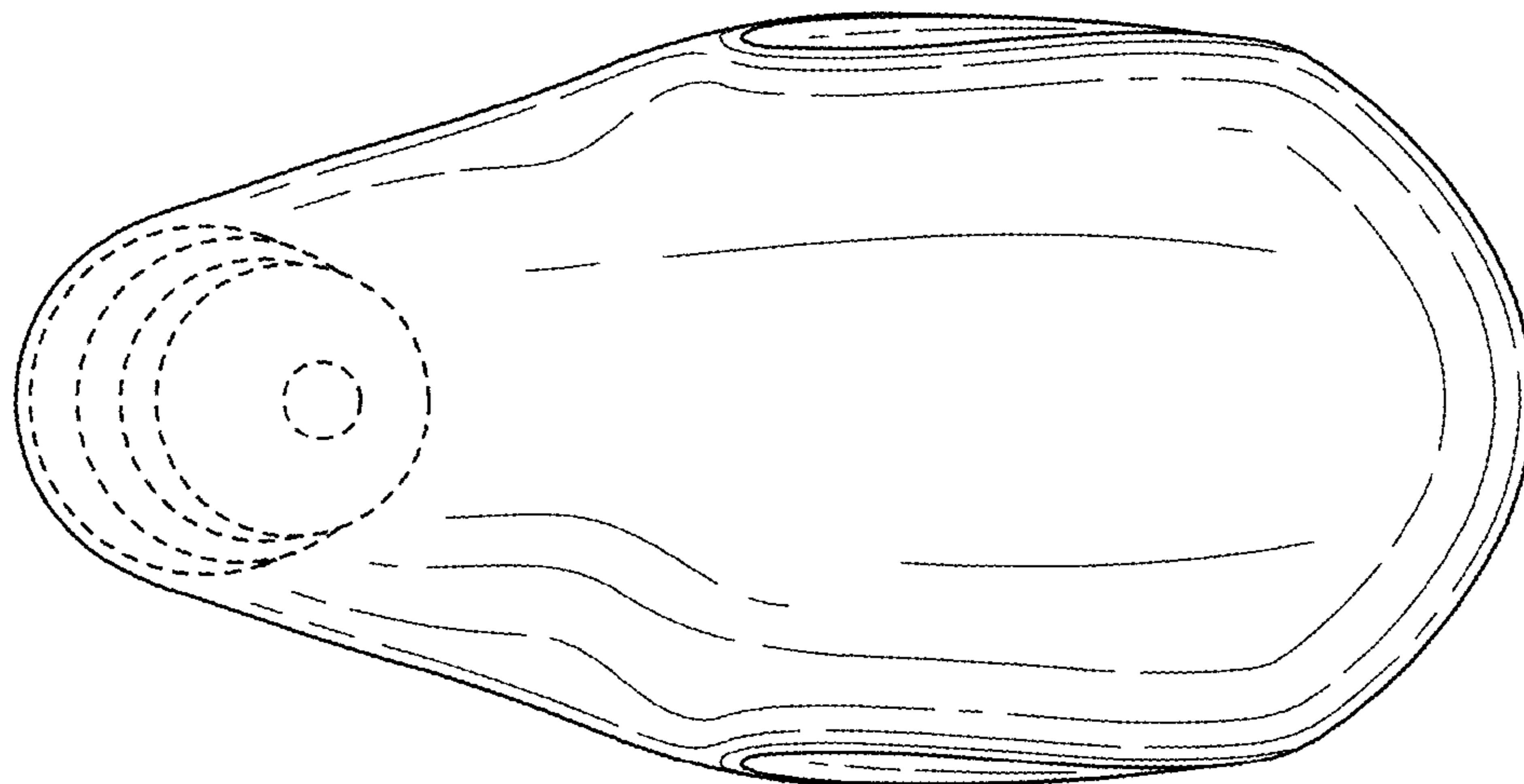


FIG. 7

