



US00D744331S

(12) **United States Design Patent**  
**Vos et al.**

(10) **Patent No.:** **US D744,331 S**  
(45) **Date of Patent:** **\*\* Dec. 1, 2015**

(54) **PACKAGE**

(75) Inventors: **Kristie L. Vos**, Marne, MI (US);  
**Matthew D. Hansen**, Rockford, MI  
(US); **Lynn L. Hitchcock**, Kentwood,  
MI (US); **Michael J. Cramblet**,  
Muskegon, MI (US); **Elliott R. Eckert**,  
Grand Rapids, MI (US); **George**  
**Raimer**, Saranac, MI (US)

5,873,514	A	2/1999	Brooks	
5,899,334	A	5/1999	Domerchie et al.	
D413,261	S	8/1999	Yerich	
6,070,723	A	6/2000	Lewis	
6,247,590	B1	6/2001	Baker	
6,279,746	B1	8/2001	Hussaini et al.	
6,779,658	B2	8/2004	Polloni et al.	
D554,991	S	11/2007	Donnelly	
D658,494	S	* 5/2012	Raimer et al.	..... D9/431
2005/0252812	A1	11/2005	Lewis	
2008/0128478	A1	6/2008	Quadrelli	

(73) Assignee: **TRICO PRODUCTS CORPORATION**, Buffalo, NY (US)

**FOREIGN PATENT DOCUMENTS**

(\*\*) Term: **14 Years**

JP 07251862 10/1995

(21) Appl. No.: **29/390,266**

\* cited by examiner

(22) Filed: **Apr. 22, 2011**

*Primary Examiner* — Catherine Tuttle

(74) *Attorney, Agent, or Firm* — Howard & Howard Attorneys PLLC

**Related U.S. Application Data**

(63) Continuation of application No. 29/333,594, filed on Mar. 12, 2009, now abandoned.

(51) **LOC (10) Cl.** ..... **09-03**

(52) **U.S. Cl.**

USPC ..... **D9/431**; D9/414

(58) **Field of Classification Search**

USPC ..... D9/702, 711, 715, 721, 722, 414, 415,  
D9/416, 418, 420, 425, 430, 431, 432, 433,  
D9/434, 435, 443, 444, 456, 499;  
206/209.1, 361-362.4, 368, 369, 63.5,  
206/461-471, 806; 229/100, 102.5, 103.2,  
229/108-116.1, 116.4, 117.09, 117.12,  
229/117.18, 117.23, 117.24, 922

See application file for complete search history.

(56) **References Cited**

**U.S. PATENT DOCUMENTS**

1,152,471	A	9/1915	Anthony
D251,896	S	5/1979	Nissen
4,283,001	A	8/1981	Meyers
D327,013	S	6/1992	Reighart
D337,206	S	7/1993	Crawford
D347,170	S	5/1994	Due et al.

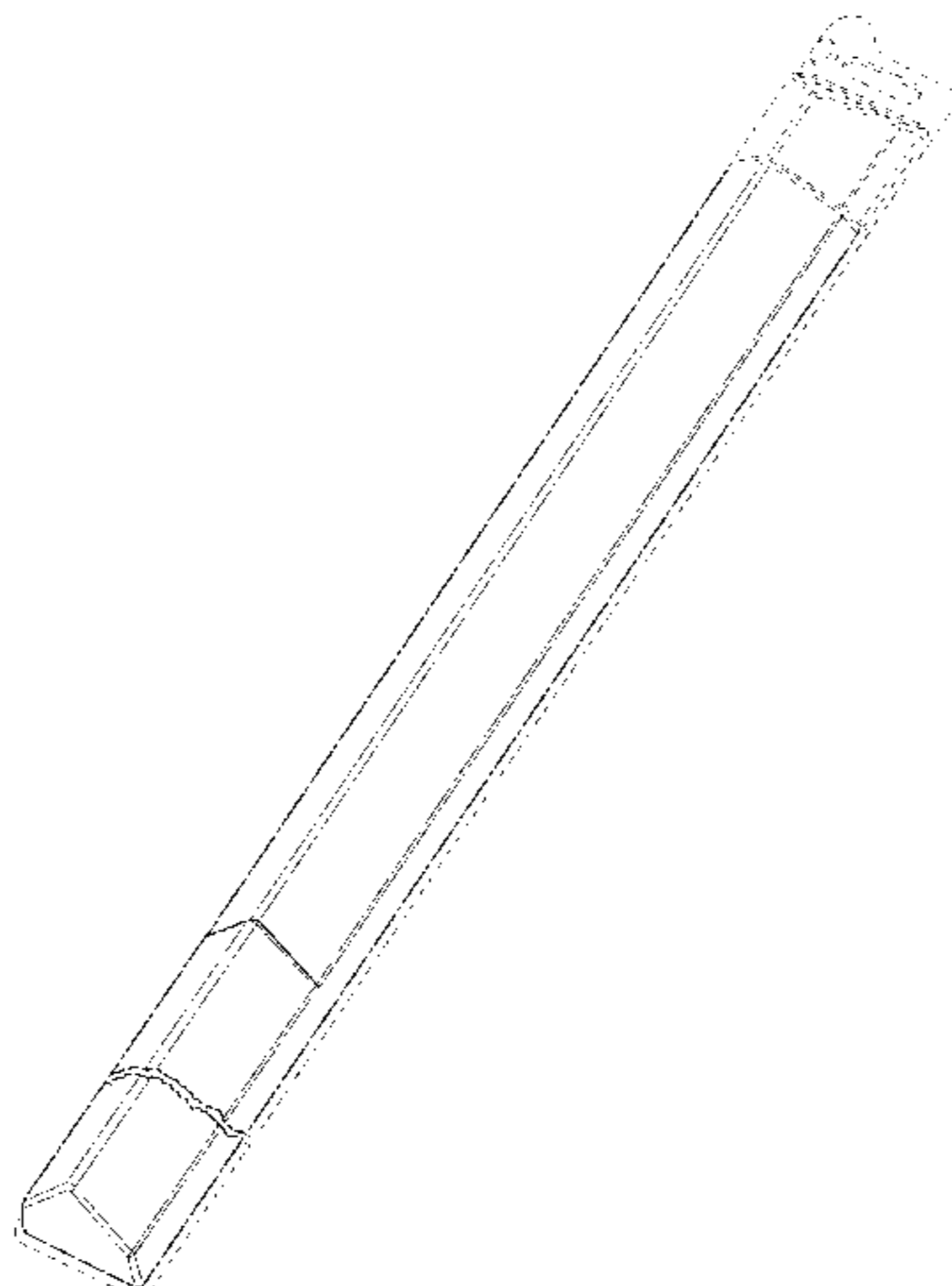
(57) **CLAIM**

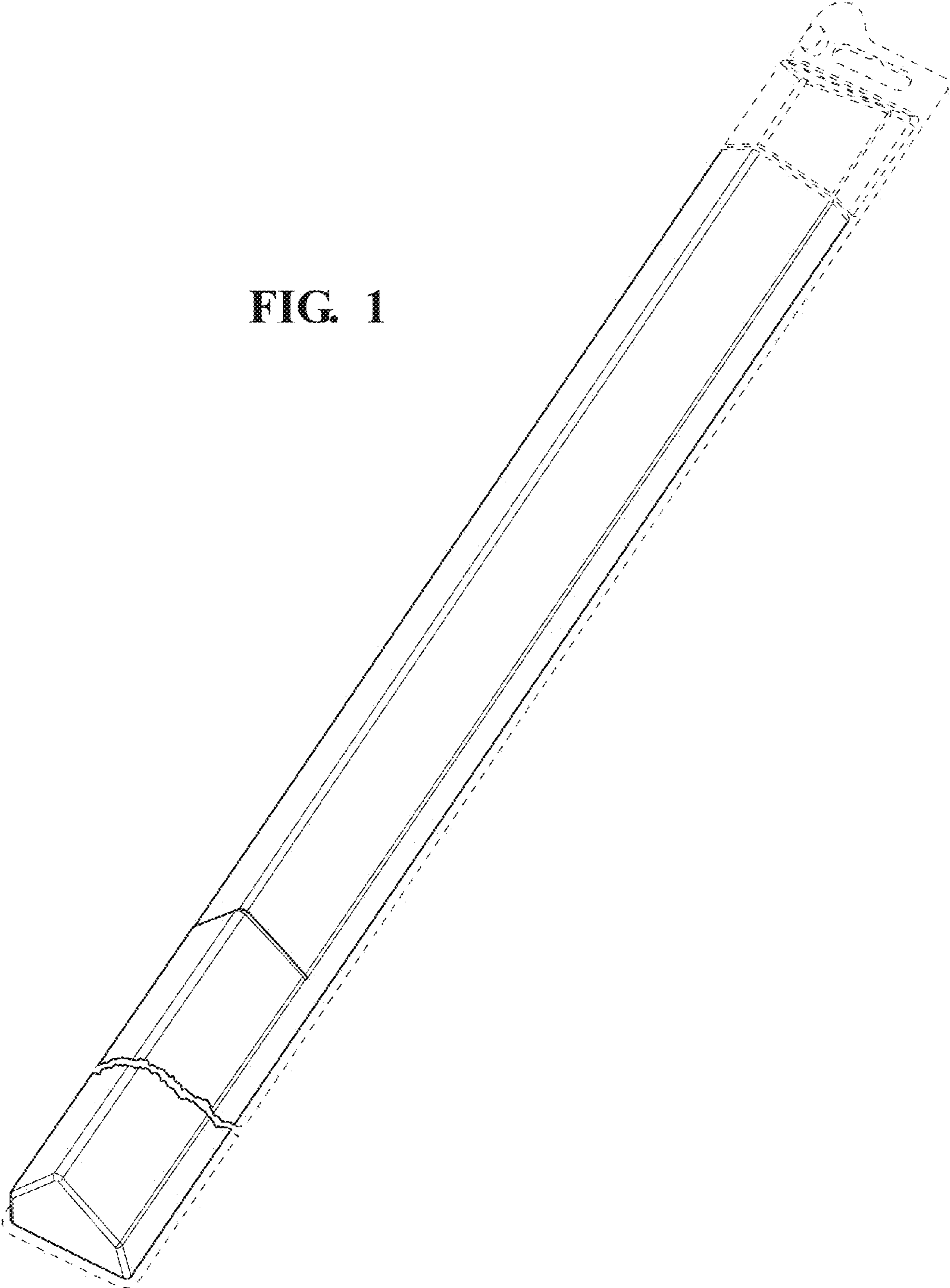
The ornamental design for a package, as shown and described.

**DESCRIPTION**

FIG. 1 is a bottom, front perspective view of the package showing our new design;  
FIG. 2 is an enlarged scale top, front perspective view thereof;  
FIG. 3 is a reduced scale front view thereof;  
FIG. 4 is a rear view thereof;  
FIG. 5 is a left side view thereof;  
FIG. 6 is a right side view thereof;  
FIG. 7 is an enlarged scale top view thereof;  
FIG. 8 is a bottom view thereof; and,  
FIG. 9 is a reduced scale bottom, front perspective view thereof with a door in an open position.  
The broken lines shown in FIGS. 1-9 represent portions of the package that form no part of the claimed design. Further, the broken lines immediately adjacent the solid-line portions of the design define the boundary of the design, but do not themselves form part of the claimed design.  
FIGS. 1-6 and 9 show a break in the package.

**1 Claim, 5 Drawing Sheets**





**FIG. 1**

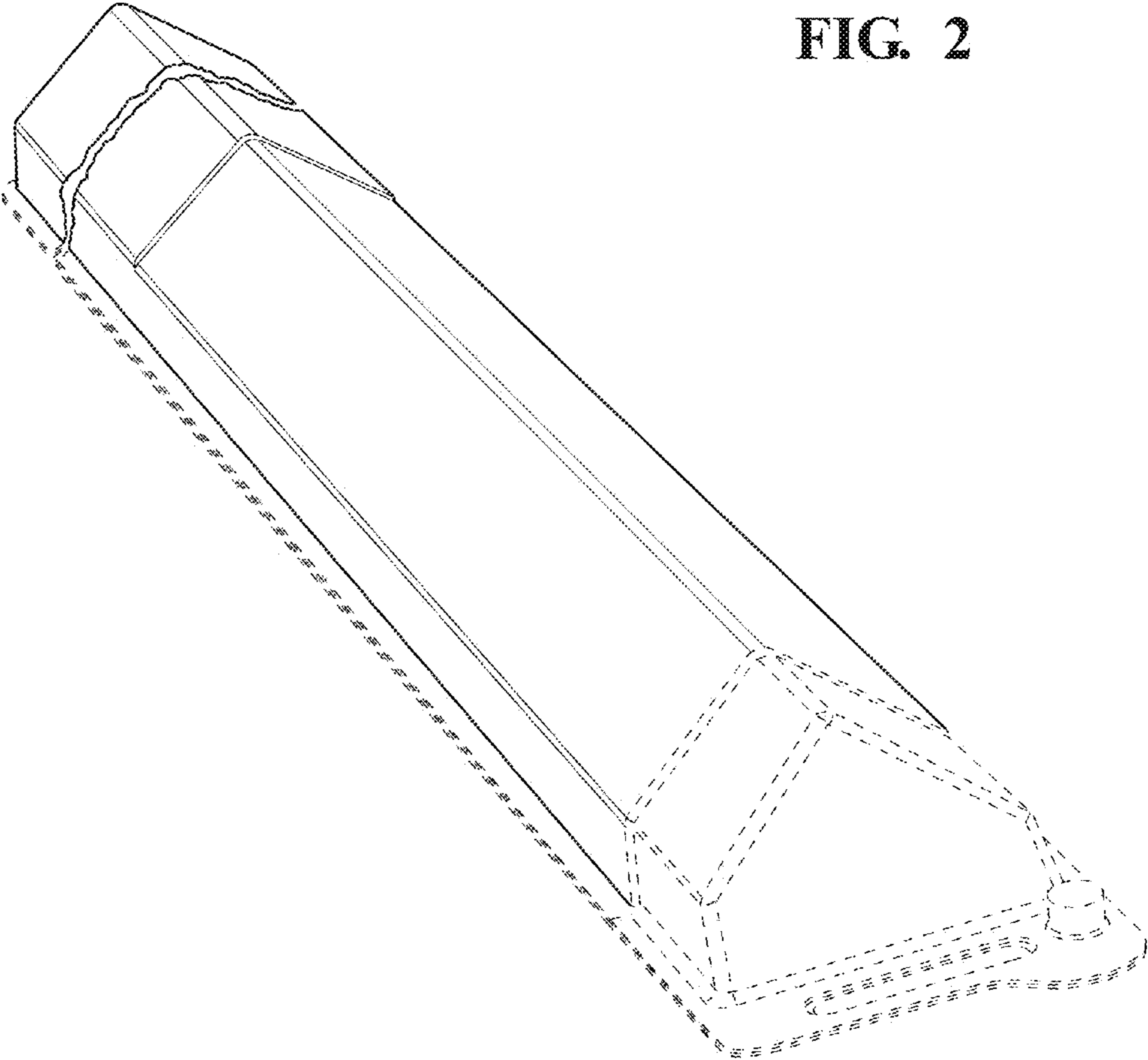


FIG. 2

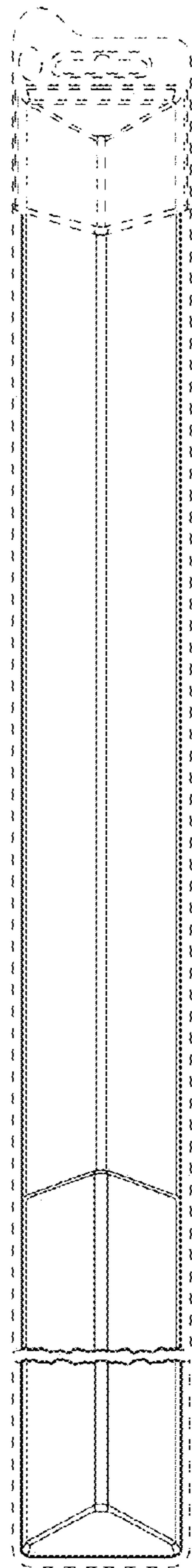


FIG. 3

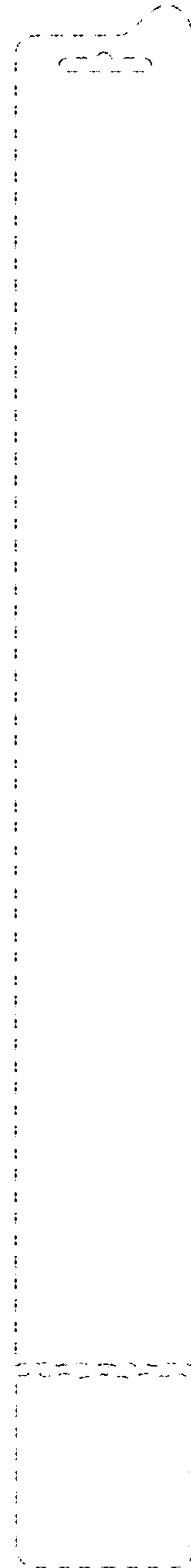


FIG. 4

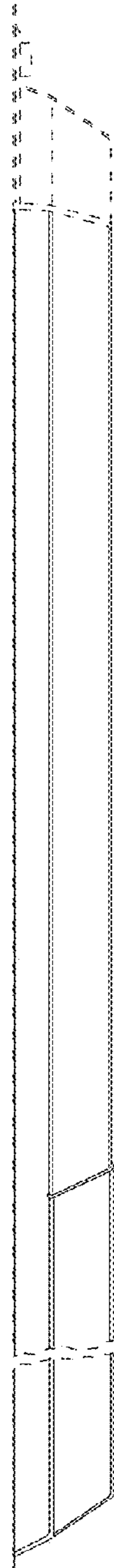
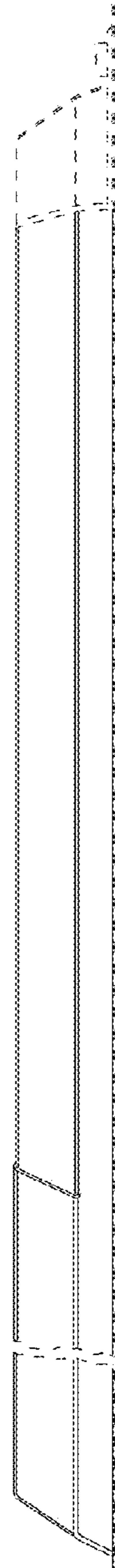
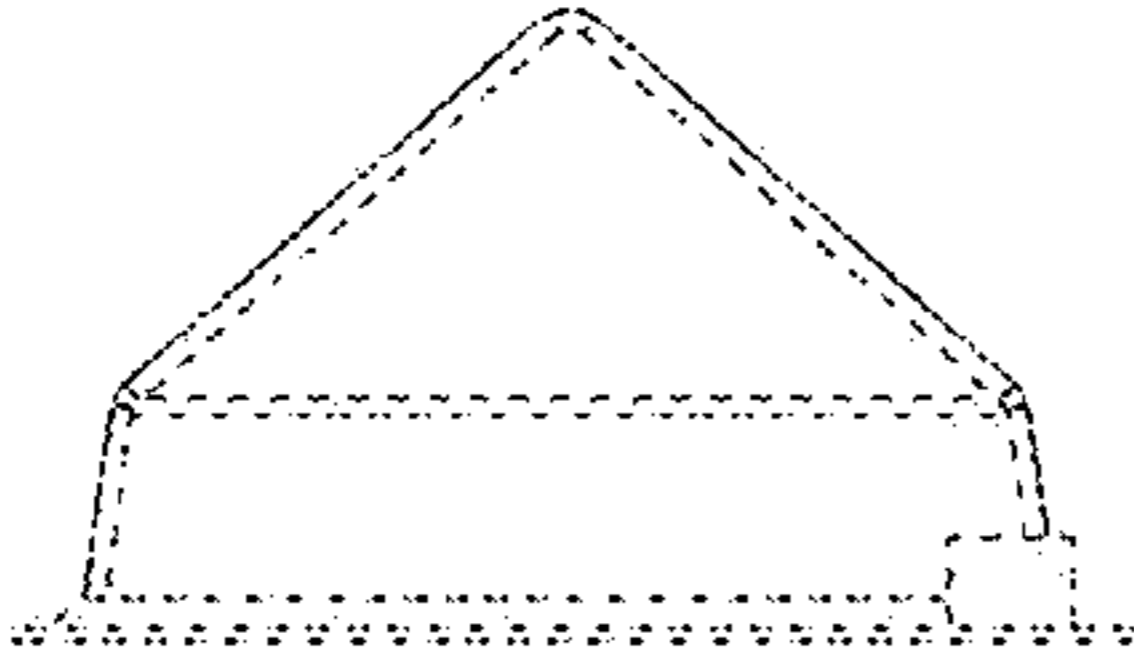


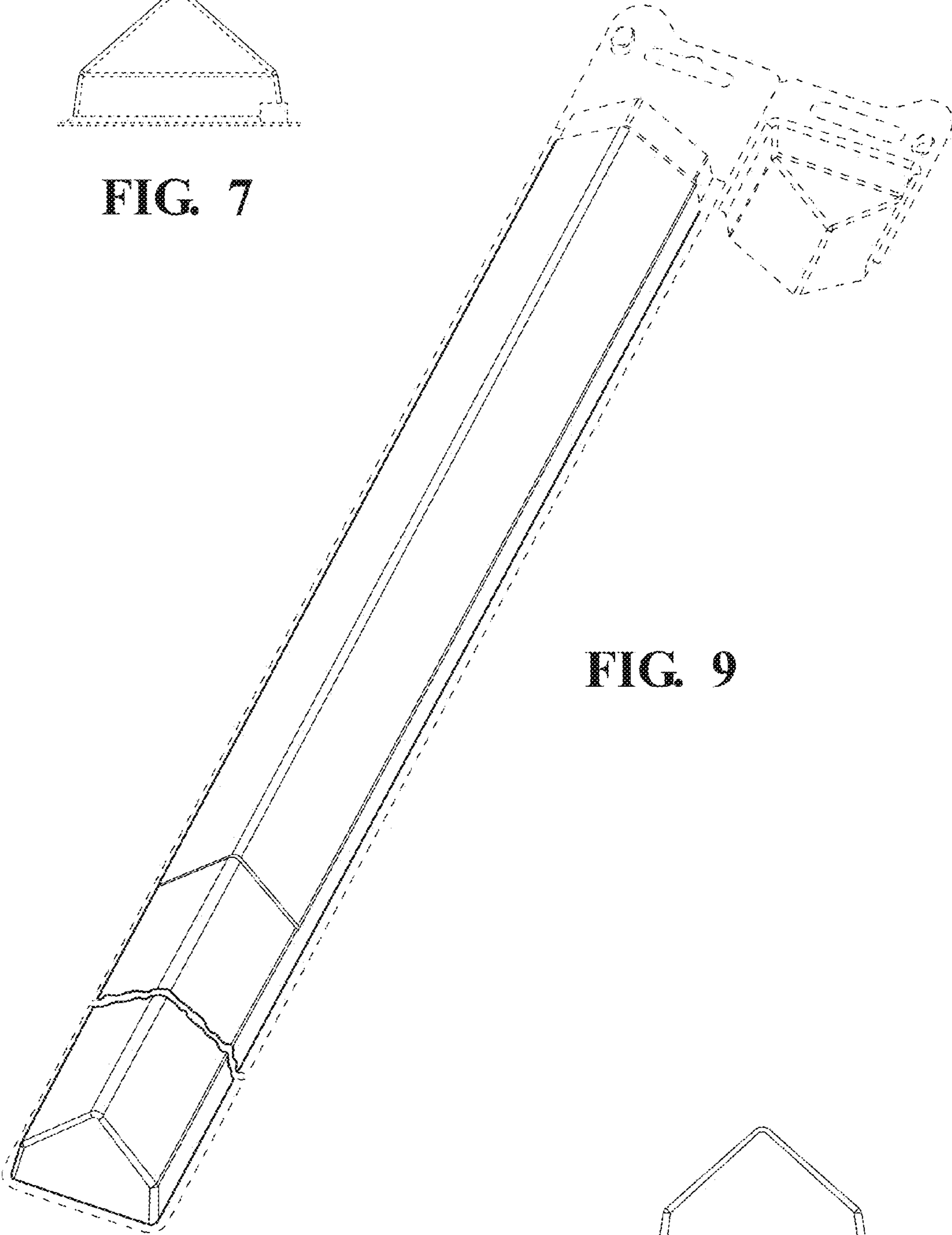
FIG. 5

FIG. 6

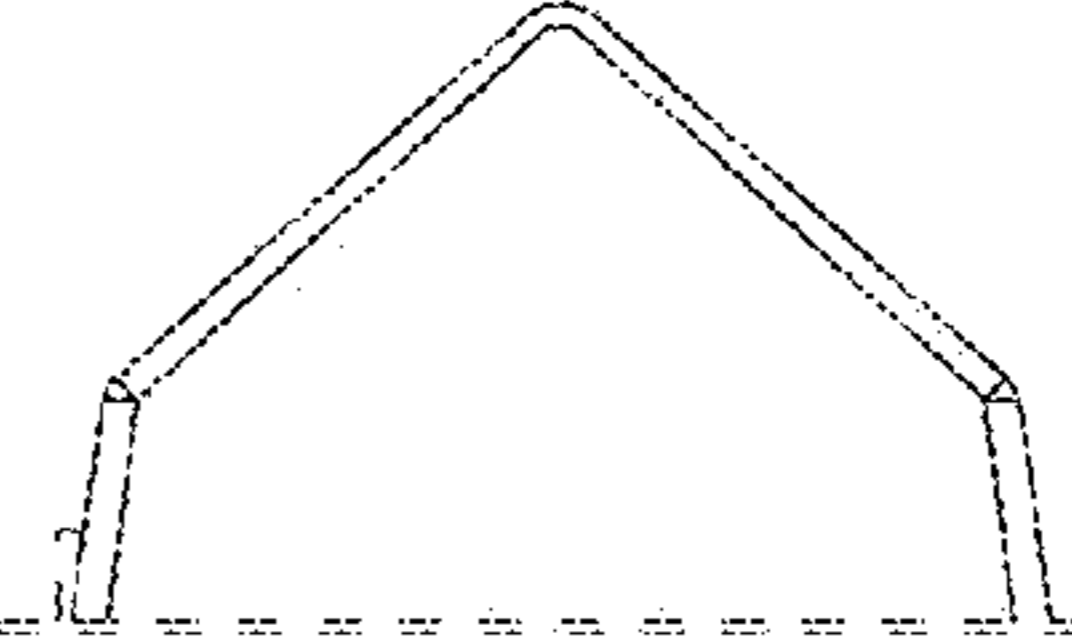




**FIG. 7**



**FIG. 9**



**FIG. 8**