



US00D744327S

(12) **United States Design Patent**  
**Snedden et al.**

(10) **Patent No.:** **US D744,327 S**  
(45) **Date of Patent:** **\*\* Dec. 1, 2015**

- (54) **TRAY ASSEMBLY**
- (71) Applicant: **Direct Pack, Inc.**, Sun Valley, CA (US)
- (72) Inventors: **Craig R. Snedden**, La Canada Flintridge, CA (US); **Gandhi B. Sifuentes**, West Covina, CA (US); **Leonardo Magana**, San Bernardino, CA (US)
- (73) Assignee: **DIRECT PACK, INC.**, Azusa, CA (US)
- (\*\*) Term: **14 Years**
- (21) Appl. No.: **29/501,826**
- (22) Filed: **Sep. 9, 2014**
- (51) **LOC (10) Cl.** ..... **09-03**
- (52) **U.S. Cl.**  
USPC ..... **D9/418**
- (58) **Field of Classification Search**  
USPC ..... D9/414-418, 420, 425, 432, 429, 435,  
D9/761; 220/792, 4.23, 839, 810; D7/354;  
D11/155  
CPC ..... A47J 36/06; B65D 43/162; B65D  
2543/00537  
See application file for complete search history.

- D689,363 S \* 9/2013 Sundy et al. .... D9/429
- D708,942 S \* 7/2014 Snedden et al. .... D9/435
- D727,791 S \* 4/2015 Montagano ..... D11/155
- D728,383 S \* 5/2015 Sifuentes et al. .... D9/761
- 2006/0081641 A1\* 4/2006 Habeger et al. .... 220/839
- 2010/0102074 A1\* 4/2010 Parikh et al. .... 220/810

\* cited by examiner

*Primary Examiner* — Holly Baynham

*Assistant Examiner* — Rhea Shields

(74) *Attorney, Agent, or Firm* — Frost Brown Todd LLC

(57) **CLAIM**

The ornamental design for a tray assembly, as shown and described.

**DESCRIPTION**

FIG. 1 is a top perspective exploded view of a tray assembly revealing the top side of the lid, tray and base, and showing our new design;

FIG. 2 is an enlarged view of a corner portion of the lid of the tray assembly;

FIG. 3 is an enlarged view of a corner portion of the tray of the tray assembly;

FIG. 4 is an enlarged view of a corner portion of the base of the tray assembly;

FIG. 5 is an exploded left elevation view of the tray assembly;

FIG. 6 is an enlarged view of a portion of the tray of the tray assembly;

FIG. 7 is an exploded right elevation view of the tray assembly;

FIG. 8 is a front elevation view thereof;

FIG. 9 is a back elevation view thereof;

FIG. 10 is a top plan view thereof; and,

FIG. 11 is a bottom plan view thereof.

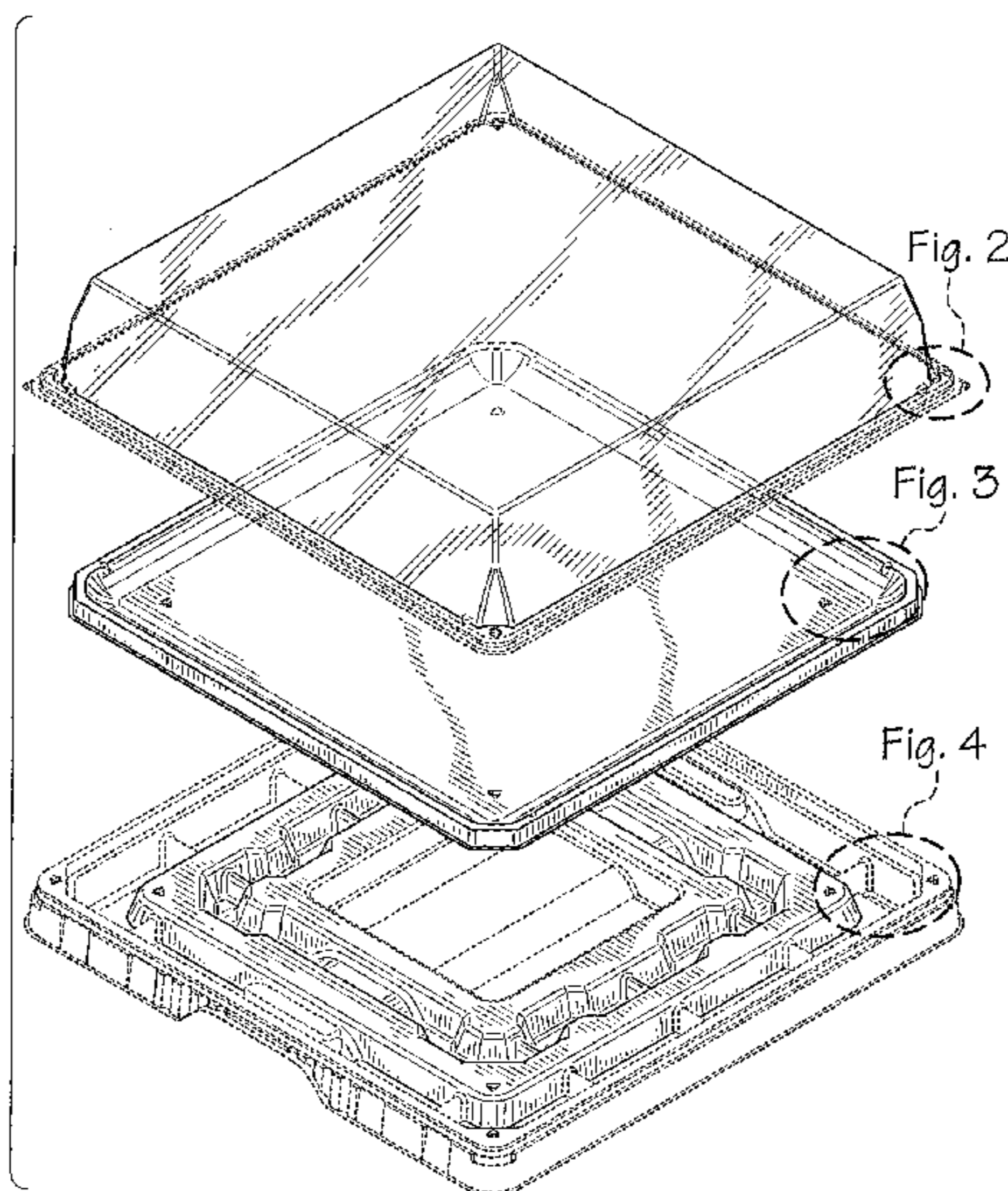
In the drawings, the broken lines are for the purpose of illustrating environment only and form no part of the claimed design.

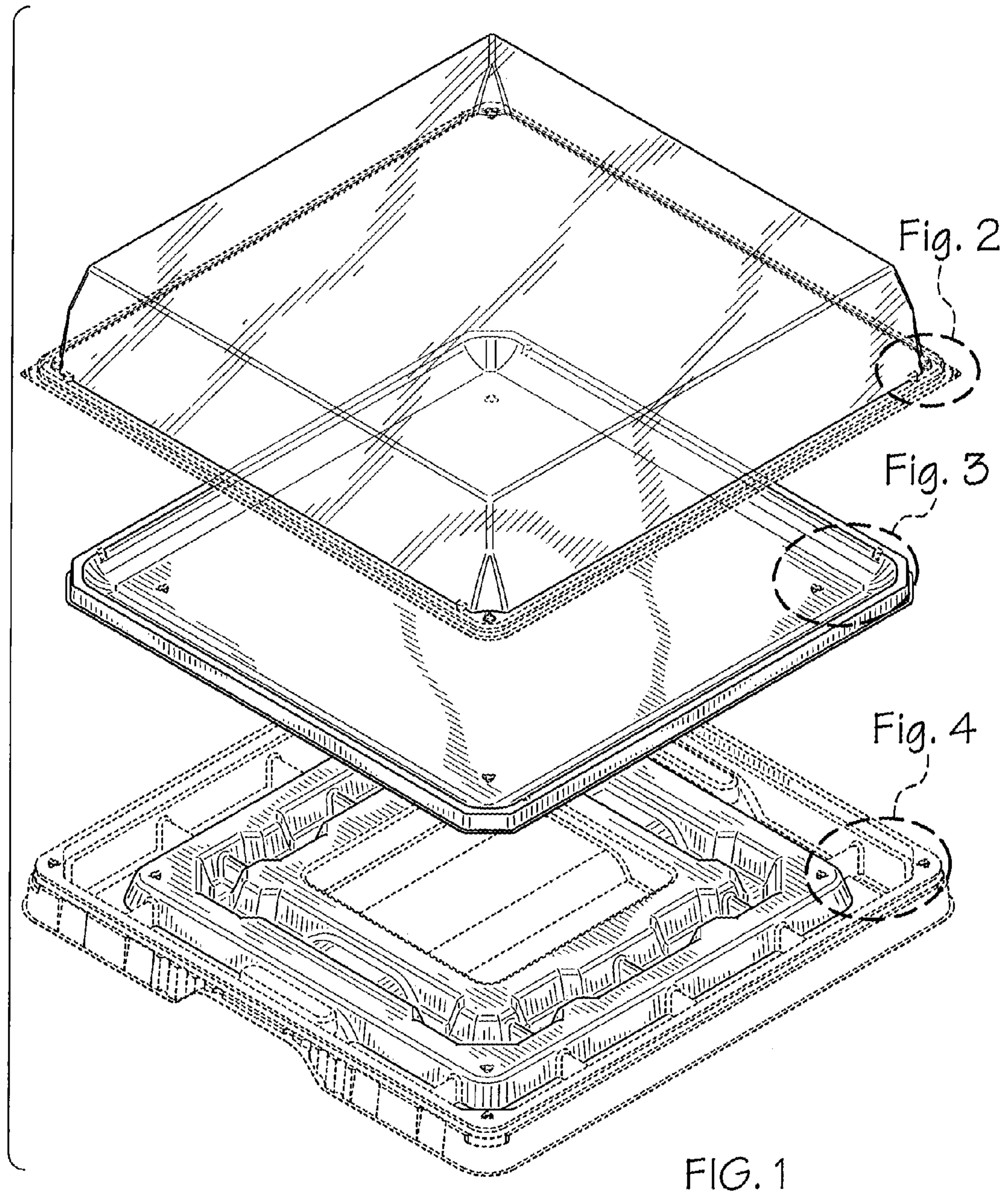
(56) **References Cited**

U.S. PATENT DOCUMENTS

- 4,976,370 A \* 12/1990 Cassel ..... 220/792
- 5,258,212 A \* 11/1993 Tomaru et al. .... 428/36.8
- 5,515,993 A \* 5/1996 McManus ..... 220/4.23
- D427,482 S \* 7/2000 Mittmann ..... D7/354
- D431,148 S \* 9/2000 Mittmann ..... D7/354
- D435,390 S \* 12/2000 Mittmann ..... D7/354
- D443,173 S \* 6/2001 Danielsen et al. .... D7/354
- D552,467 S \* 10/2007 Templeton ..... D9/420
- D628,475 S \* 12/2010 Snedden et al. .... D9/426
- D668,536 S \* 10/2012 Sanfilippo ..... D9/425
- D684,466 S \* 6/2013 Wichmann ..... D9/432

**1 Claim, 6 Drawing Sheets**





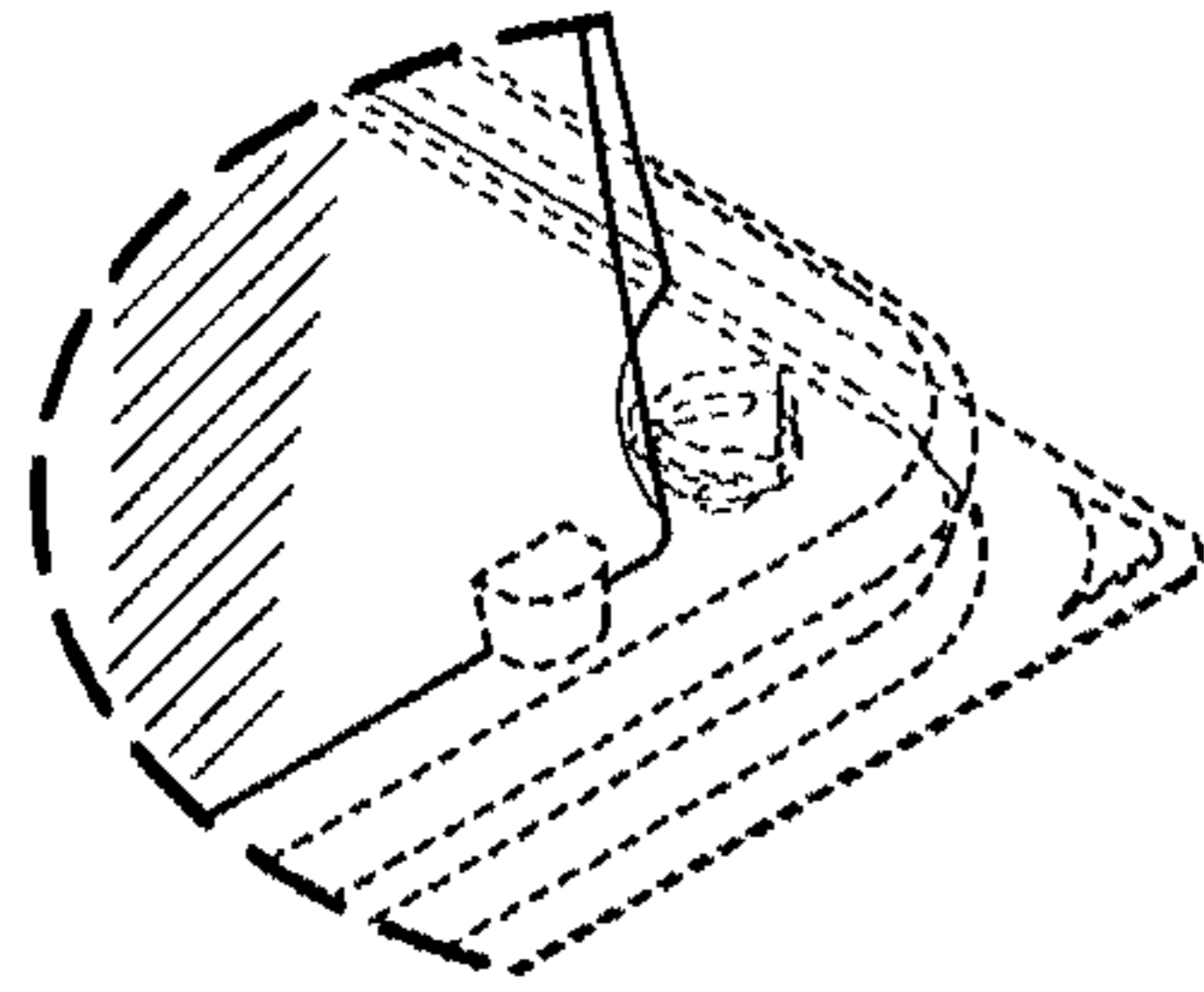


FIG. 2

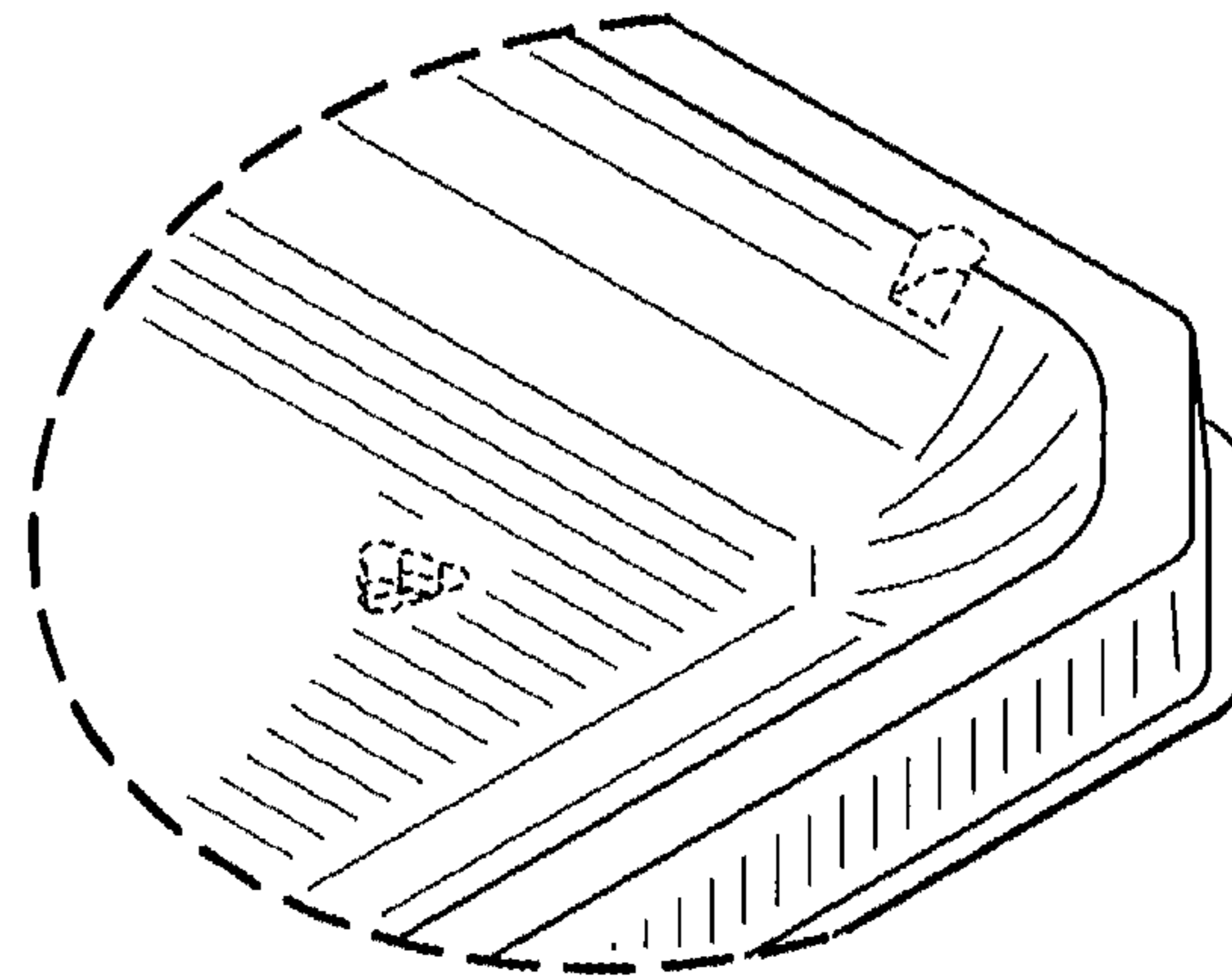


FIG. 3

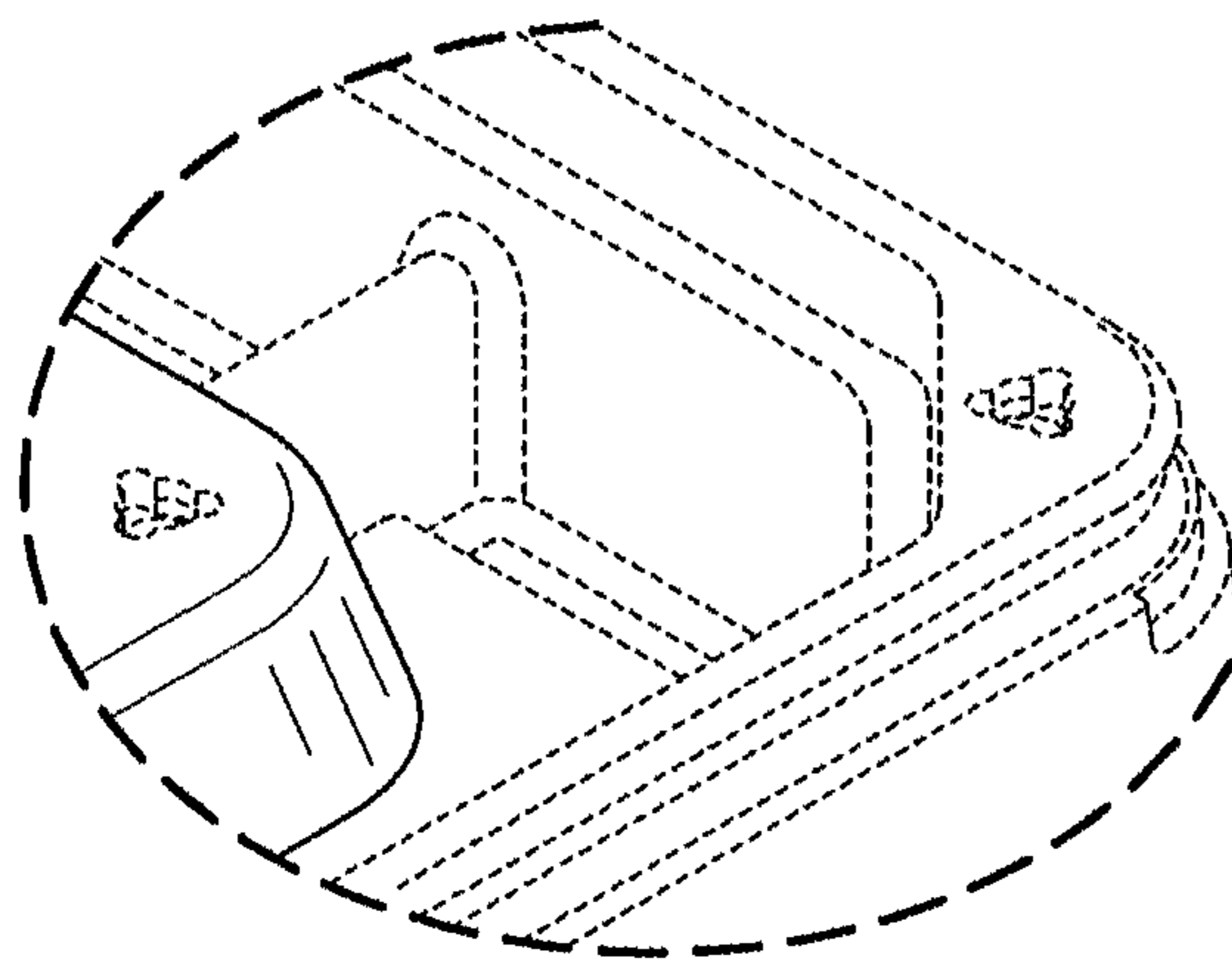


FIG. 4

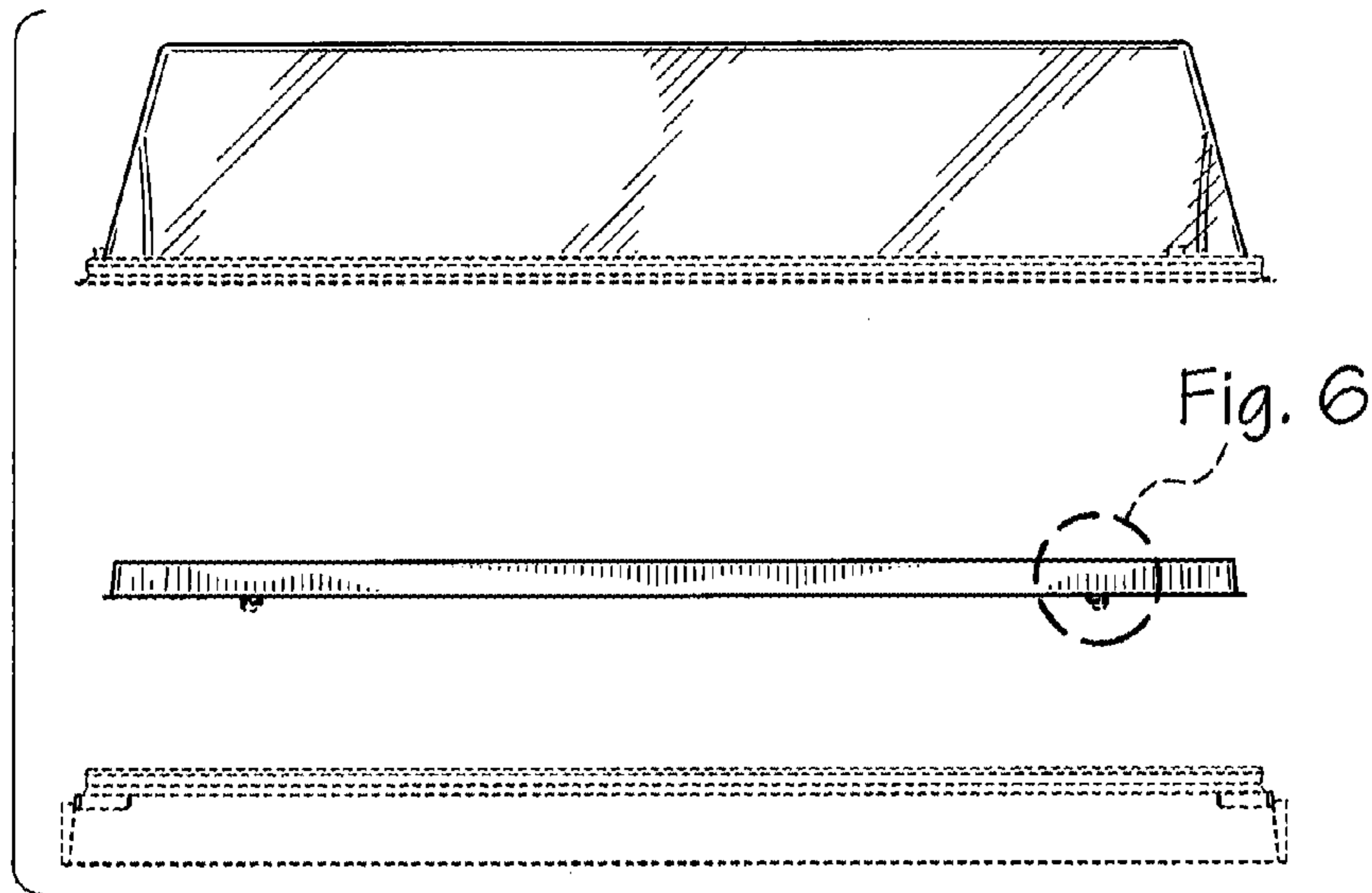


FIG. 5

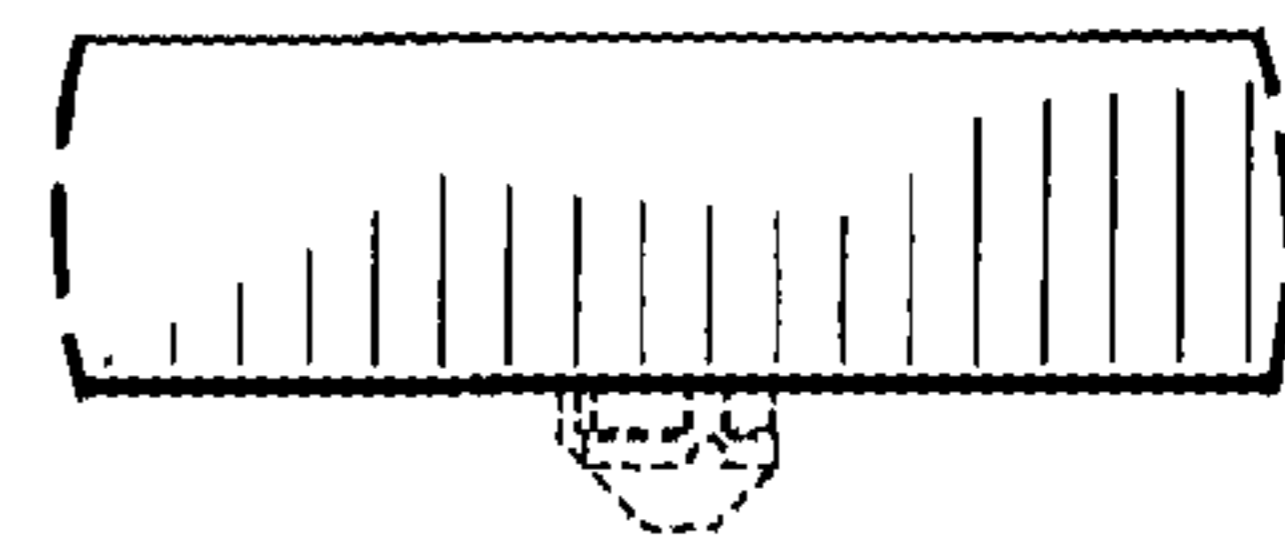


FIG. 6

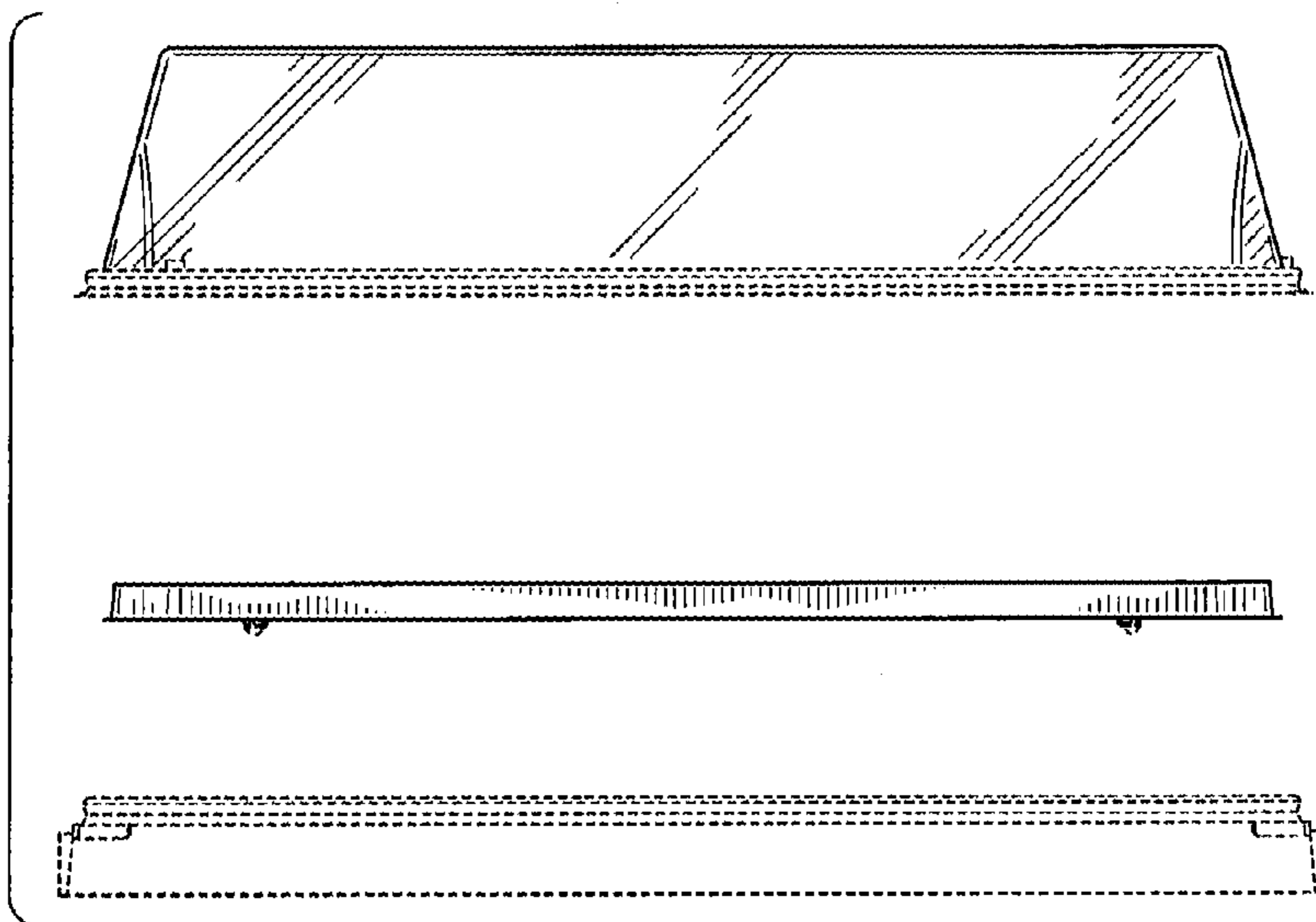


FIG. 7

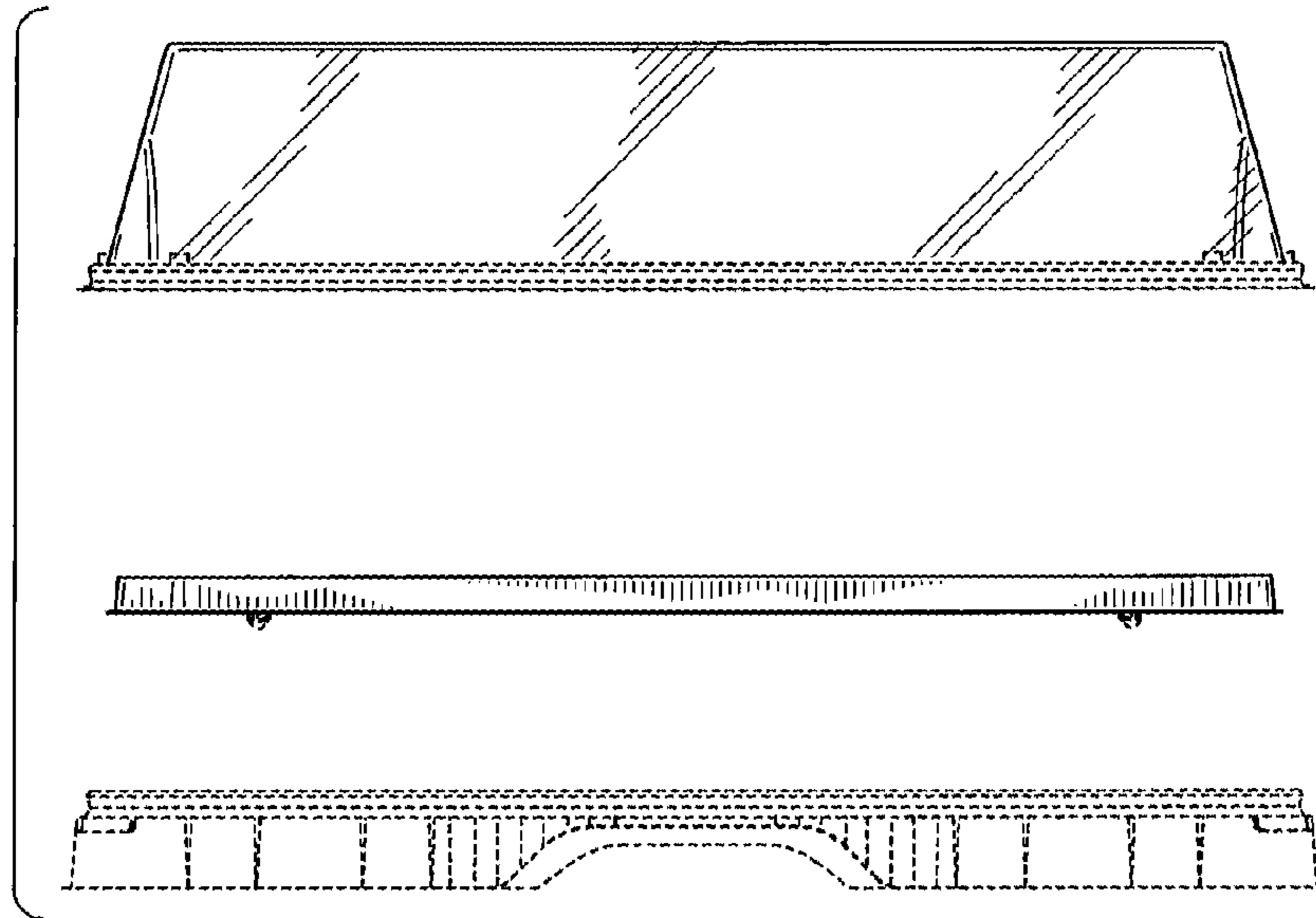


FIG. 8

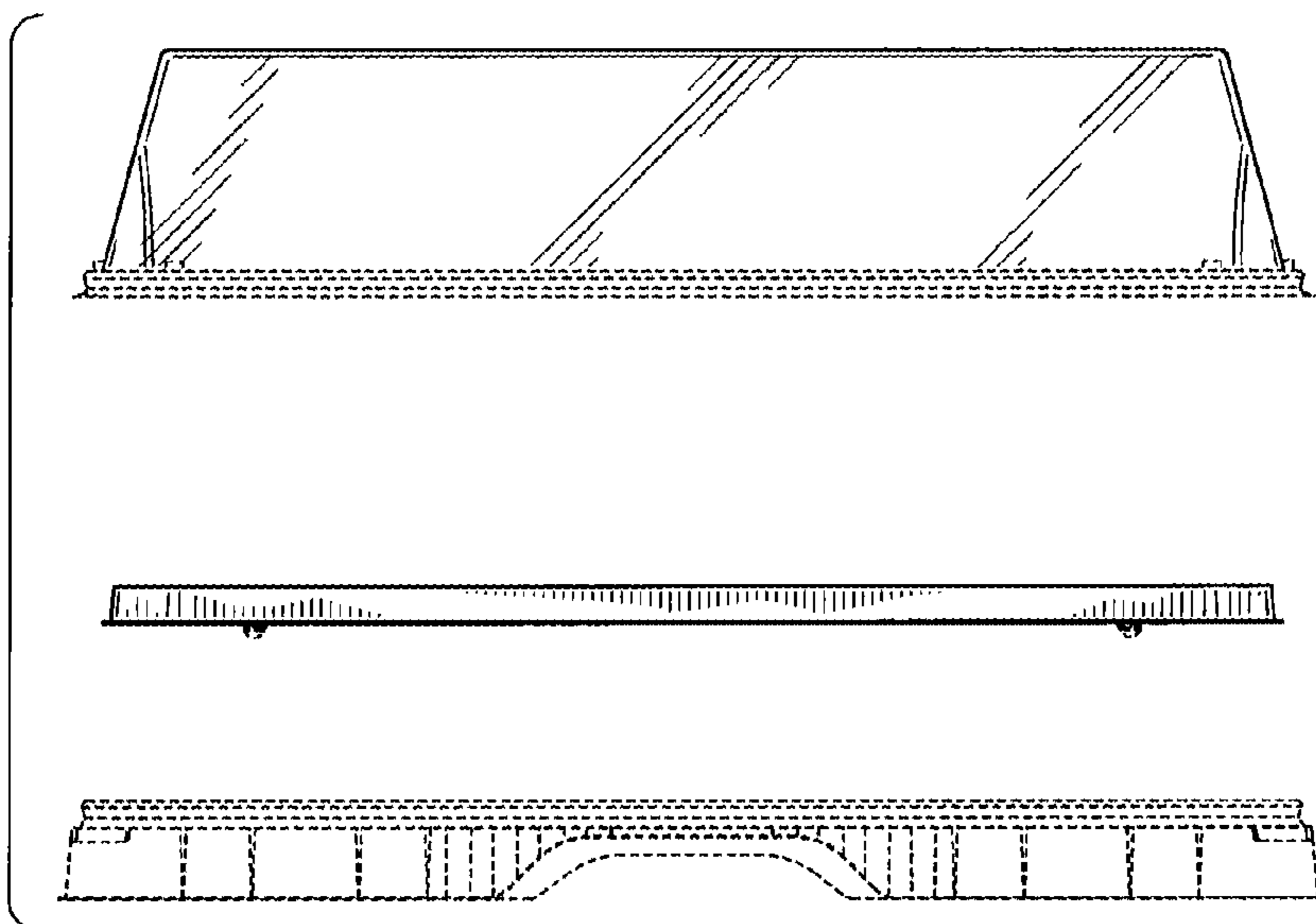


FIG. 9

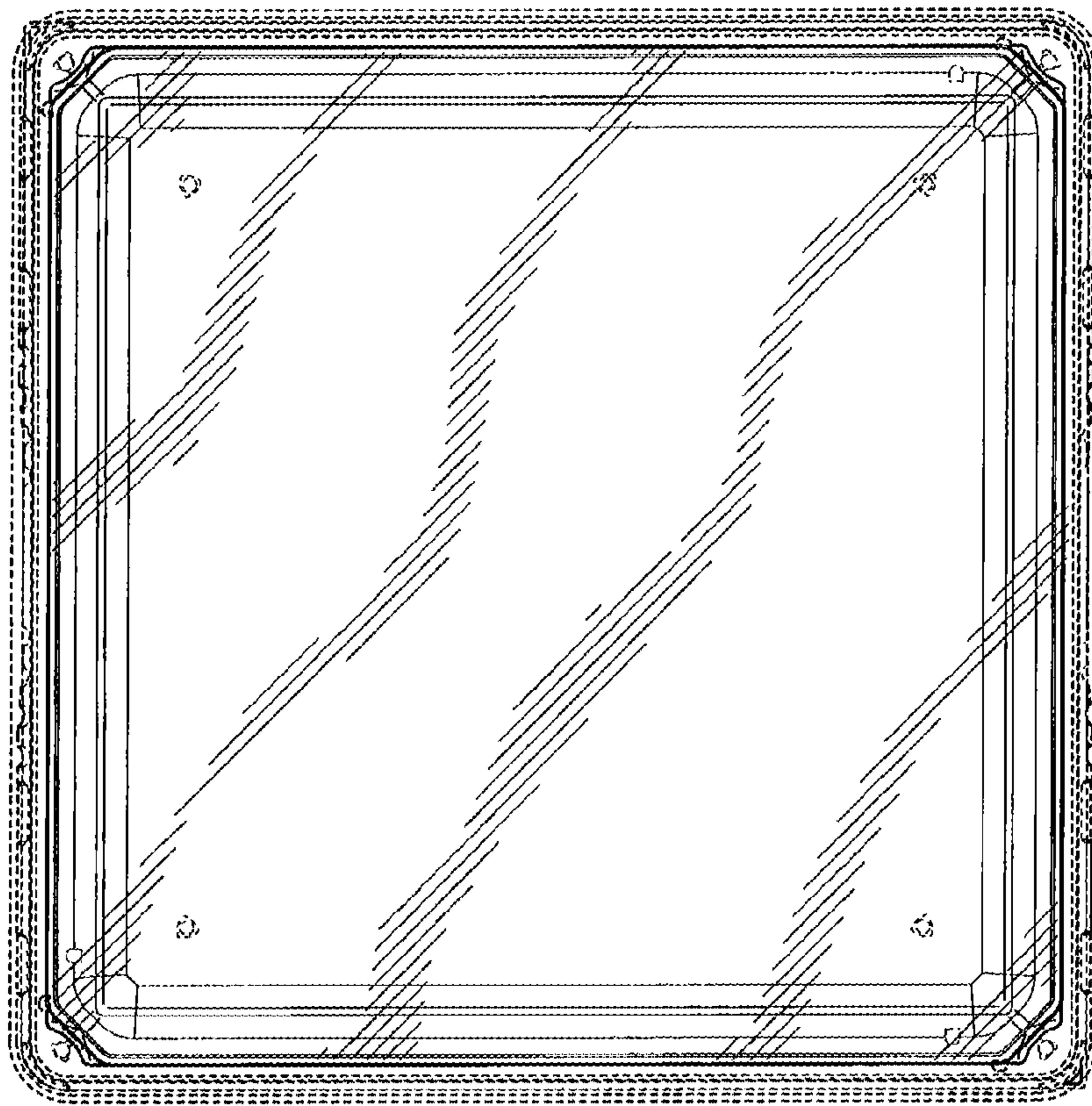


FIG. 10

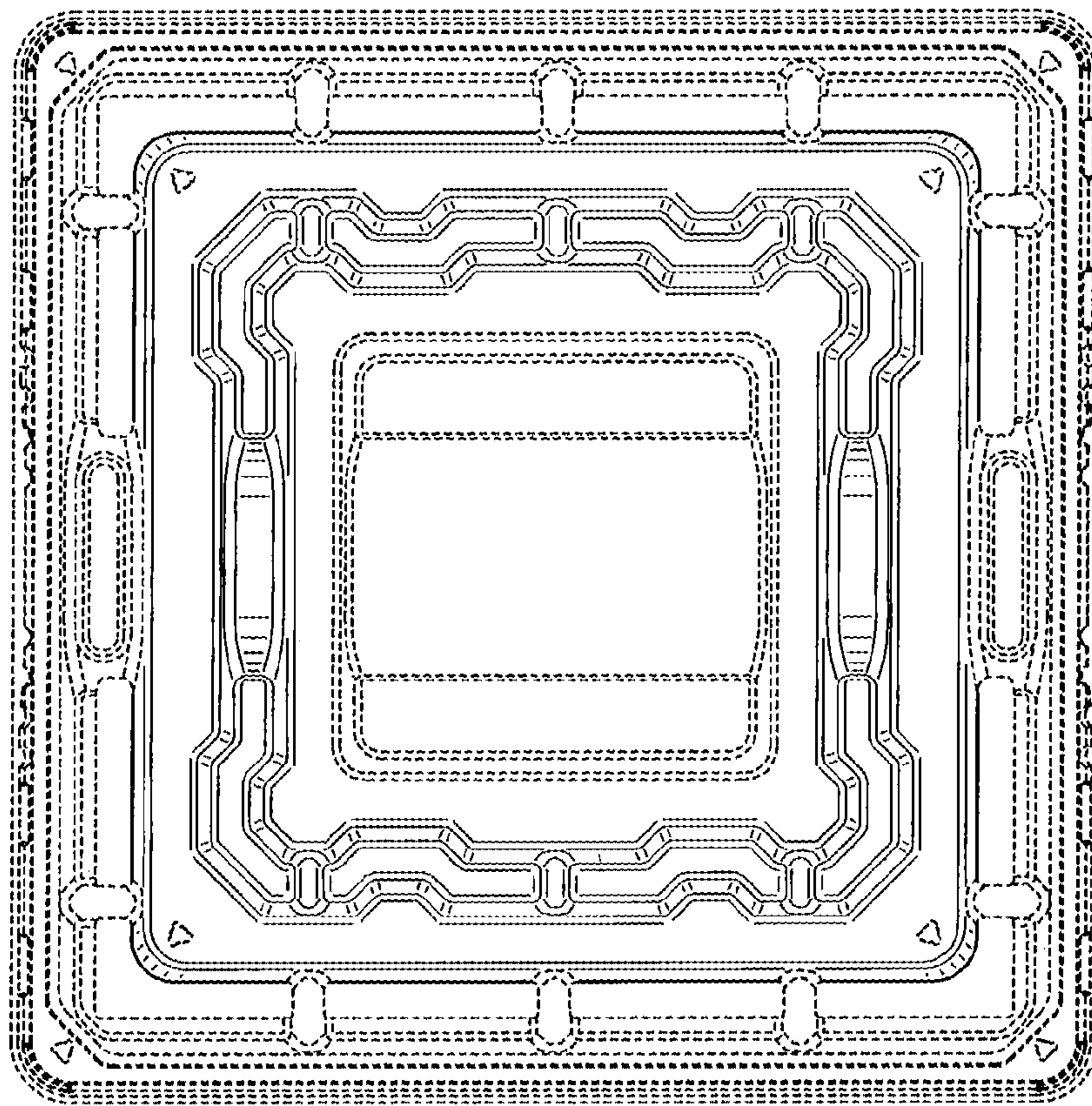


FIG. 11