



US00D744324S

(12) **United States Design Patent**  
**Hyakutake et al.**

(10) **Patent No.:** **US D744,324 S**  
(45) **Date of Patent:** **\*\* Dec. 1, 2015**

(54) **JOINT FOR CONNECTION**  
(71) Applicant: **ADAMANT KOGYO CO., LTD.**,  
Tokyo (JP)  
(72) Inventors: **Yasuhiro Hyakutake**, Tokyo (JP);  
**Shinichi Takeda**, Tokyo (JP); **Yusuke**  
**Akiyama**, Tokyo (JP)  
(73) Assignee: **ADAMANT KOGYO CO., LTD.**,  
Tokyo (JP)

D392,555 S \* 3/1998 Glickman et al. .... D8/382  
D393,417 S \* 4/1998 Glickman et al. .... D8/382  
D423,919 S \* 5/2000 Galinski ..... D8/382  
7,695,170 B1 \* 4/2010 Baldwin et al. .... 362/371

(Continued)

**FOREIGN PATENT DOCUMENTS**

EP 1925831 A2 \* 5/2008 ..... F16C 11/0604  
FR 2521445 A1 \* 8/1983 ..... A63H 33/101  
WO WO 2007008172 A1 \* 1/2007 ..... F16C 11/06

**OTHER PUBLICATIONS**

Lego Part 6572—Technic Steering Knuckle Arm with Ball Joint,  
Image post date, May 13, 2015, Site visited on May 12, 2015 (online),  
<<http://rebrickable.com/parts/6572/technic-steering-knuckle-arm-with-ball-joint>>.\*

*Primary Examiner* — Sheryl Lane  
*Assistant Examiner* — Ieisha Price  
(74) *Attorney, Agent, or Firm* — Manabu Kanesaka

(\*\*) Term: **14 Years**  
(21) Appl. No.: **29/421,931**  
(22) Filed: **Oct. 23, 2012**  
(30) **Foreign Application Priority Data**  
May 22, 2012 (JP) ..... 2012-011977  
(51) **LOC (10) Cl.** ..... **08-08**  
(52) **U.S. Cl.**  
USPC ..... **D8/382**  
(58) **Field of Classification Search**  
USPC ..... D8/30, 382, 330, 331, 339, 341, 343,  
D8/344, 499; D10/80, 103, 121; D11/206,  
D11/220, 87, 86, 93, 184; D21/578, 597,  
D21/584, 658  
CPC .. F16C 11/06; F16C 11/0604; F16C 11/0619;  
F16C 11/0623; F16B 2012/403; A63H 33/10;  
A63H 33/101; Y10T 403/32631  
See application file for complete search history.

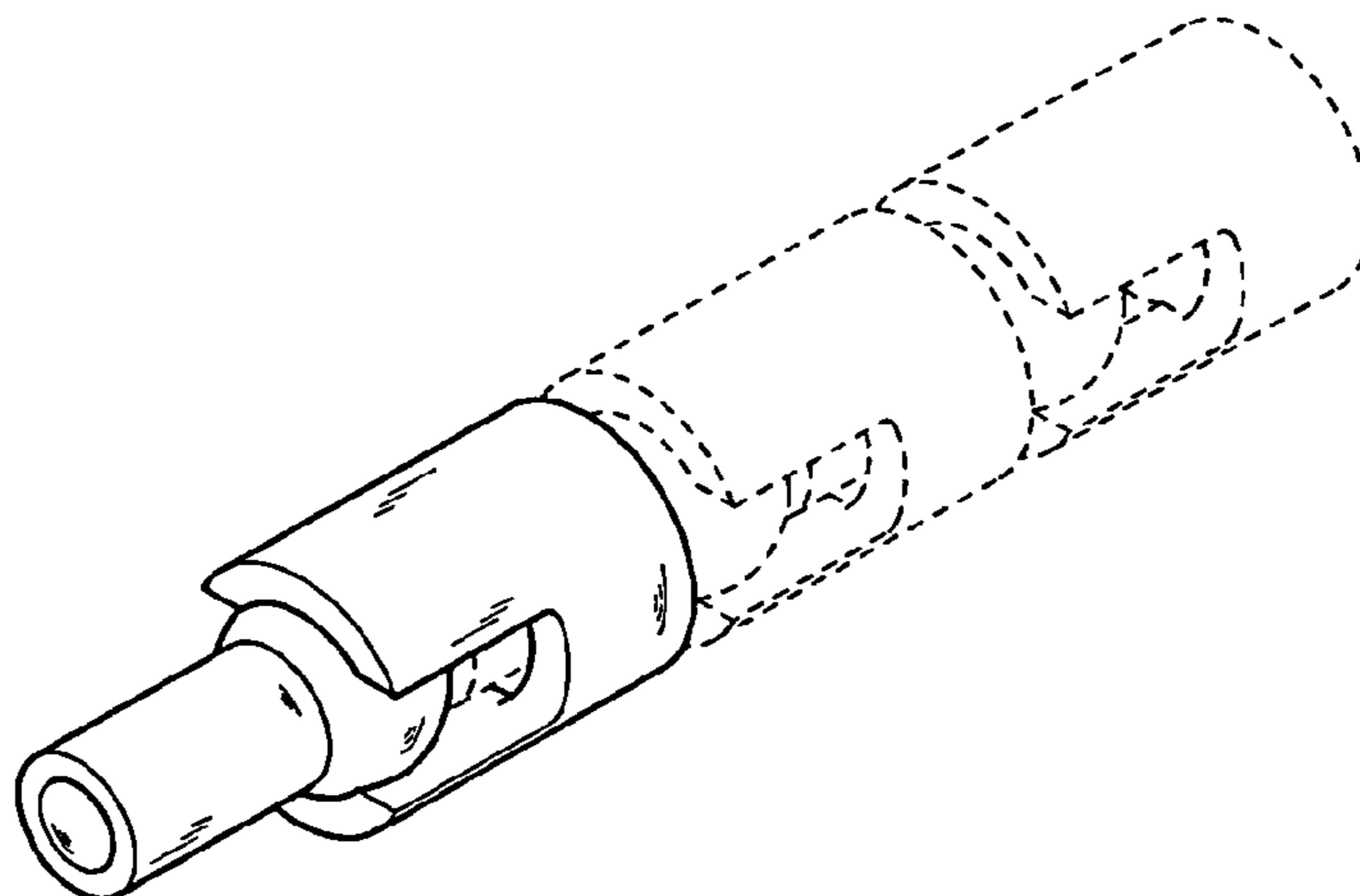
(57) **CLAIM**  
The ornamental design for a joint for connection, as shown  
and described.

**DESCRIPTION**

FIG. 1 is a front view of a joint for connection showing our  
new design, which is identical to the rear view,  
FIG. 2 is a right side view thereof;  
FIG. 3 is a left side view thereof;  
FIG. 4 is a top plan view thereof, which is identical to the  
bottom view,  
FIG. 5 is a sectional view taken along line 5-5 in FIG. 4,  
FIG. 6 is a perspective view thereof; and,  
FIG. 7 is a perspective view thereof, showing the joint for  
connection in its environment.  
The broken line showing in FIG. 7 represents the environment  
of the claimed design and forms no part thereof.

**1 Claim, 7 Drawing Sheets**

(56) **References Cited**  
**U.S. PATENT DOCUMENTS**  
D54,961 S \* 4/1920 Schuler ..... D8/382  
1,746,839 A \* 2/1930 Main et al. .... 446/100  
2,531,892 A \* 11/1950 Reese ..... 403/11  
D231,546 S \* 4/1974 Christiansen ..... D21/658  
4,044,725 A \* 8/1977 Miller ..... 119/865



# US D744,324 S

Page 2

---

(56)

## References Cited

### U.S. PATENT DOCUMENTS

	D719,821 S *	12/2014	McGrath .....	D8/382
	2006/0030234 A1 *	2/2006	Stiber et al. ....	446/124
	2009/0196682 A1 *	8/2009	Kuhlman .....	403/133
8,277,095 B2 *	10/2012	Juang et al. ....	362/421	* cited by examiner

Fig. 1

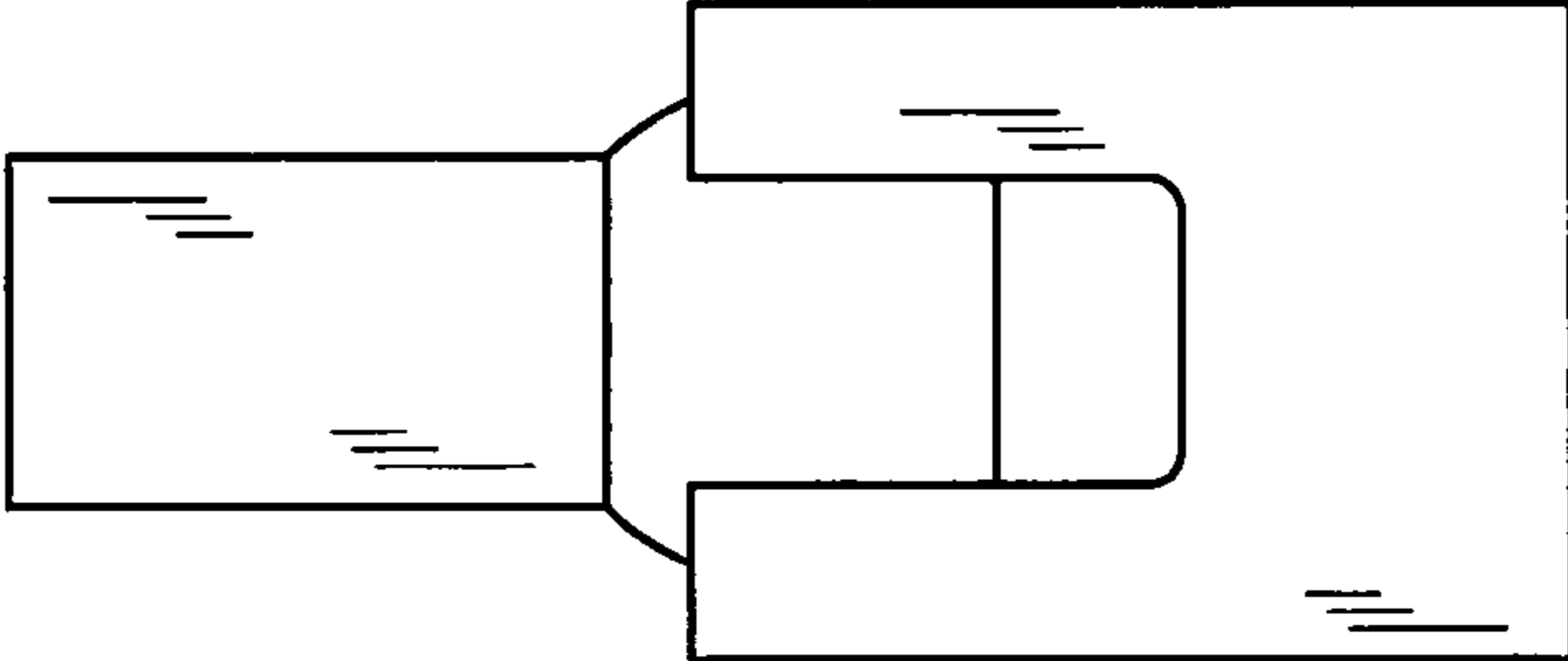


Fig. 2

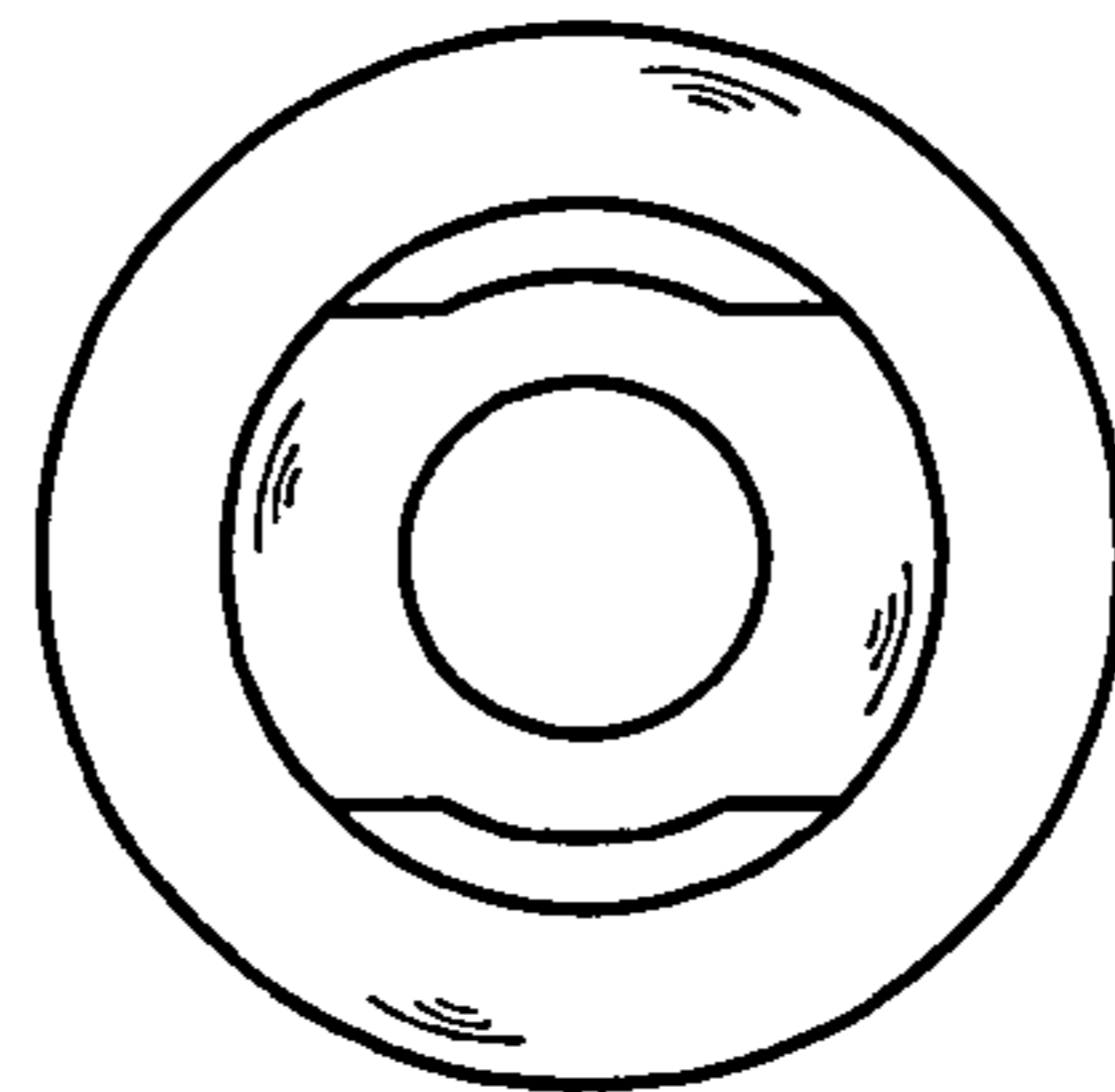


Fig. 3

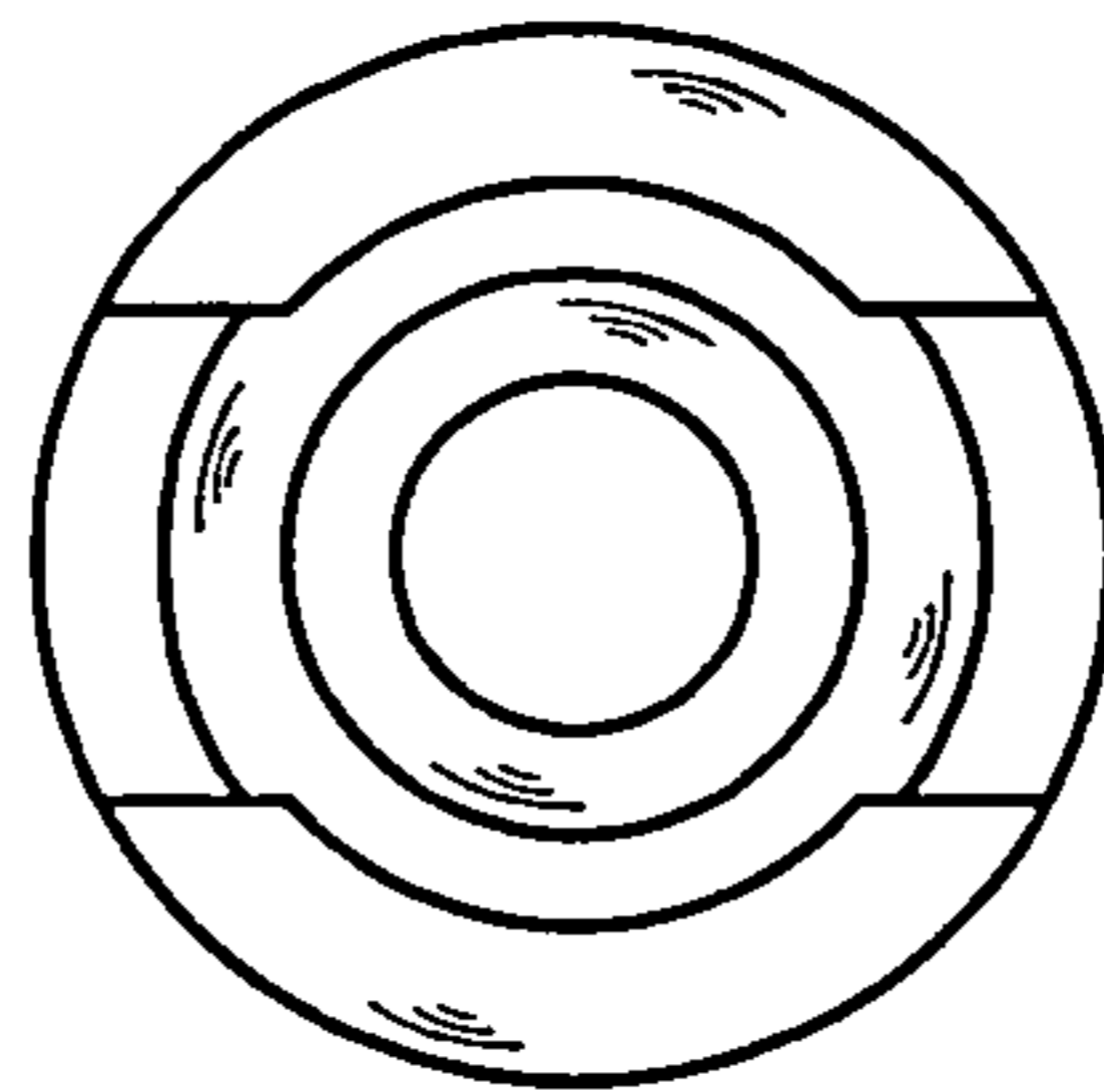


Fig. 4

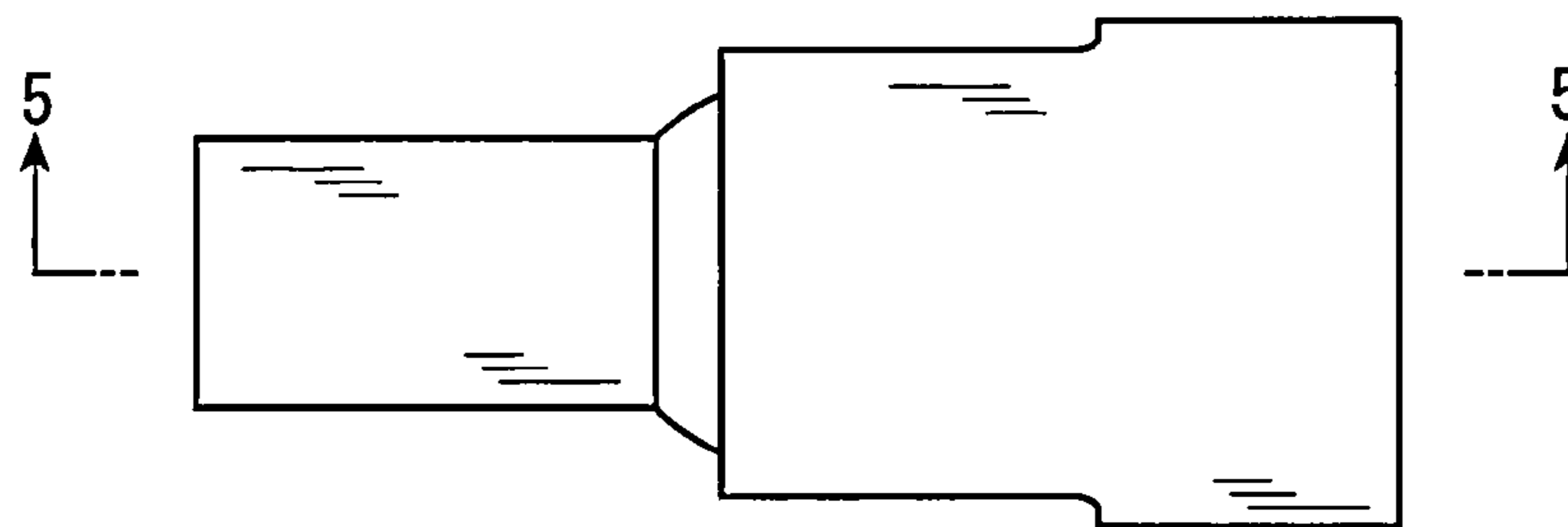


Fig. 5

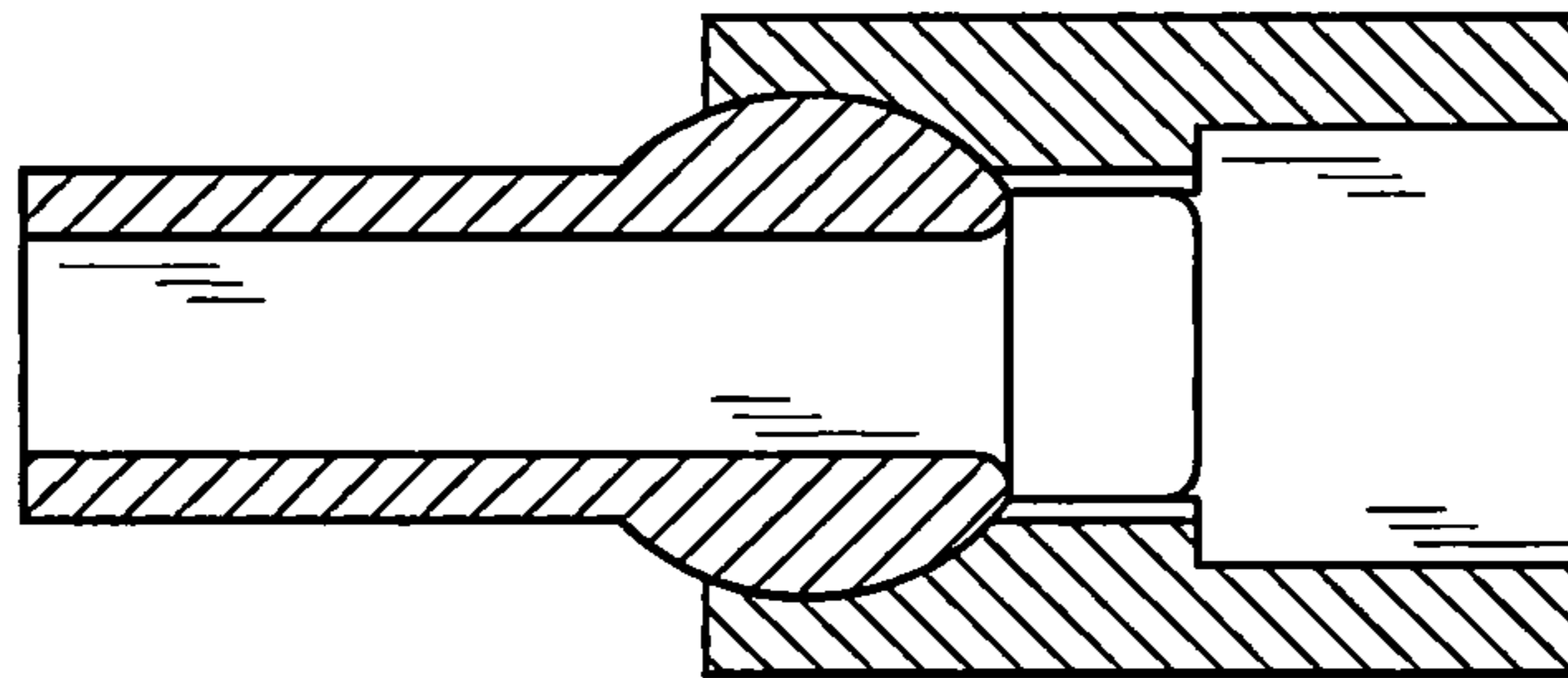


Fig. 6

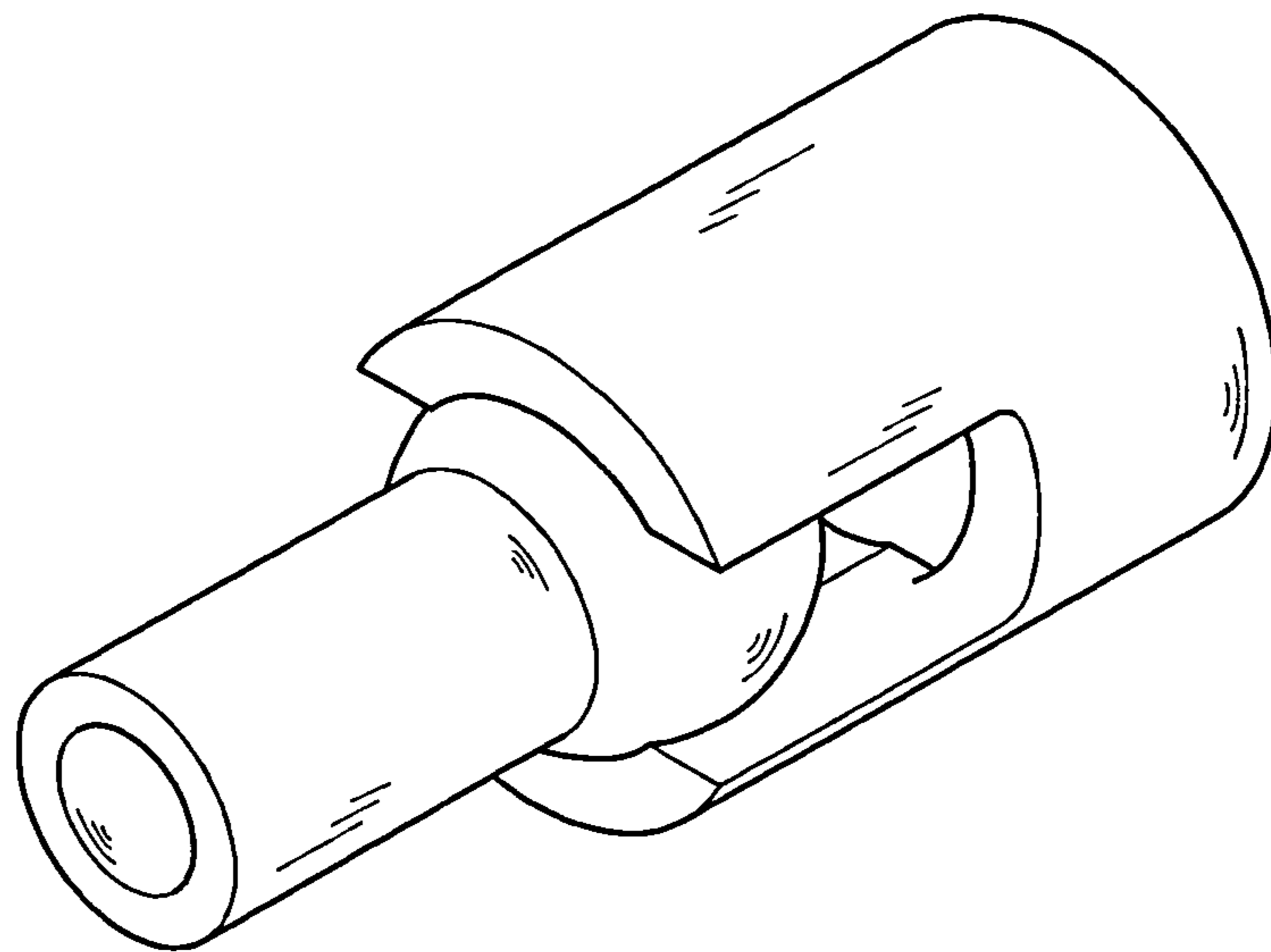




Fig. 7

