



US00D744321S

(12) **United States Design Patent**
Boynton et al.

(10) **Patent No.:** **US D744,321 S**
(45) **Date of Patent:** **** Dec. 1, 2015**

(54) **OUTDOOR MOUNT FOR HOME SECURITY SYSTEM**

D594,739 S * 6/2009 Lee D8/363
D699,547 S * 2/2014 Syed et al. D8/363
D714,130 S * 9/2014 Kao et al. D8/377

(71) Applicant: **Vivint, Inc.**, Provo, UT (US)

* cited by examiner

(72) Inventors: **Stephen Edward Boynton**, Spanish Fork, UT (US); **Wallace E. Day**, Payson, UT (US)

Primary Examiner — Robert M Spear

Assistant Examiner — Eliza Bennett-Hattan

(74) *Attorney, Agent, or Firm* — Holland & Hart

(73) Assignee: **VIVINT, INC.**, Provo, UT (US)

(57) **CLAIM**

The ornamental design for an “outdoor mount for home security system,” as shown and described.

(**) Term: **14 Years**

DESCRIPTION

(21) Appl. No.: **29/496,523**

(22) Filed: **Jul. 14, 2014**

(51) **LOC (10) Cl.** **08-05**

(52) **U.S. Cl.**
USPC **D8/363**

(58) **Field of Classification Search**
USPC D8/16, 18, 19, 20, 105, 356, 363, 366,
D8/370–377, 380–382; D6/406.2;
D12/106, 48
CPC B25F 1/00; B25F 1/02; A45F 2200/0575;
G01B 5/18
See application file for complete search history.

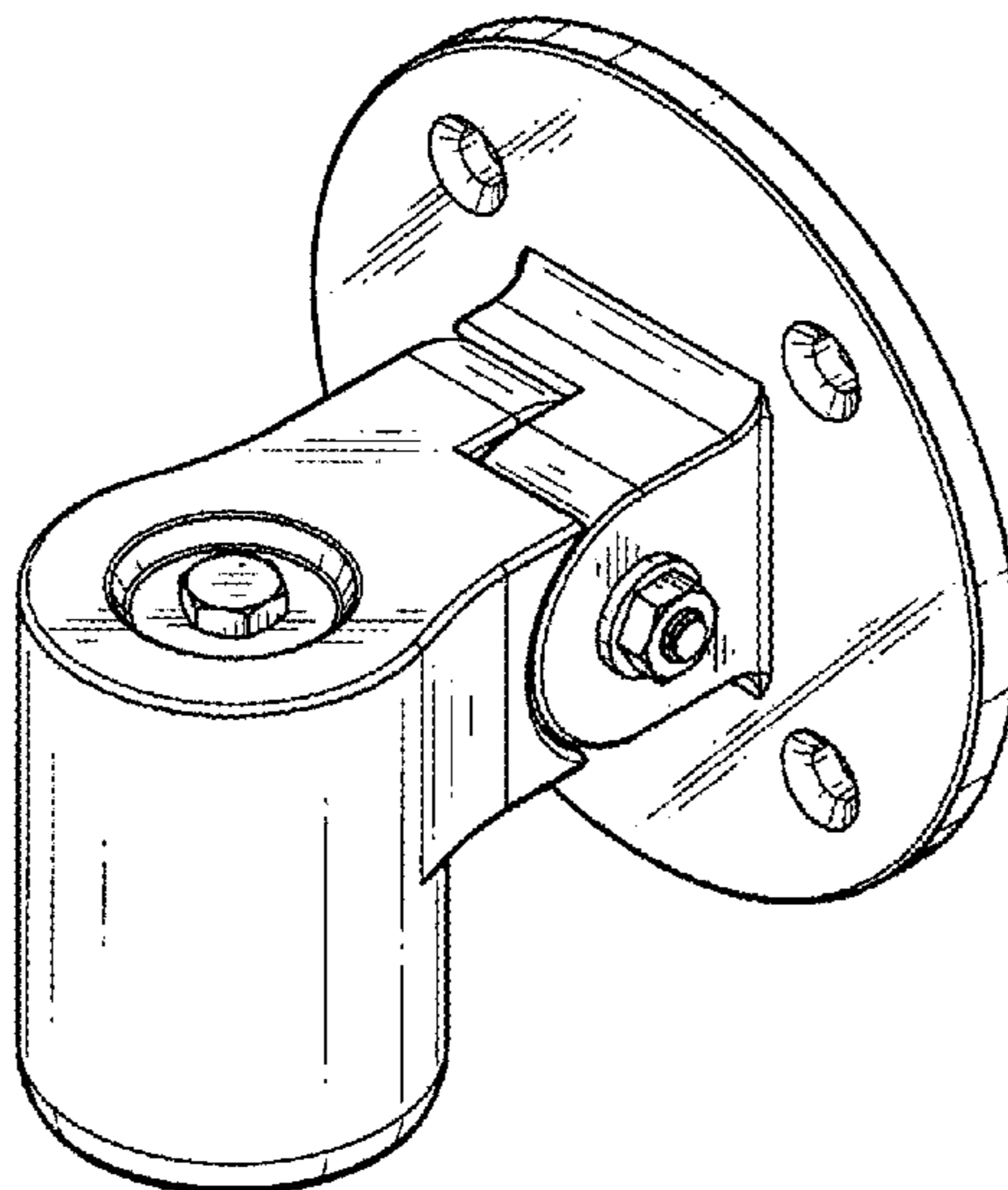
FIG. 1 is a top perspective view of an outdoor mount for home security system according to the present invention;
FIG. 2 is a rear perspective view thereof;
FIG. 3 is a front view thereof;
FIG. 4 is a right side view thereof;
FIG. 5 is a left side view thereof;
FIG. 6 is a top view thereof;
FIG. 7 is a bottom view thereof;
FIG. 8 is a rear view thereof;
FIG. 9 is a top perspective view of an alternative embodiment of an outdoor mount for home security system design according to the present invention;
FIG. 10 is a rear perspective view of the alternative embodiment thereof;
FIG. 11 is a front perspective view of the alternative embodiment thereof;
FIG. 12 is a right side perspective view of the alternative embodiment thereof;
FIG. 13 is a left side perspective view of the alternative embodiment thereof;
FIG. 14 is a top view of the alternative embodiment thereof;
FIG. 15 is a bottom view of the alternative embodiment thereof; and,
FIG. 16 is a rear view of the alternative embodiment thereof.

(56) **References Cited**

U.S. PATENT DOCUMENTS

D216,458 S * 1/1970 Nestrock D8/363
D327,215 S * 6/1992 Pestone D8/373
D332,390 S * 1/1993 Adams D8/373
D429,998 S * 8/2000 Snell D8/363
D453,437 S * 2/2002 Gilbert D6/549
D533,054 S * 12/2006 Brassard D8/373
D533,055 S * 12/2006 Brassard D8/373
D560,116 S * 1/2008 Brassard D8/380
D572,574 S * 7/2008 Lee D8/363
D584,133 S * 1/2009 Stubdrup D8/363
D590,238 S * 4/2009 Richter D8/363

1 Claim, 6 Drawing Sheets



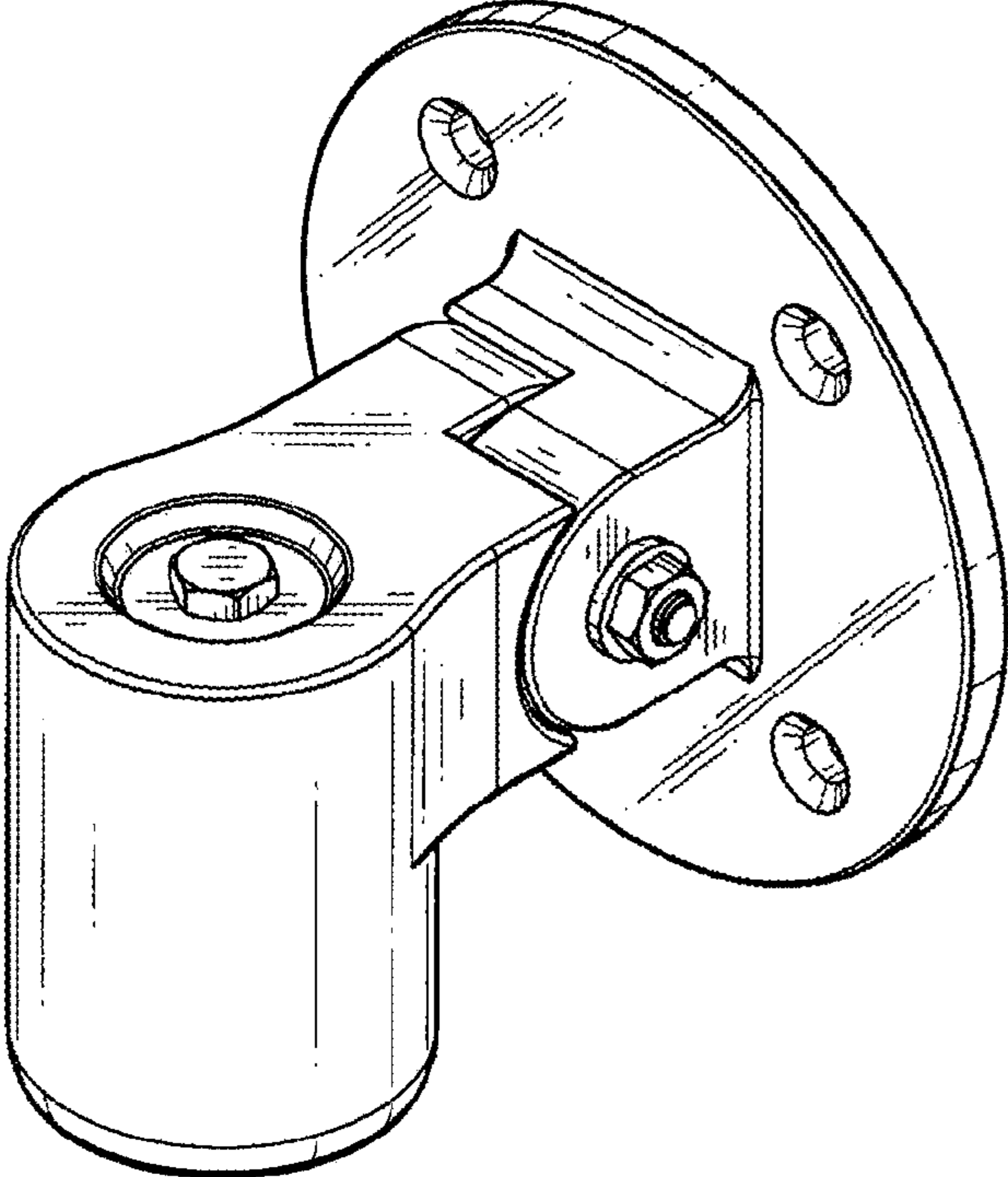


FIG. 1

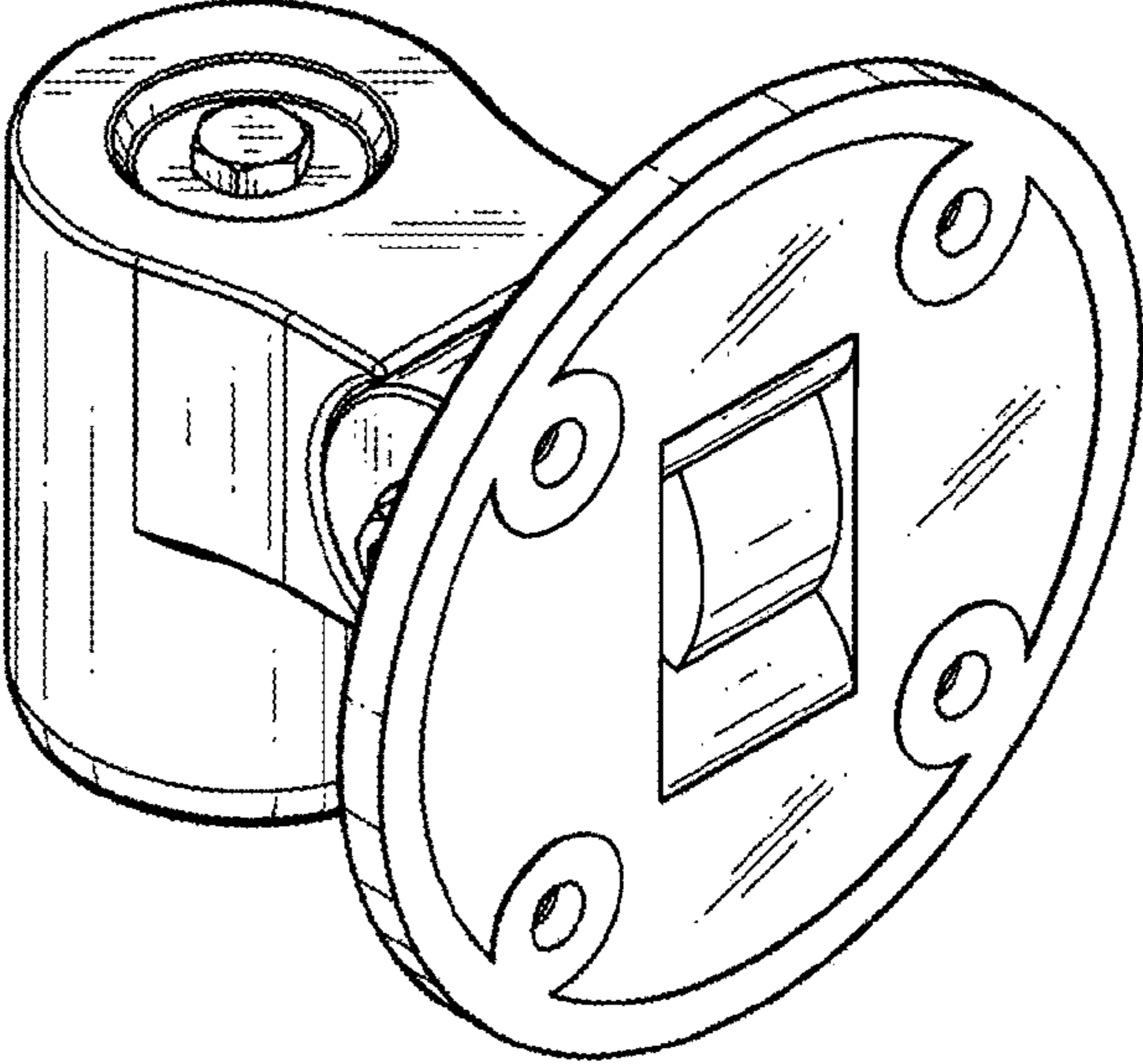


FIG. 2

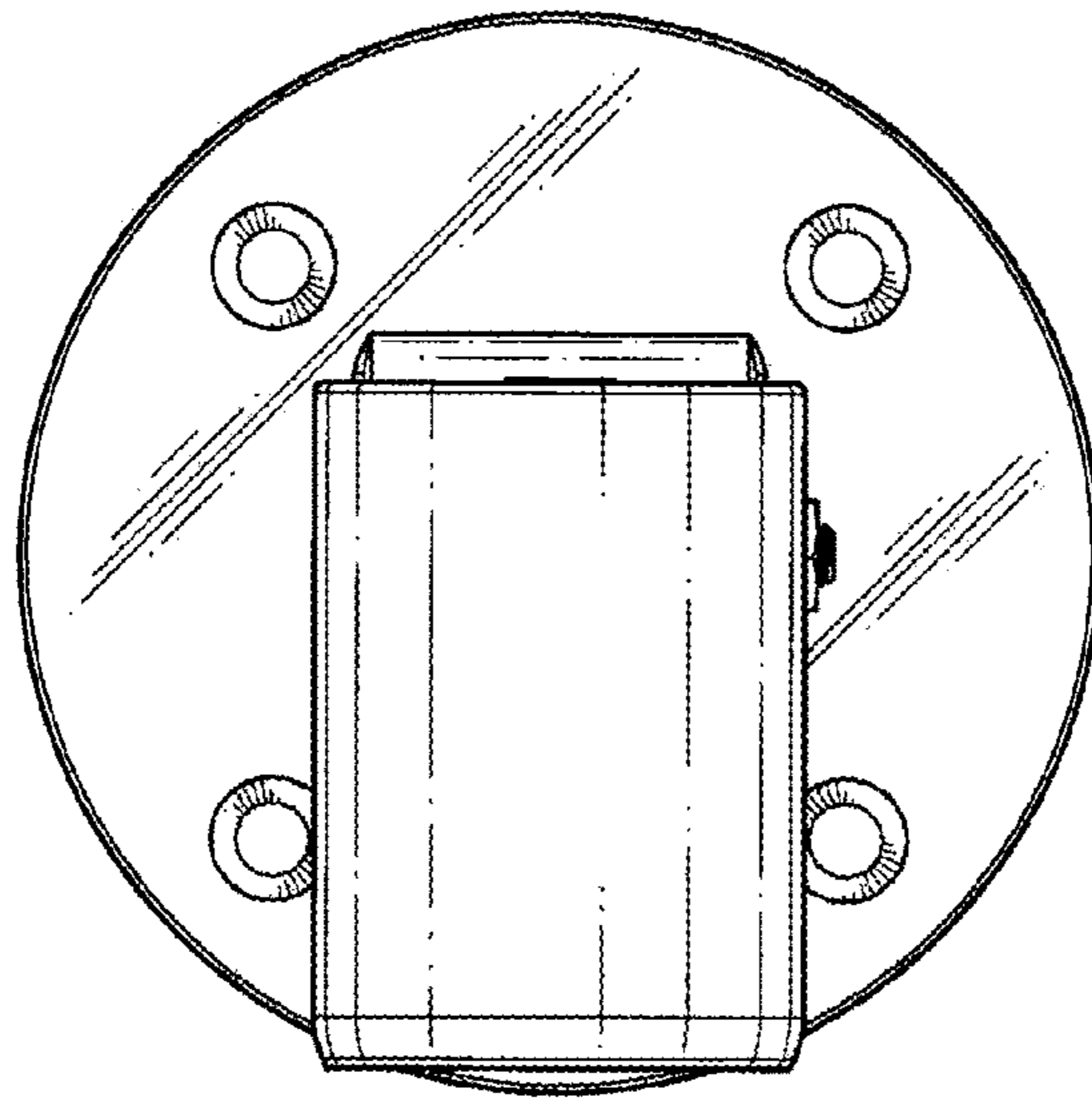


FIG. 3

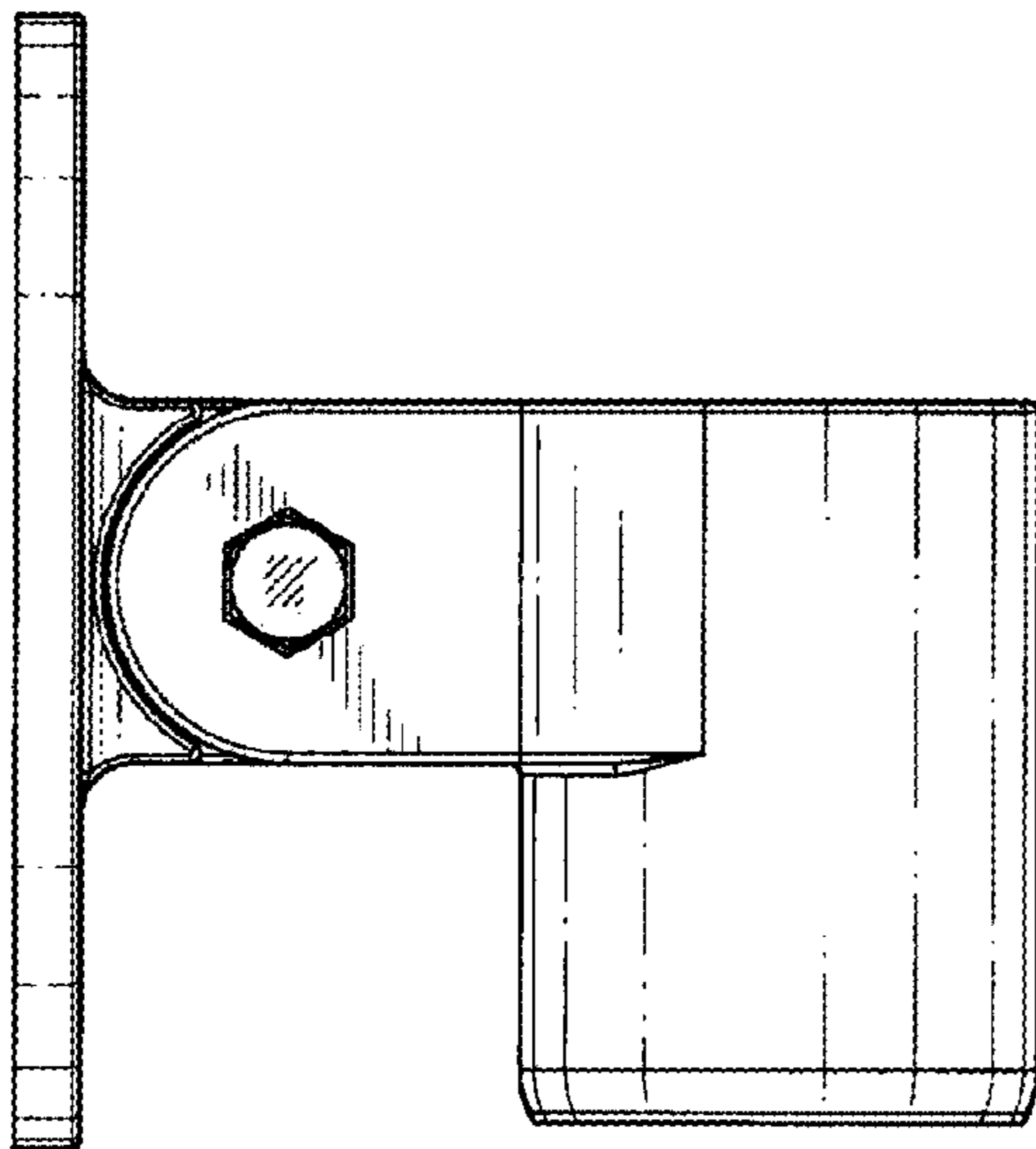


FIG. 4

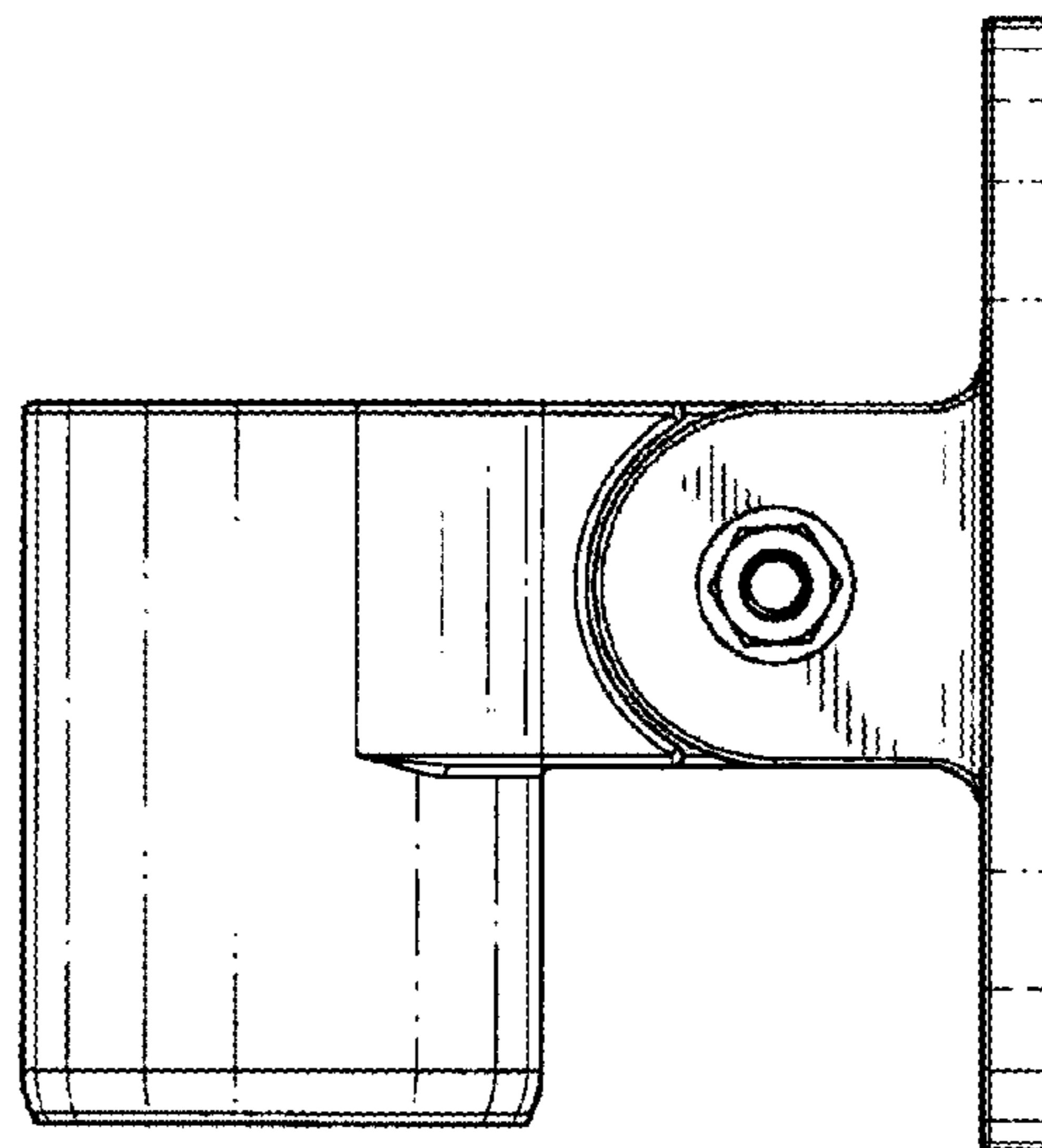


FIG. 5

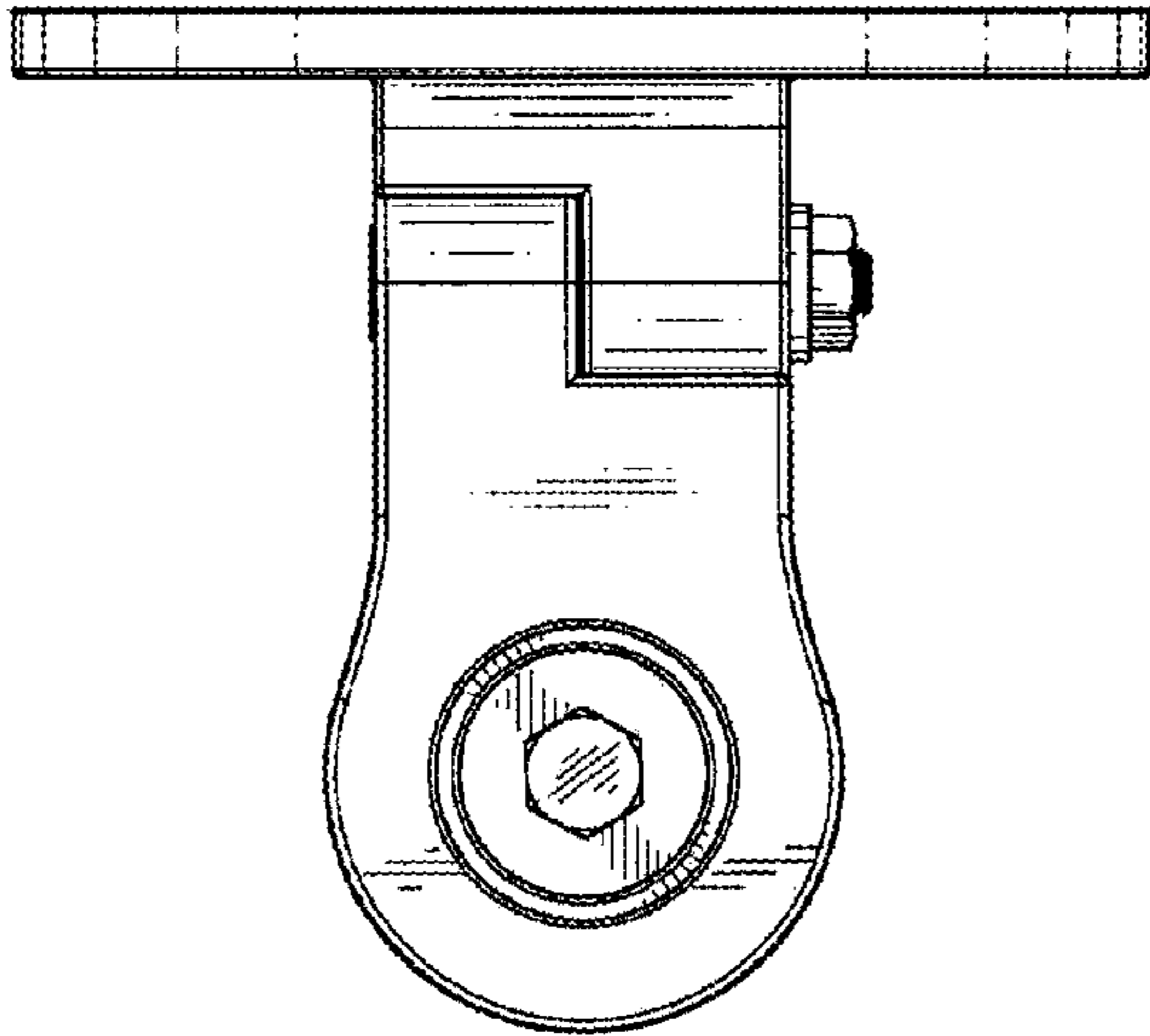


FIG. 6

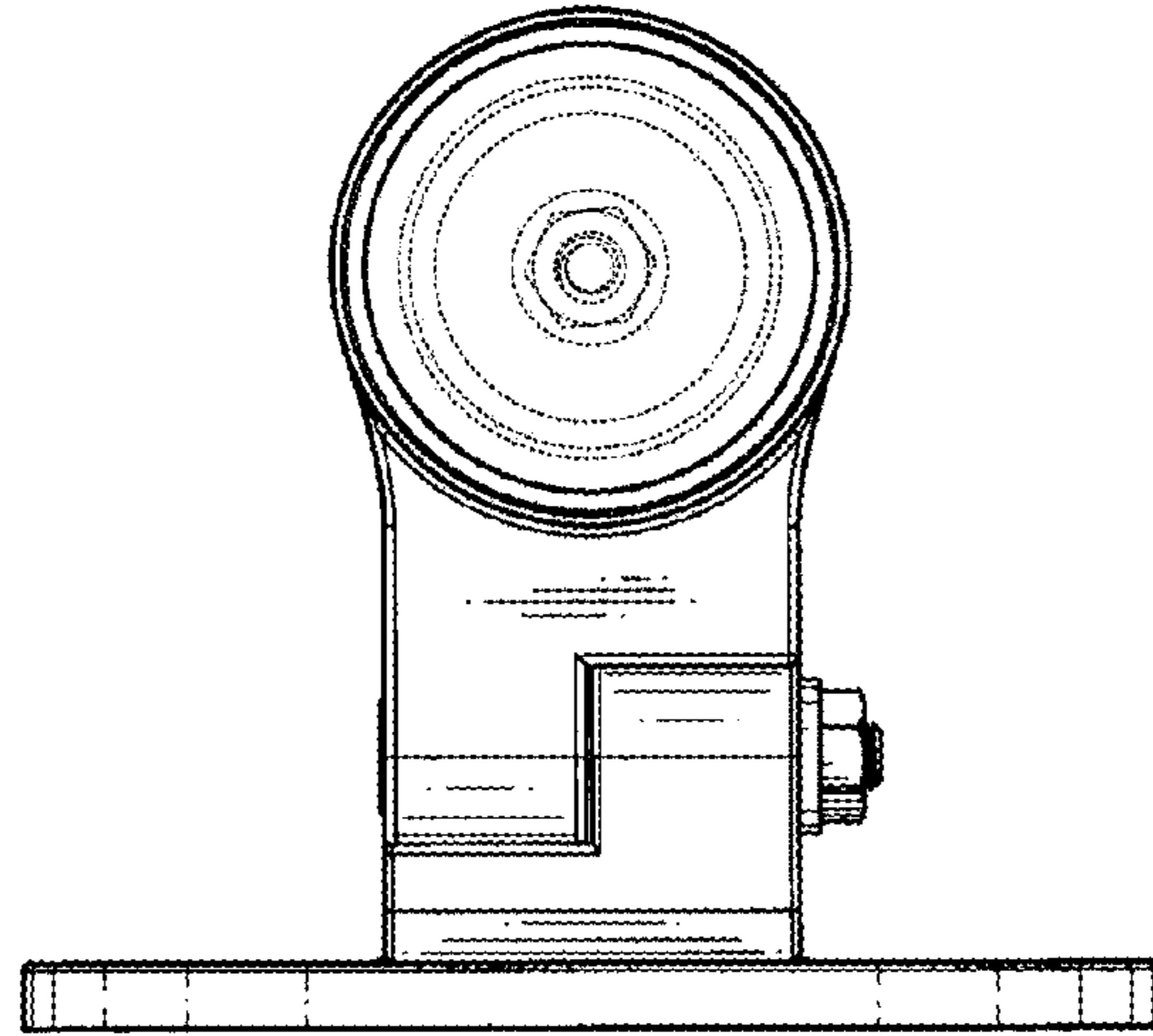


FIG. 7

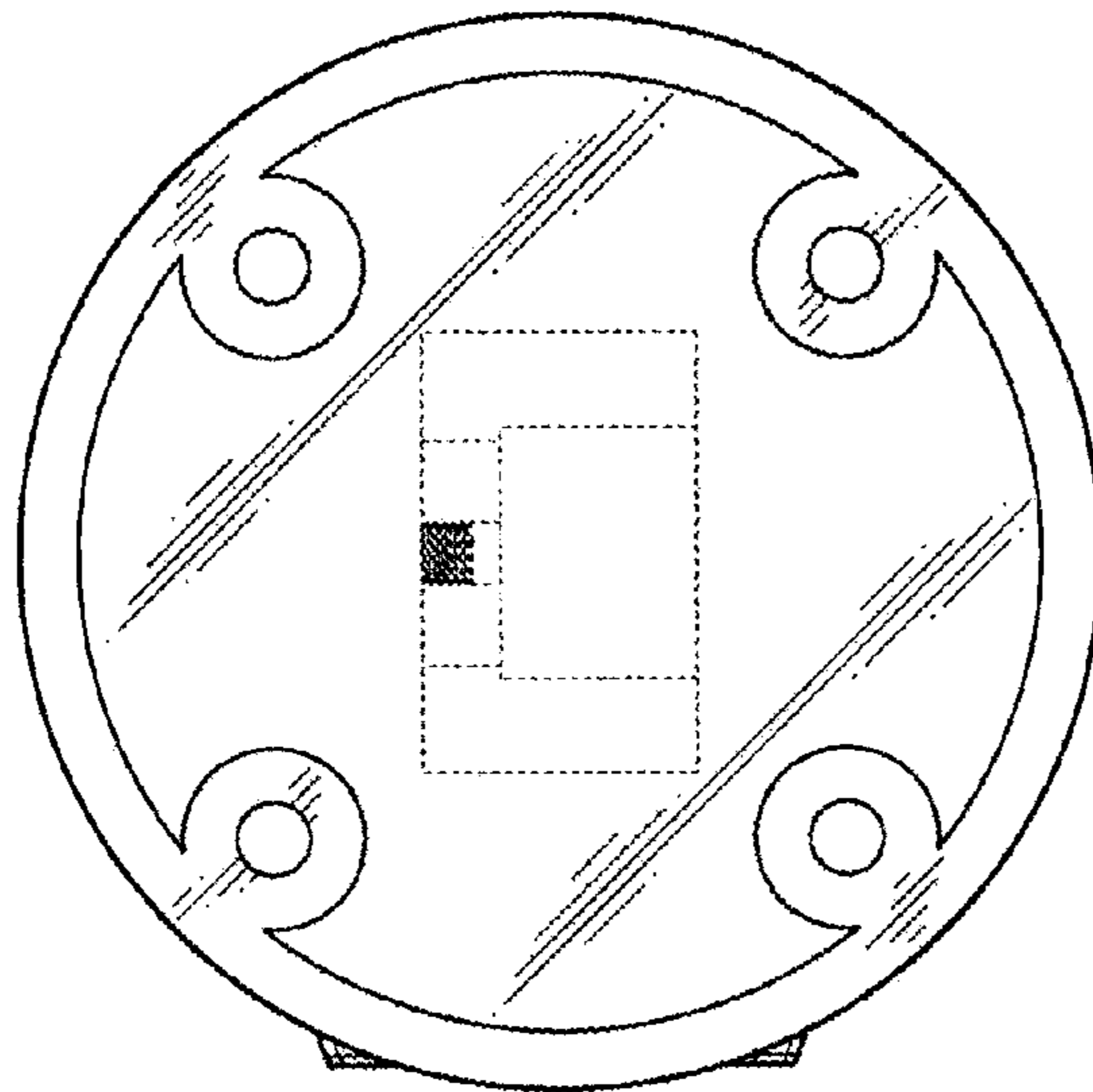


FIG. 8

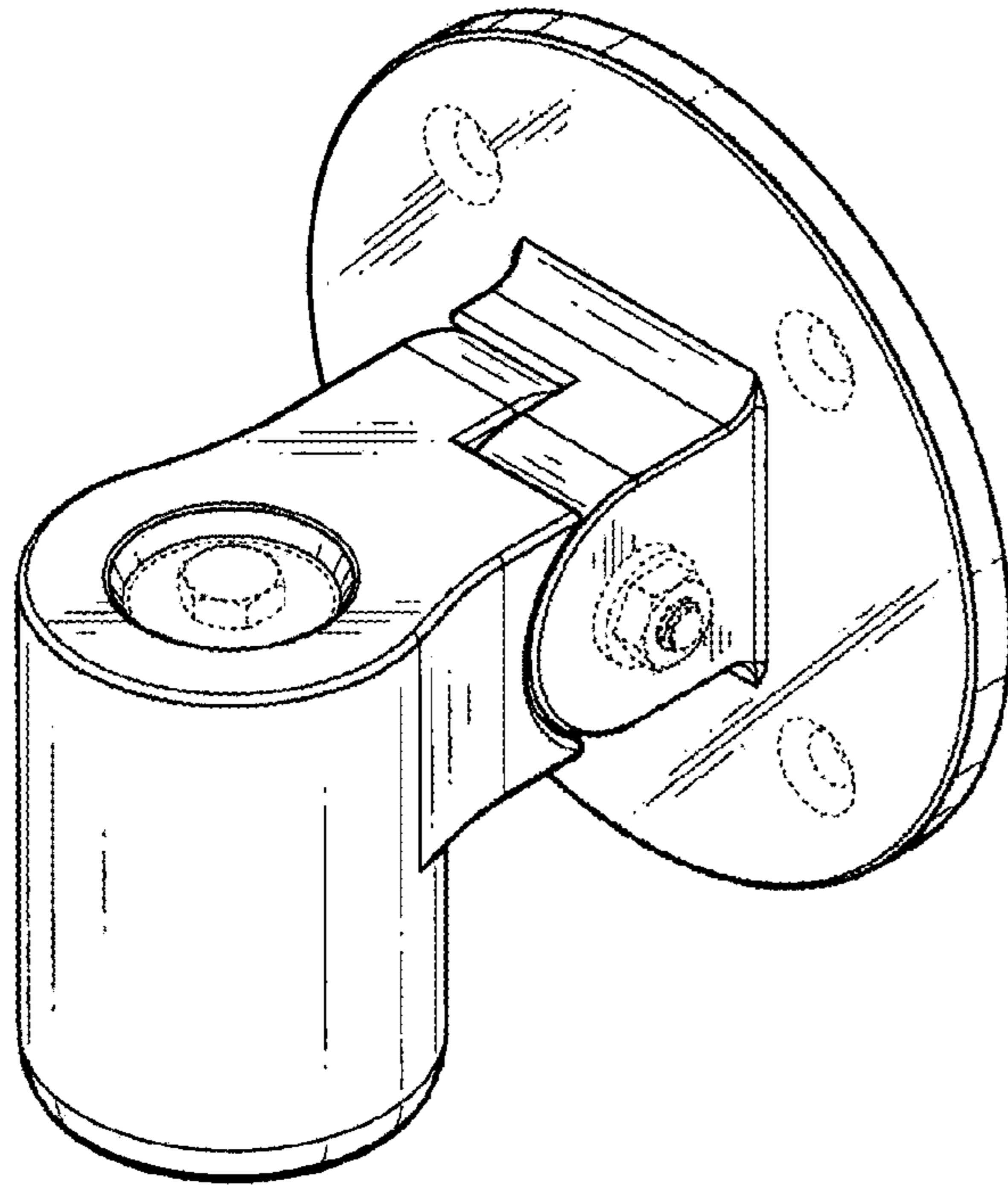
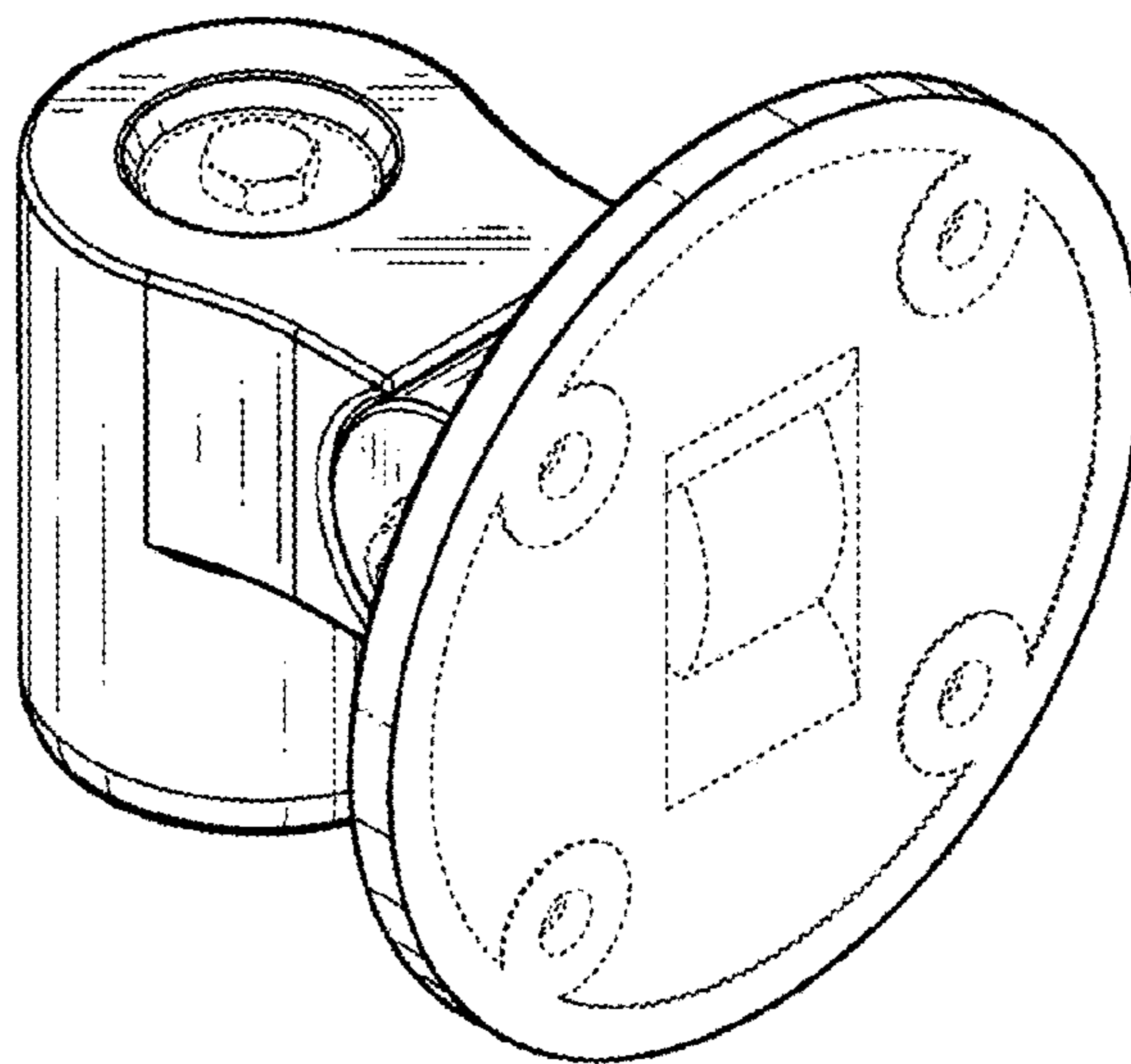


FIG. 9

FIG. 10



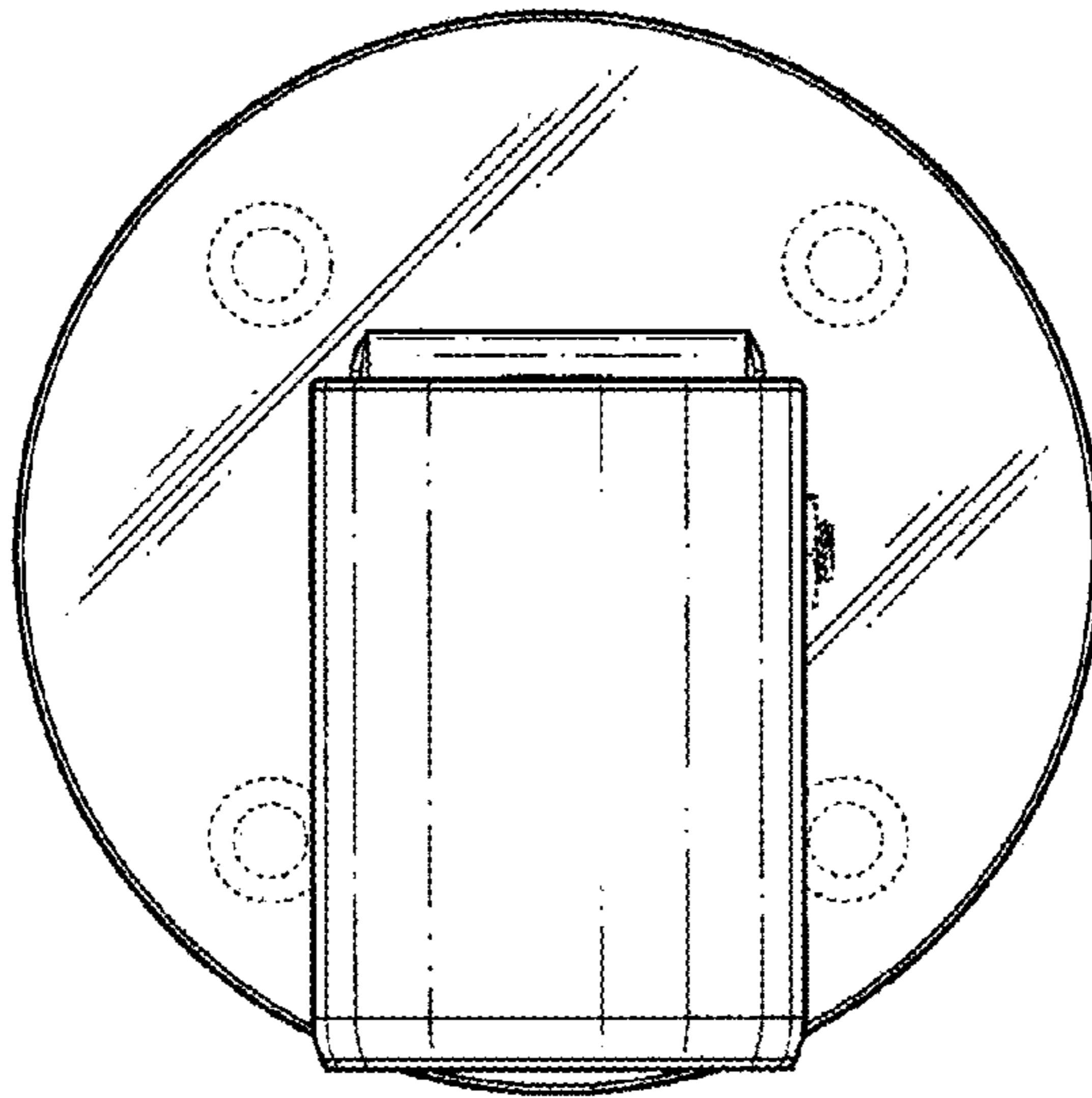


FIG. 11

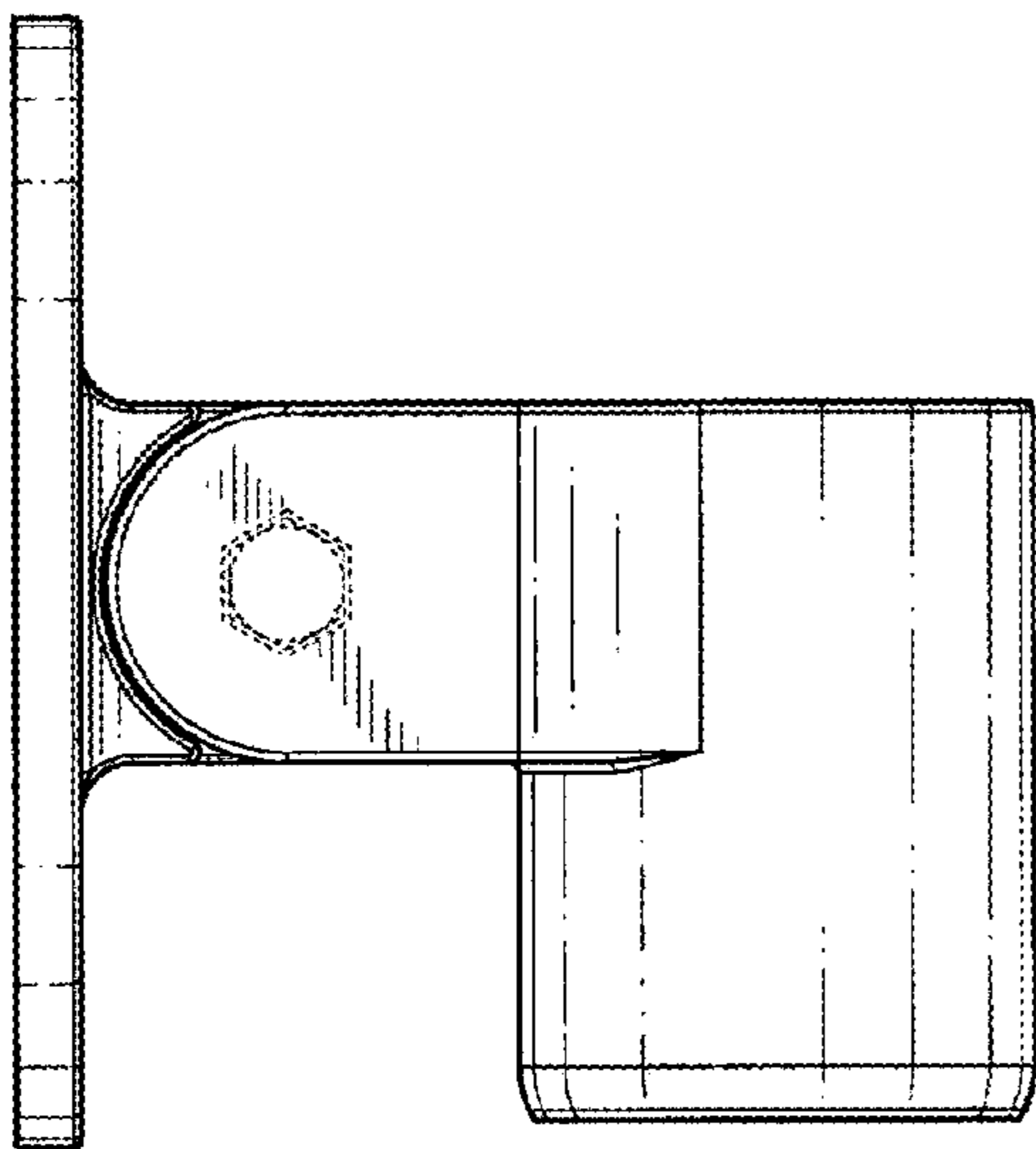


FIG. 12

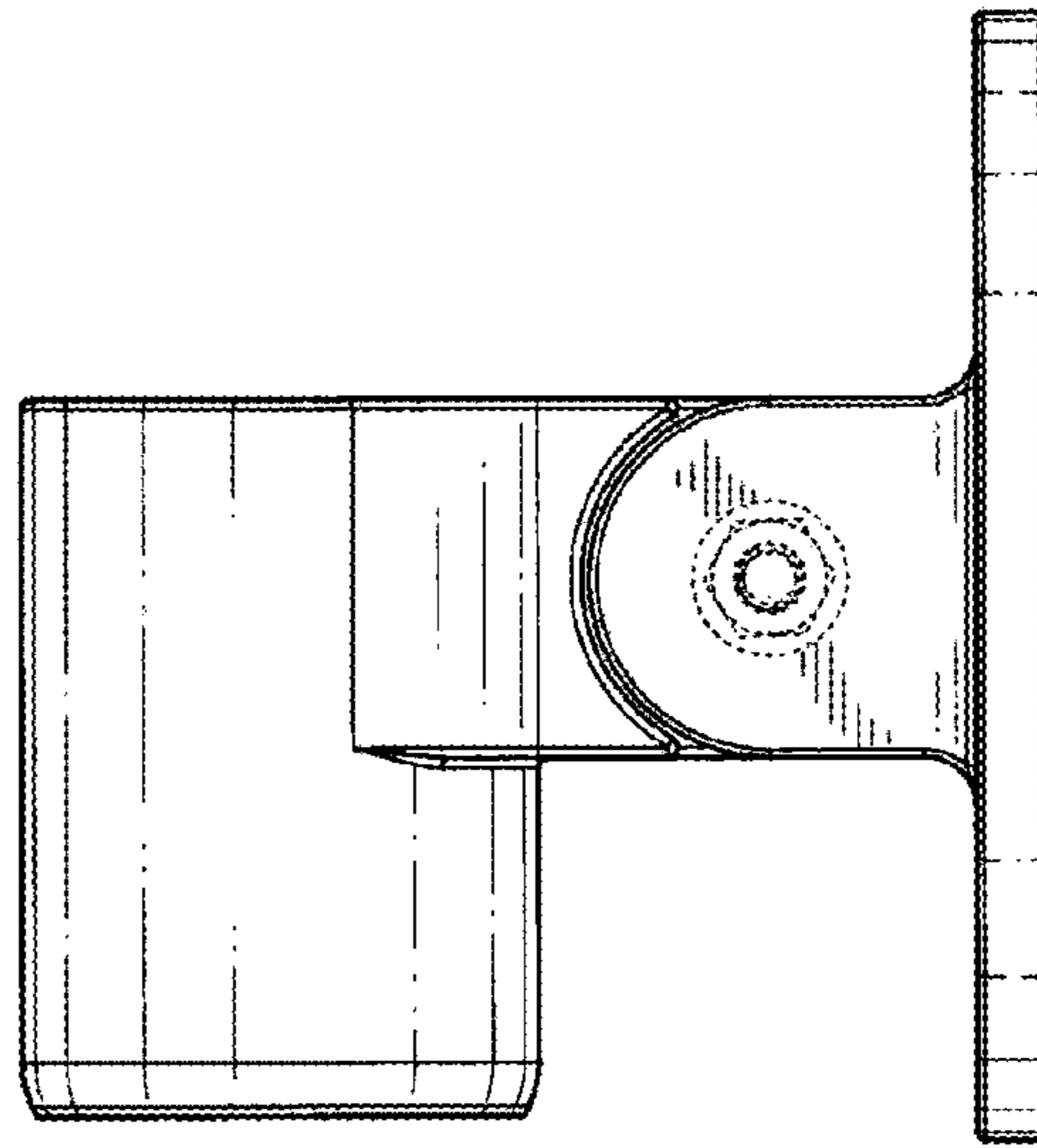


FIG. 13

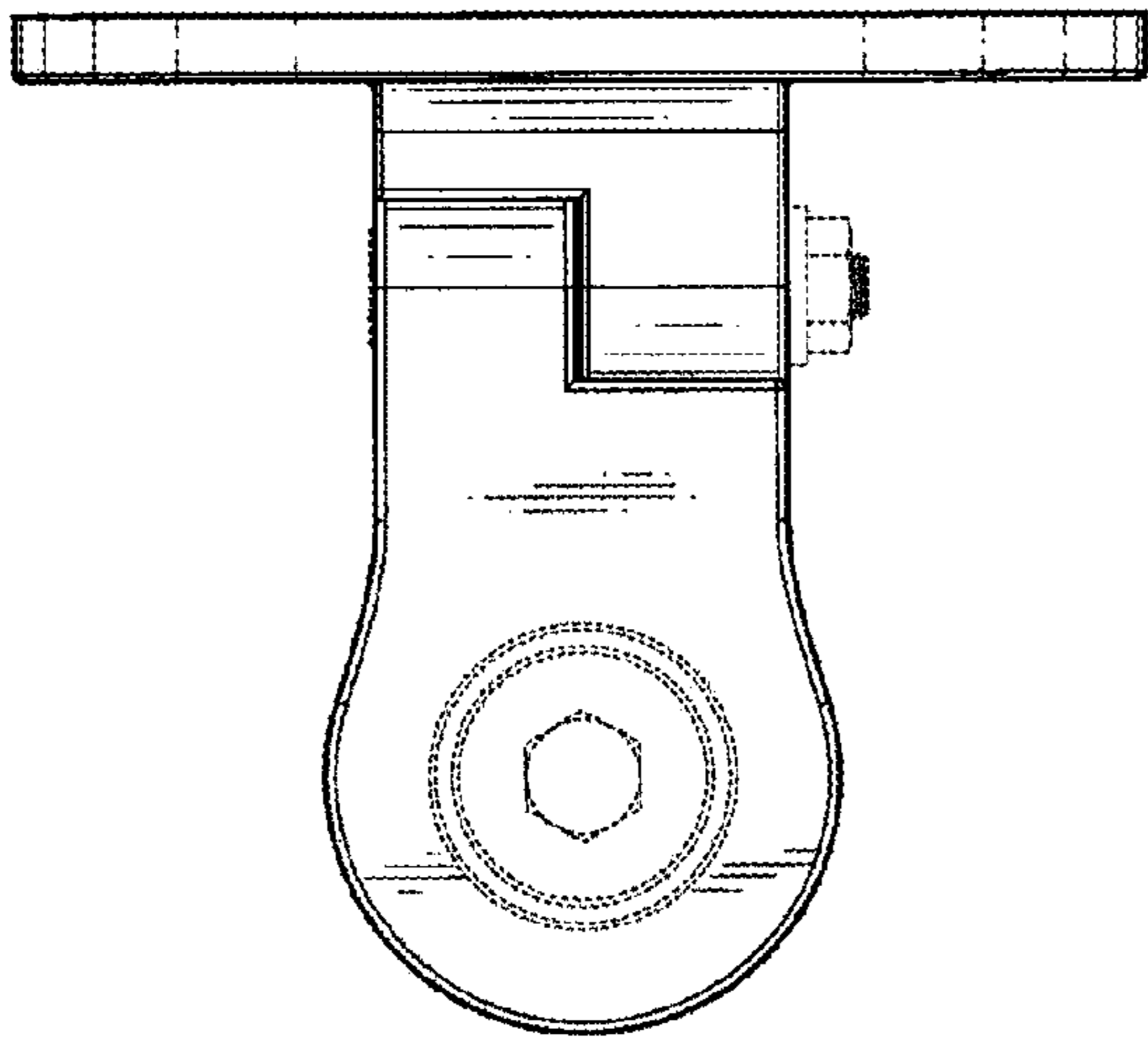


FIG. 14

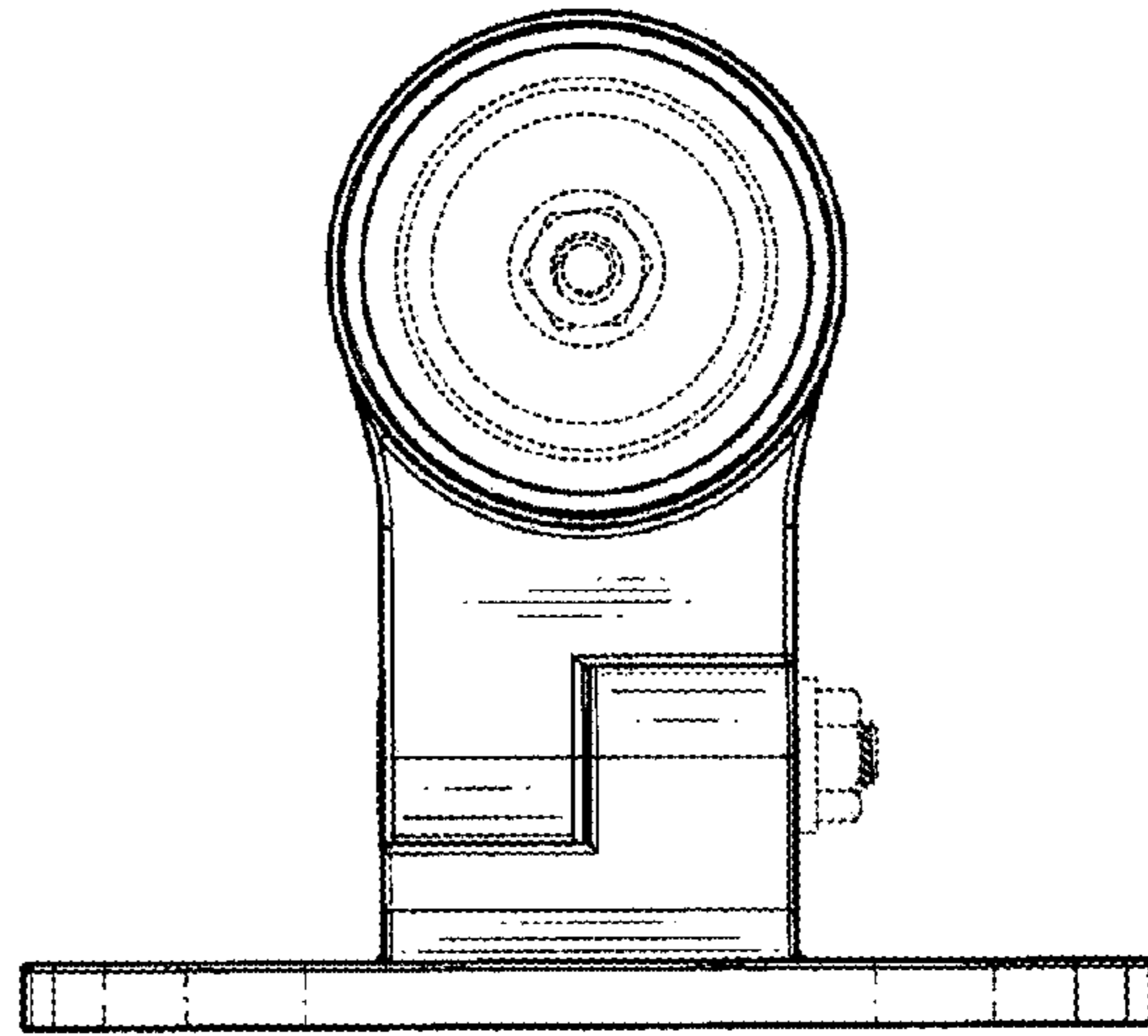


FIG. 15

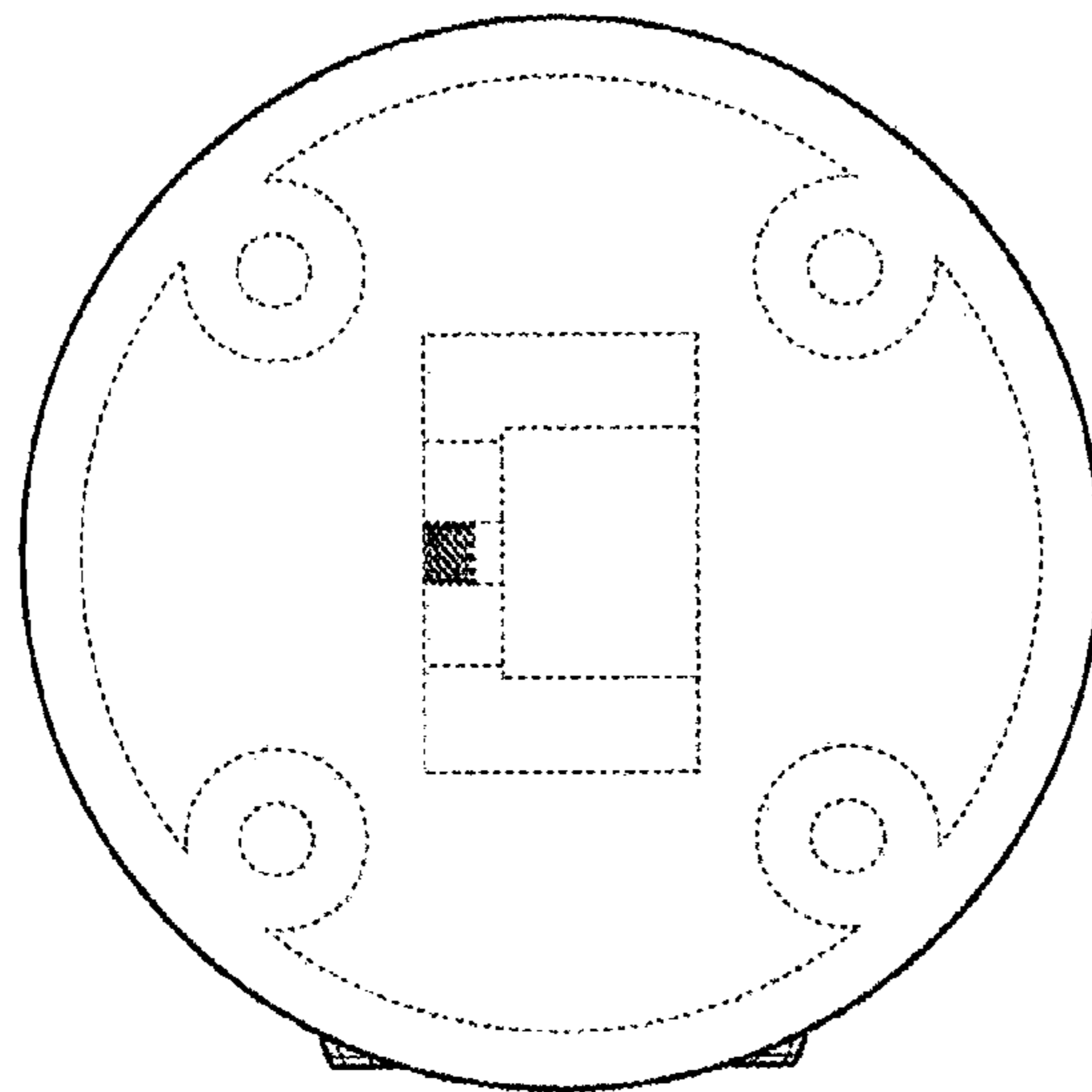


FIG. 16