



US00D744320S

(12) **United States Design Patent**
Parrish

(10) **Patent No.:** **US D744,320 S**
(45) **Date of Patent:** **** Dec. 1, 2015**

(54) **LINE ATTACHMENT DEVICE**

FOREIGN PATENT DOCUMENTS

(71) Applicant: **David Parrish**, Visalia, CA (US)

CN 103128699 A 6/2013
EP 0384942 A1 9/1990

(72) Inventor: **David Parrish**, Visalia, CA (US)

(Continued)

(**) Term: **14 Years**

OTHER PUBLICATIONS

(21) Appl. No.: **29/522,675**

Orchard Valley Supply—In-Line Wire Tightener—downloaded Dec. 2014 from <http://www.orchardvalleysupply.com/ovsstore/pc/In-Line-Wire-Tightener—15p18.htm>.

(22) Filed: **Apr. 1, 2015**

(Continued)

Related U.S. Application Data

Primary Examiner — Cynthia Underwood

(63) Continuation of application No. 14/676,343, filed on Apr. 1, 2015.

(74) *Attorney, Agent, or Firm* — Mark D. Miller; William K. Nelson

(51) **LOC (10) Cl.** **08-05**

(57) **CLAIM**

(52) **U.S. Cl.**
USPC **D8/356**

I claim the ornamental designs for a line attachment device, as shown and described.

(58) **Field of Classification Search**
USPC D8/367, 354, 349, 356, 1; D6/323;
248/301; 439/410

DESCRIPTION

CPC F16B 2/00; A63B 27/00
See application file for complete search history.

FIG. 1 is a perspective view of the top side of the line attachment device;

FIG. 2 is a perspective view of the bottom side of the line attachment device of FIG. 1;

FIG. 3 is a perspective anterior view of the line attachment device of FIG. 1;

FIG. 4 is a top view of a first side of the line attachment device of FIG. 1;

FIG. 5 is a bottom view of the line attachment device of FIG. 1;

FIG. 6 is an anterior view of the line attachment device of FIG. 1;

FIG. 7 is a posterior view of the line attachment device of FIG. 1;

FIG. 8 is a side view of a first side of the line attachment device of FIG. 1; and,

FIG. 9 is a side view of a second side of the line attachment device of FIG. 1.

(56) **References Cited**

U.S. PATENT DOCUMENTS

313,146 A	3/1885	Willsie
366,076 A	7/1887	Cleveland
442,893 A	12/1890	Hood et al.
447,436 A	3/1891	Parker
459,392 A	9/1891	Cleveland
493,432 A	3/1893	Kidd
562,015 A	6/1896	Morgan
598,494 A	2/1898	Bennett
598,641 A	2/1898	Nelson
604,302 A	5/1898	Clark
713,730 A	11/1902	Willmarth
735,026 A	7/1903	Willmarth et al.
760,450 A	5/1904	Hall

(Continued)

1 Claim, 9 Drawing Sheets



(56)

References Cited

U.S. PATENT DOCUMENTS

1,752,029	A	3/1930	Robertson	
2,416,708	A	3/1947	Moore	
2,496,249	A	1/1950	Lawrence	
3,949,968	A	4/1976	Verhelst	
D347,157	S *	5/1994	Brown	D8/333
6,095,450	A *	8/2000	Jang	242/388.5
D438,090	S *	2/2001	Friedman	D8/349
6,293,521	B1	9/2001	Parrish	
6,435,478	B2	8/2002	Parrish	
6,820,862	B2	11/2004	Terzagi	
D614,018	S *	4/2010	McClanahan et al.	D8/356
8,172,203	B2 *	5/2012	Chou	254/225
8,225,547	B2	7/2012	Debruin	
8,402,611	B2	3/2013	Chang	
D684,542	S *	6/2013	Ledesma	D13/153
2001/0052593	A1	12/2001	Parrish	
2010/0051887	A1	3/2010	Wooster et al.	
2010/0229463	A1	9/2010	Debruin	

FOREIGN PATENT DOCUMENTS

EP	1688034	B1	12/2007
KR	101107732	B1	1/2012

OTHER PUBLICATIONS

English Machine Translation of Chinese Patent Application Publication CN103128699 published on Jun. 5, 2013, the English Machine

Translation was accessed and downloaded as early as Dec. 10, 2014 from <https://www.google.com/patents/CN103128699A?cl=en&dq=CN103128699&hl=en&sa=X&ei=Ak4cVd-fCYr3oATa5IKoDw&ved=0CB0Q6AEwAA>.

English Machine Translation of European Patent Application Publication EP0384942 published on Sep. 5, 1990, the English Machine Translation was accessed and downloaded as early as Dec. 10, 2014 from <https://www.google.com/patents/EP0384942A1?cl=en&dq=EP0384942&hl=en&sa=X&ei=104cVeGTCJKtogTzmoDACg&ved=0CB4Q6AEwAA>.

Jackson Fencing—Heavy Duty Ratchet Strainer—downloaded Dec. 2014 from https://www.jacksons-fencing.co.uk/product/sc_342000/-heavy-duty-ratchet-strainer-galvanized.aspx?tpc=BF&fmc=CC&fnc=AX&timber=0.

He, S., Embedded Tensioner, English Abstract of Chinese Patent Publication CN103128699, Jun. 5, 2013, European Patent Organization, <http://www.epo.org/searching/free/espacenet.html>.

Alberts, H., Clamp for a chain link wire fabric stretch bar, English Abstract of European Patent Publication EP0384942, Sep. 5, 1990, European Patent Organization, <http://www.epo.org/searching/free/espacenet.html>.

Hong, K.H., Growth guide equipment of vine crops, English Abstract of Korean Patent Publication KR101107732, Jan. 25, 2012, European Patent Organization, <http://www.epo.org/searching/free/espacenet.html>.

* cited by examiner

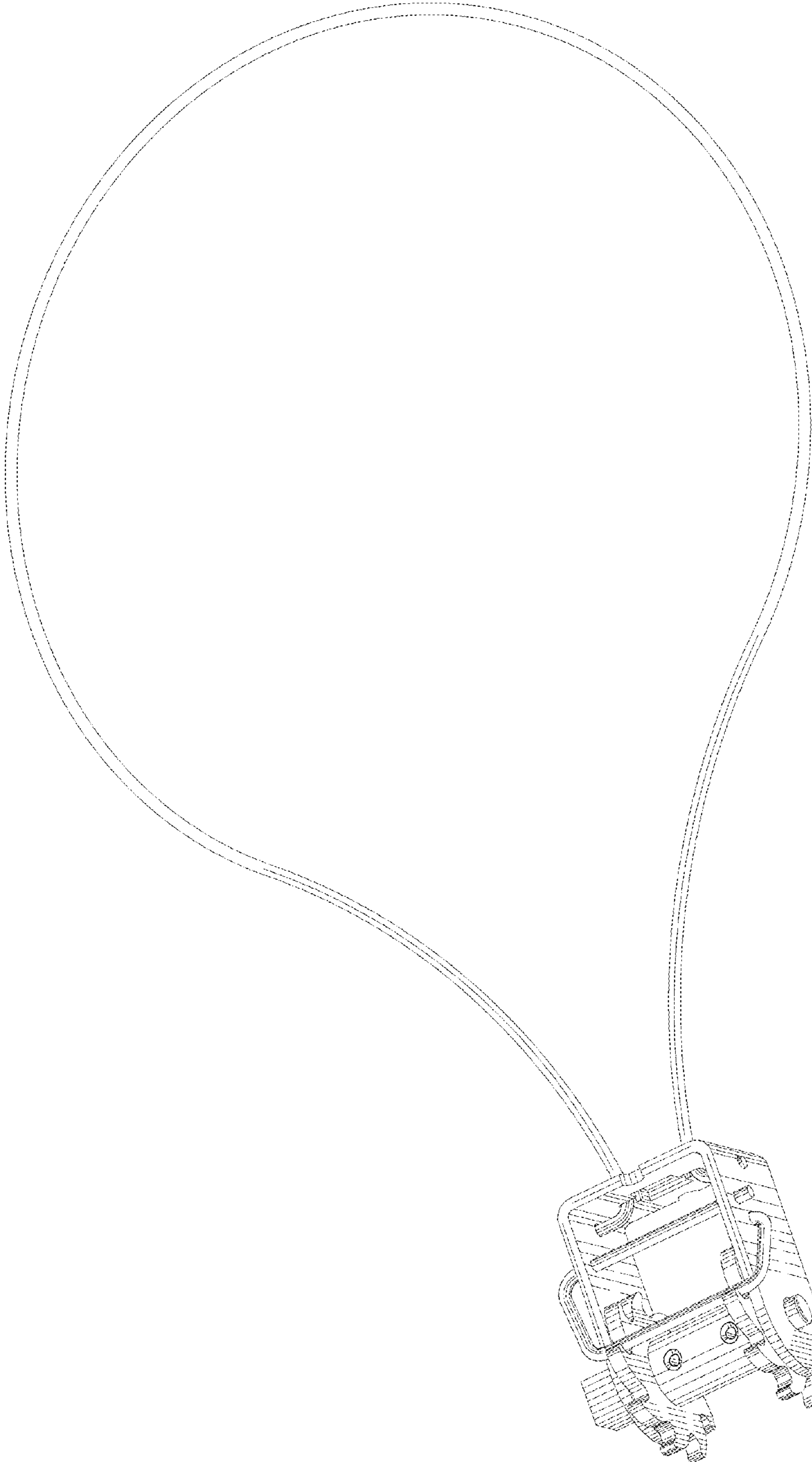


FIG. 1

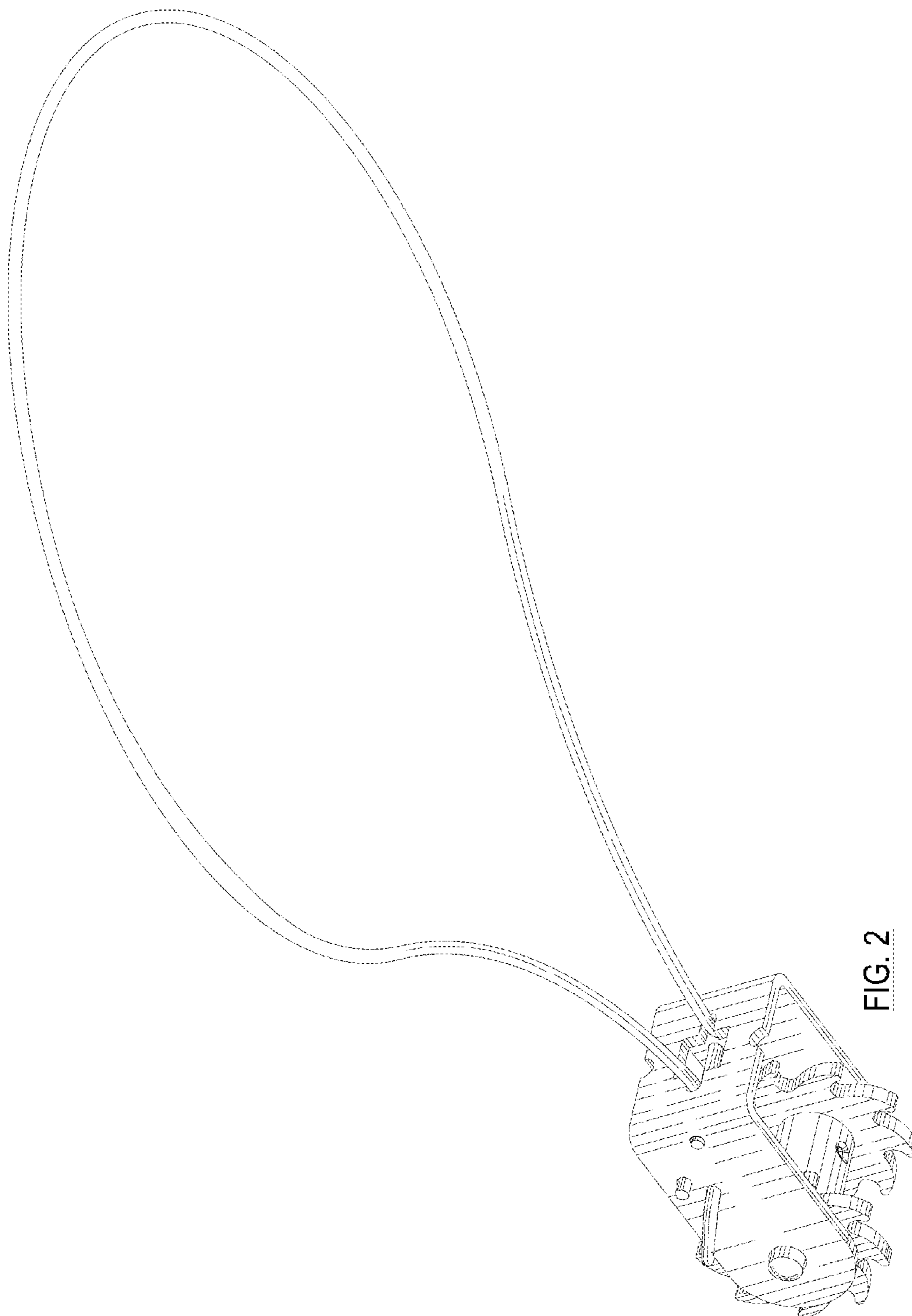


FIG. 2

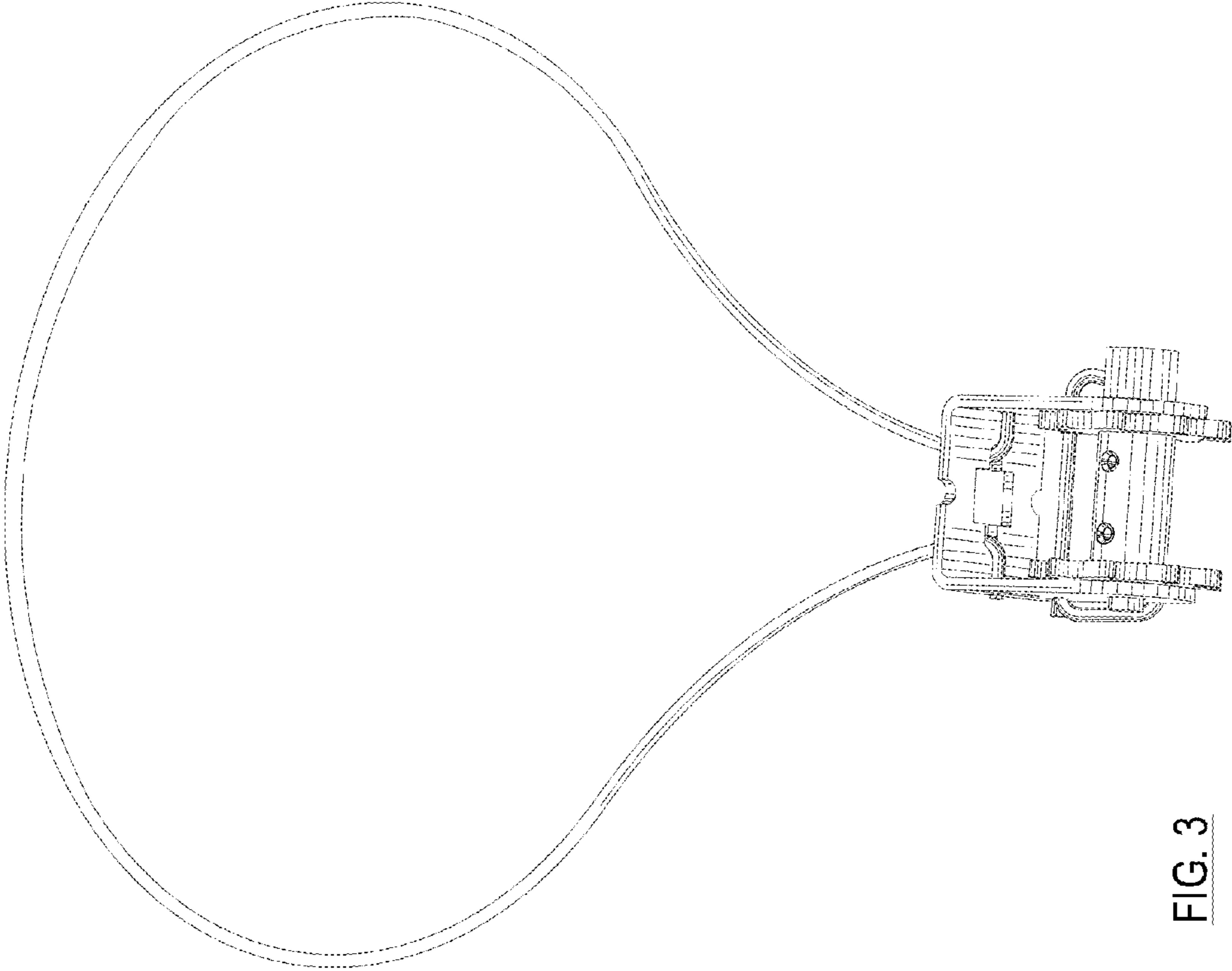


FIG. 3

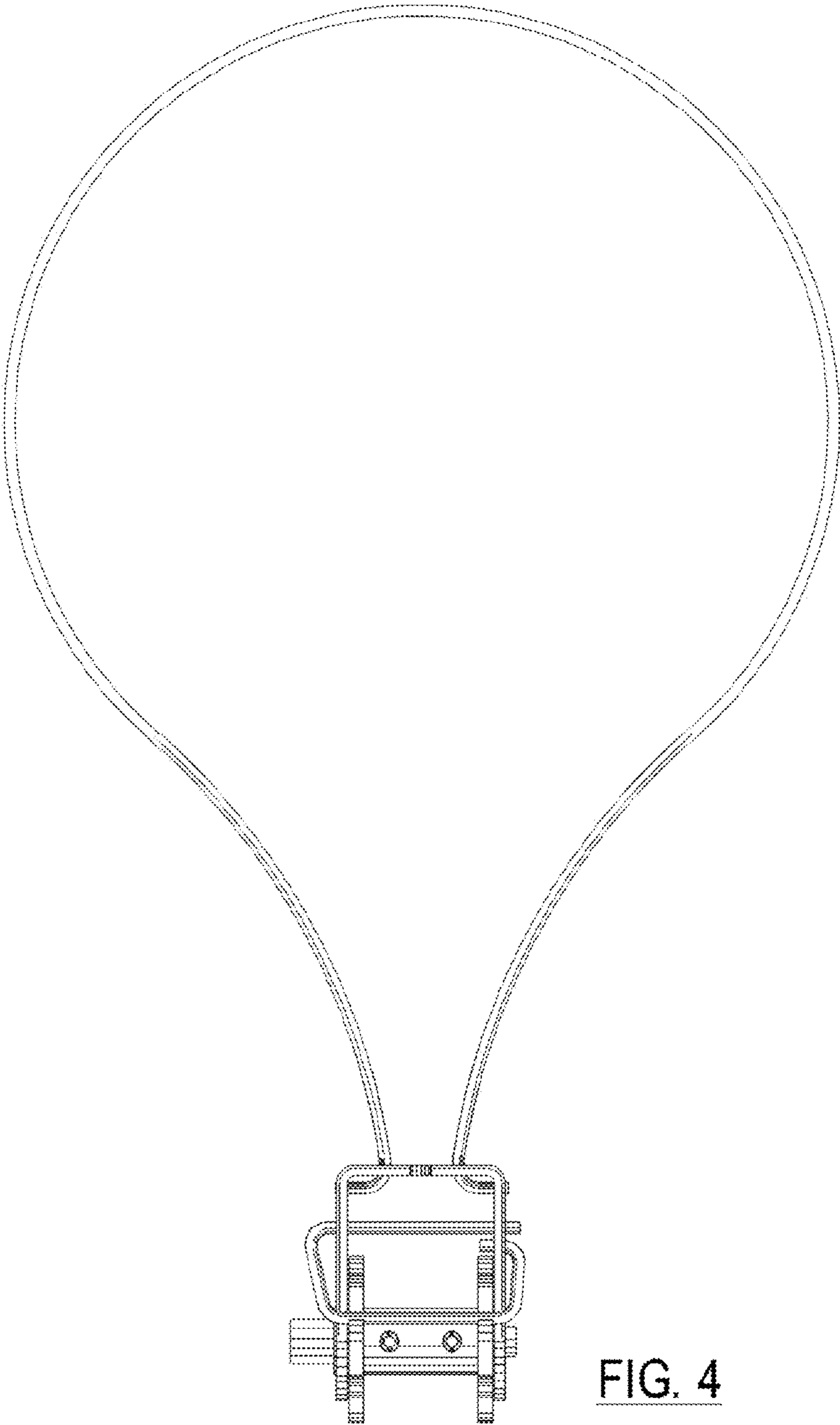


FIG. 4

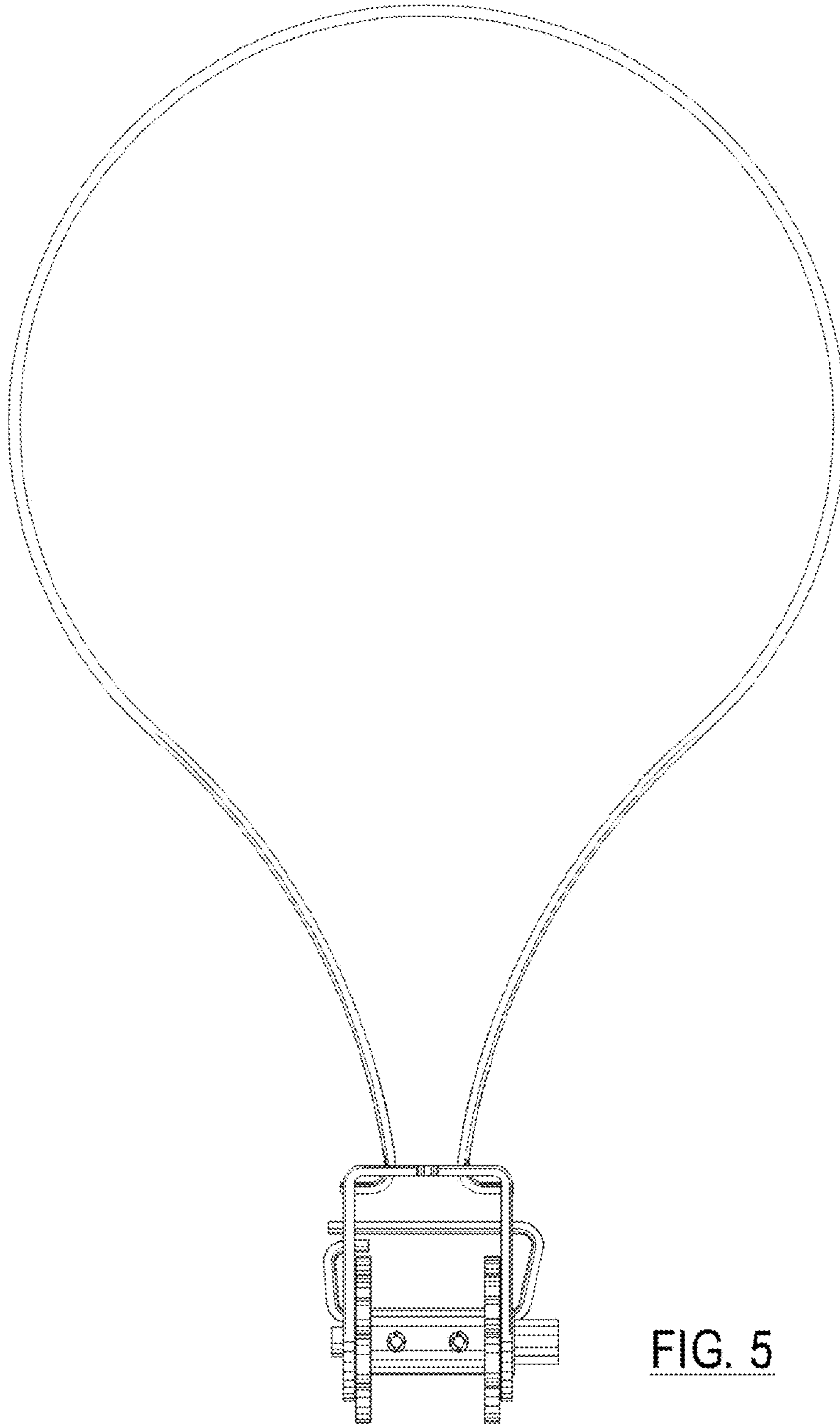


FIG. 5

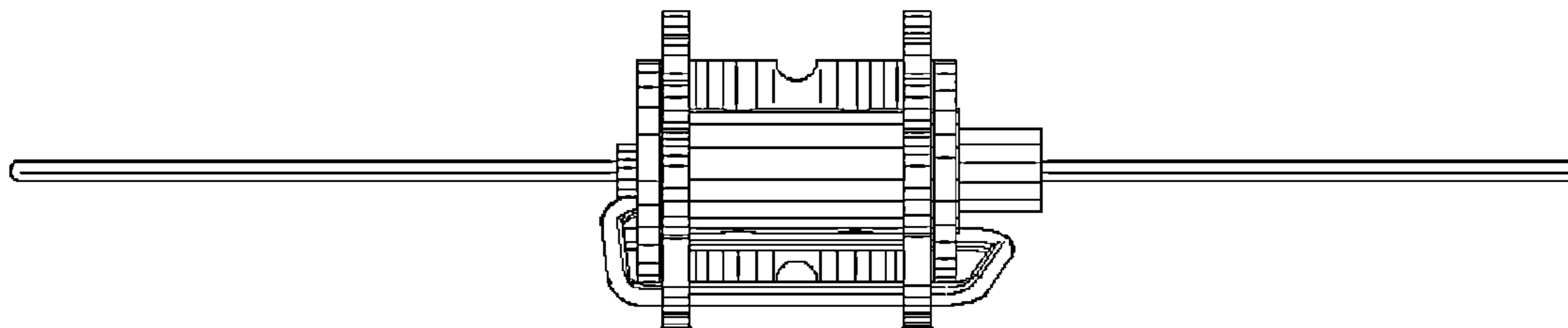


FIG. 6

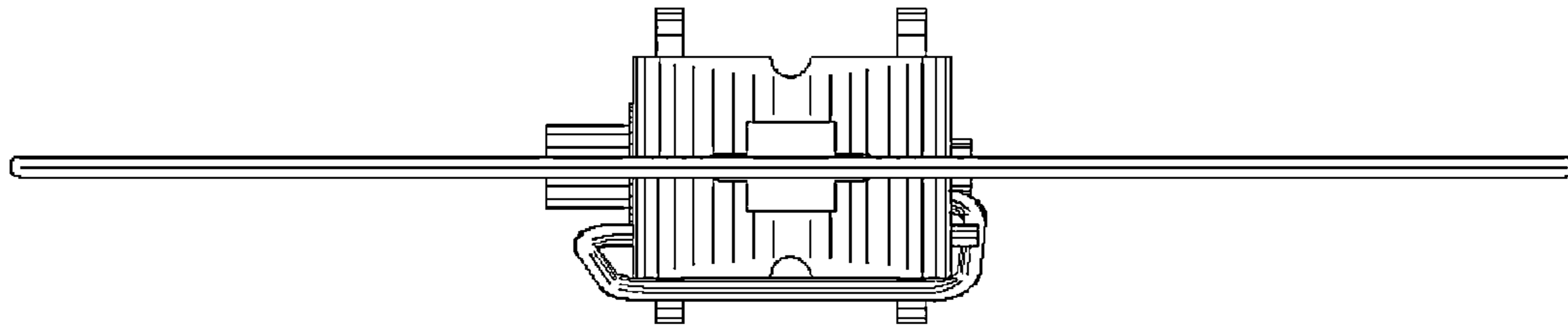


FIG. 7

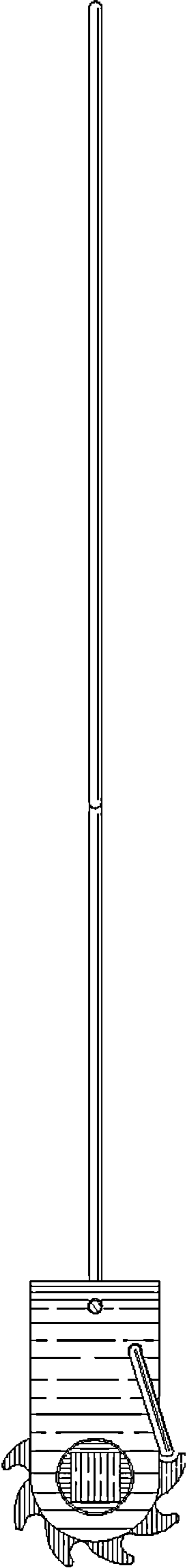


FIG. 8

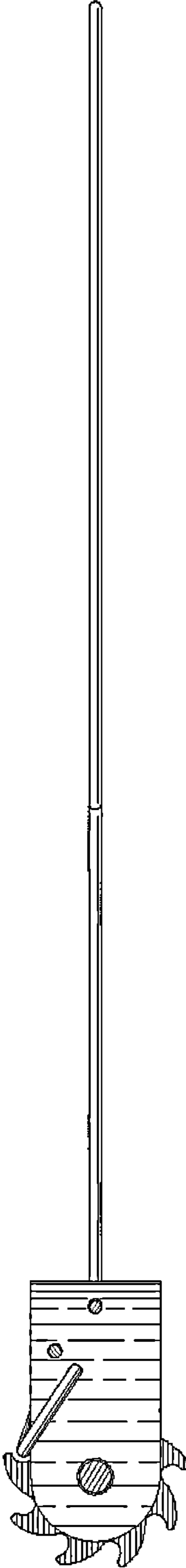


FIG. 9