



US00D744317S

(12) **United States Design Patent**
Densberger et al.

(10) **Patent No.:** **US D744,317 S**
(45) **Date of Patent:** **** Dec. 1, 2015**

- (54) **STRUCTURAL MEMBER**
 - (71) Applicant: **SANMINA CORPORATION**, San Jose, CA (US)
 - (72) Inventors: **Shaun Densberger**, Livermore, CA (US); **Darren May**, Calgary (CA); **Glen Gommels**, Scottsdale, AZ (US); **Eric Pryor**, Union City, CA (US)
 - (73) Assignee: **Sanmina Corporation**, San Jose, CA (US)
 - (**) Term: **14 Years**
 - (21) Appl. No.: **29/448,240**
 - (22) Filed: **Mar. 11, 2013**
 - (51) **LOC (10) Cl.** **08-05**
 - (52) **U.S. Cl.**
USPC **D8/354**
 - (58) **Field of Classification Search**
USPC D8/349, 354; 248/300
CPC A47F 5/00; A47H 1/10; E04G 29/00;
A47B 97/00; A47G 29/08; H02G 3/123;
B60R 2011/0005; B60K 2350/941; B60K 37/04
- See application file for complete search history.

D341,074	S	*	11/1993	Wagner	D8/349
5,806,945	A		9/1998	Anderson et al.		
D565,933	S	*	4/2008	Berry et al.	D8/354
D615,853	S	*	5/2010	Sullivan	D8/380

FOREIGN PATENT DOCUMENTS

DE	102007037507	A1	8/2008
RU	78610	U1	11/2008

* cited by examiner

Primary Examiner — Holly Baynham

(74) *Attorney, Agent, or Firm* — Loza & Loza, LLP; Julio Loza

(57) **CLAIM**

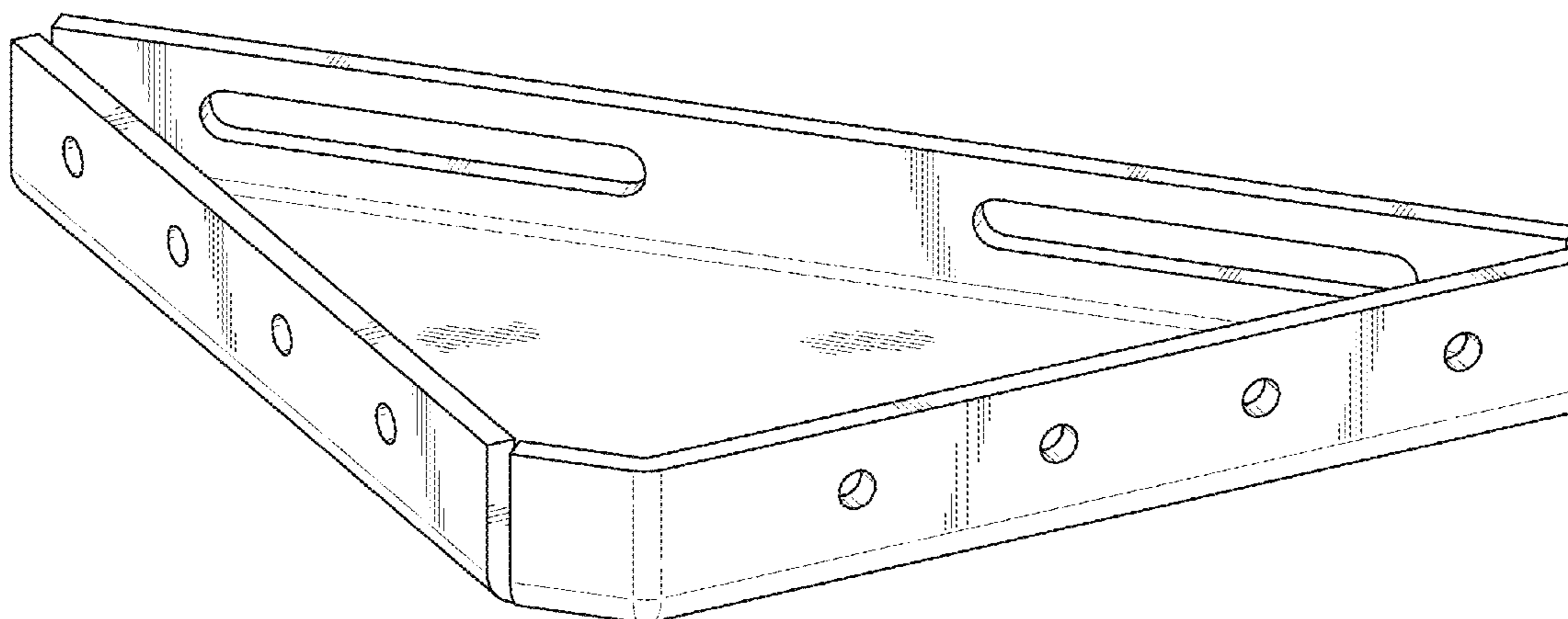
The ornamental design for a structural member, as shown and described.

DESCRIPTION

FIG. 1 is a top perspective view of a structural member, according to one embodiment;
 FIG. 2 is a front side elevation view of the structural member of FIG. 1;
 FIG. 3 is a back side elevation view of the structural member of FIG. 1;
 FIG. 4 is a right side elevation view of the structural member of FIG. 1;
 FIG. 5 is a left side elevation view of the structural member of FIG. 1;
 FIG. 6 is a top plan view of the structural member of FIG. 1; and,
 FIG. 7 is a bottom plan view of the structural member of FIG. 1.

1 Claim, 5 Drawing Sheets

- (56) **References Cited**
U.S. PATENT DOCUMENTS
- | | | | |
|-----------|---|---------|-----------|
| 3,353,854 | A | 11/1967 | Hansen |
| 3,912,407 | A | 10/1975 | Heininger |
| 4,592,672 | A | 6/1986 | Ruch, Jr. |



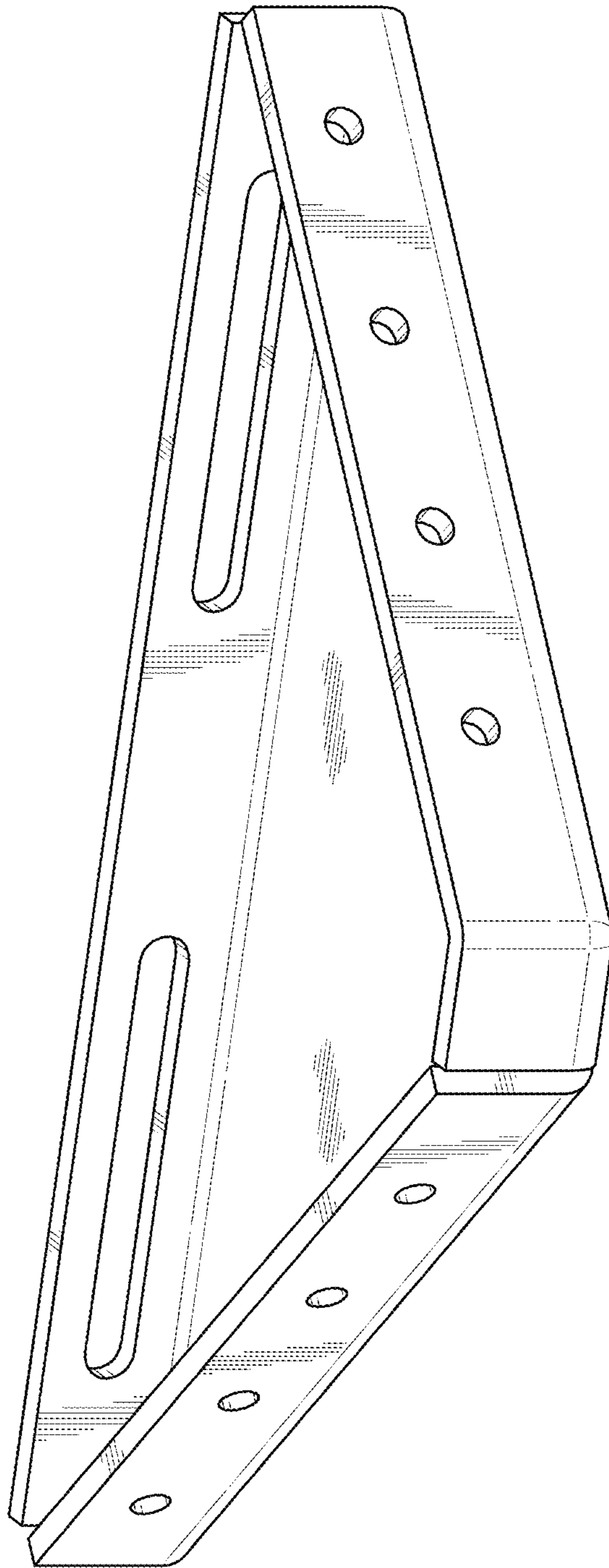


FIG. 1

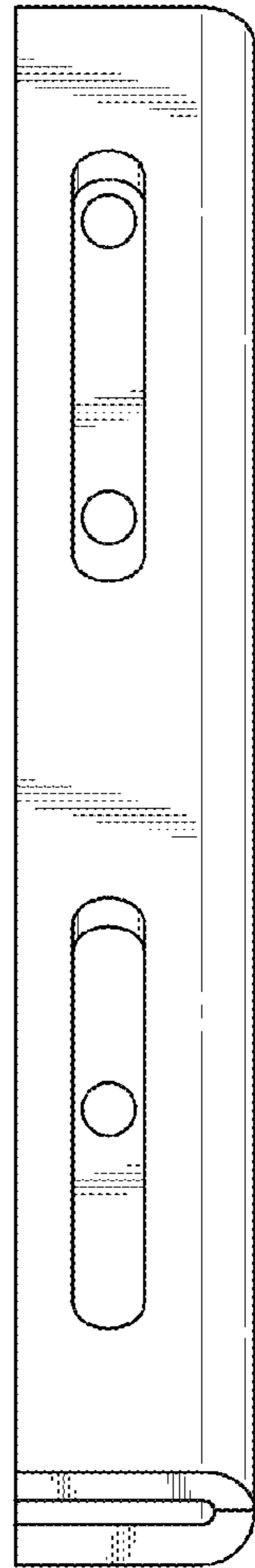


FIG. 2

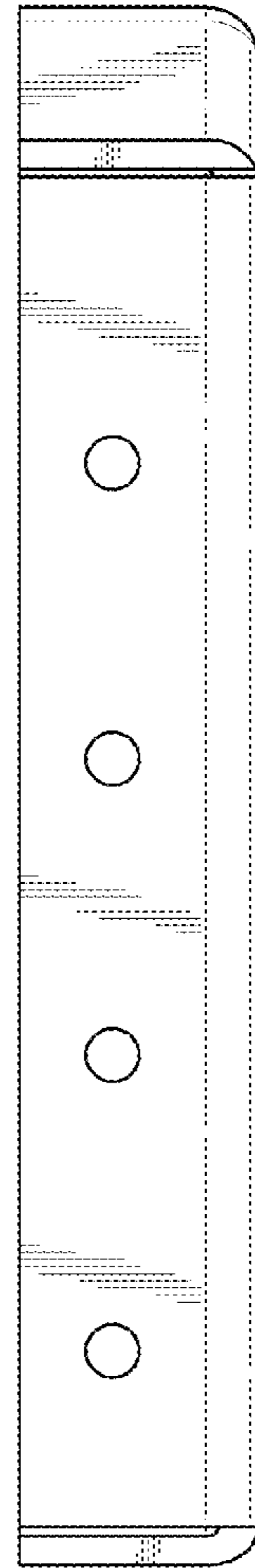


FIG. 3

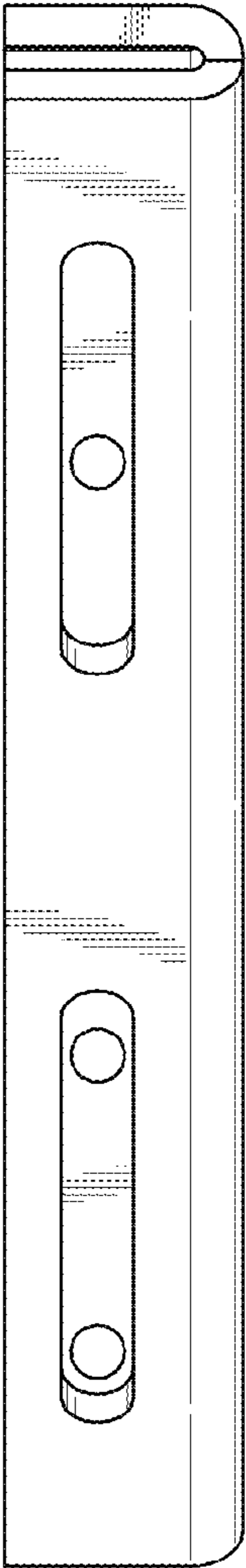


FIG. 4

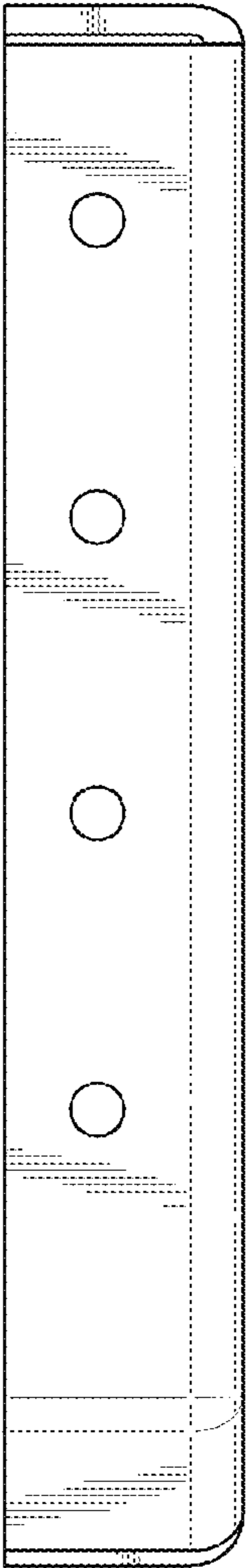


FIG. 5

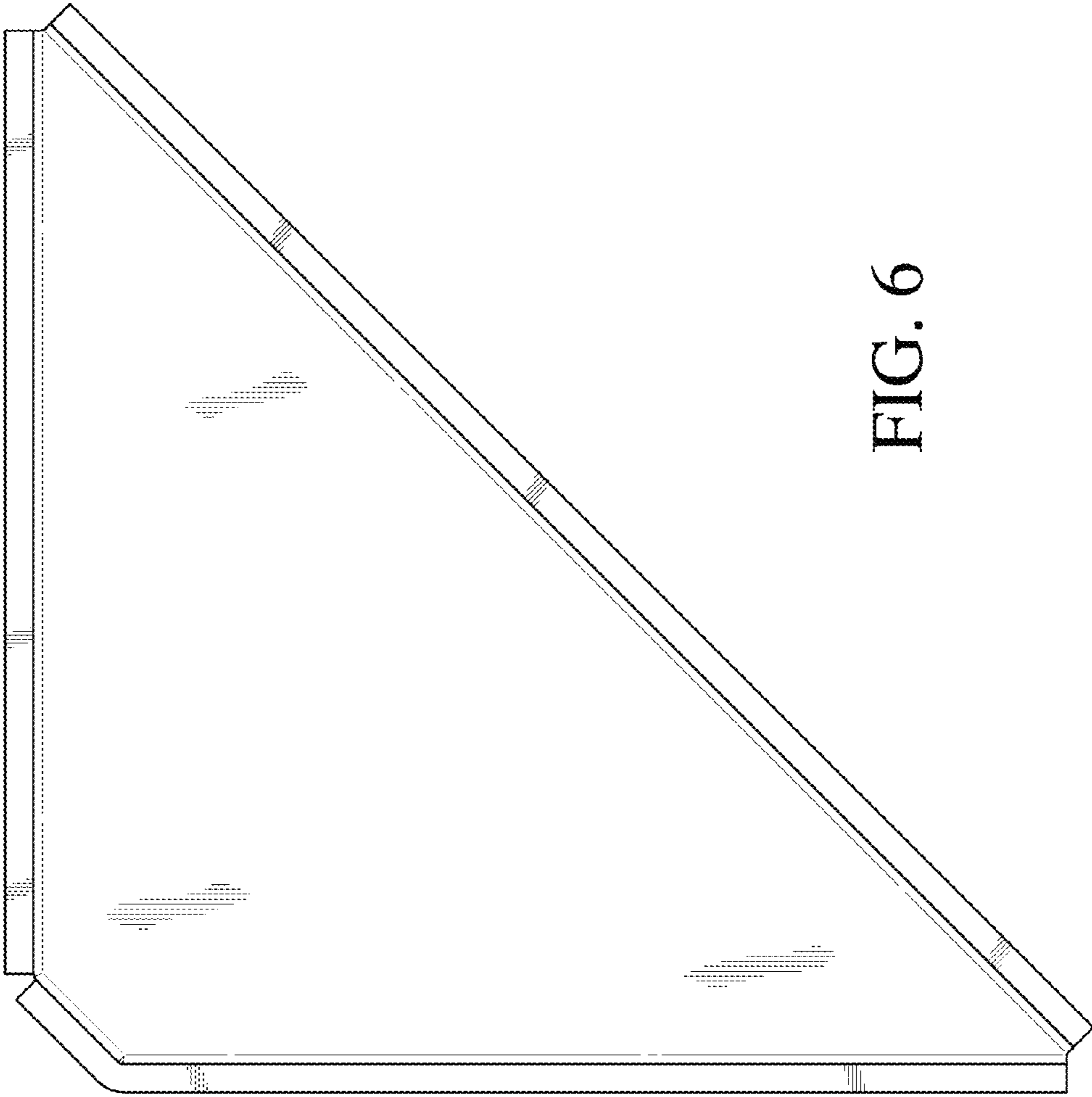


FIG. 6

FIG. 7

