



US00D744316S

(12) **United States Design Patent**
Nook et al.

(10) **Patent No.:** **US D744,316 S**

(45) **Date of Patent:** **** Dec. 1, 2015**

(54) **SUCTION CUP CLIP**

(56) **References Cited**

(71) Applicant: **THE NOCO COMPANY**, Glenwillow, OH (US)

U.S. PATENT DOCUMENTS

(72) Inventors: **Jonathan Lewis Nook**, Gates Mills, OH (US); **William Knight Nook, Sr.**, Shaker Heights, OH (US); **James Richard Stanfield**, Peoria, AZ (US); **Derek Michael Underhill**, Tempe, AZ (US)

D332,390	S	*	1/1993	Adams	D8/373
D408,725	S	*	4/1999	Adams	D8/373
6,131,865	A	*	10/2000	Adams	248/206.2
D484,395	S	*	12/2003	Felsenthal	D8/373
D506,380	S	*	6/2005	Chu	D8/349
D608,624	S	*	1/2010	Adams	D8/367
D625,580	S	*	10/2010	Giordano	D8/349
D649,866	S	*	12/2011	Roehrig et al.	D8/395
2013/0042440	A1	*	2/2013	Davies	24/304

(73) Assignee: **THE NOCO COMPANY**, Glenwillow, OH (US)

* cited by examiner

(**) Term: **14 Years**

Primary Examiner — Thomas Johannes

Assistant Examiner — Shawn T Gingrich

(21) Appl. No.: **29/462,706**

(74) *Attorney, Agent, or Firm* — Vorys, Sater, Seymour and Pease LLP; William L. Klima

(22) Filed: **Aug. 7, 2013**

(57) **CLAIM**

(51) **LOC (10) Cl.** **08-08**

The ornamental design for a suction cup clip, as shown and described.

(52) **U.S. Cl.**

DESCRIPTION

USPC **D8/349**

(58) **Field of Classification Search**

USPC D8/330, 349, 352-354, 373, 382, 394, D8/395, 499; D26/13, 118, 128; 403/169; 248/309.1, 206.2, 205.5, 316.7, 206.5, 248/363; 52/582.1, 586.1, 650.3, 702, 712

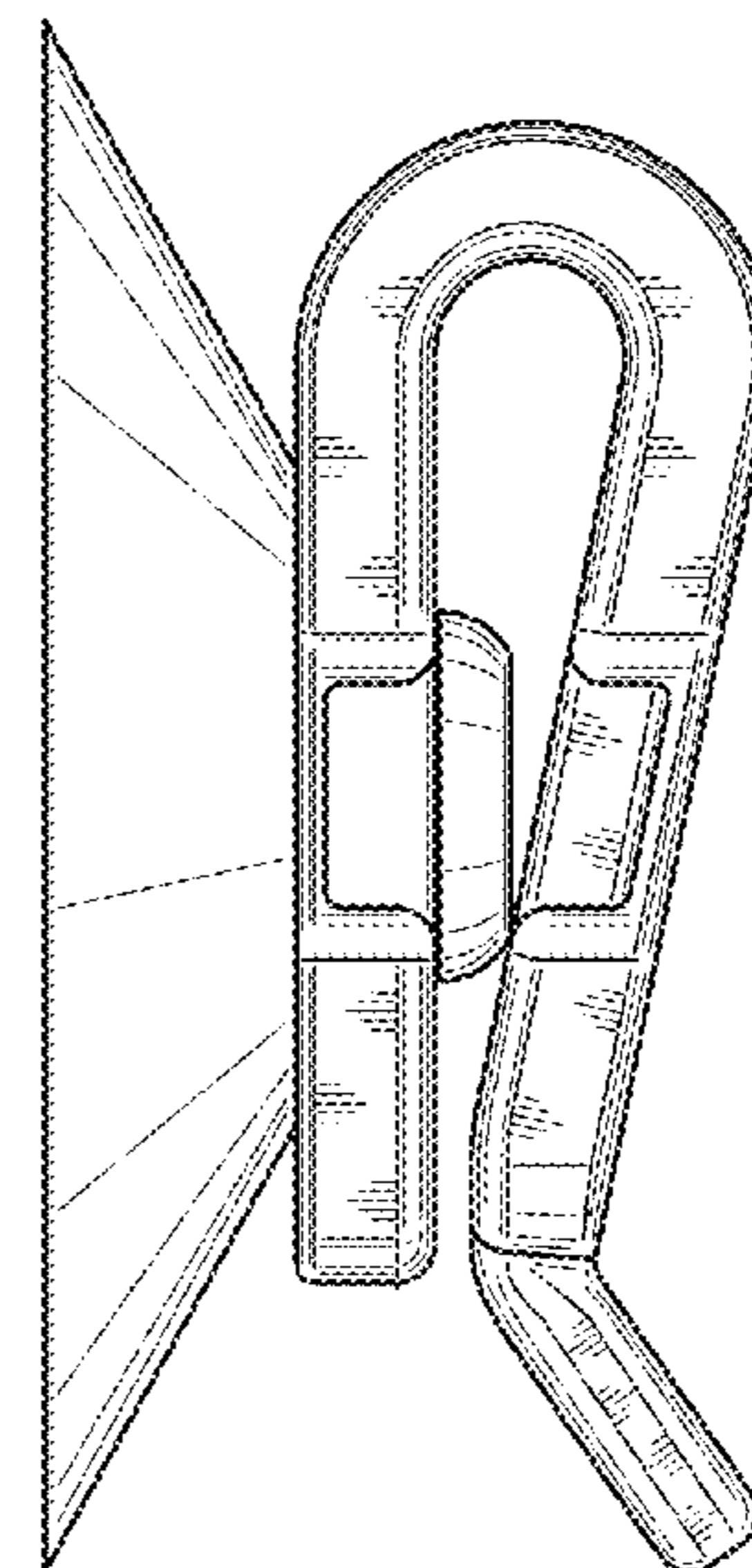
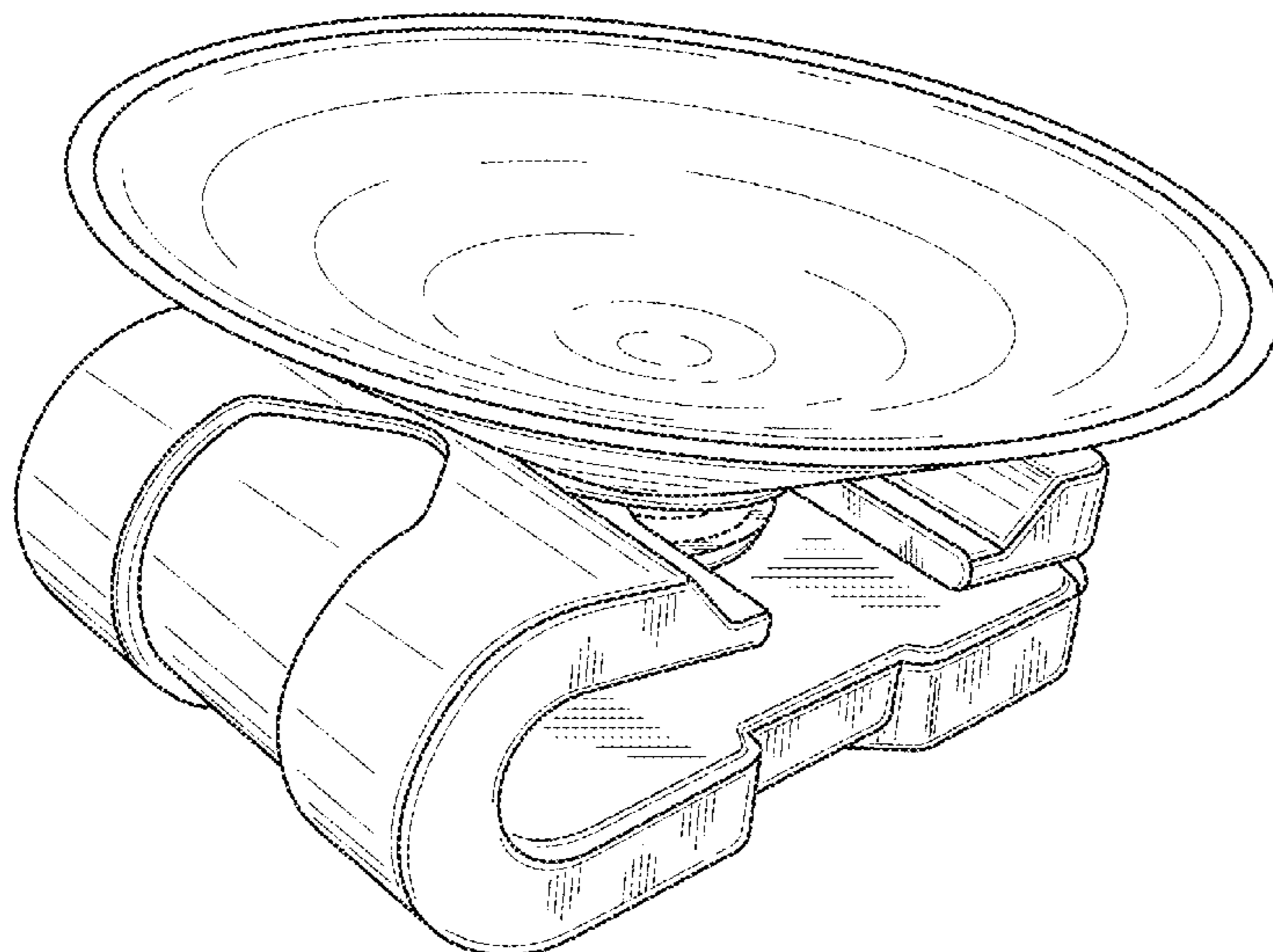
CPC A63F 2003/00905; B60J 3/0247; B25S 5/0683; B66C 1/0293; E05C 17/525; Y10S 160/13; Y10S 292/28; F16B 47/00; F16B 47/006; A45D 42/14; B60R 11/02; A47G 1/17

FIG. 1 is a perspective view for a suction cup clip;
 FIG. 2 is a rear planar view thereof;
 FIG. 3 is a front planar view thereof;
 FIG. 4 is a right-side elevational view thereof;
 FIG. 5 is a left-side elevational view thereof;
 FIG. 6 is a top end view thereof; and,
 FIG. 7 is a bottom end view thereof.

The parts delineated in broken lines are not part of the claimed design.

See application file for complete search history.

1 Claim, 4 Drawing Sheets



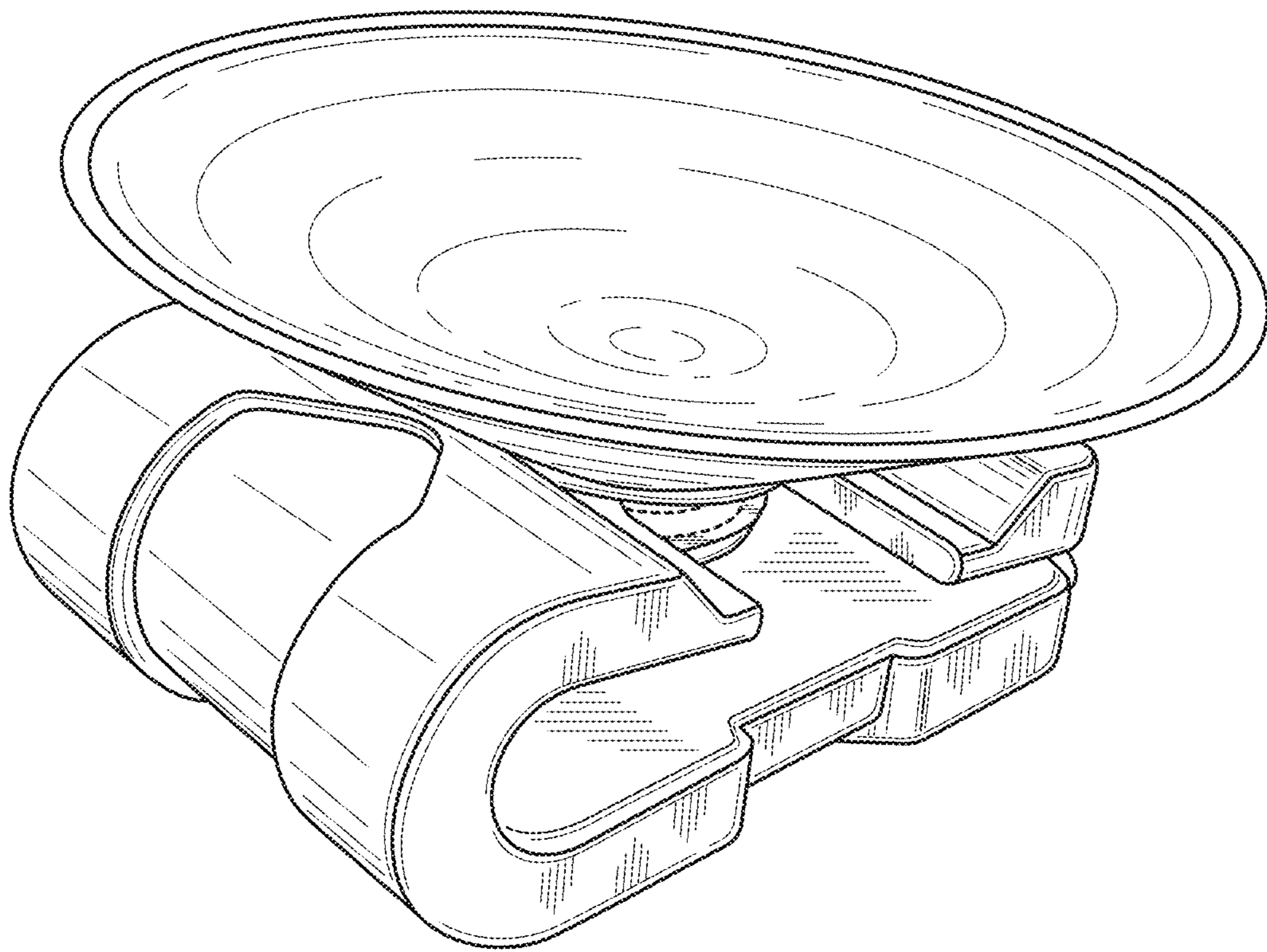


FIG. 1

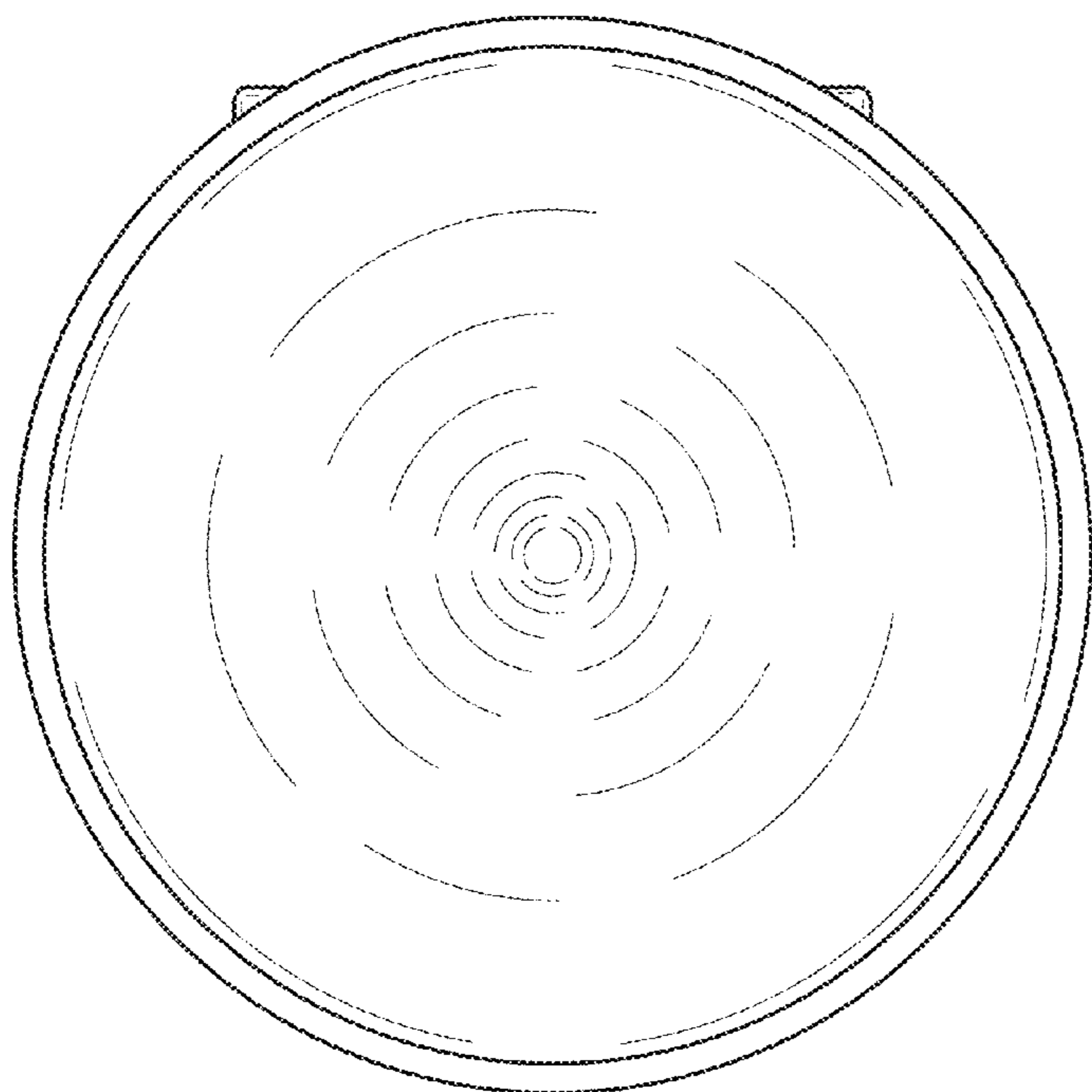


FIG. 2

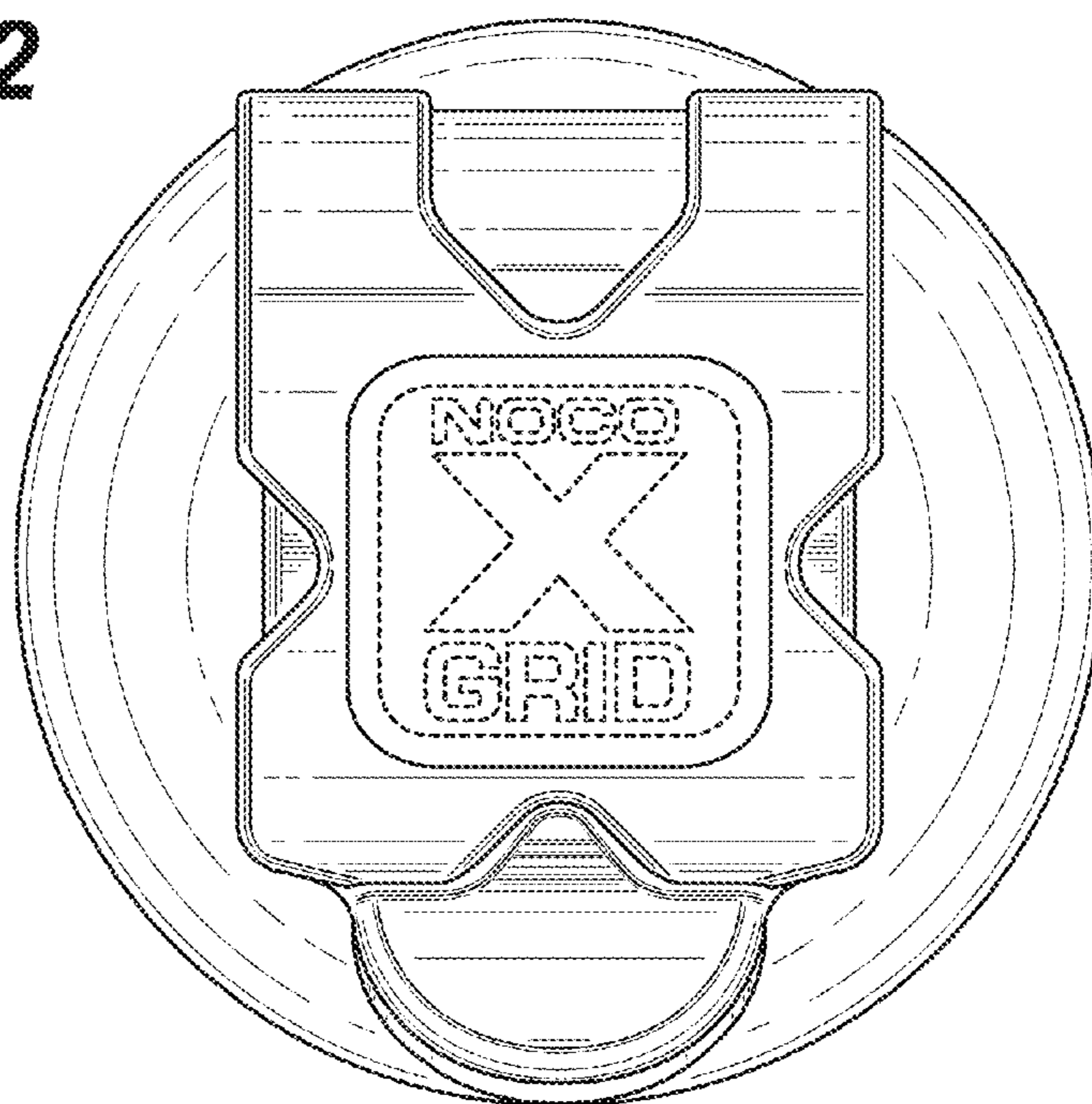


FIG. 3

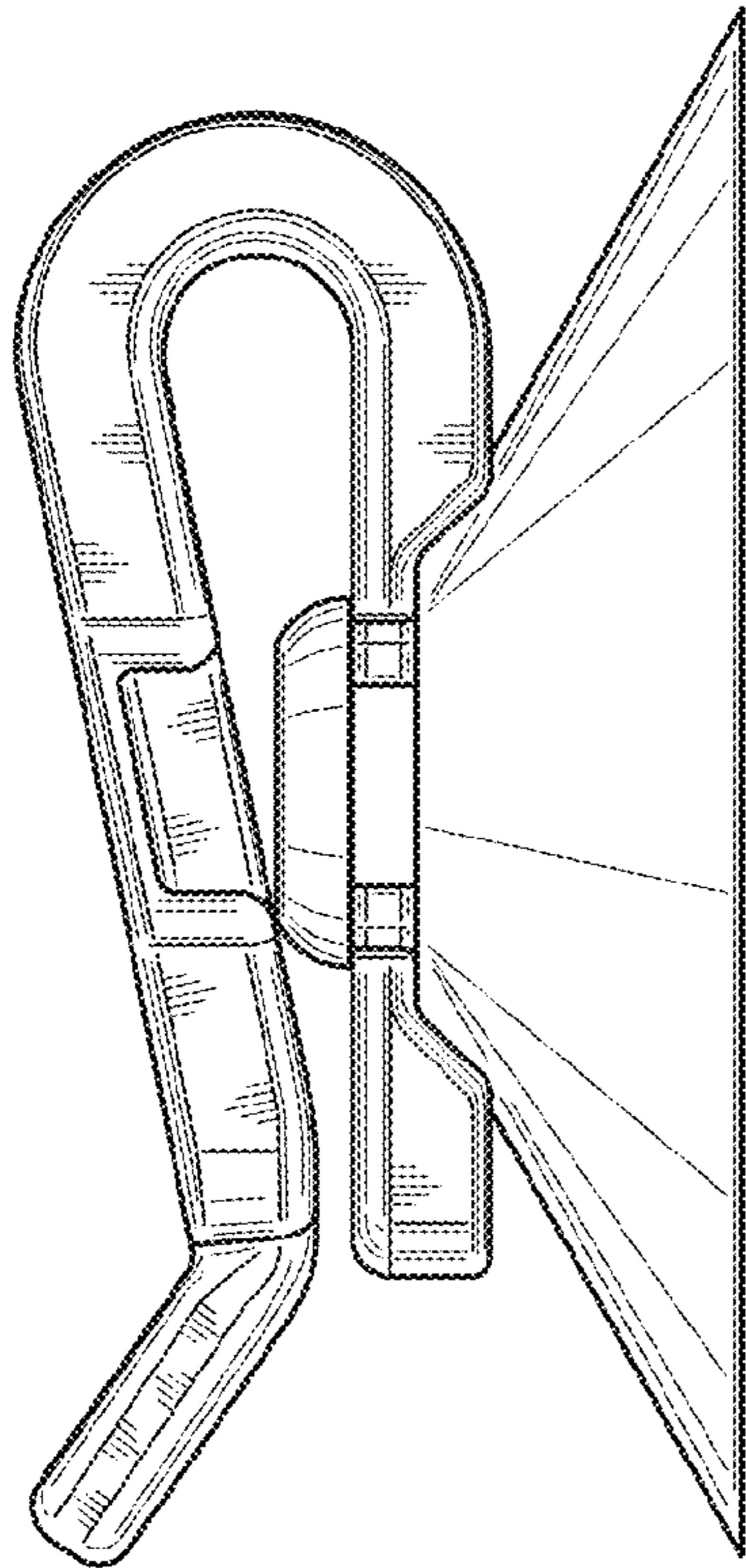


FIG. 4

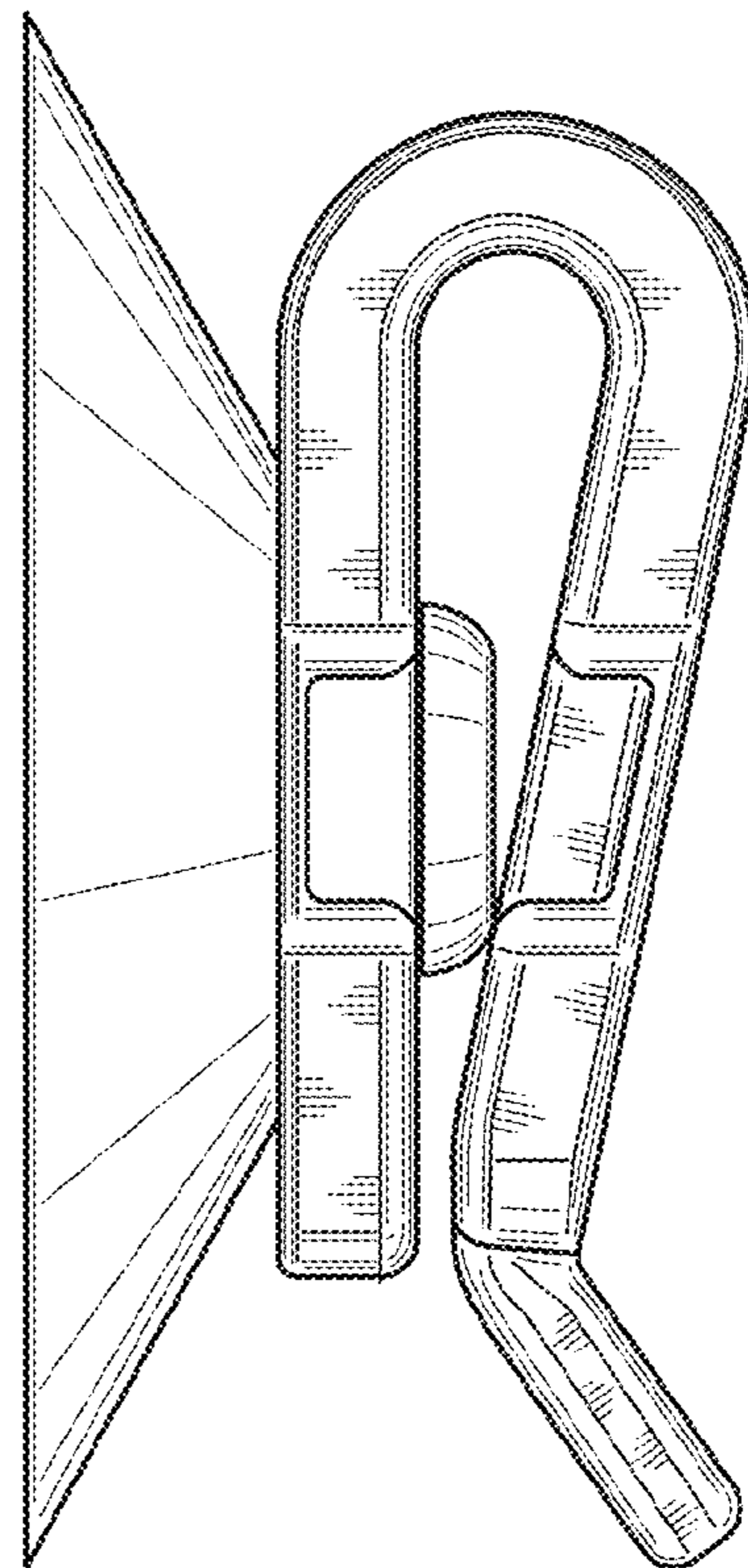


FIG. 5

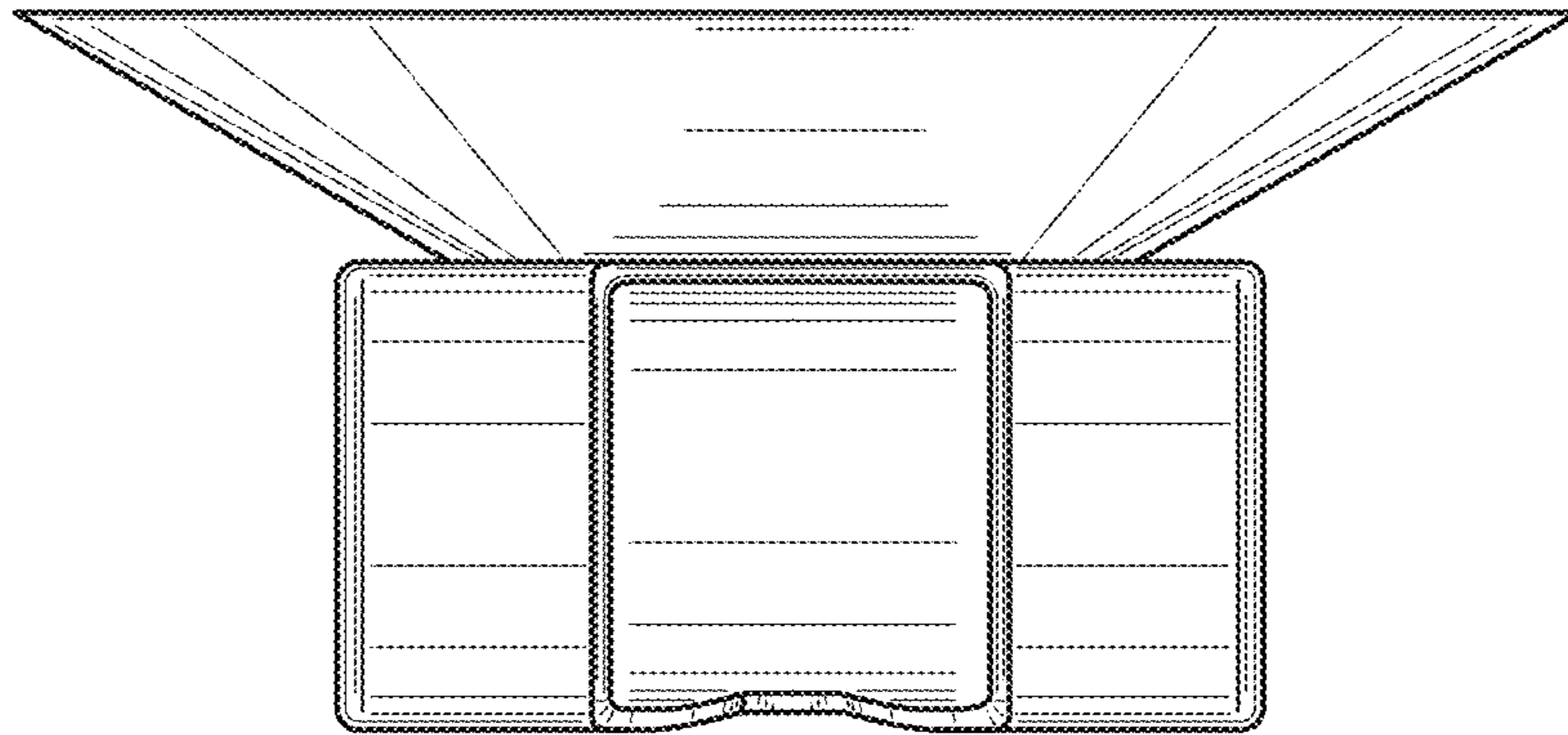


FIG. 6

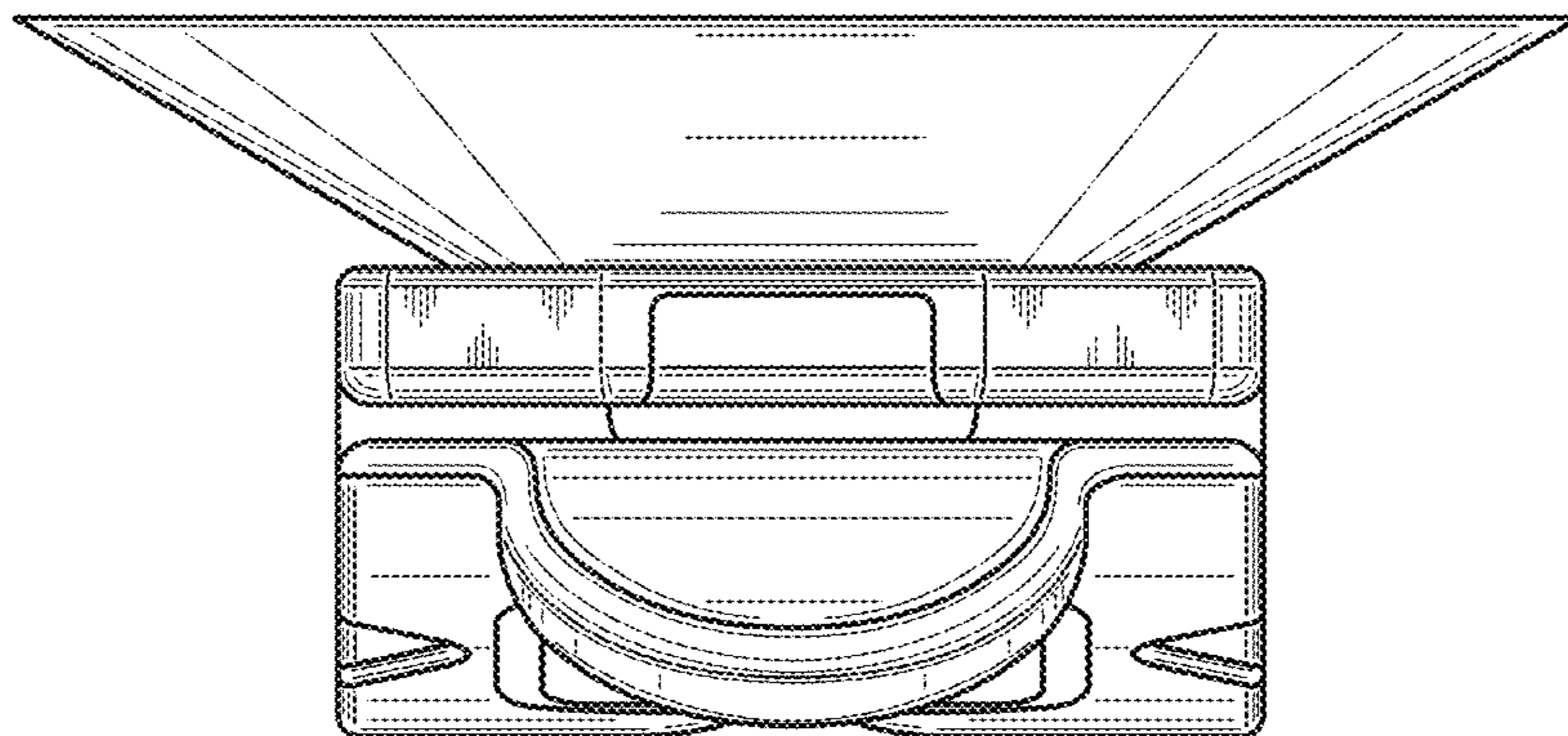


FIG. 7