



US00D744315S

(12) **United States Design Patent**
Hasegawa et al.

(10) **Patent No.:** **US D744,315 S**

(45) **Date of Patent:** **** Dec. 1, 2015**

(54) **DOOR CLOSER**

(71) Applicant: **SUGATSUNE KOGYO CO., LTD.**,
Chiyoda-ku, Tokyo (JP)

(72) Inventors: **Manabu Hasegawa**, Chiyoda-ku (JP);
Kazuaki Kashiwaguma, Chiyoda-ku
(JP)

(73) Assignee: **SUGATSUNE KOGYO CO., LTD.**,
Chiyoda-ku (JP)

(**) Term: **14 Years**

(21) Appl. No.: **29/504,689**

(22) Filed: **Oct. 8, 2014**

(30) **Foreign Application Priority Data**

Apr. 8, 2014 (JP) 2014-007707

(51) **LOC (10) Cl.** **08-07**

(52) **U.S. Cl.**
USPC **D8/330**

(58) **Field of Classification Search**
USPC D8/330, 331, 343; 292/144, 201, 92,
292/339, DIG. 12, DIG. 19; 16/49, 51, 62,
16/71-79, 7
CPC E05F 3/00; E05F 3/10; E05F 3/22
See application file for complete search history.

(56) **References Cited**

U.S. PATENT DOCUMENTS

5,072,973 A * 12/1991 Gudgel et al. 292/55
6,493,904 B1 * 12/2002 Chiang 16/56

(Continued)

FOREIGN PATENT DOCUMENTS

JP D1388756 S 5/2010

OTHER PUBLICATIONS

Notice of Reasons for Refusal, JP Patent Application No. 2014-007707, Issue Date Sep. 5, 2014, Issued by JPO.

Primary Examiner — Prabhakar Deshmukh

(74) *Attorney, Agent, or Firm* — Masuvalley & Partners

(57) **CLAIM**

The ornamental design for a door closer, as shown and described.

DESCRIPTION

FIG. 1 is a front, top, right perspective view of a door closer showing our new design;

FIG. 2 is a rear, bottom, left perspective view thereof;

FIG. 3 is a perspective view, similar to FIG. 1, shown in an alternate position with the engagement piece moved in its alternate position;

FIG. 4 is a perspective view, similar to FIG. 2, shown in alternate position with the engagement piece moved in its alternate position;

FIG. 5 is a front elevational view thereof;

FIG. 6 is a rear elevational view thereof;

FIG. 7 is a top plan view thereof;

FIG. 8 is a bottom plan view thereof;

FIG. 9 is a right side elevational view thereof, the left side elevational view being a mirror image thereof;

FIG. 10 is a sectional view thereof, taken along line 10-10 of FIG. 5;

FIG. 11 is a sectional view thereof, taken along line 11-11 of FIG. 5;

FIG. 12 is a sectional view thereof, taken along line 12-12 of FIG. 5;

FIG. 13 is a sectional view thereof, taken along line 13-13 of FIG. 6;

FIG. 14 is a sectional view thereof, taken along line 14-14 of FIG. 5;

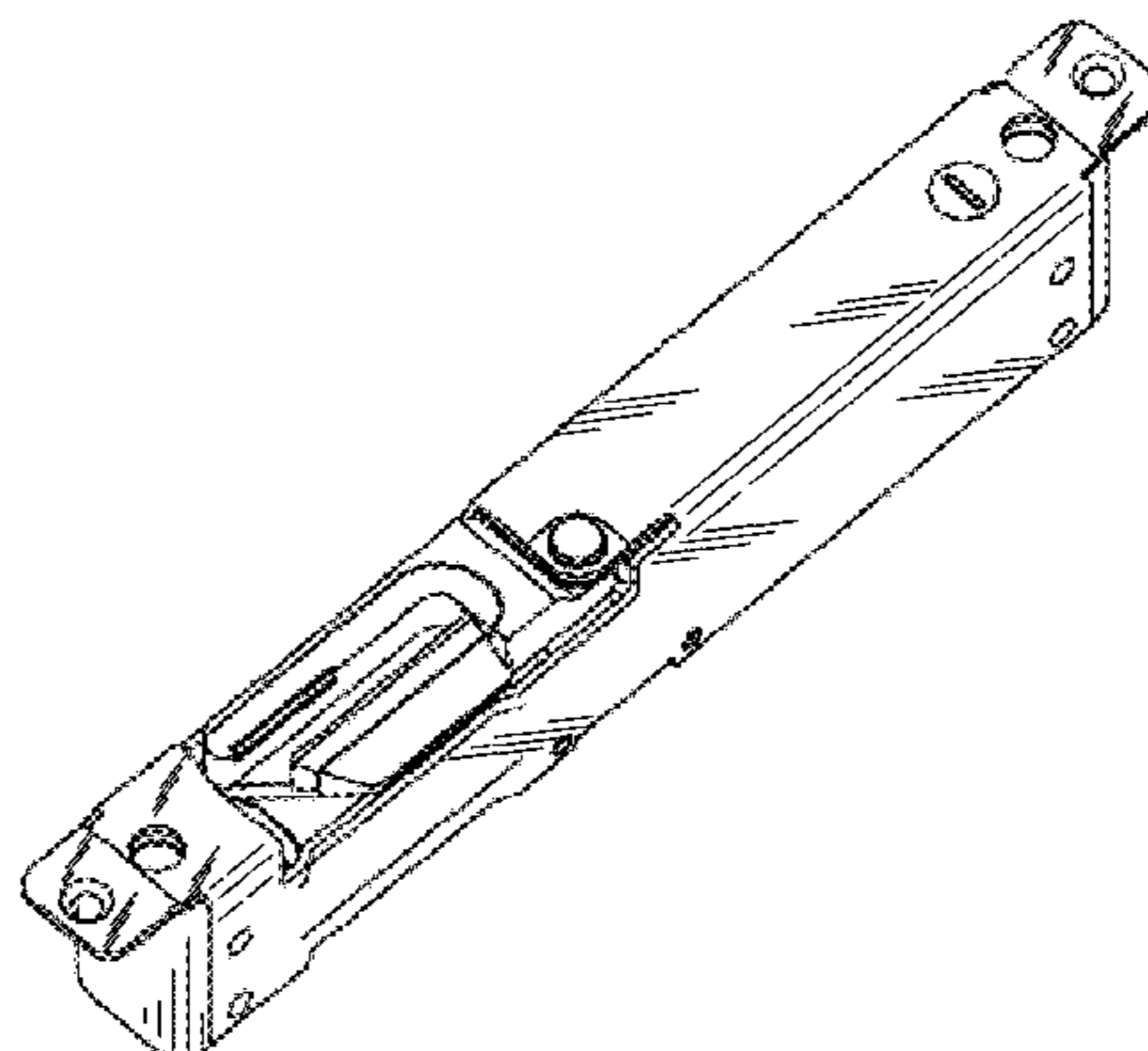
FIG. 15 is a top plan view of FIG. 3;

FIG. 16 is a perspective view thereof, shown the door closer in its environmental use; and,

FIG. 17 is another perspective view of FIG. 16.

The broken lines environment is for illustrative purpose only and forms no part of the claimed design.

1 Claim, 17 Drawing Sheets



(56)

References Cited

U.S. PATENT DOCUMENTS

D491,787 S * 6/2004 Homberg D8/330
7,571,515 B2 * 8/2009 Fischbach et al. 16/79
D635,435 S * 4/2011 Yamaguchi D8/330
D638,686 S * 5/2011 Gordon D8/339

D639,136 S * 6/2011 Yamaguchi et al. D8/330
8,181,311 B2 * 5/2012 Chiang et al. 16/78
D673,026 S * 12/2012 Kubota D8/343
D674,267 S * 1/2013 Kubota D8/343
8,402,606 B1 * 3/2013 Tsai 16/49
8,793,838 B2 * 8/2014 McKibben et al. 16/72

* cited by examiner

FIG. 1

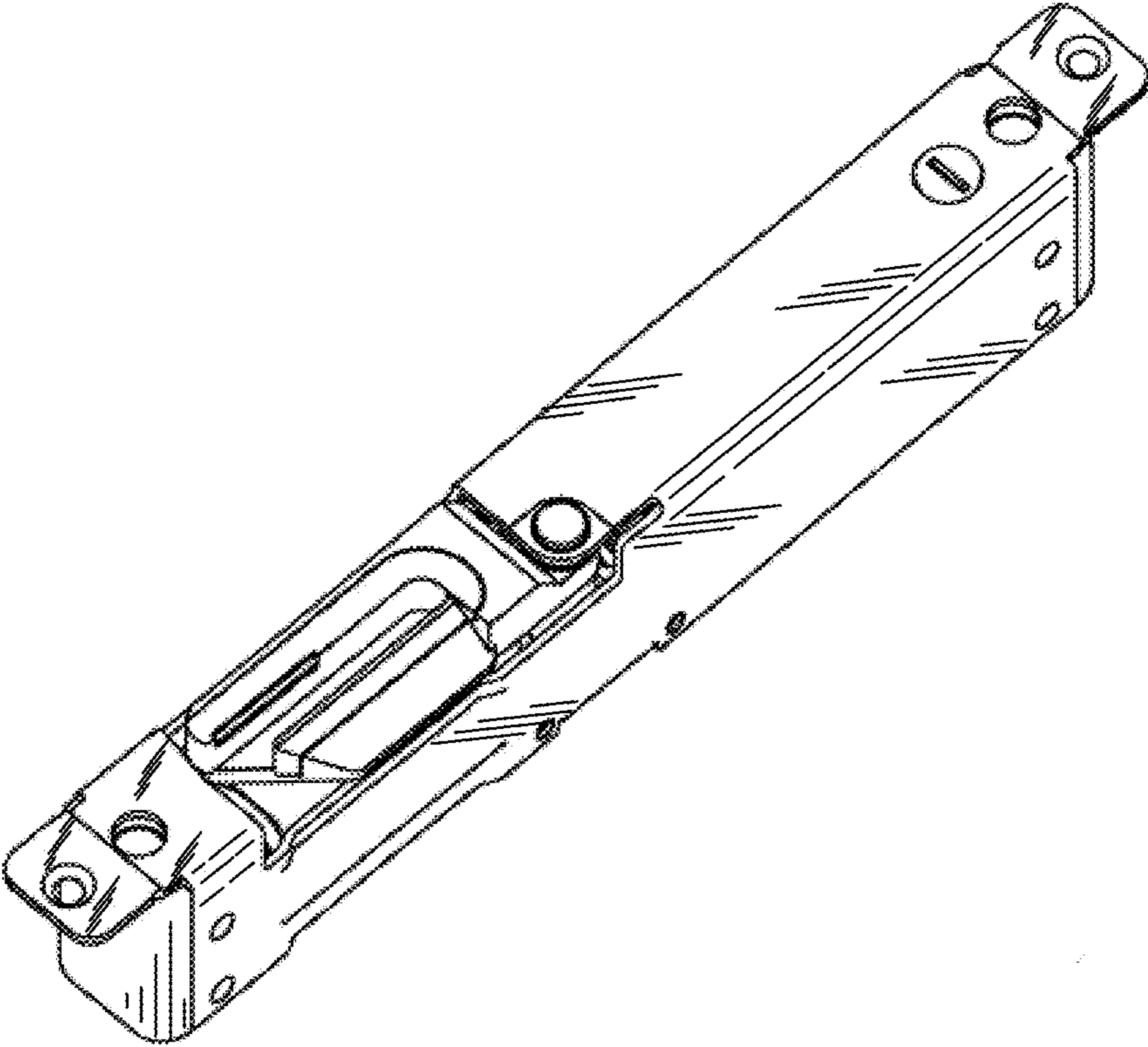


FIG. 2

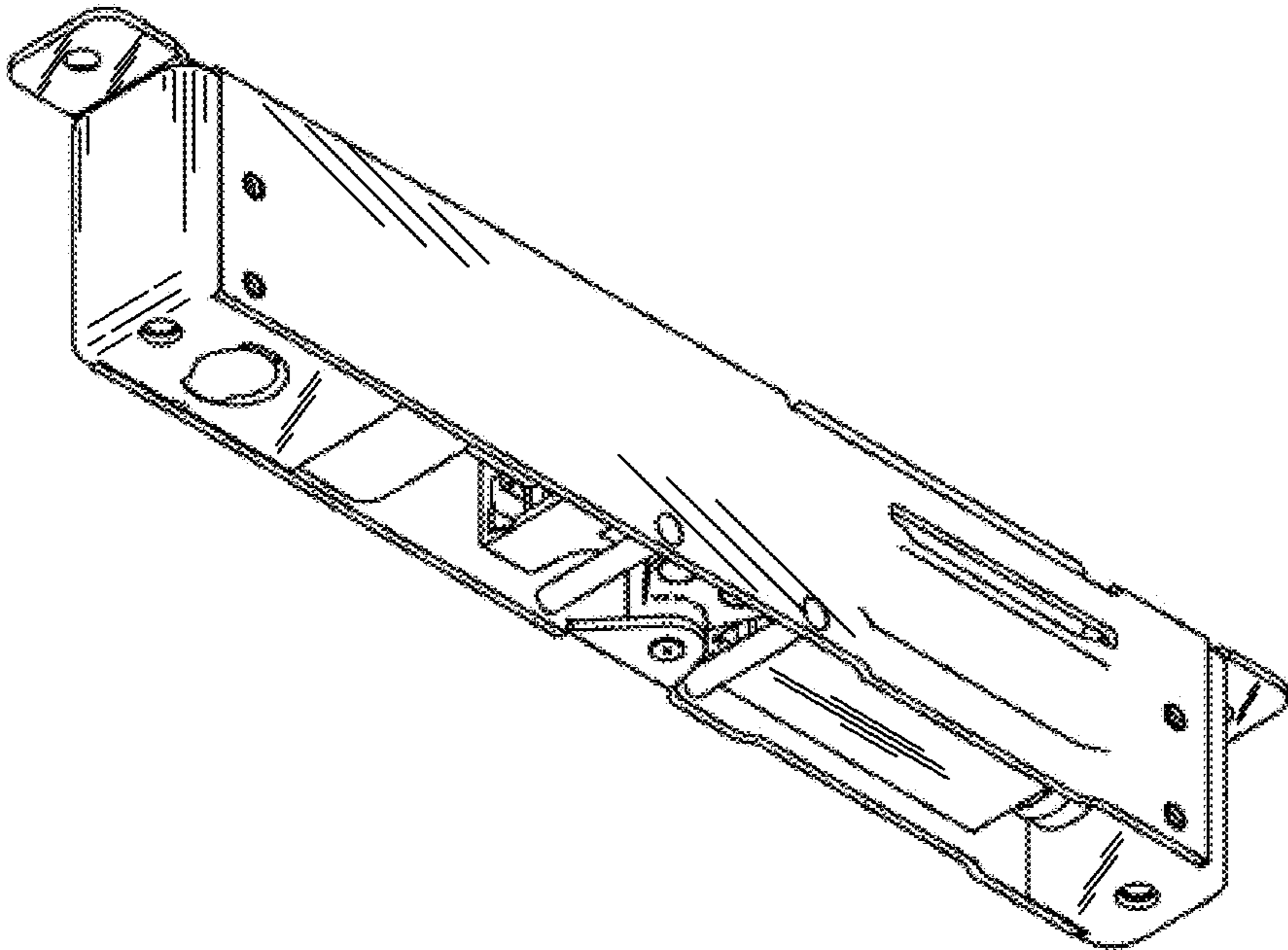


FIG. 3

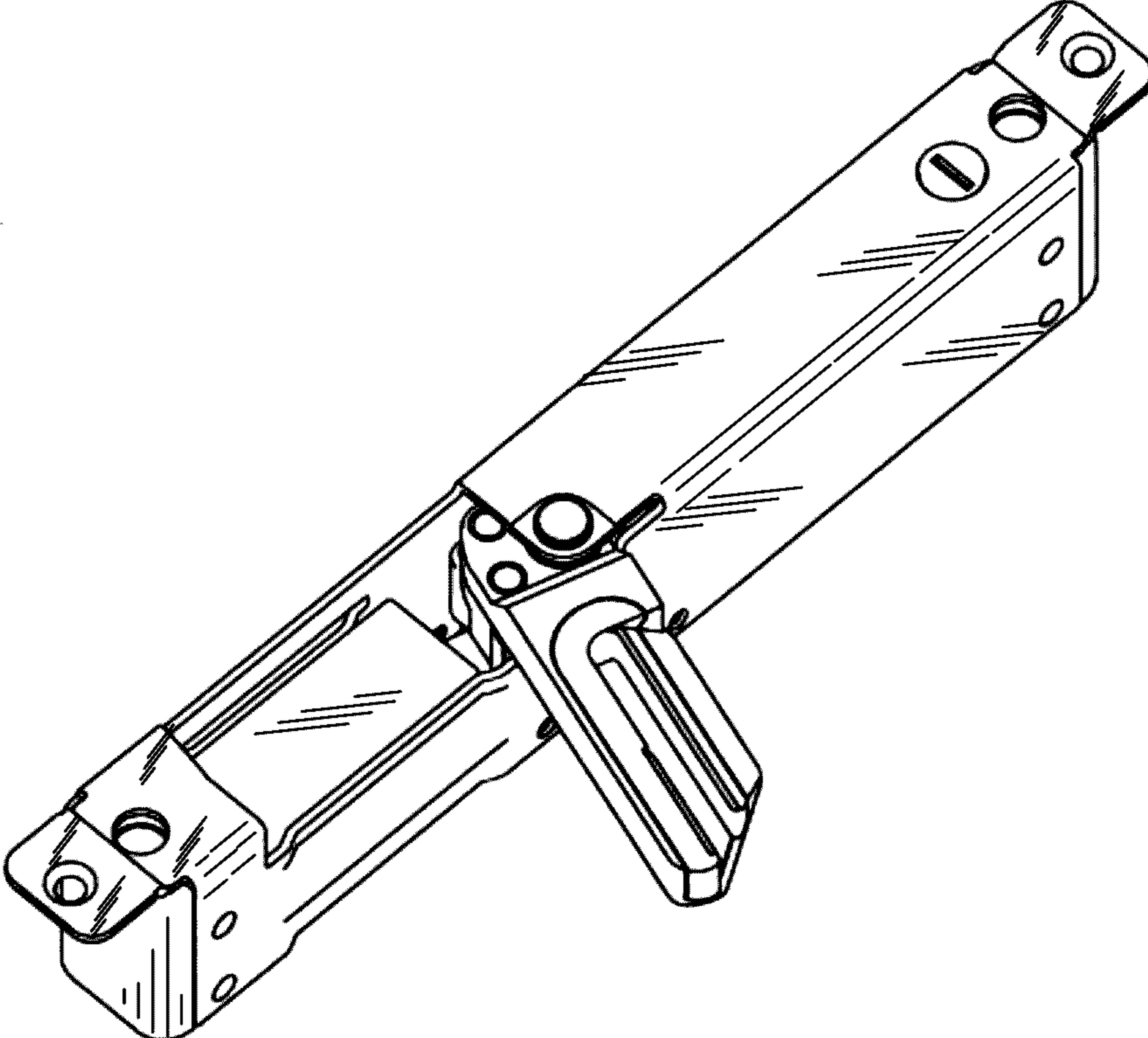


FIG. 4

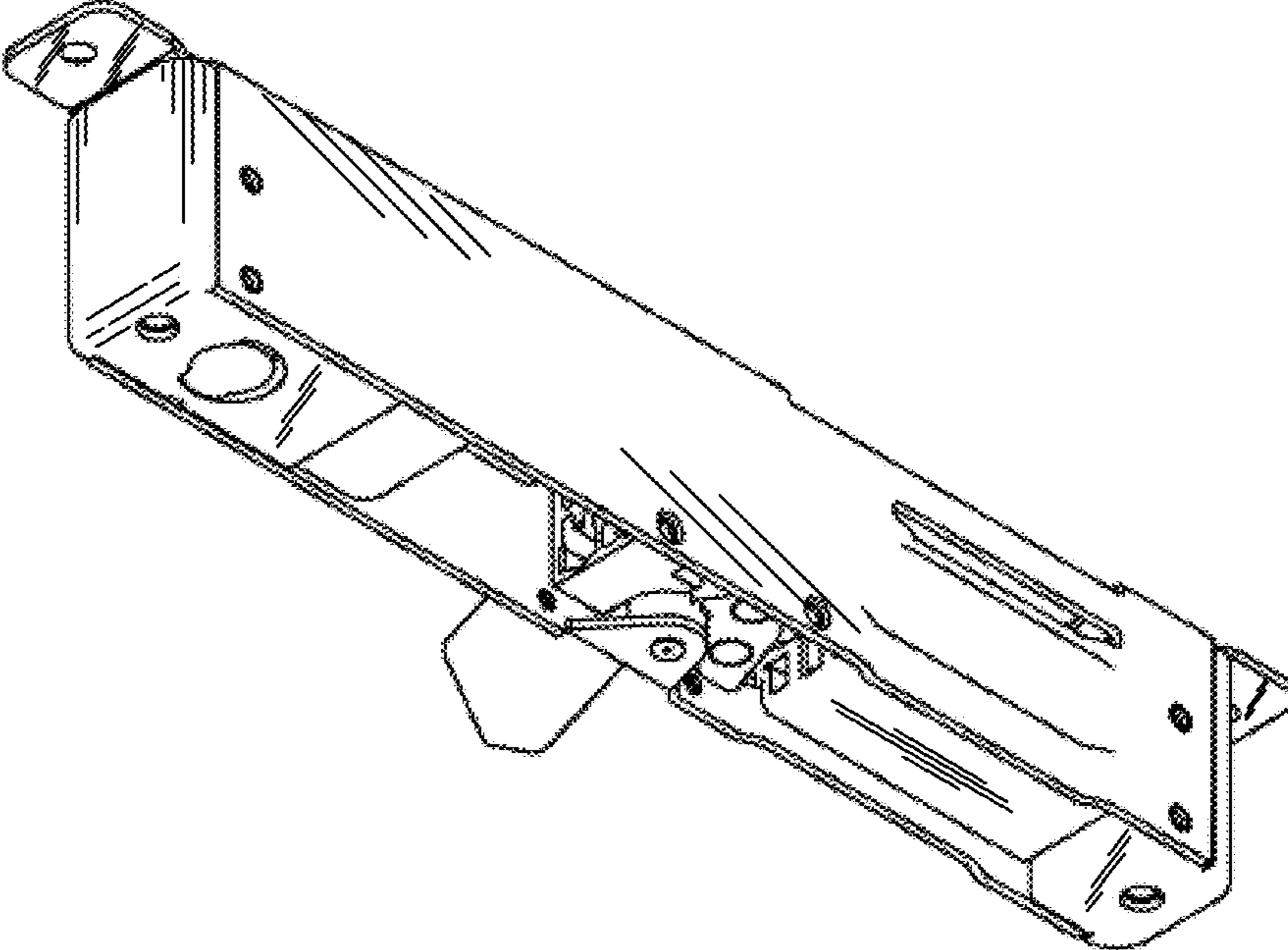


FIG. 5

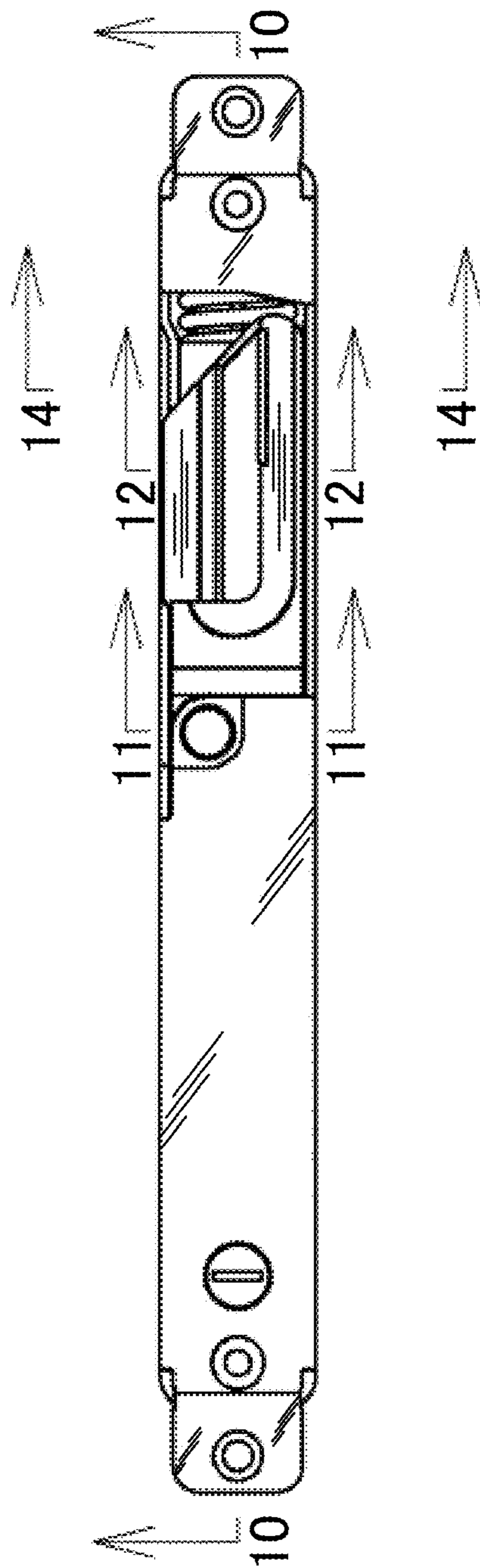


FIG. 6

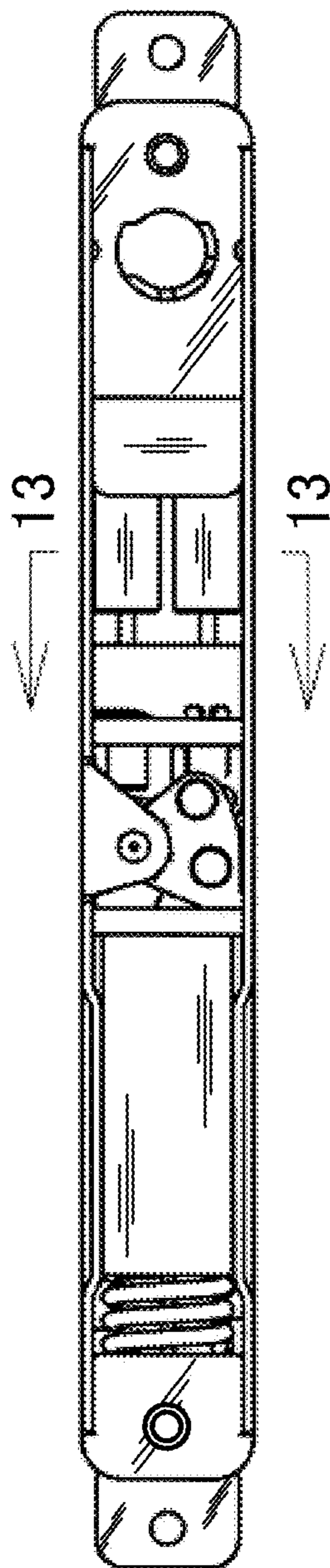


FIG. 7

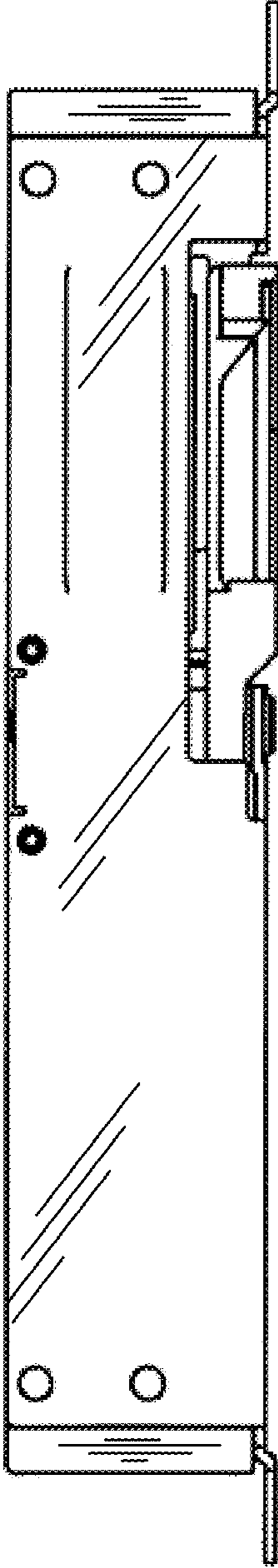


FIG. 8

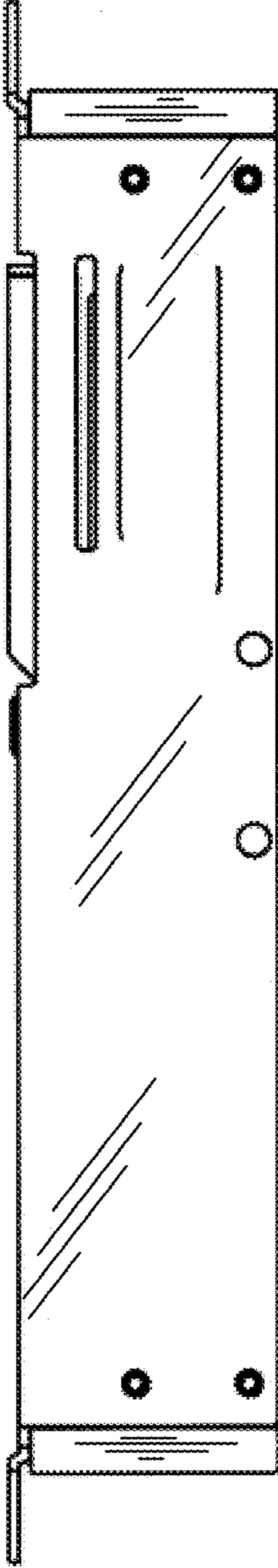


FIG. 9

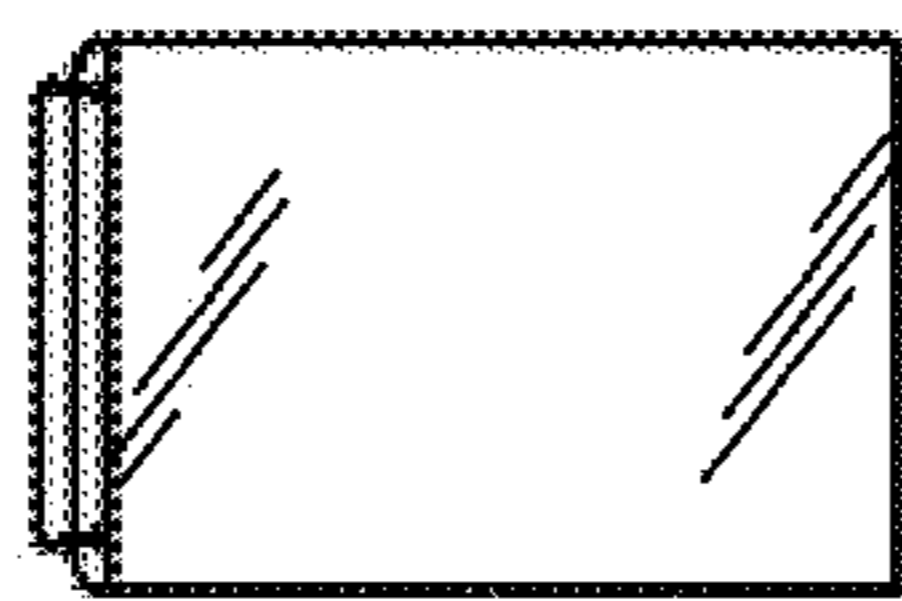


FIG. 10

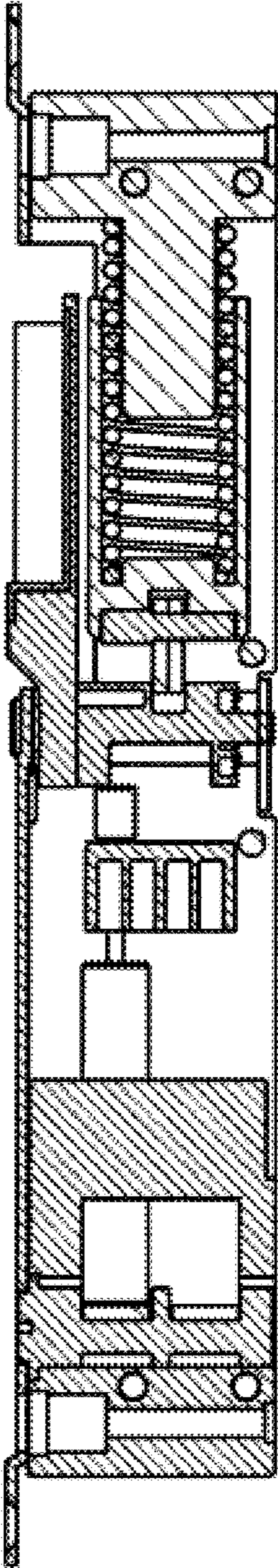


FIG. 11

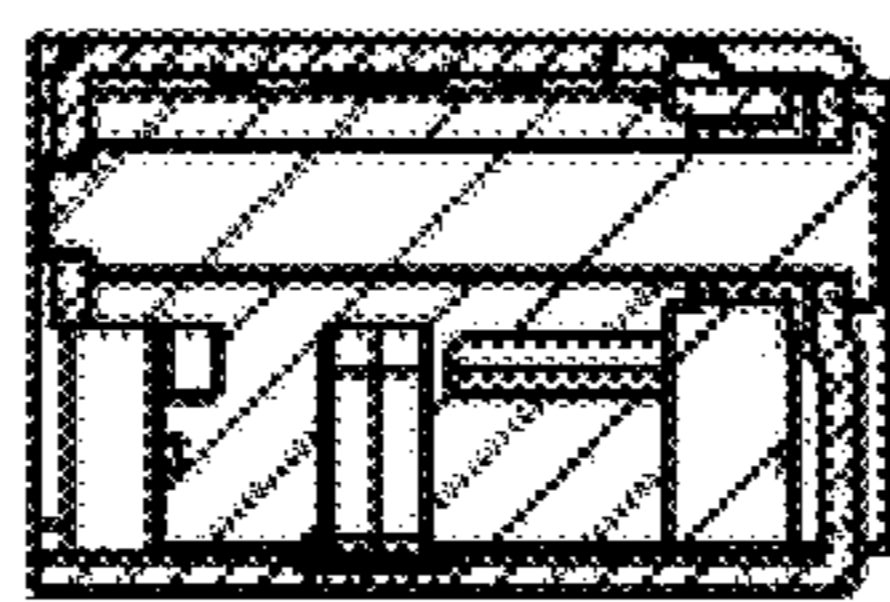


FIG. 12

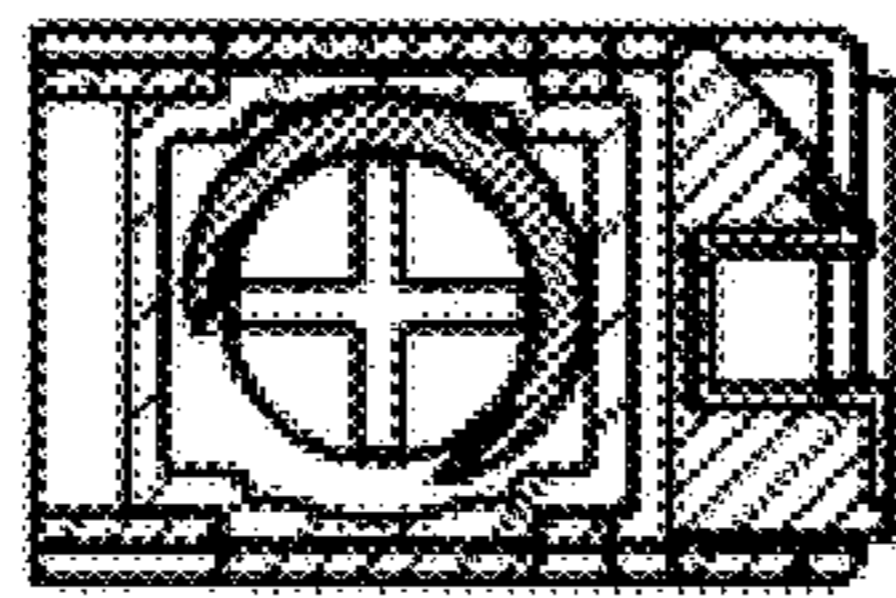


FIG. 13

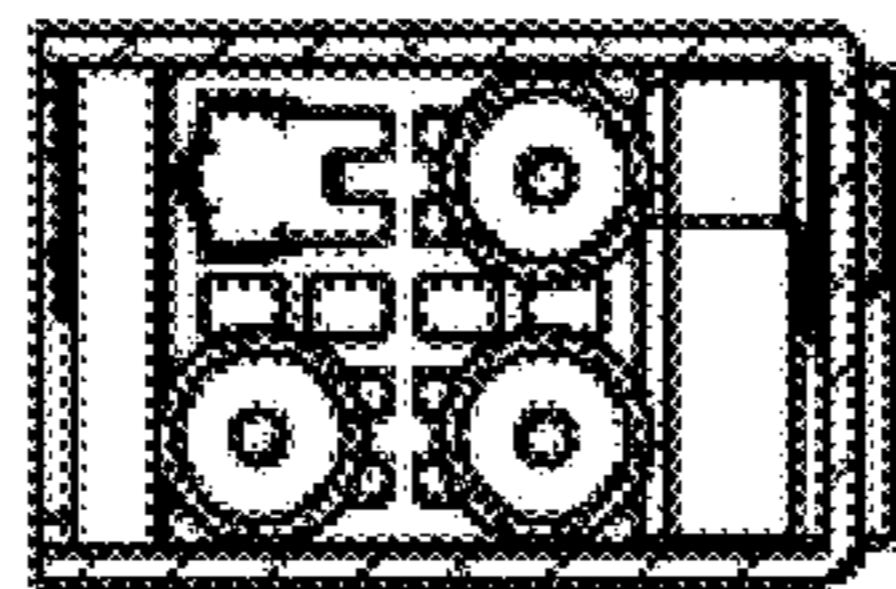


FIG. 14

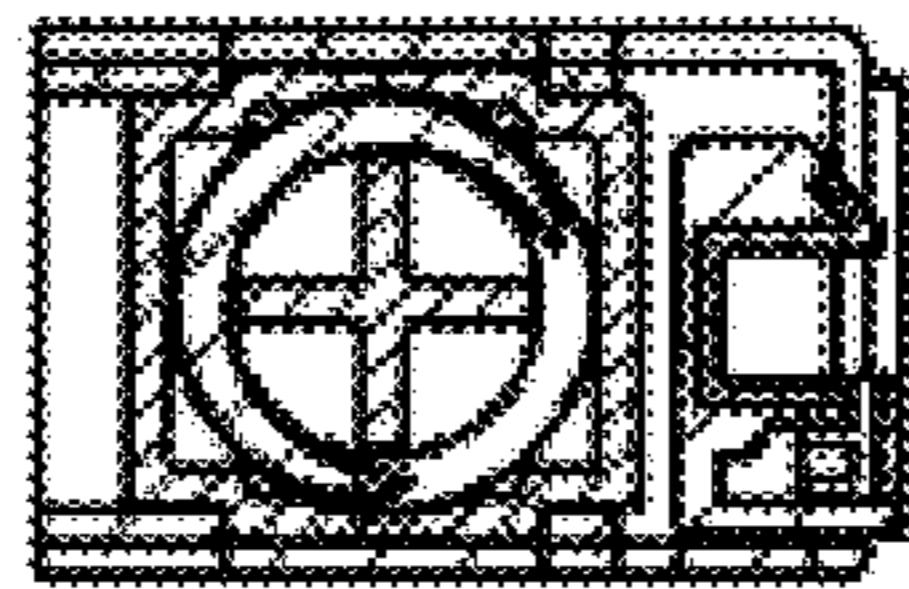


FIG. 15

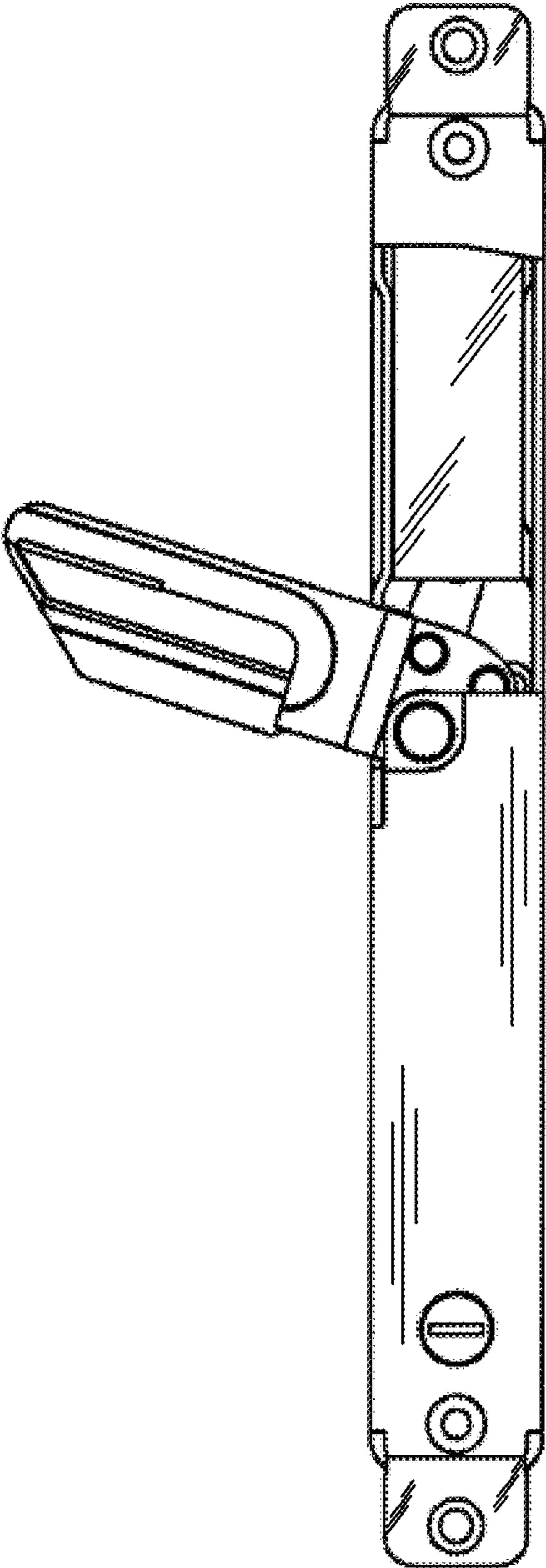


FIG. 16

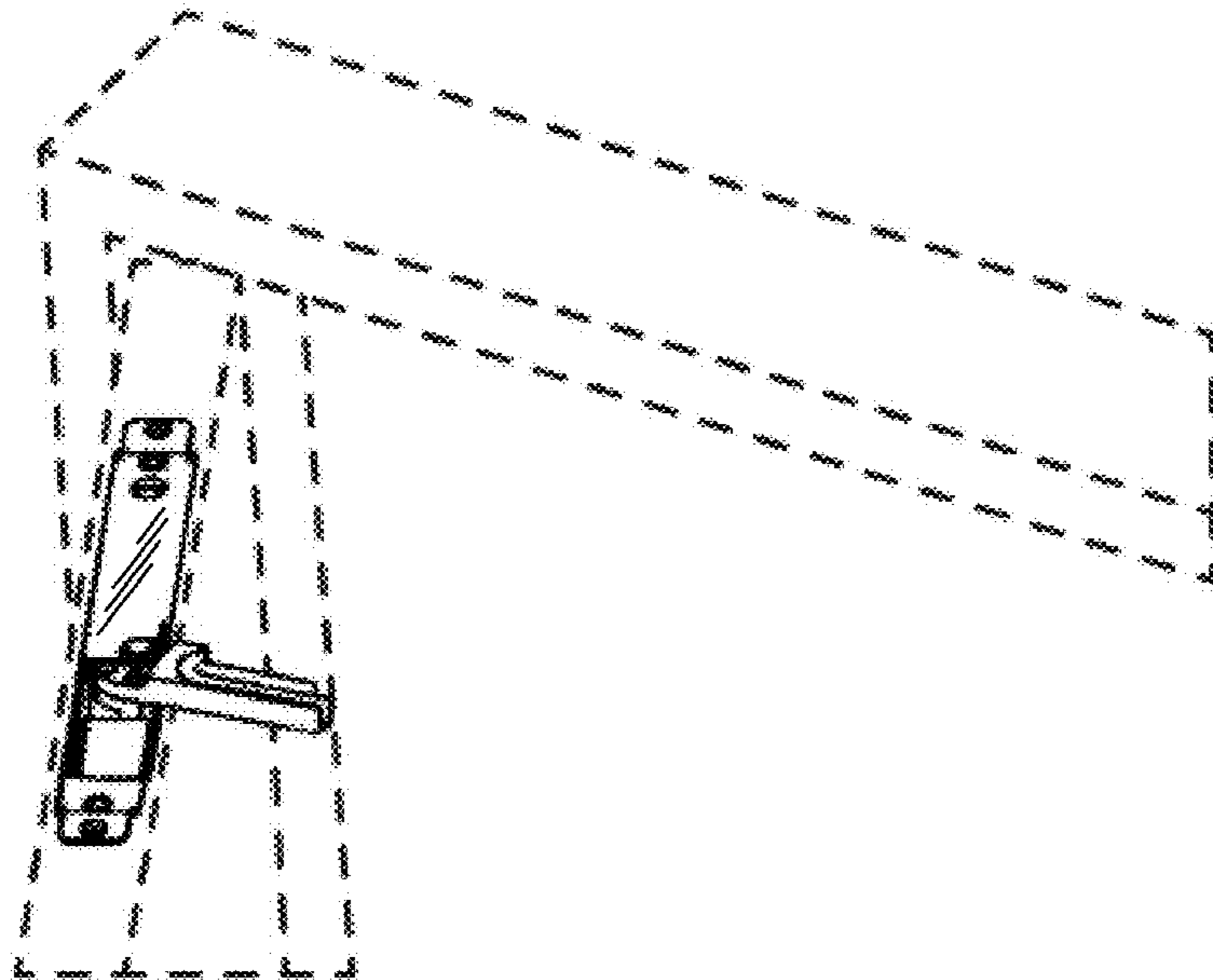


FIG. 17

