



US00D744313S

(12) **United States Design Patent**
Lu

(10) **Patent No.:** **US D744,313 S**
(45) **Date of Patent:** **** Dec. 1, 2015**

(54) **HINGE**

(71) Applicant: **Dongguan Weihong Hardware and Plastic Products Co., Ltd.**, Dongguan (CN)

(72) Inventor: **Wei Lu**, Dongguan (CN)

(73) Assignee: **DONGGUAN WEIHONG HARDWARE AND PLASTIC PRODUCTS CO., LTD.**, Dongguan (CN)

(**) Term: **14 Years**

(21) Appl. No.: **29/507,189**

(22) Filed: **Oct. 24, 2014**

Related U.S. Application Data

(62) Division of application No. 29/483,547, filed on Feb. 28, 2014, now Pat. No. Des. 719,810.

(30) **Foreign Application Priority Data**

Dec. 31, 2013 (CN) 2013 3 0657093

(51) **LOC (10) Cl.** **08-06**

(52) **U.S. Cl.**
USPC **D8/323**

(58) **Field of Classification Search**
USPC D8/323, 328; 16/250, 338, 227
CPC E05D 5/12; E05D 11/082; E05D 1/02; B64G 1/222

See application file for complete search history.

(56) **References Cited**

U.S. PATENT DOCUMENTS

| | | | | | | |
|-----------|----|---|---------|----------------|-------|---------|
| D140,298 | S | * | 2/1945 | Wilson | | D8/323 |
| 3,278,981 | A | * | 10/1966 | Glenn et al. | | 16/275 |
| 3,349,427 | A | * | 10/1967 | Cairns et al. | | 16/273 |
| D222,234 | S | * | 10/1971 | Imber et al. | | D8/355 |
| D297,912 | S | * | 10/1988 | Richards | | D8/323 |
| D335,622 | S | * | 5/1993 | Millsap | | D8/323 |
| D392,175 | S | * | 3/1998 | Beck | | D8/323 |
| D407,624 | S | * | 4/1999 | Ehrig | | D8/323 |
| 6,134,751 | A | * | 10/2000 | Carrier et al. | | 16/242 |
| D433,918 | S | * | 11/2000 | Bradley et al. | | D8/323 |
| 6,269,520 | B1 | * | 8/2001 | Kovalchek | | 16/221 |
| D458,626 | S | * | 6/2002 | Desbierz-Piat | | D16/334 |
| D500,660 | S | * | 1/2005 | Larner et al. | | D8/323 |
| 7,100,245 | B2 | * | 9/2006 | Wohlfarth | | 16/367 |
| 7,240,400 | B2 | * | 7/2007 | Bonham | | 16/238 |
| D611,801 | S | * | 3/2010 | Chustak | | D8/355 |
| D633,773 | S | * | 3/2011 | Yamanaka | | D8/323 |
| 8,225,460 | B2 | * | 7/2012 | Hooton et al. | | 16/367 |
| D683,609 | S | * | 6/2013 | Frank et al. | | D8/323 |

* cited by examiner

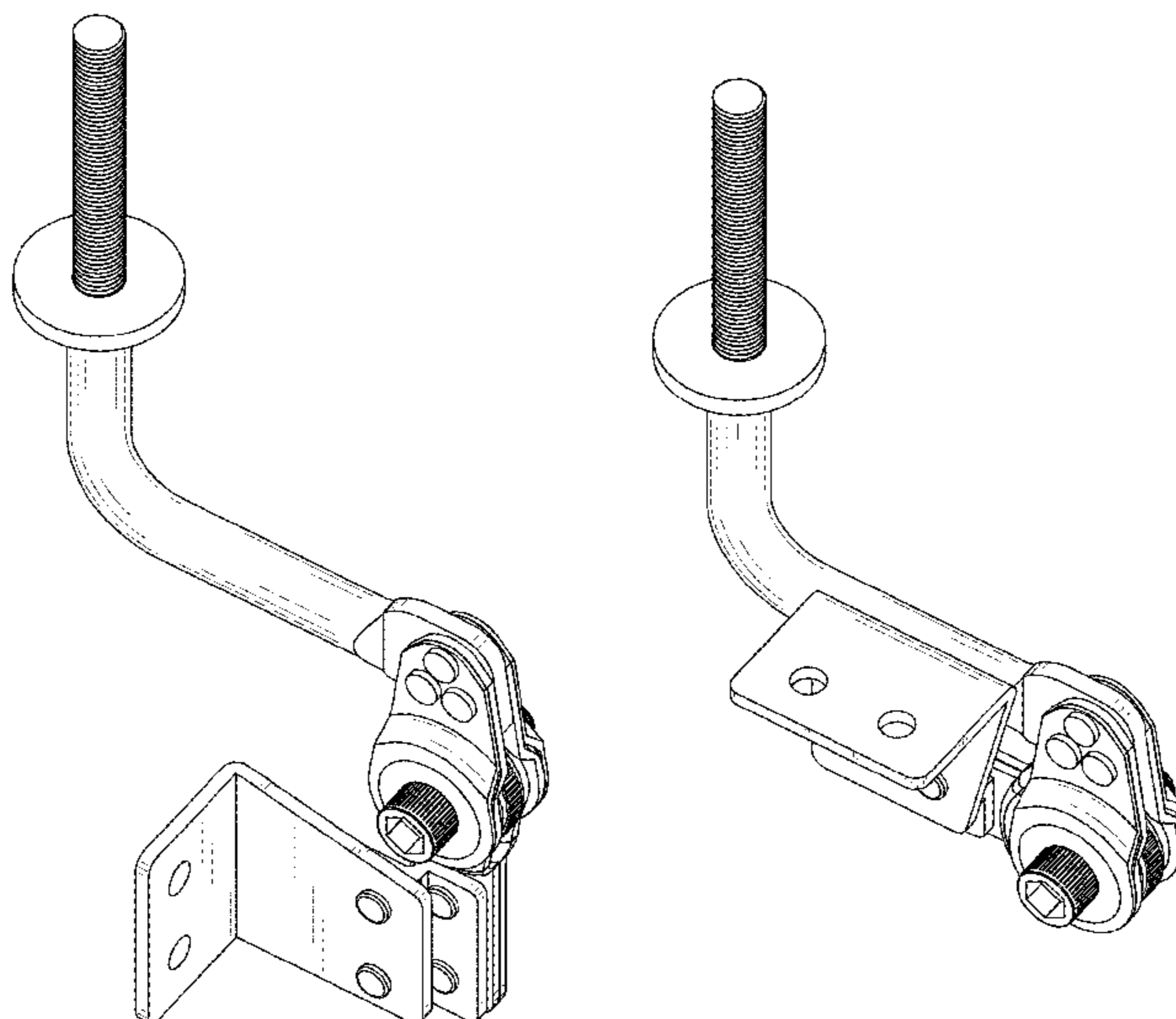
Primary Examiner — Cynthia Underwood
(74) *Attorney, Agent, or Firm* — Shimokaji, IP

(57) **CLAIM**
The ornamental design for a hinge, as shown and described.

DESCRIPTION

FIG. 1 is a front elevational view of a hinge showing my new design;
FIG. 2 is a rear elevational view of FIG. 1;
FIG. 3 is a left side elevational view of FIG. 1;
FIG. 4 is a right side elevational view of FIG. 1;
FIG. 5 is a top plan view of FIG. 1;
FIG. 6 is a bottom plan view of FIG. 1;
FIG. 7 is a perspective view of FIG. 1; and,
FIG. 8 is a perspective view of FIG. 7 shown in a folded configuration.

1 Claim, 7 Drawing Sheets



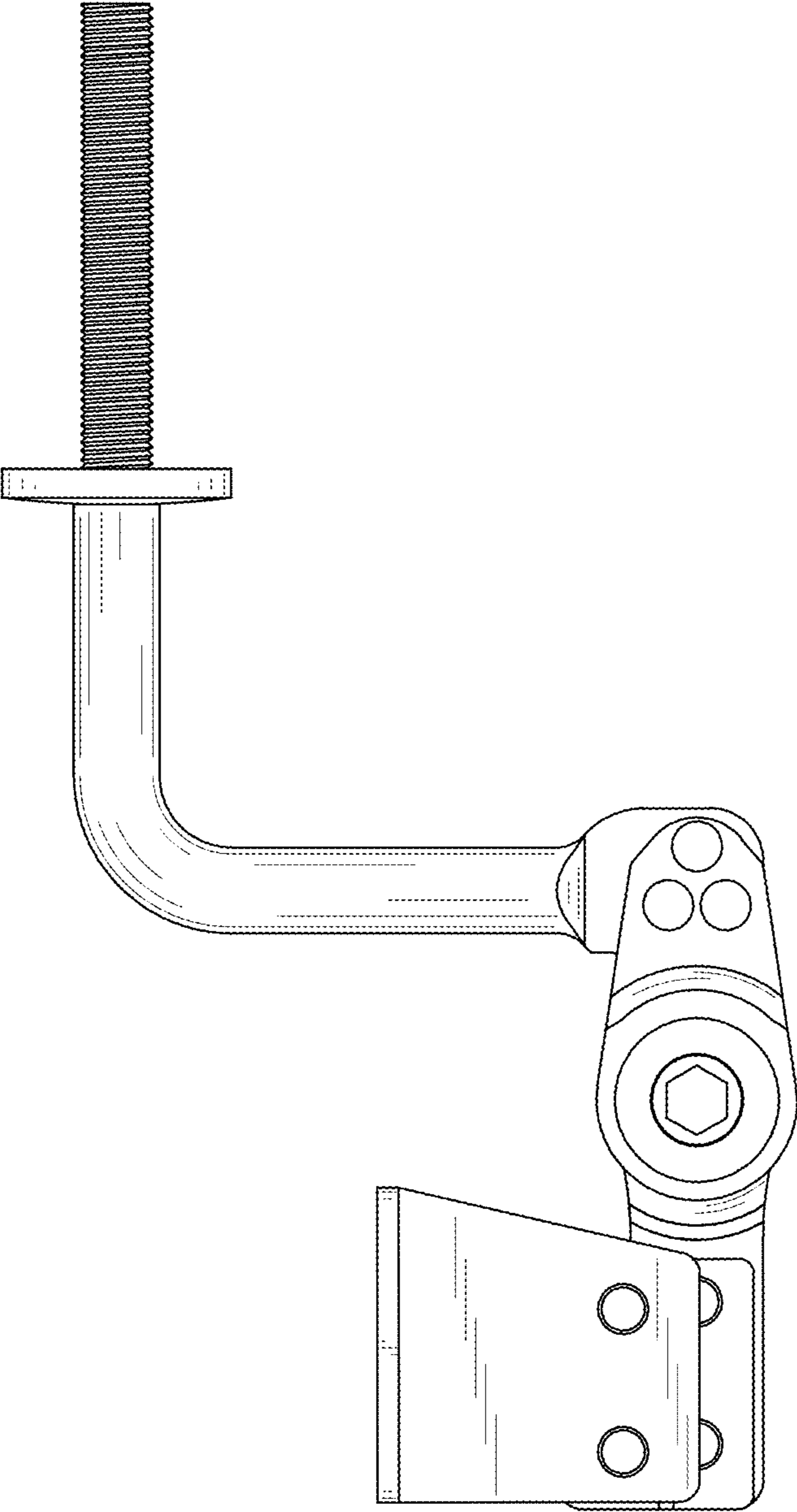


FIG.1

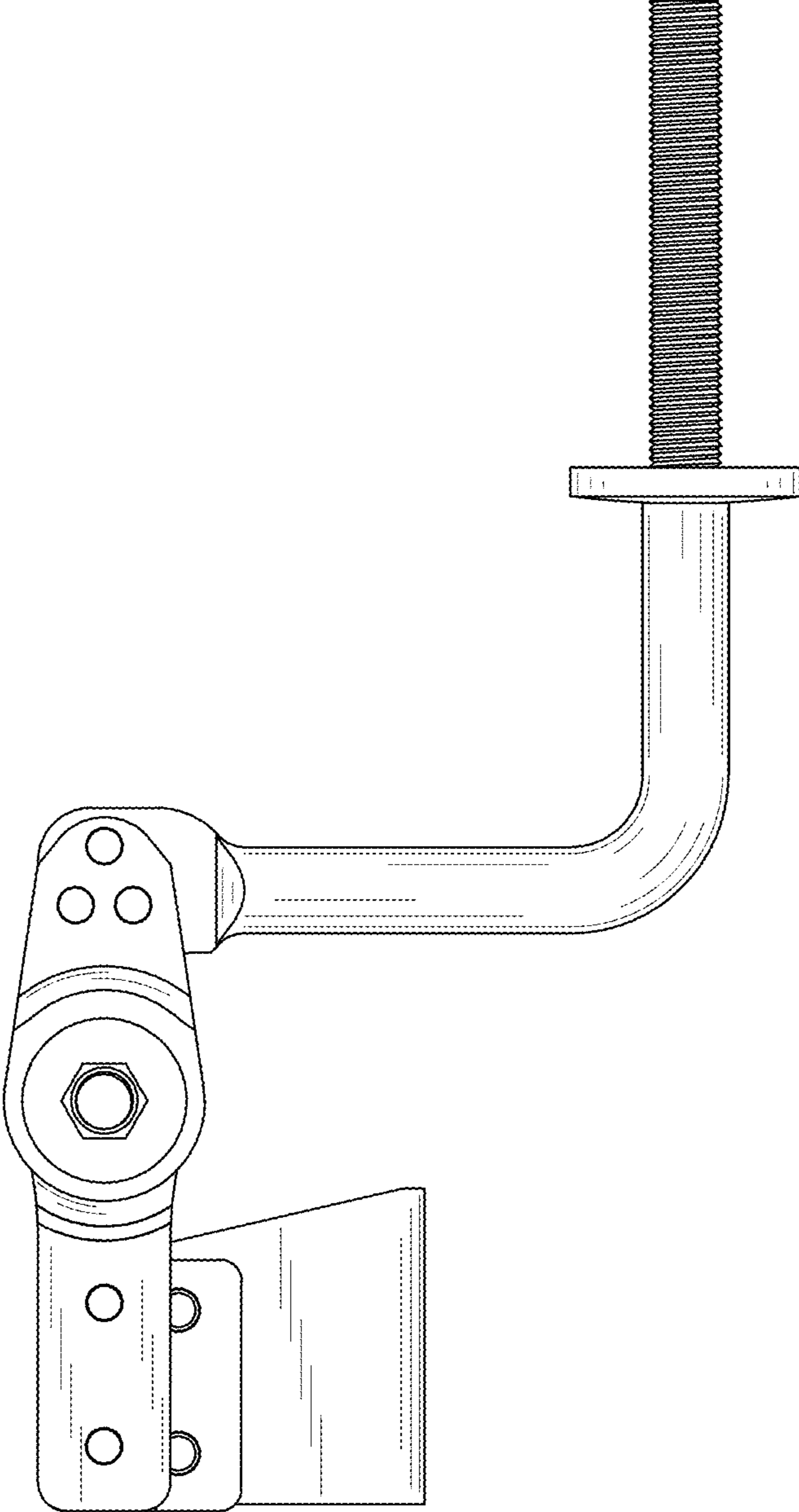


FIG.2

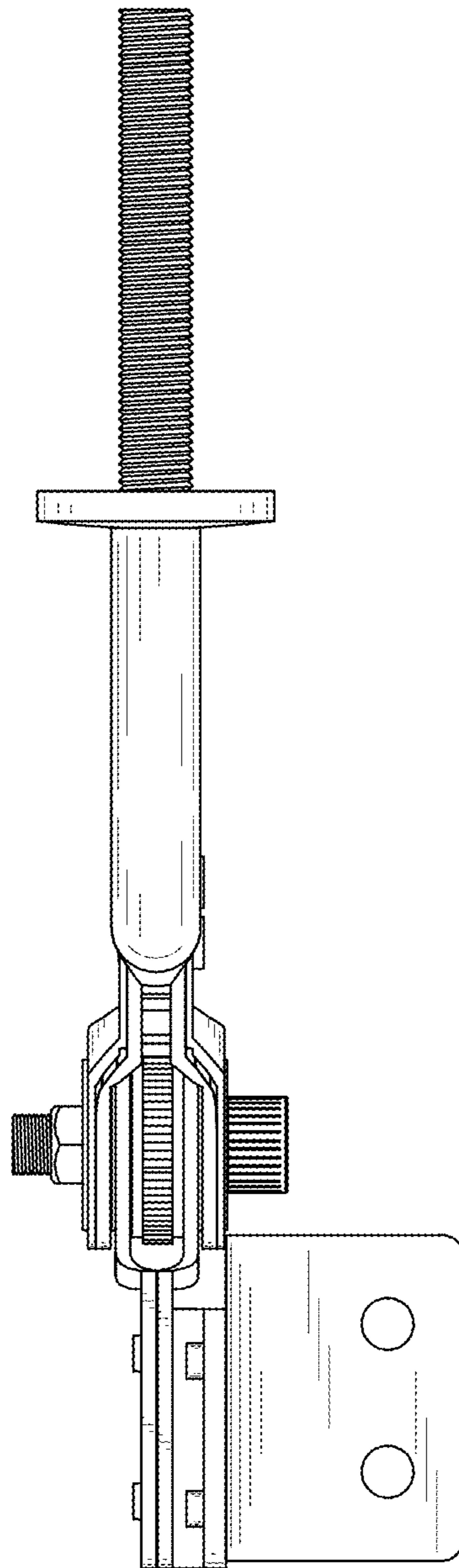


FIG.3

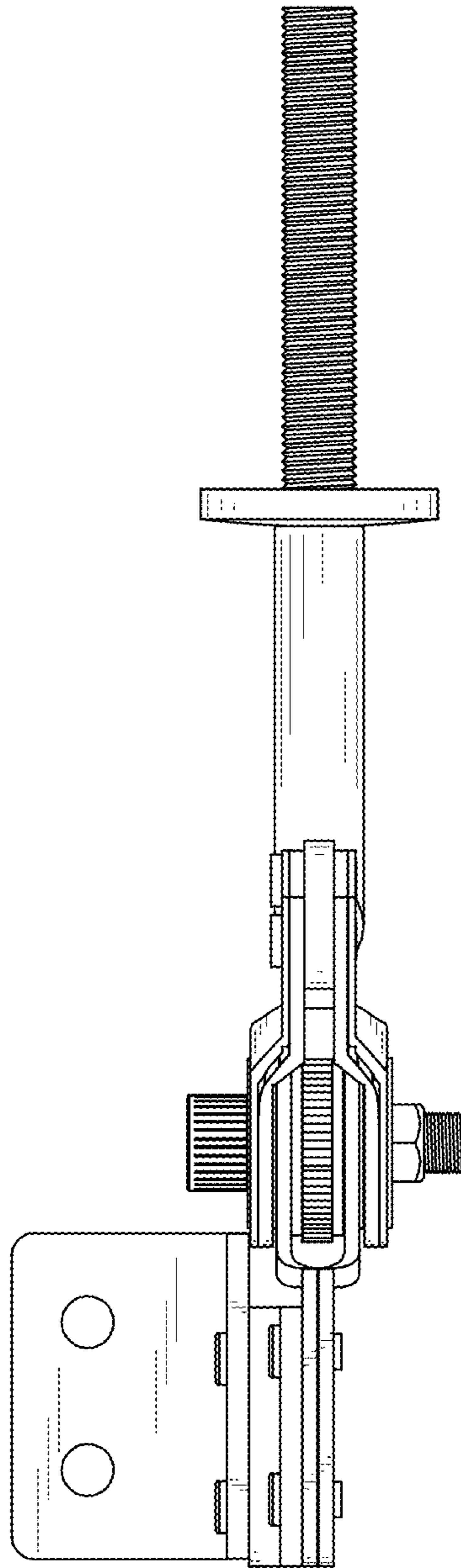


FIG.4

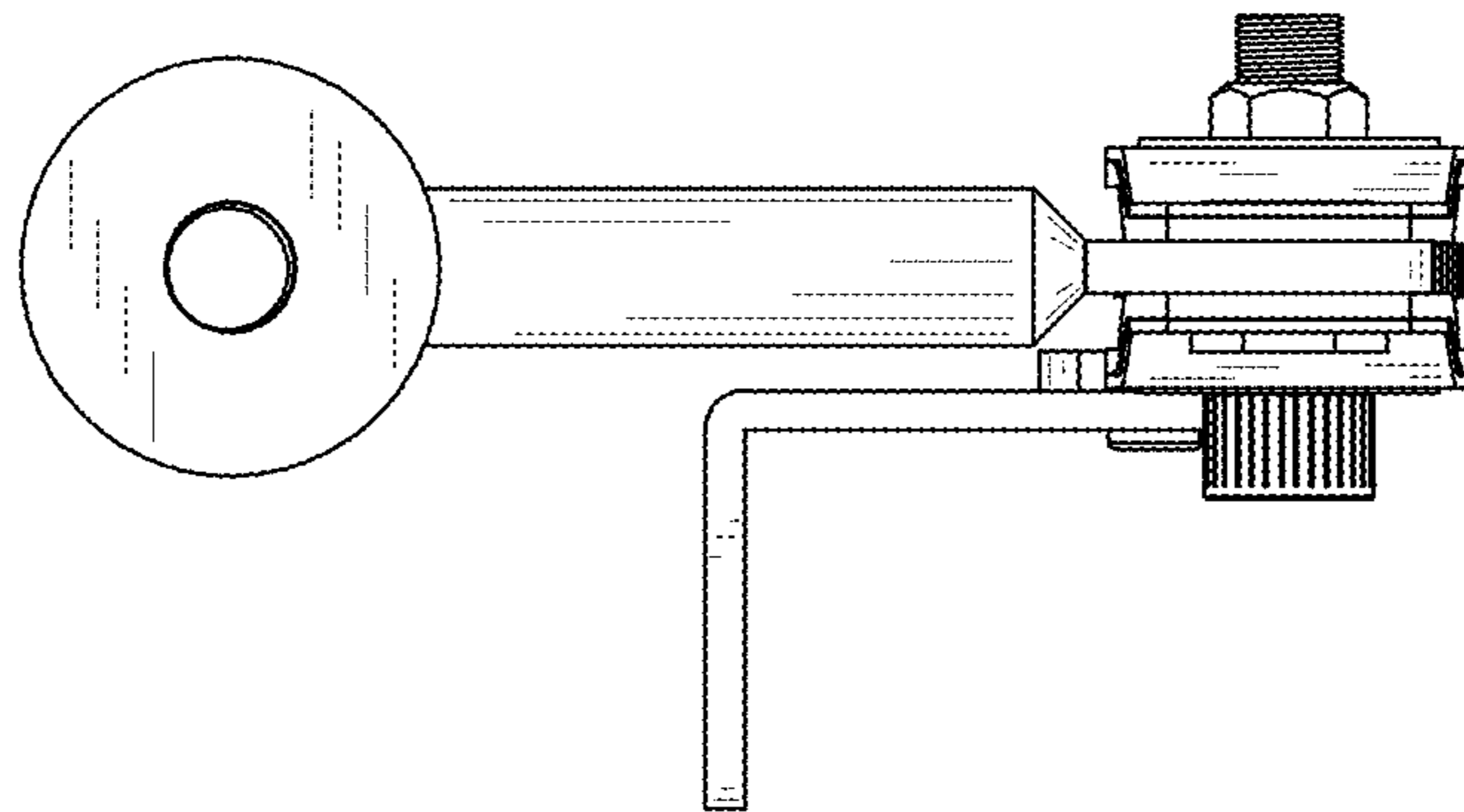


FIG.5

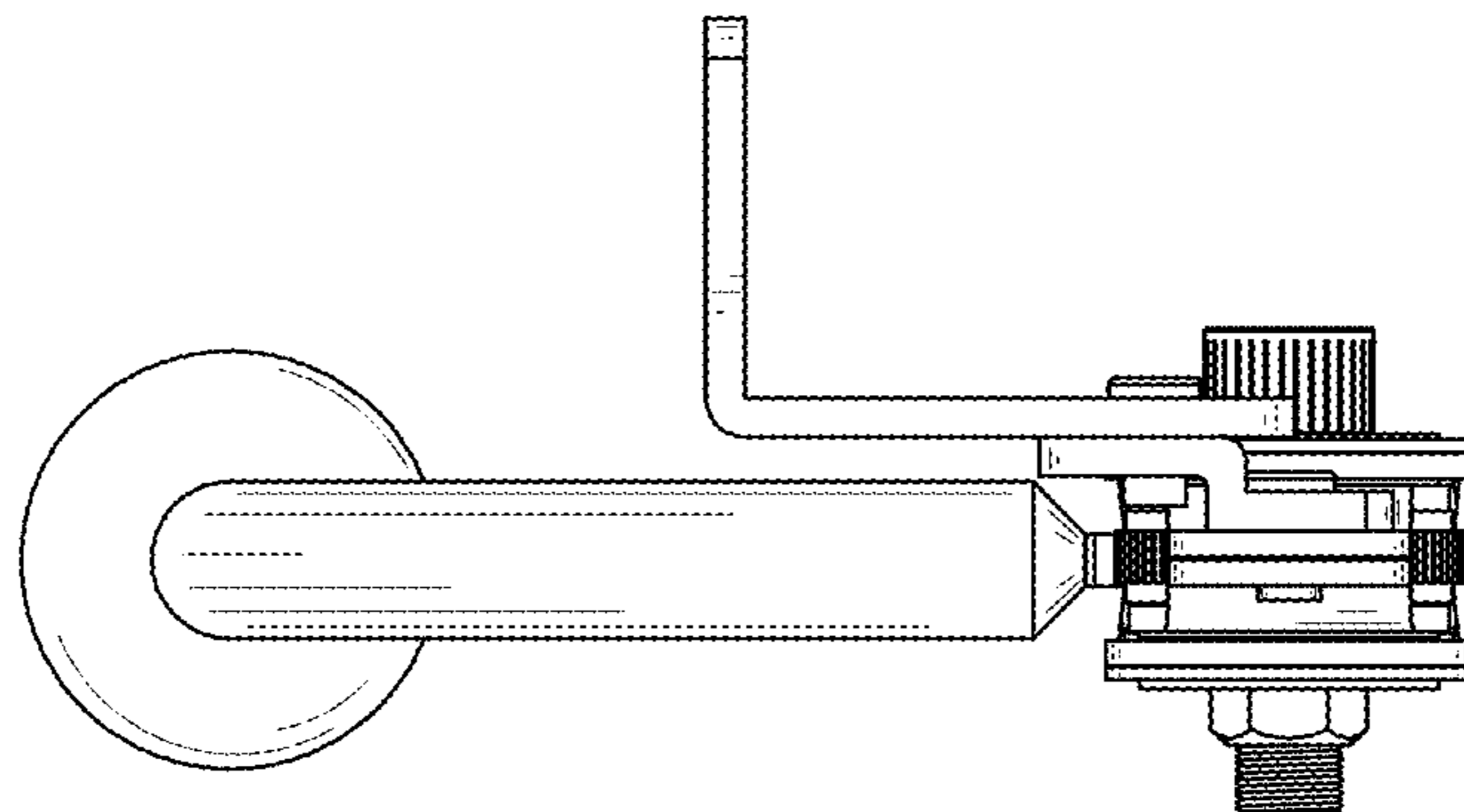


FIG.6

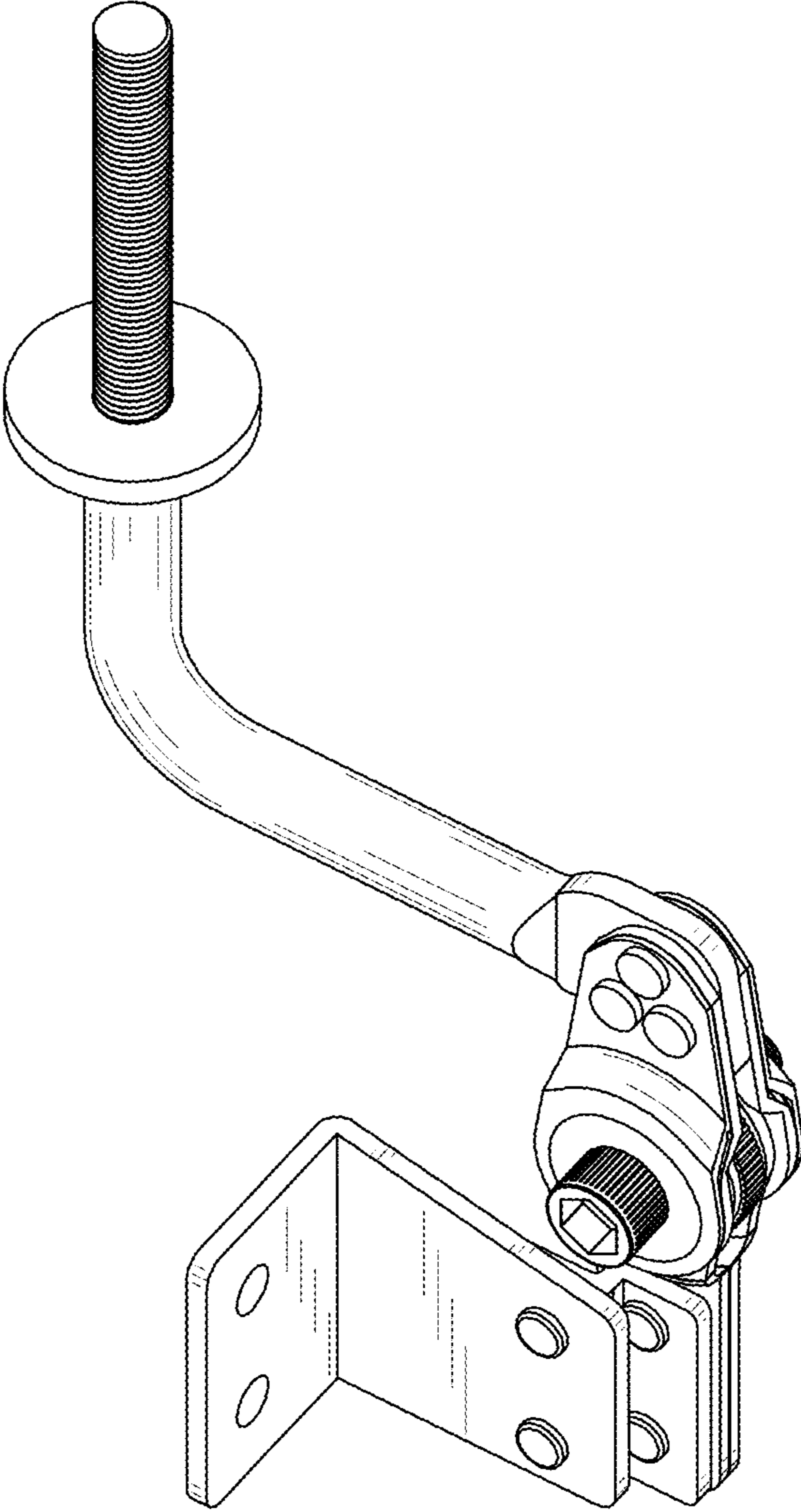


FIG.7

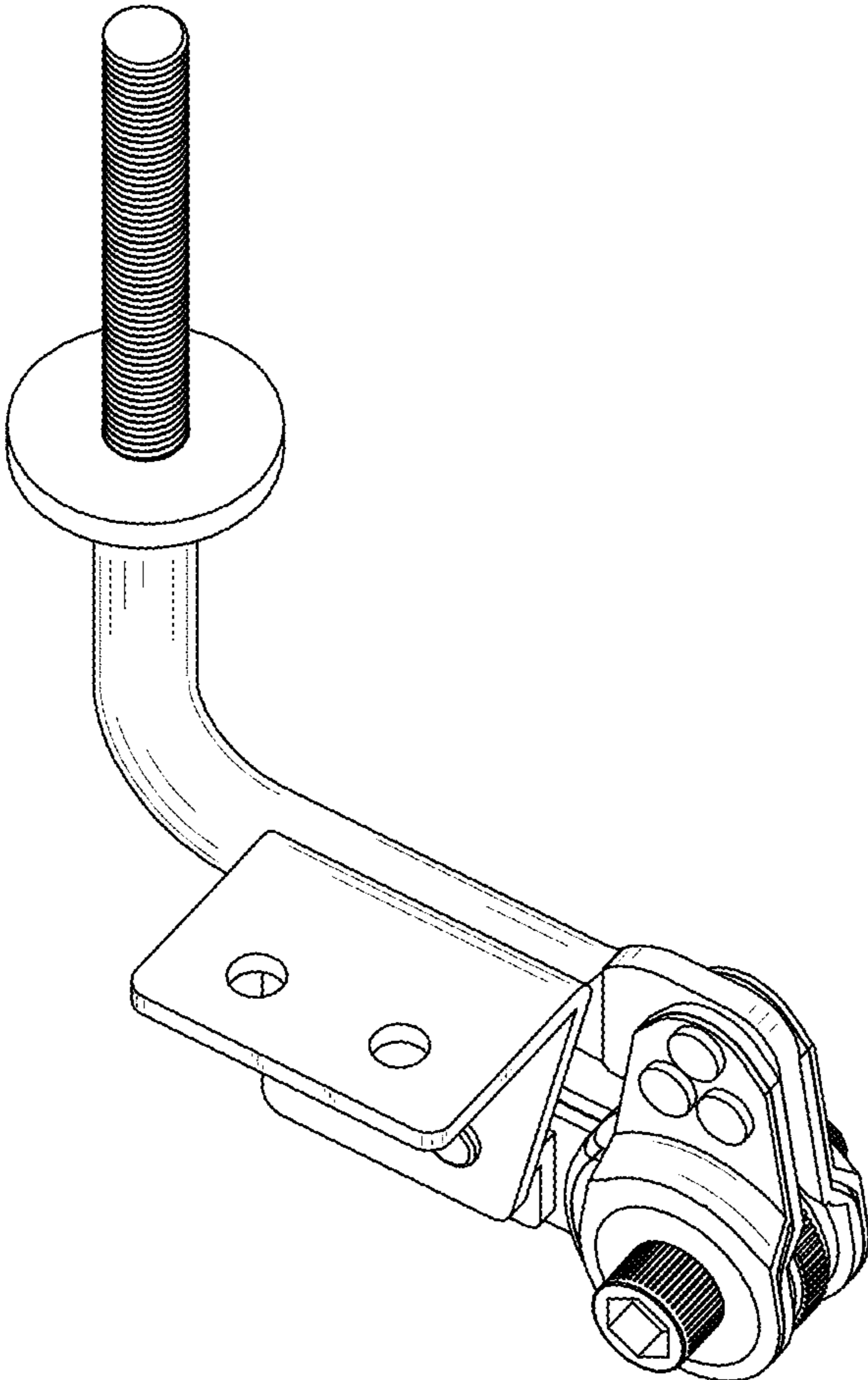


FIG. 8