



US00D744312S

(12) **United States Design Patent**  
**Waggoner et al.**

(10) **Patent No.:** **US D744,312 S**

(45) **Date of Patent:** **\*\* Dec. 1, 2015**

(54) **LARGE PUSH BAR**

(71) Applicants: **Christopher H. Waggoner**, Greensboro, NC (US); **Jeffrey R. Russell**, Winston-Salem, NC (US); **Noah R. Haut**, Lexington, NC (US)

(72) Inventors: **Christopher H. Waggoner**, Greensboro, NC (US); **Jeffrey R. Russell**, Winston-Salem, NC (US); **Noah R. Haut**, Lexington, NC (US)

(73) Assignee: **Camco Manufacturing, Inc.**, Greensboro, NC (US)

(\*\*) Term: **14 Years**

(21) Appl. No.: **29/474,542**

(22) Filed: **Oct. 22, 2014**

(51) **LOC (10) Cl.** ..... **08-06**

(52) **U.S. Cl.**  
USPC ..... **D8/316**

(58) **Field of Classification Search**  
USPC ..... D8/300, 301, 302, 313, 315, 316, 318, D8/319, 320; D6/546, 549; D7/393, 394; 16/110.1, 412, 413, 415, 419, 422, 16/424, 425, DIG. 19; D15/89; D3/318, D3/328; 248/257, 265  
CPC ..... Y10T 16/469; Y10T 16/44; Y10T 16/458; Y10T 16/498; Y10T 16/476; Y10T 16/459; Y10T 16/466; Y10T 16/4713; Y10T 16/4644; Y10T 16/513; Y10T 16/509; Y10T 16/473; Y10T 16/462; Y10T 16/4701; Y10T 74/20732; Y10T 29/49826; Y10T 16/4719; Y10T 16/455; Y10T 16/4559; Y10T 4/20828; Y10T 74/20738; Y10T 74/20762; Y10T 16/4628; Y10T 74/20864; Y10T 16/4567; Y10T 16/4576; Y10T 16/501; Y10T 16/86

See application file for complete search history.

(56) **References Cited**

U.S. PATENT DOCUMENTS

1,559,991	A *	11/1925	Sarkisian	.....	A47H 1/08 248/262
D68,971	S *	12/1925	Kirsch	.....	D8/376
1,565,742	A *	12/1925	Kenney	.....	A47H 1/08 403/52
2,204,493	A *	6/1940	Henry	.....	A47H 1/08 211/105.3
D180,646	S *	7/1957	Goldstein et al.	.....	D8/377
D197,771	S *	3/1964	Brenner	.....	D8/377
D202,779	S *	11/1965	Rosenbaum	.....	D8/377
D321,423	S *	11/1991	Ohm	.....	D32/58
D449,215	S *	10/2001	Bertani	.....	D8/316
D464,561	S *	10/2002	Tang	.....	D8/376
D468,193	S *	1/2003	Ohm	.....	D6/513
D542,090	S *	5/2007	Kim	.....	D7/402
D589,777	S	4/2009	Brockington		
D718,604	S *	12/2014	Boo	.....	D7/402

\* cited by examiner

*Primary Examiner* — Derrick Holland

*Assistant Examiner* — Lauren Calve

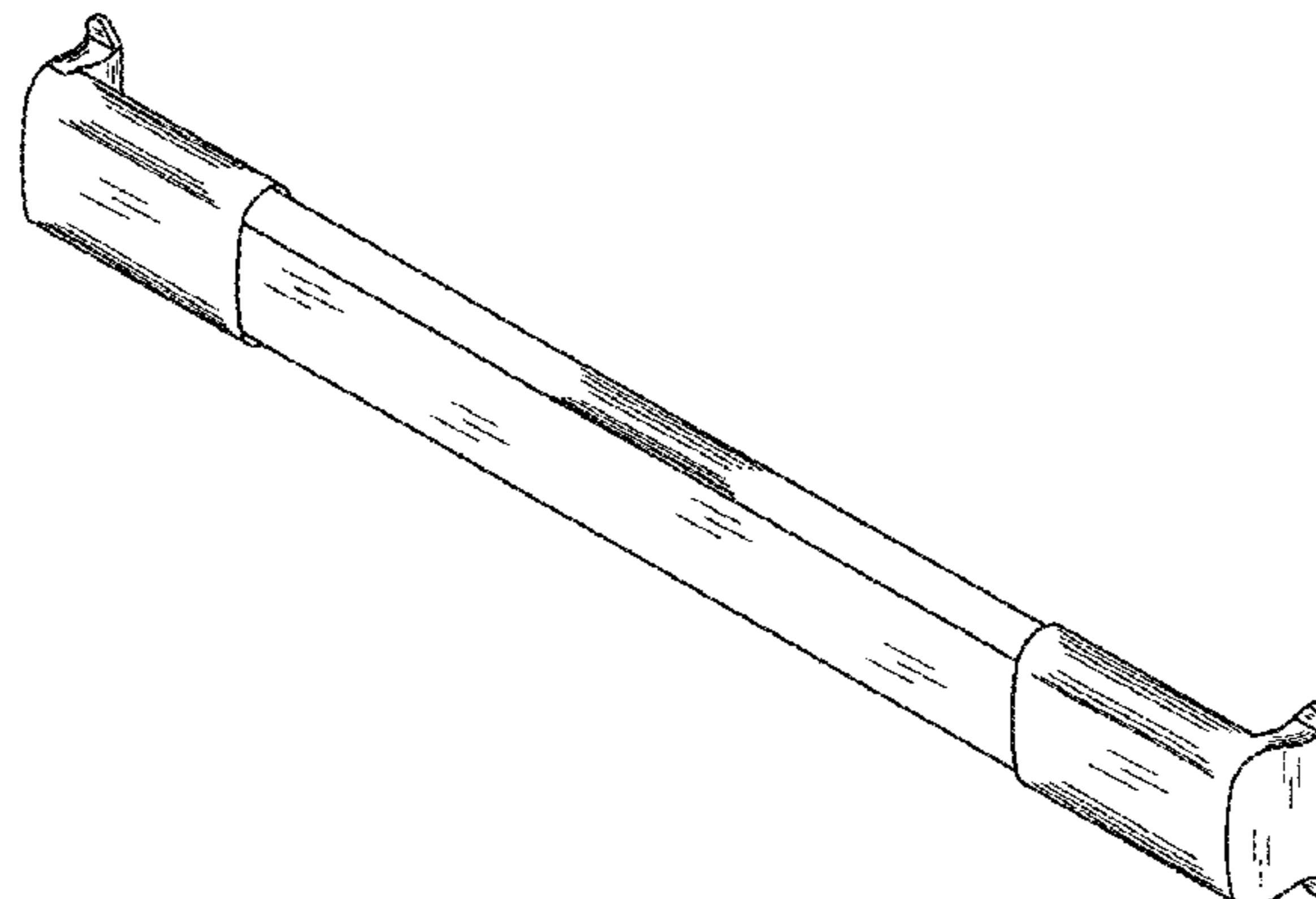
(57) **CLAIM**

The ornamental design for a large push bar, as shown and described.

**DESCRIPTION**

FIG. 1 is a front, top, right perspective view of a large push bar according to the invention;  
FIG. 2 is a front, top, right perspective view of the large push bar of FIG. 1 shown in an alternate configuration;  
FIG. 3 is a front elevational view of the large push bar of FIG. 1;  
FIG. 4 is a back elevational view of the large push bar of FIG. 1;  
FIG. 5 is a top plan view of the large push bar of FIG. 1, the bottom plan view being a mirror image thereof;  
FIG. 6 is a left side elevational view of the large push bar of FIG. 1, the right side elevational view being a mirror image thereof;  
FIG. 7 is a rear, top, left perspective view of the large push bar of FIG. 1; and,  
FIG. 8 is a rear, top, left perspective view of the large push bar of FIG. 1 shown in an alternate configuration.

**1 Claim, 4 Drawing Sheets**



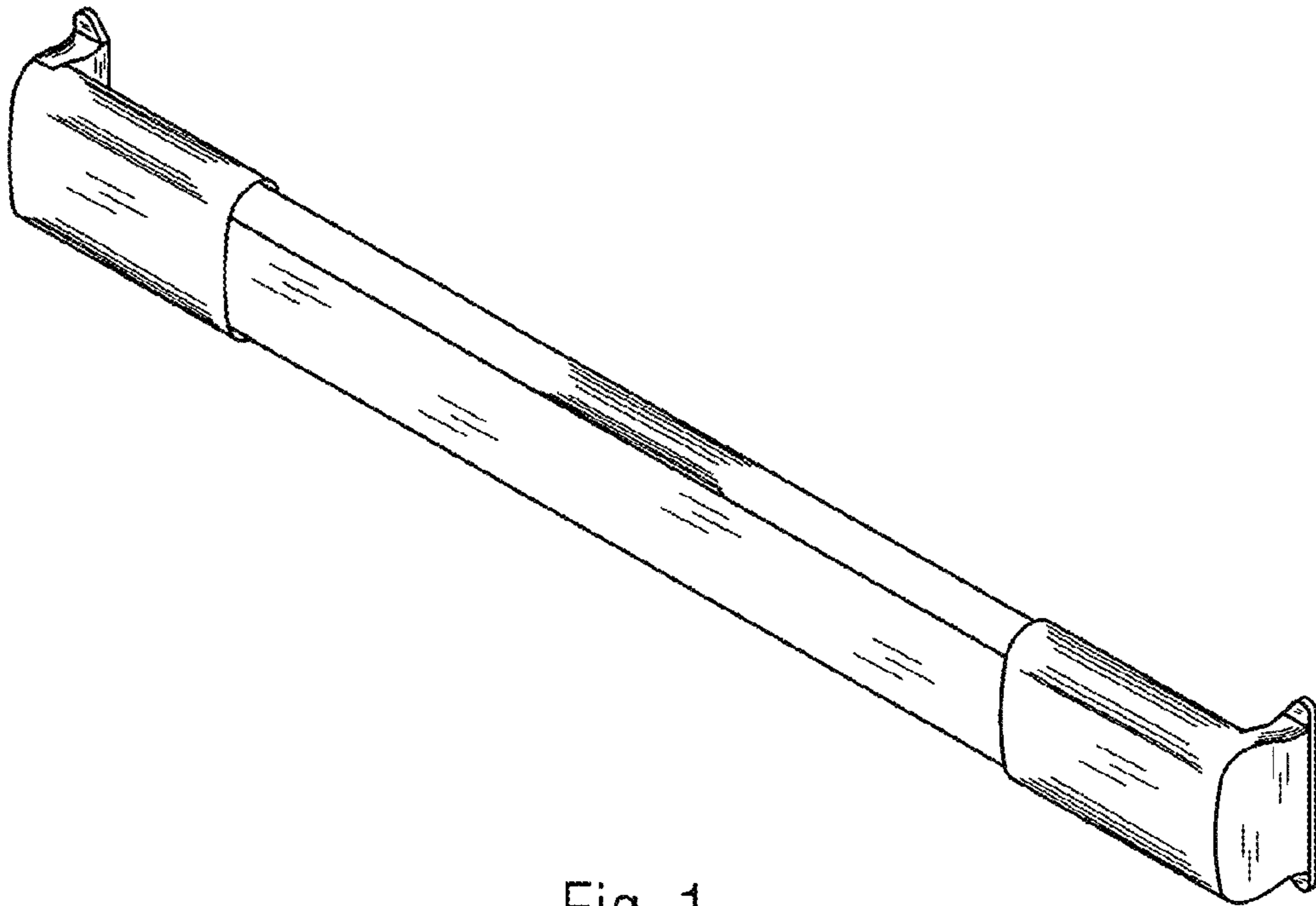


Fig. 1

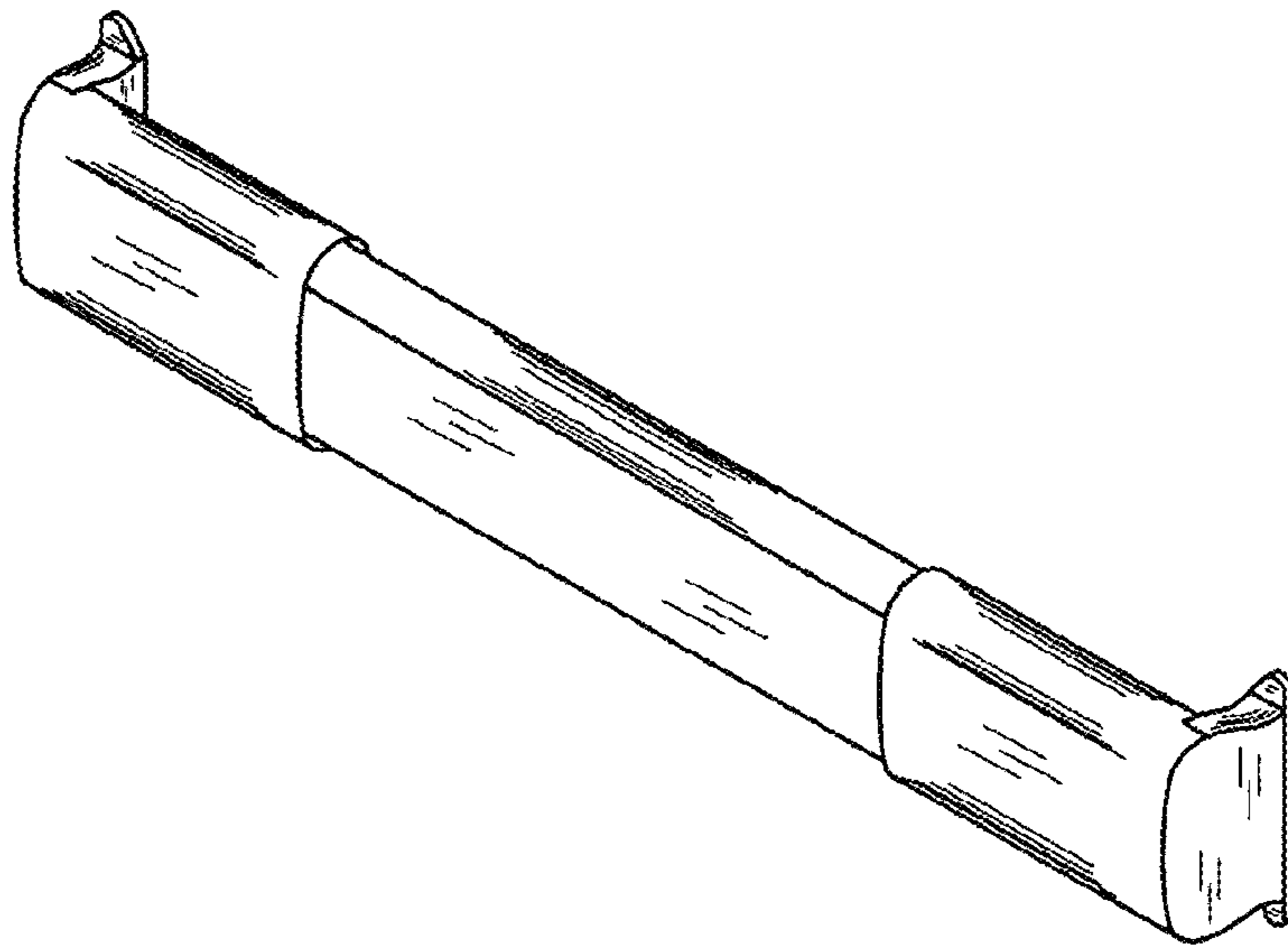


Fig. 2

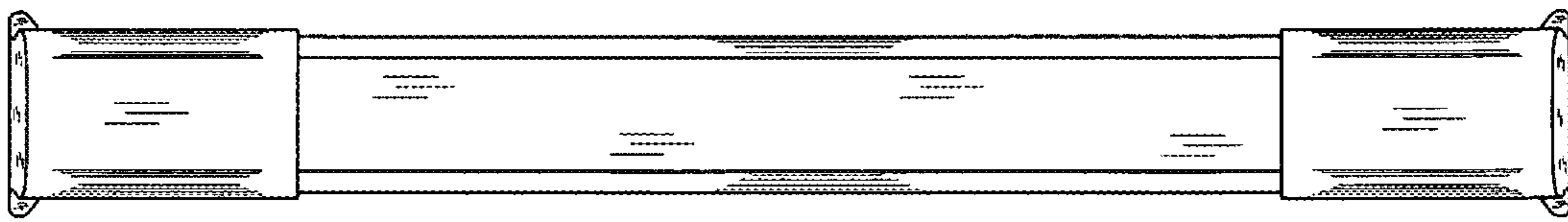


Fig. 3

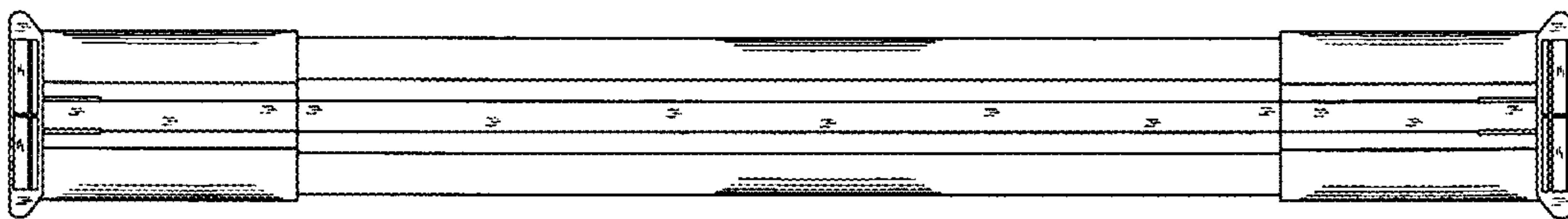


Fig. 4

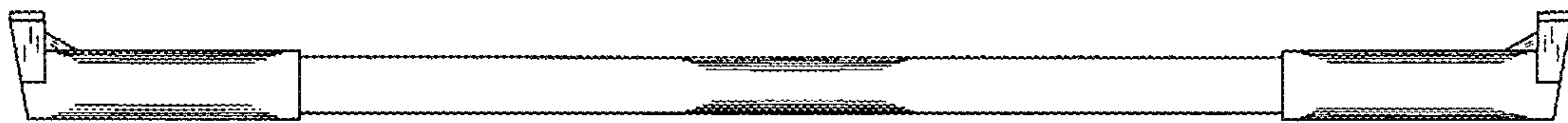


Fig. 5

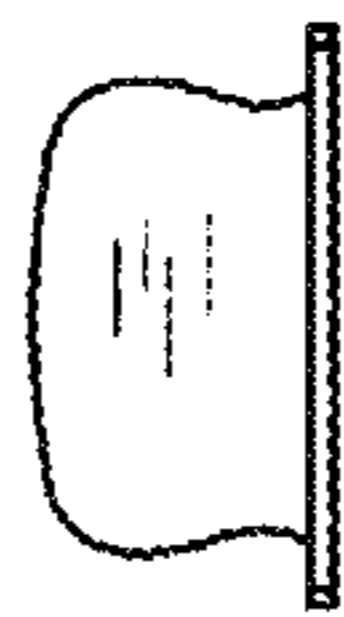


Fig. 6

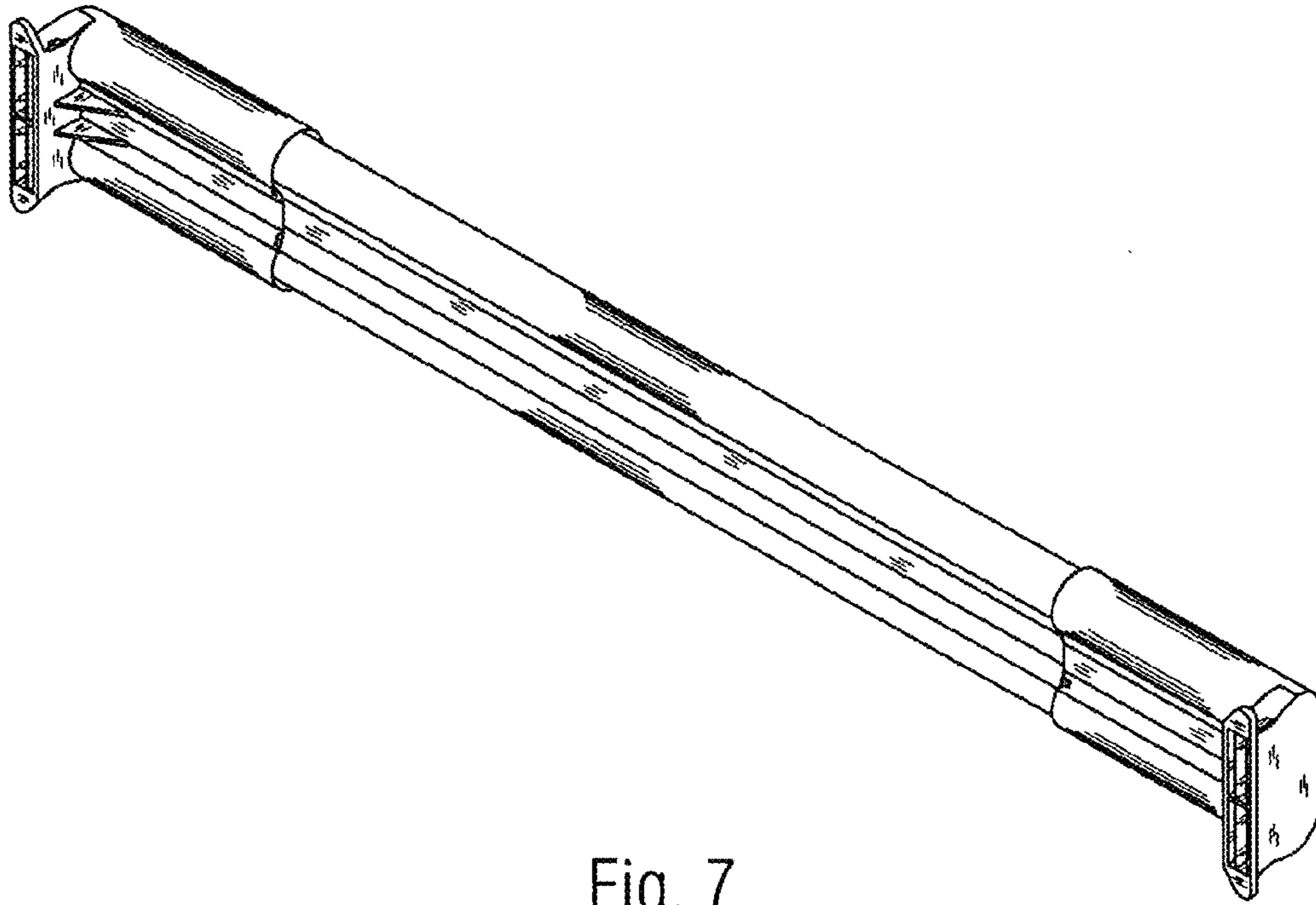


Fig. 7

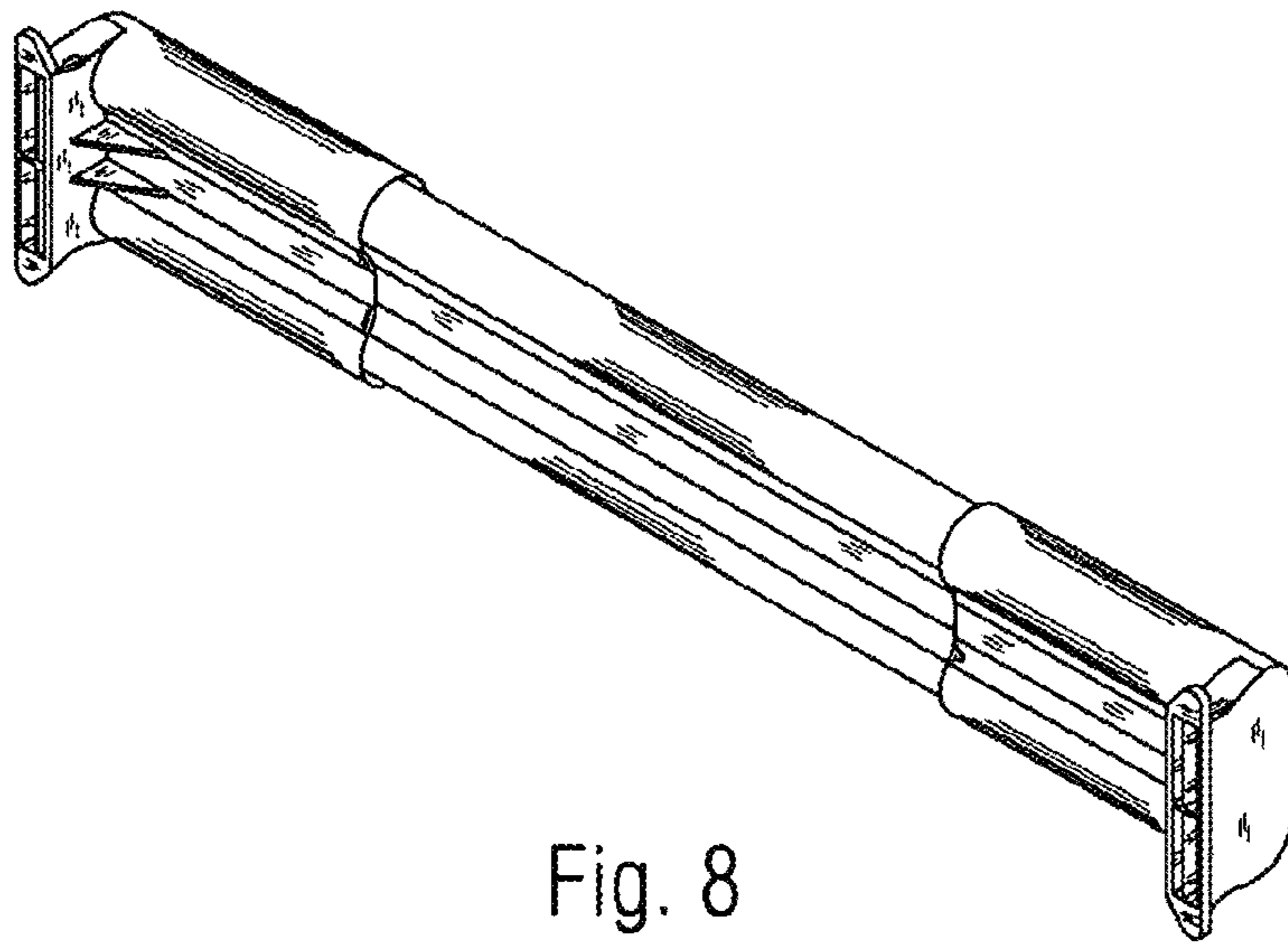


Fig. 8