



US00D744310S

(12) **United States Design Patent**
Davis, Sr.

(10) **Patent No.:** **US D744,310 S**
(45) **Date of Patent:** **** Dec. 1, 2015**

(54) **CHIPPING AND SCRAPING TOOL**

(71) Applicant: **Lauren Kurt Davis, Sr.**, Perris, CA
(US)

(72) Inventor: **Lauren Kurt Davis, Sr.**, Perris, CA
(US)

(**) Term: **14 Years**

(21) Appl. No.: **29/470,140**

(22) Filed: **Oct. 17, 2013**

Related U.S. Application Data

(63) Continuation-in-part of application No. 29/392,699,
filed on May 25, 2011, now abandoned.

(51) **LOC (10) Cl.** **08-02**

(52) **U.S. Cl.**
USPC **D8/81; D8/88**

(58) **Field of Classification Search**
USPC D8/14, 31, 47, 76, 81, 88-89, 105;
D32/40, 49; 7/143-147, 158, 166-167;
81/20, 25; 30/164.5, 164.8, 168;
125/40-43; 29/81.17
See application file for complete search history.

(56) **References Cited**

U.S. PATENT DOCUMENTS

470,889 A	3/1892	Fredericks
D29,984 S	1/1899	Duffy
D30,892 S	5/1899	Rawlings
1,972,540 A	9/1933	Teate
2,226,673 A	12/1938	St. Pierre
D136,670 S	8/1943	Leon
2,337,440 A	12/1943	Arrowood
D145,636 S	9/1946	McClure
2,423,189 A	7/1947	Honhart
D163,385 S	12/1947	Hawes

2,519,016 A	8/1950	Bernard
D164,705 S	10/1951	Moses
2,592,648 A	4/1952	Bowers
2,814,093 A	11/1957	Hulvey
2,908,962 A	10/1959	Wagner
3,336,647 A	8/1967	Novotny
3,380,096 A	4/1968	Marston
D212,579 S	10/1968	Hefner
3,599,255 A	8/1971	Carroll, Sr.
3,629,883 A	12/1971	Norman
3,821,824 A	7/1974	Pilcher
4,242,780 A	1/1981	Littman
D388,303 S	12/1997	Berggren
D390,082 S	2/1998	Higgs
5,983,430 A	11/1999	Clark
6,460,210 B1	10/2002	Alpert
6,539,824 B2	4/2003	Wedhorn
D678,017 S *	3/2013	Muhlenbruch D8/14

* cited by examiner

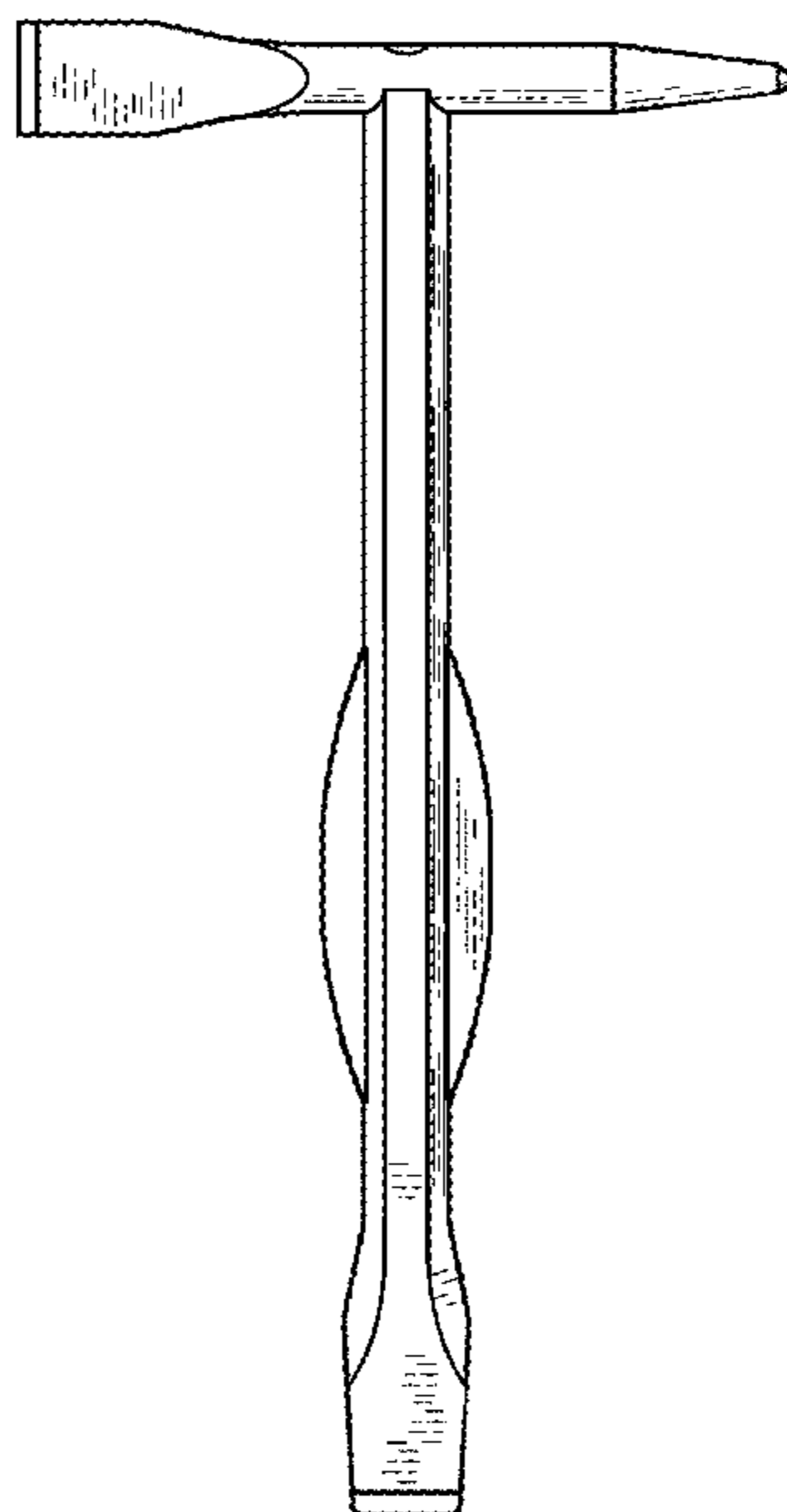
Primary Examiner — Philip S Hyder
Assistant Examiner — Roselynn Cody
(74) *Attorney, Agent, or Firm* — Kirk A. Buhler; Buhler & Associates

(57) **CLAIM**
The ornamental design for a chipping and scraping tool, as shown and described.

DESCRIPTION

FIG. 1 is a front view for a chipping and scraping tool showing my new design;
FIG. 2 is a back view thereof;
FIG. 3 is a right view thereof;
FIG. 4 is a left view thereof;
FIG. 5 is a top view thereof; and,
FIG. 6 is a bottom view.
The broken lines in FIGS. 5 and 6 depict environmental subject matter and form no part of the claimed design.

1 Claim, 4 Drawing Sheets



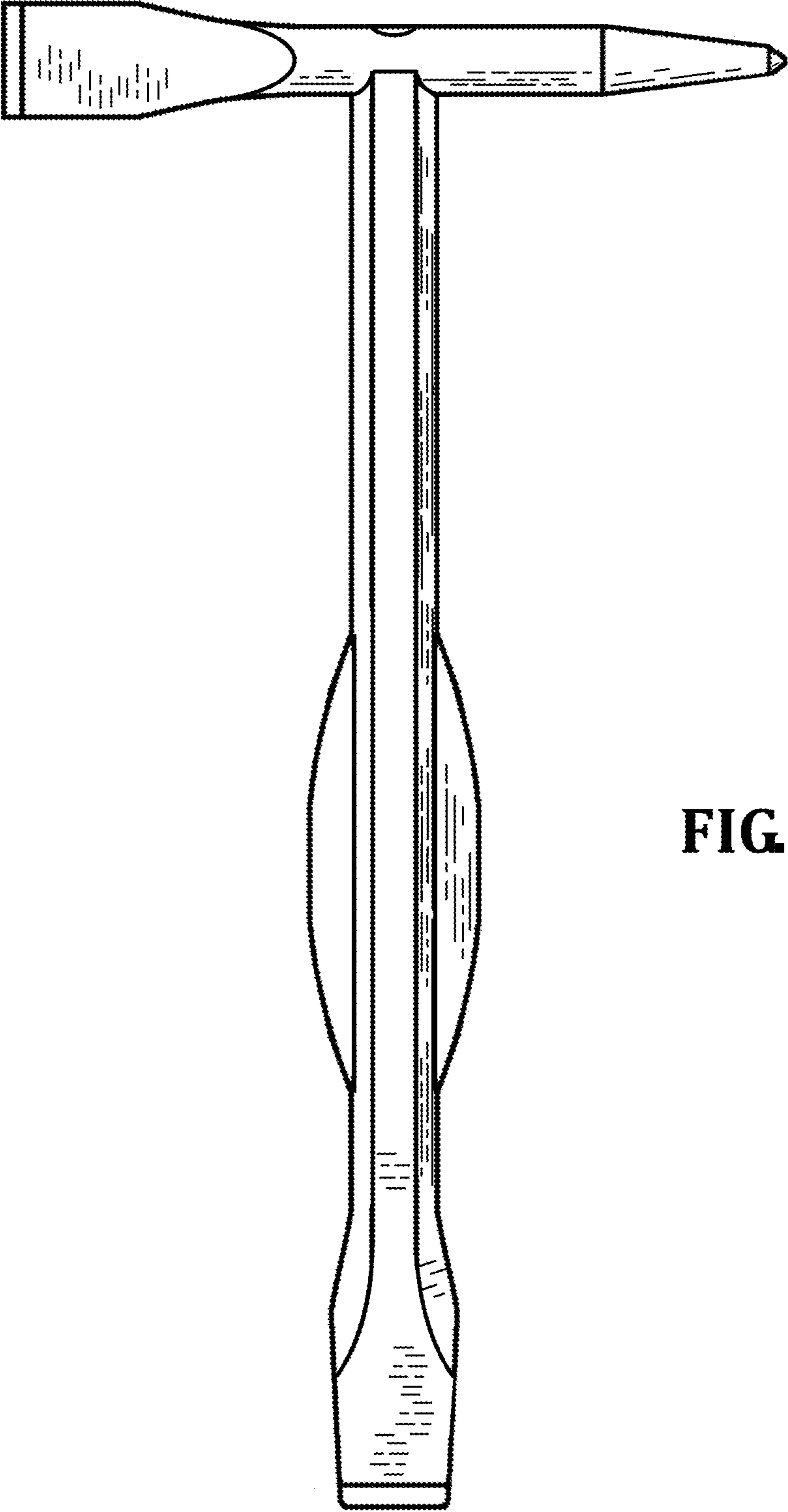


FIG 1

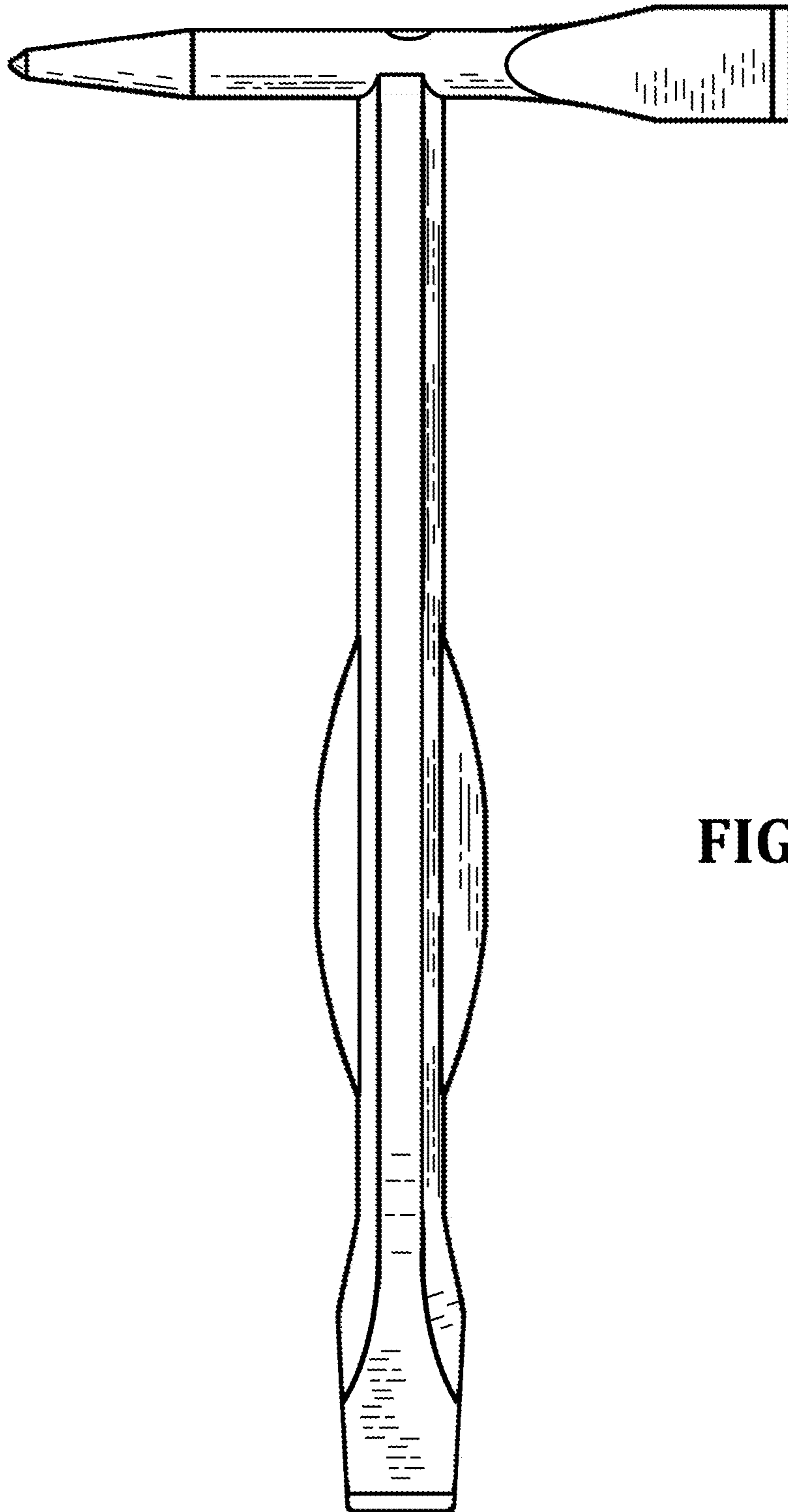


FIG 2

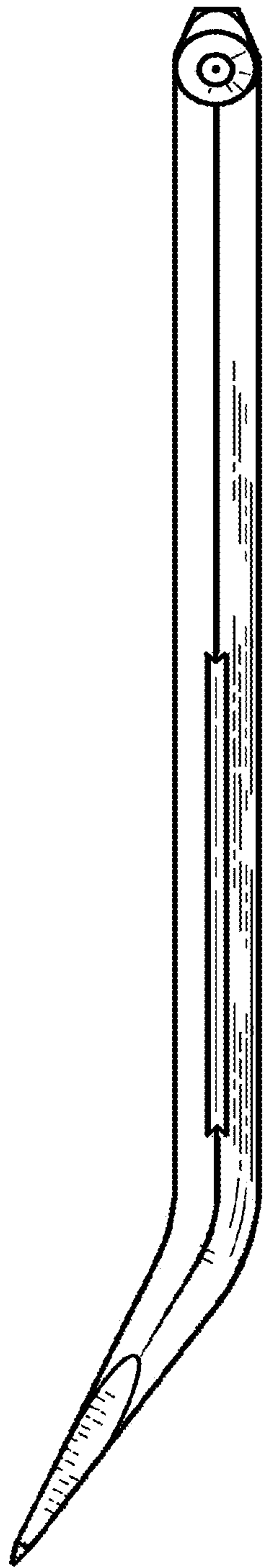


FIG 3

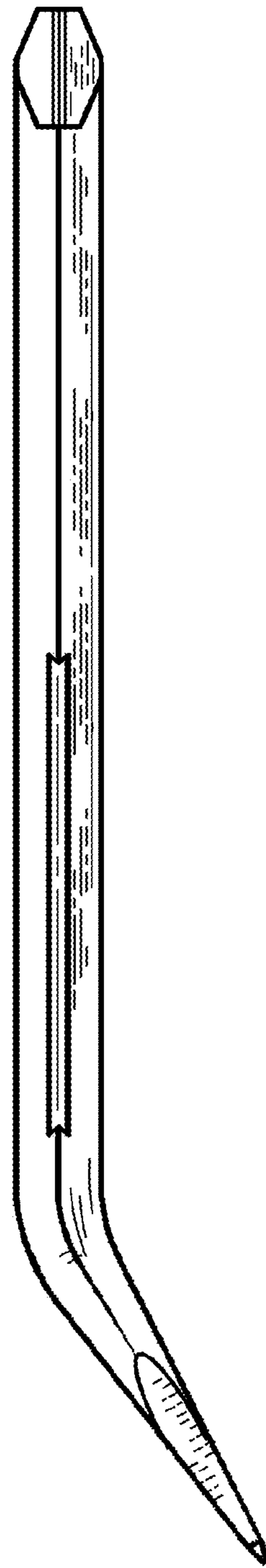


FIG 4

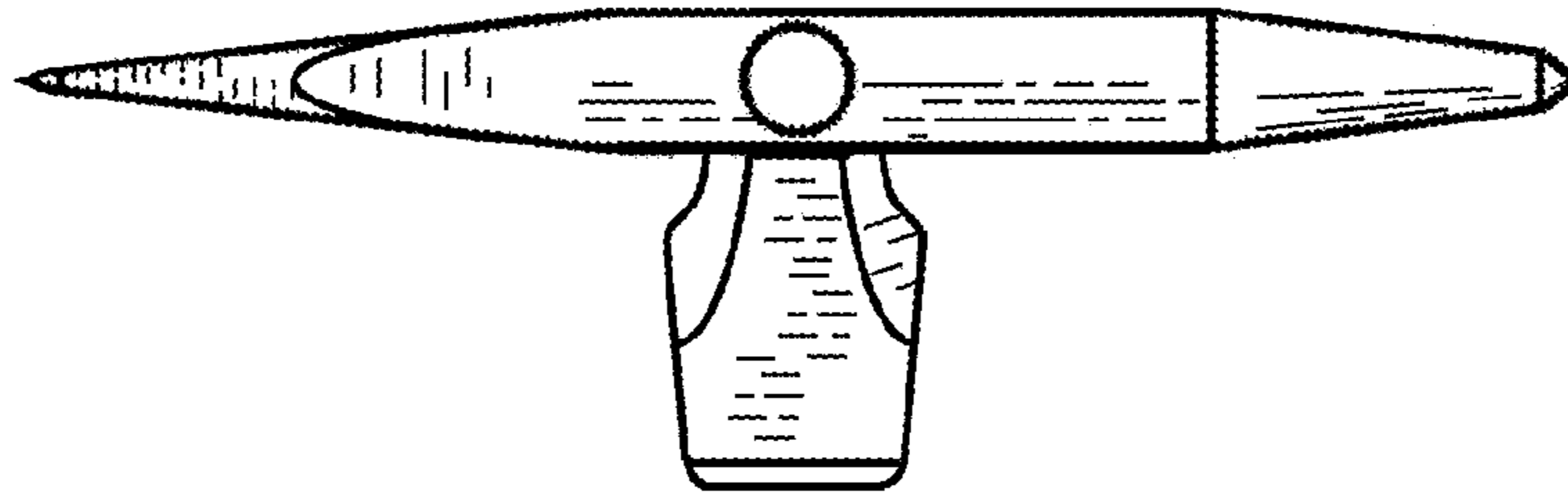


FIG 5

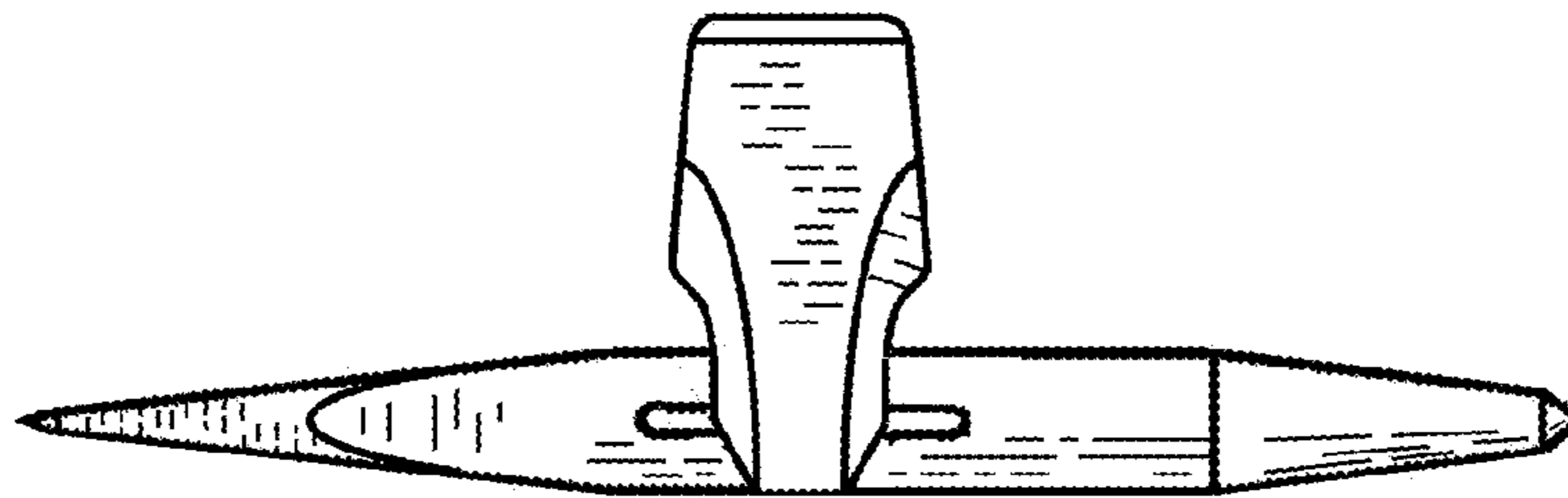


FIG 6