



US00D744308S

(12) **United States Design Patent**
Tinius

(10) **Patent No.:** **US D744,308 S**
(45) **Date of Patent:** **** Dec. 1, 2015**

(54) **CHAINSAW**
(71) Applicant: **Andreas Stihl AG & Co. KG**,
Waiblingen (DE)
(72) Inventor: **Michael Tinius**, Ulm (DE)
(73) Assignee: **Andreas Stihl AG & Co. KG**,
Waiblingen (DE)

(**) Term: **14 Years**
(21) Appl. No.: **29/440,296**
(22) Filed: **Dec. 20, 2012**

(30) **Foreign Application Priority Data**
Aug. 2, 2012 (EP) 002082818-0002
(51) **LOC (10) Cl.** **08-03**
(52) **U.S. Cl.**
USPC **D8/65**
(58) **Field of Classification Search**
USPC D8/65, 7, 8, 9, 66, 64, 61, 98, 14, 51,
D8/99, 107, 70, 68, 60, 85, 21, 25, 24, 29,
D8/36, 40; 30/386, 382, 123, 381, 165,
30/123.3, 123.4, 319, 292, 307, 162, 306,
30/263, 92, 371; 125/21; D21/532;
83/832, 833, 834; 74/54, 49
CPC B27B 17/02
See application file for complete search history.

(56) **References Cited**
U.S. PATENT DOCUMENTS
D216,384 S 12/1969 George
3,620,269 A * 11/1971 Lange et al. 30/381
3,680,608 A 8/1972 Emmerich et al.
3,733,700 A * 5/1973 Notaras et al. 30/381

3,845,827 A 11/1974 Schulin
D237,352 S 10/1975 Shymkus
4,178,685 A 12/1979 Inaga
4,197,640 A 4/1980 Murray
D255,770 S 7/1980 Asamoto
D273,456 S 4/1984 McDougall et al.
4,534,005 A 8/1985 Nagashima et al.
4,602,656 A * 7/1986 Nagashima et al. 137/590
4,630,372 A 12/1986 Nagashima
4,654,970 A 4/1987 Nagashima
4,662,071 A 5/1987 Hoppner et al.
4,683,660 A 8/1987 Schurr
4,693,006 A 9/1987 Wehle
H378 H 12/1987 Matsumoto
D295,713 S * 5/1988 Nagashima et al. D8/65
4,753,012 A 6/1988 Schurr
4,819,332 A 4/1989 Sugihara et al.
D303,207 S 9/1989 Nakajima

(Continued)

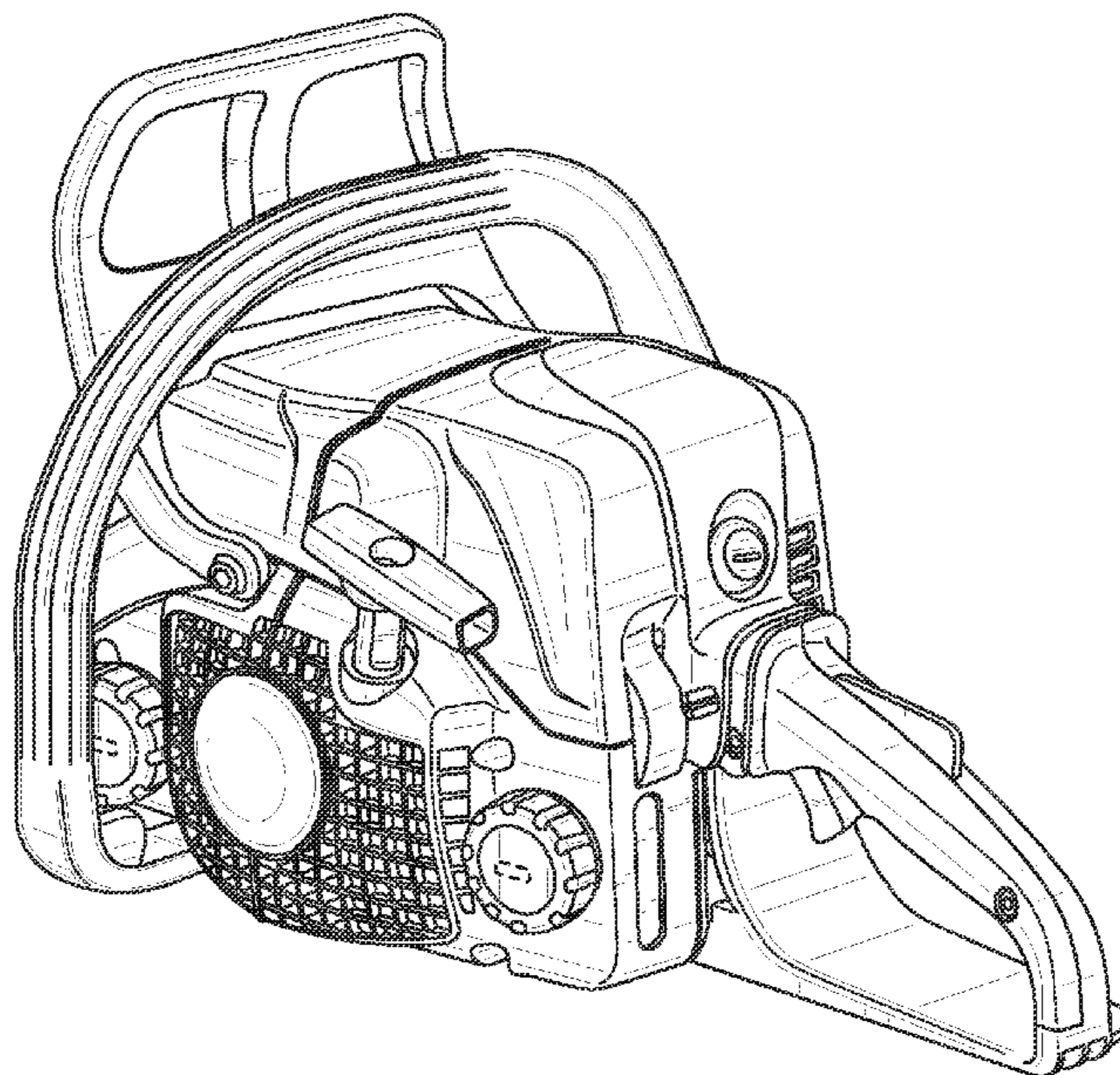
Primary Examiner — Robert M Spear
Assistant Examiner — Kendra L Hamilton
(74) *Attorney, Agent, or Firm* — McGuireWoods LLP

(57) **CLAIM**
I claim the ornamental design for a chainsaw, as shown and described.

DESCRIPTION

FIG. 1 is a right perspective view of the chainsaw;
FIG. 2 is a front view of the chainsaw shown in FIG. 1;
FIG. 3 is a rear view of the chainsaw shown in FIG. 1;
FIG. 4 is a left side view of the chainsaw shown in FIG. 1;
FIG. 5 is a right side view of the chainsaw shown in FIG. 1;
FIG. 6 is a top view of the chainsaw shown in FIG. 1; and,
FIG. 7 is a bottom view of the chainsaw shown in FIG. 1.
The portions of the figures shown in broken lines depict environmental structure that forms no part of the claimed design.

1 Claim, 7 Drawing Sheets



(56)

References Cited

U.S. PATENT DOCUMENTS

4,939,842 A 7/1990 Rebhan
 5,029,393 A 7/1991 Nagashima et al.
 D320,728 S 10/1991 Arvidsson
 5,070,618 A 12/1991 Edlund
 D325,330 S 4/1992 Barnhill
 5,212,886 A 5/1993 Tasaki
 D361,251 S 8/1995 Griffin
 D364,326 S 11/1995 Lohse et al.
 D365,262 S 12/1995 Beaulieu et al.
 5,485,814 A 1/1996 Tuggle et al.
 5,570,512 A 11/1996 Hoppner
 D377,441 S 1/1997 Hoppner et al.
 D378,184 S 2/1997 Naslund et al.
 D385,766 S 11/1997 Kondo et al.
 D386,958 S 12/1997 Karlsson et al.
 D408,247 S 4/1999 Juratovac et al.
 D412,652 S * 8/1999 Durr et al. D8/65
 5,992,025 A 11/1999 Fricke
 6,016,604 A 1/2000 Wolf et al.
 D445,657 S 7/2001 Jong
 D466,957 S * 12/2002 Visnick D21/532
 6,637,117 B2 10/2003 Kobayashi
 D481,601 S 11/2003 Ashfield
 7,168,132 B2 1/2007 Durr et al.
 D538,123 S 3/2007 Yates
 D545,157 S 6/2007 Fisher et al.
 D547,630 S 7/2007 Fisher et al.
 D549,537 S 8/2007 Harada et al.
 D558,019 S 12/2007 Granberg et al.
 D558,020 S 12/2007 Karlsson et al.
 D563,747 S 3/2008 Tinius
 D573,860 S 7/2008 Shimokawa et al.
 D574,207 S 8/2008 Arnesson et al.
 D576,005 S 9/2008 Shimokawa et al.

D577,557 S 9/2008 Shimokawa et al.
 D580,724 S 11/2008 Tinius
 D606,829 S 12/2009 Tinius
 D607,292 S 1/2010 Tinius
 D607,293 S 1/2010 Tinius
 D615,836 S 5/2010 Kosugi et al.
 D633,766 S * 3/2011 Tinius D8/65
 D636,652 S 4/2011 Mehra
 D640,111 S 6/2011 Tinius
 D641,603 S 7/2011 Tinius
 D645,315 S 9/2011 Tinius
 D647,773 S 11/2011 Sugishita et al.
 D649,852 S 12/2011 Tinius
 D649,853 S * 12/2011 Tinius D8/65
 D651,061 S 12/2011 Tinius
 D651,497 S 1/2012 Worsnop
 D658,959 S 5/2012 Landberg
 D658,960 S 5/2012 Landberg
 D662,801 S 7/2012 Tinius
 D663,599 S 7/2012 Tinius
 D690,570 S 10/2013 Tinius
 D702,098 S * 4/2014 Landberg D8/65
 2002/0073551 A1 6/2002 Goodwin
 2002/0124421 A1 9/2002 Hermes et al.
 2002/0129502 A1 9/2002 Durr et al.
 2003/0051351 A1 3/2003 Buchholtz et al.
 2003/0088987 A1 5/2003 Jong
 2003/0167642 A1 9/2003 Chen
 2003/0188618 A1 10/2003 Menzel et al.
 2004/0016133 A1 1/2004 Gorenflo et al.
 2004/0103857 A1 6/2004 Kruse
 2006/0230900 A1 10/2006 Bergquisto
 2006/0254557 A1 11/2006 Hamisch et al.
 2012/0102765 A1 * 5/2012 Andersson et al. 30/382
 2013/0091715 A1 * 4/2013 Zimmermann et al. 30/382
 2014/0283665 A1 * 9/2014 Seigneur et al. 83/832
 2014/0290074 A1 * 10/2014 Takayanagi et al. 30/382

* cited by examiner

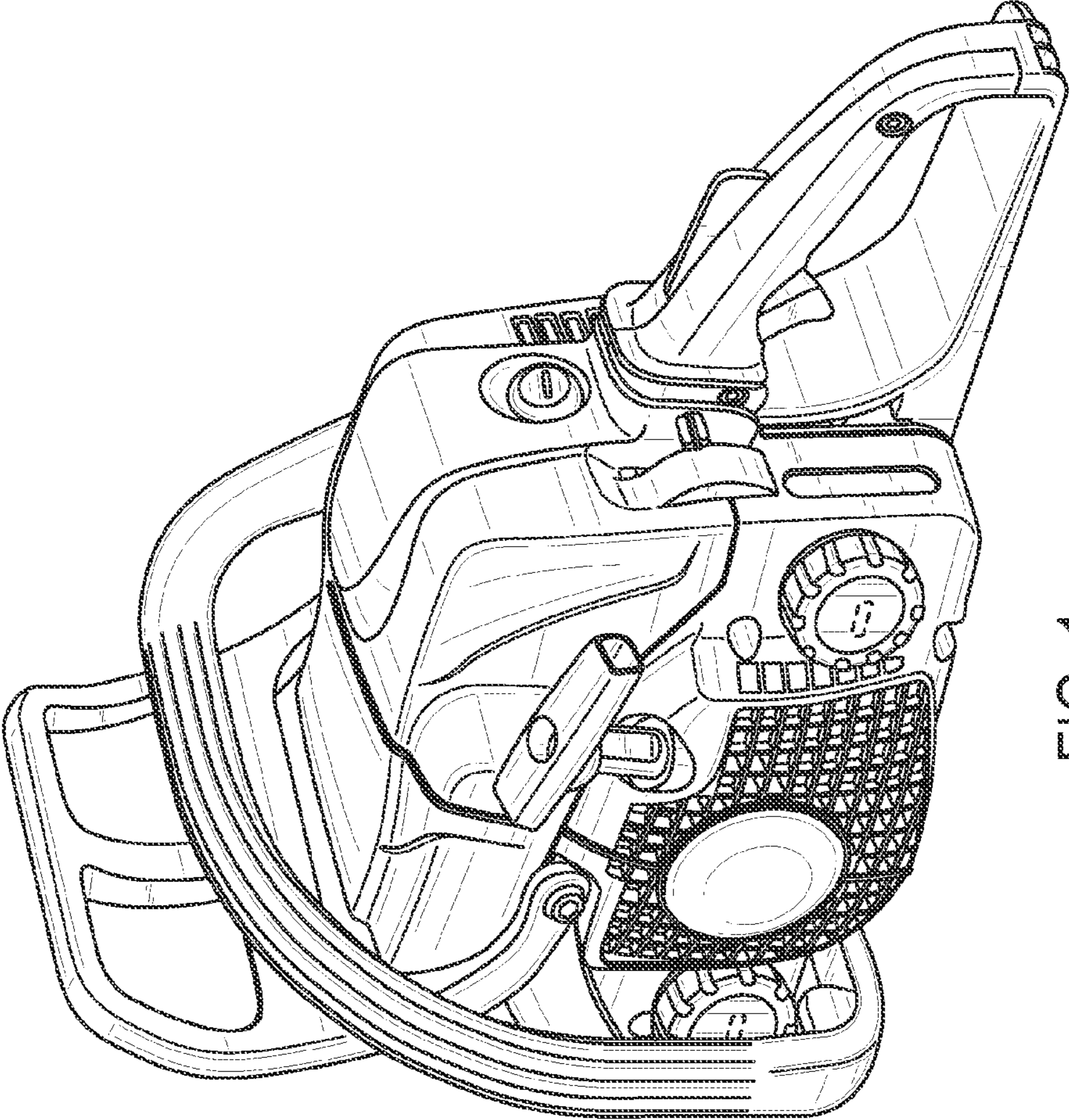


FIG. 1

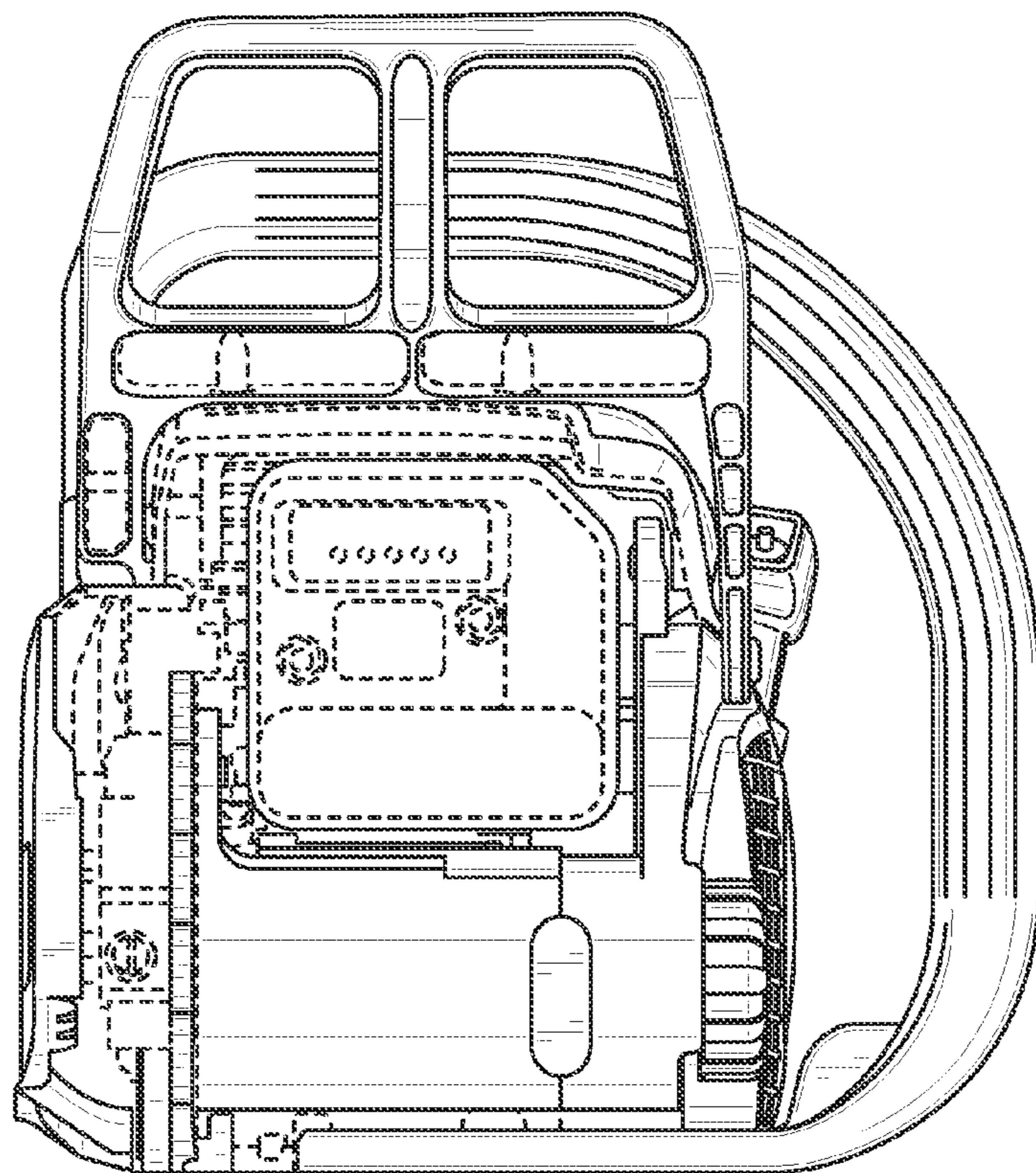


FIG. 2

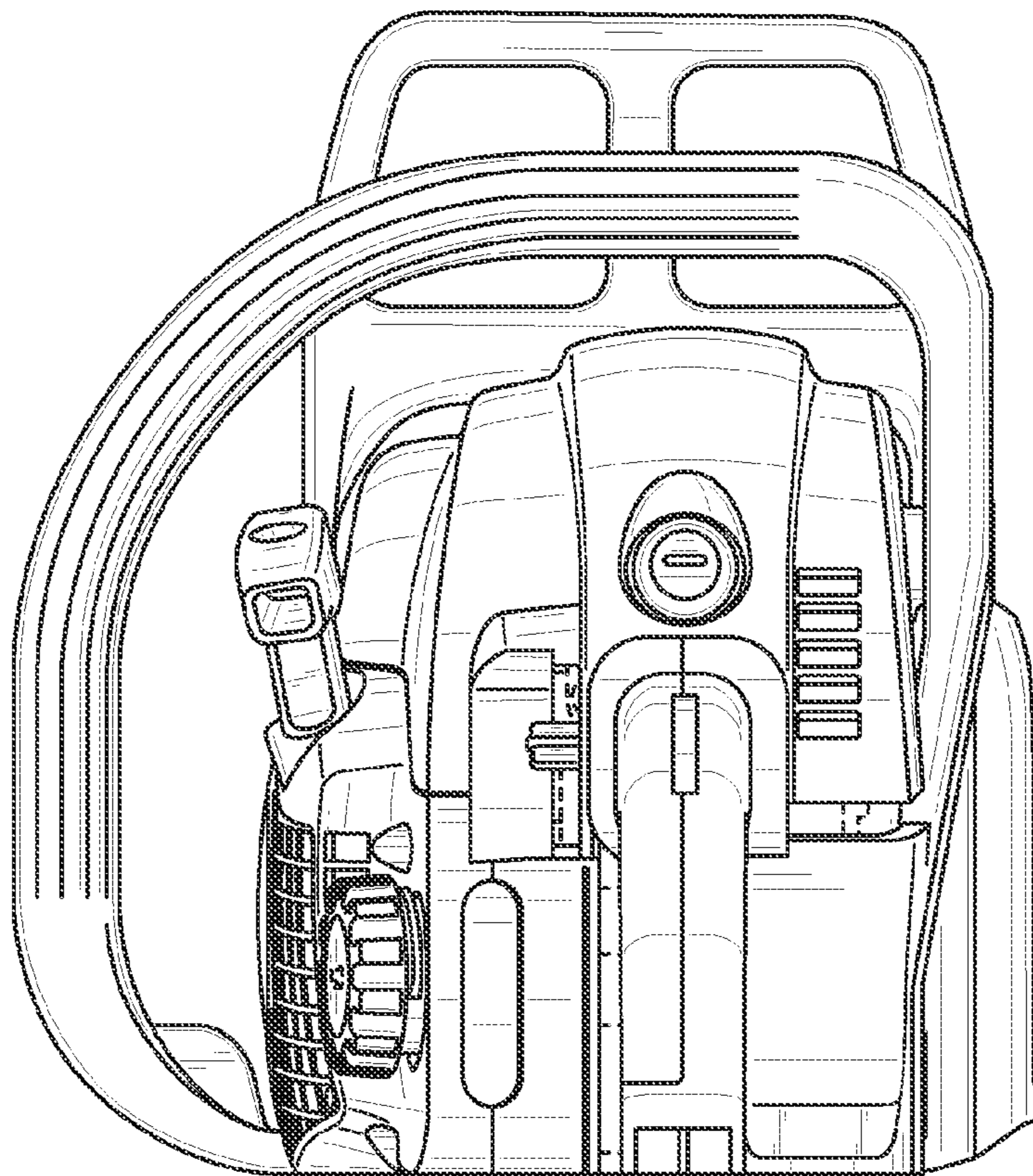


FIG. 3

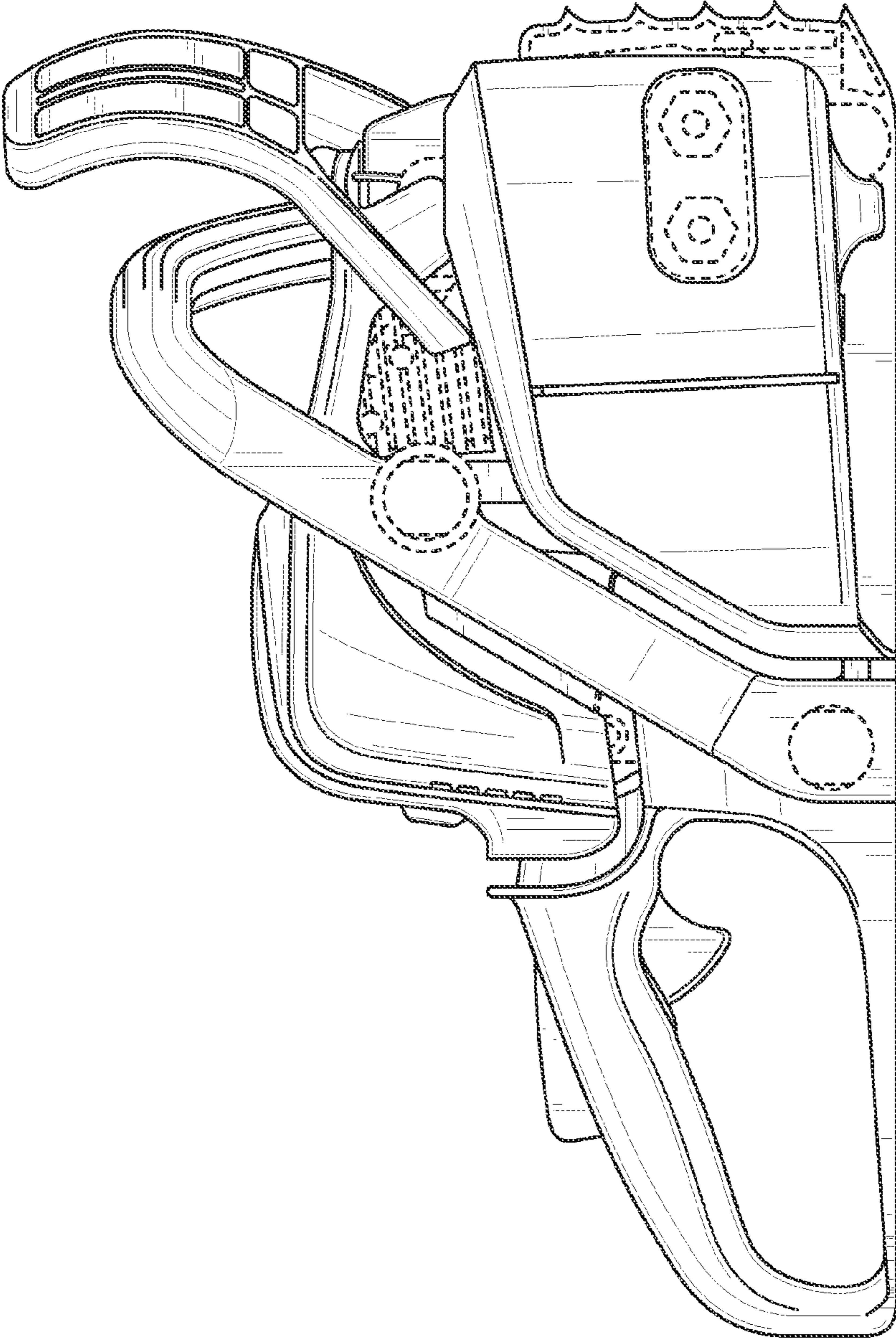


FIG. 4

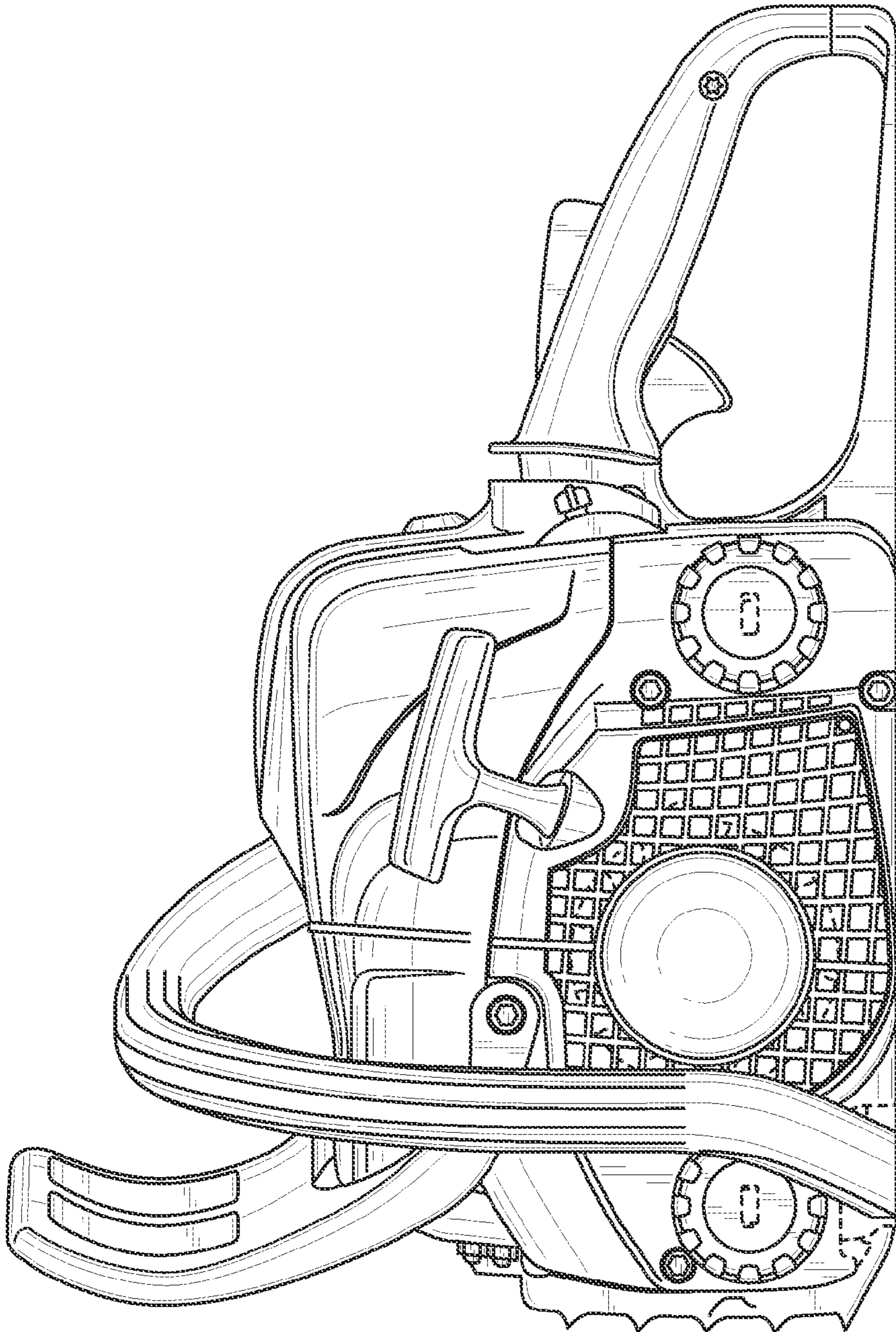


FIG. 5

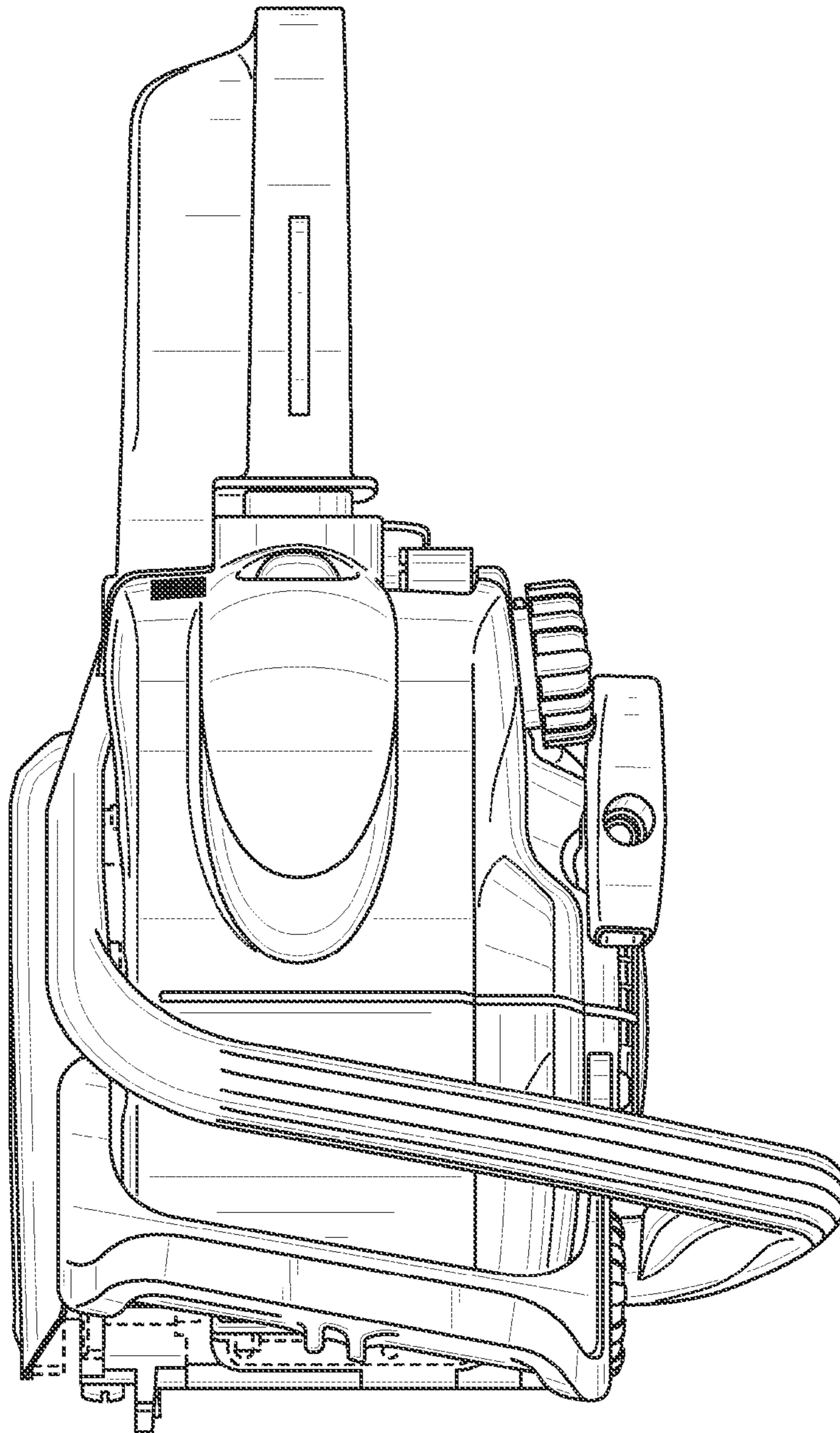


FIG. 6

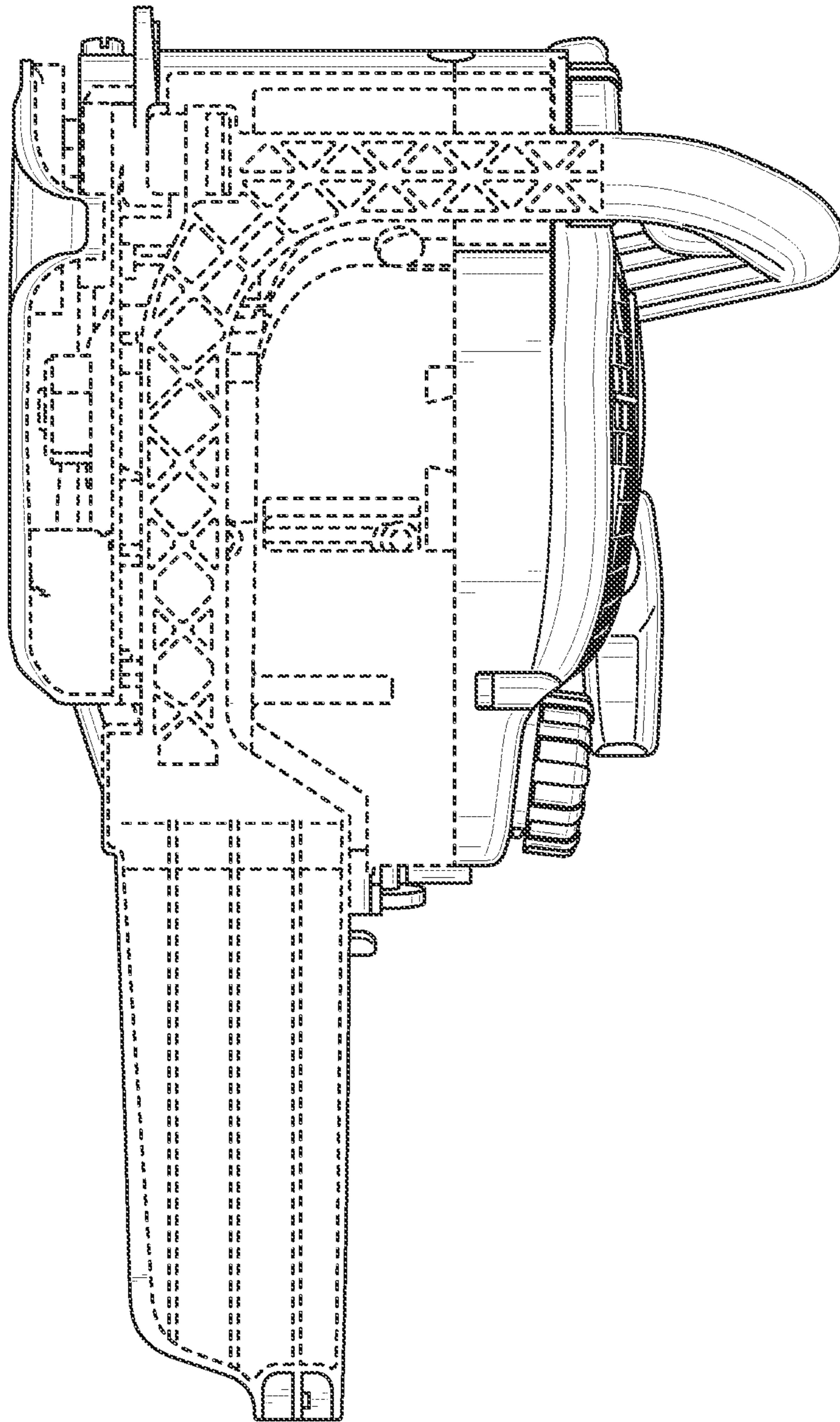


FIG. 7