



US00D744306S

(12) **United States Design Patent**
Peirce et al.

(10) **Patent No.:** **US D744,306 S**
(45) **Date of Patent:** **** Dec. 1, 2015**

(54) **PLIERS WITH TRIGGER**

(56) **References Cited**

(71) Applicant: **AGS I-PROP, LLC**, Muskegon, MI (US)

U.S. PATENT DOCUMENTS

(72) Inventors: **John M. Peirce**, Portage, MI (US);
Logan D. Pitts, North Muskegon, MI (US)

389,666 A 9/1888 Reagan
726,013 A 4/1903 Aue
988,656 A 4/1911 Peck
1,106,518 A 8/1914 Matti

(Continued)

(73) Assignee: **AGS I-PROP, LLC**, Muskegon, MI (US)

FOREIGN PATENT DOCUMENTS

(**) Term: **14 Years**

DE 871579 3/1953
DE 29816558 11/1997

(Continued)

(21) Appl. No.: **29/484,437**

OTHER PUBLICATIONS

(22) Filed: **Mar. 10, 2014**

Taiwan IPO Search Report dated Mar. 18, 2013 for Taiwan Design Patent Application No. 101303500.

(Continued)

Related U.S. Application Data

(62) Division of application No. 29/424,807, filed on Jun. 15, 2012, now Pat. No. Des. 707,514.

Primary Examiner — Robert M Spear

Assistant Examiner — Eliza Bennett-Hattan

(30) **Foreign Application Priority Data**

Dec. 16, 2011 (EM) 001963901-0001

(51) **LOC (10) Cl.** **08-05**

(52) **U.S. Cl.**
USPC **D8/52**

(58) **Field of Classification Search**

USPC D8/51, 4, 52; 81/389, 409.5, 385, 377,
81/370, 367, 366, 361, 365, 360, 356, 355,
81/334, 337, 338, 325, 320, 322, 319, 109,
81/91.1, 3.44, 138, 9.44, 423
CPC B25B 13/22; B25B 13/12; B25B 13/18;
B25B 7/12; B25B 7/02; B25B 13/14; B25B
13/16; B25B 7/00; B25B 7/10; B25B 13/28;
B25B 27/005; B25B 7/18; B25B 7/22; B25B
27/22; B25B 5/003; B25B 7/08

See application file for complete search history.

(74) *Attorney, Agent, or Firm* — Gardner, Linn, Burkhardt & Flory, LLP

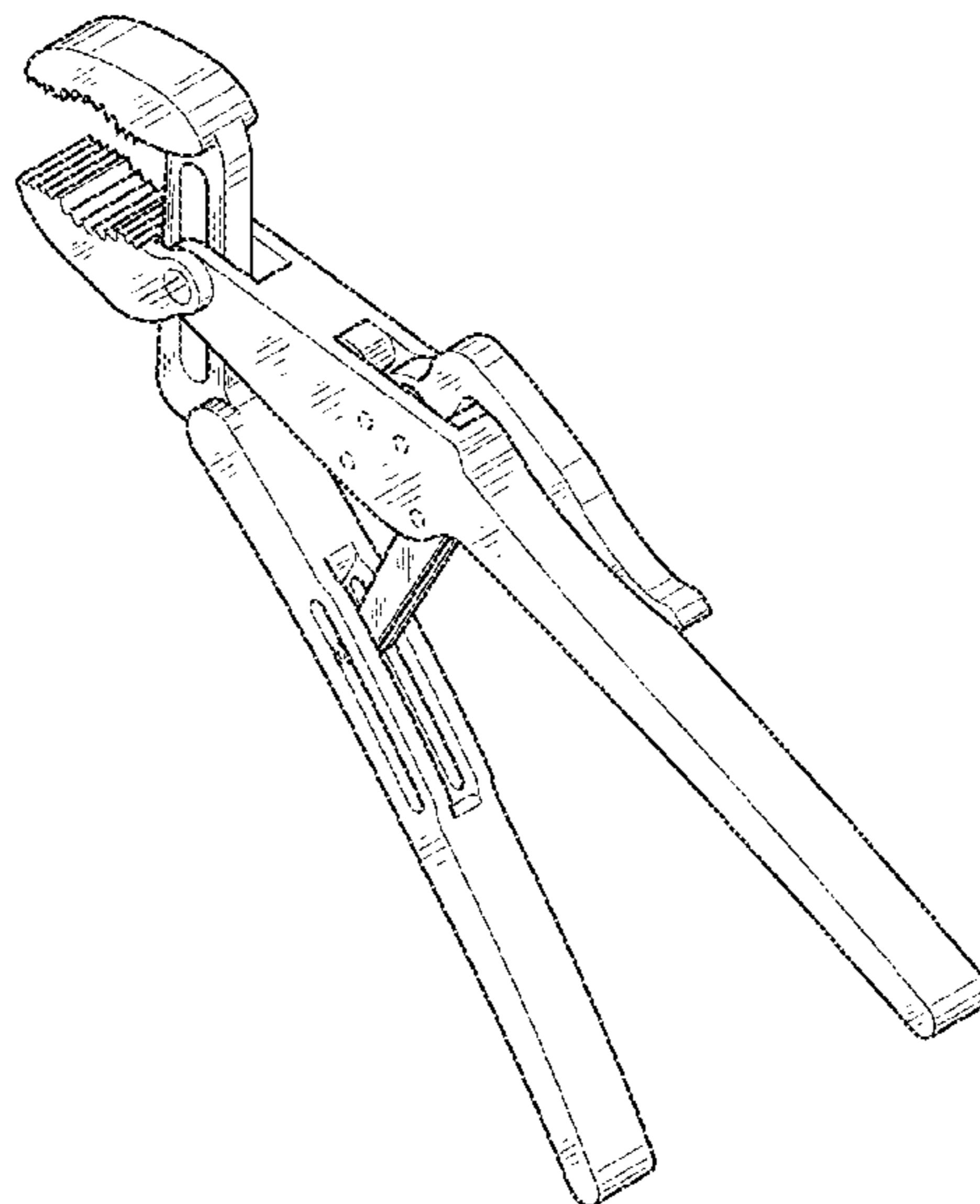
(57) **CLAIM**

The ornamental design for a pliers with trigger, as shown and described.

DESCRIPTION

FIG. 1 is a perspective view of a pliers with trigger in accordance with the present invention;
FIG. 2 is a side elevation thereof;
FIG. 3 is an opposite side elevation thereof;
FIG. 4 is an end elevation thereof;
FIG. 5 is an opposite end elevation thereof;
FIG. 6 is a top plan view thereof; and,
FIG. 7 is a bottom plan view thereof.

1 Claim, 7 Drawing Sheets



(56)

References Cited

U.S. PATENT DOCUMENTS

1,508,510 A 9/1924 Edwards
 1,534,218 A 4/1925 Jones
 1,867,912 A 2/1931 Evey
 2,595,368 A 5/1952 Plautz
 2,913,943 A 11/1959 Carlson et al.
 3,142,212 A 7/1964 Grape
 3,222,958 A 12/1965 Houdesheldt
 3,575,064 A 4/1971 Stevinson
 3,657,949 A 4/1972 Myers
 3,862,776 A 1/1975 Sims et al.
 D297,802 S * 9/1988 Himbert et al. D8/52
 4,893,530 A 1/1990 Warheit
 D343,779 S * 2/1994 Imhoff D8/52
 5,660,089 A 8/1997 Chow
 5,964,130 A 10/1999 Wang
 6,026,716 A 2/2000 Orlosky
 6,065,376 A 5/2000 Khachatoorian
 6,116,124 A 9/2000 Ping
 D431,435 S 10/2000 McCalla et al.
 6,155,142 A 12/2000 Bally et al.
 D457,040 S * 5/2002 Hirschfeld D8/4

7,313,989 B1 1/2008 Tortolani, Jr.
 D610,417 S * 2/2010 Robinson et al. D8/52
 8,122,792 B2 2/2012 Engvall et al.
 D679,158 S * 4/2013 Schleiminger et al. D8/52
 2009/0056510 A1 3/2009 Buchanan et al.
 2009/0178518 A1 7/2009 Buchanan et al.

FOREIGN PATENT DOCUMENTS

GB	118585	10/1901
GB	844490	1/1958
GB	2072081	9/1981
JP	09001468	6/1995
JP	D1104866	3/2001
TW	M250769	2/1993
TW	301268	3/1997
TW	D134807	5/2010

OTHER PUBLICATIONS

Taiwan IPO Search Report dated Mar. 19, 2013 for Taiwan Design Patent Application No. 101303501.

* cited by examiner

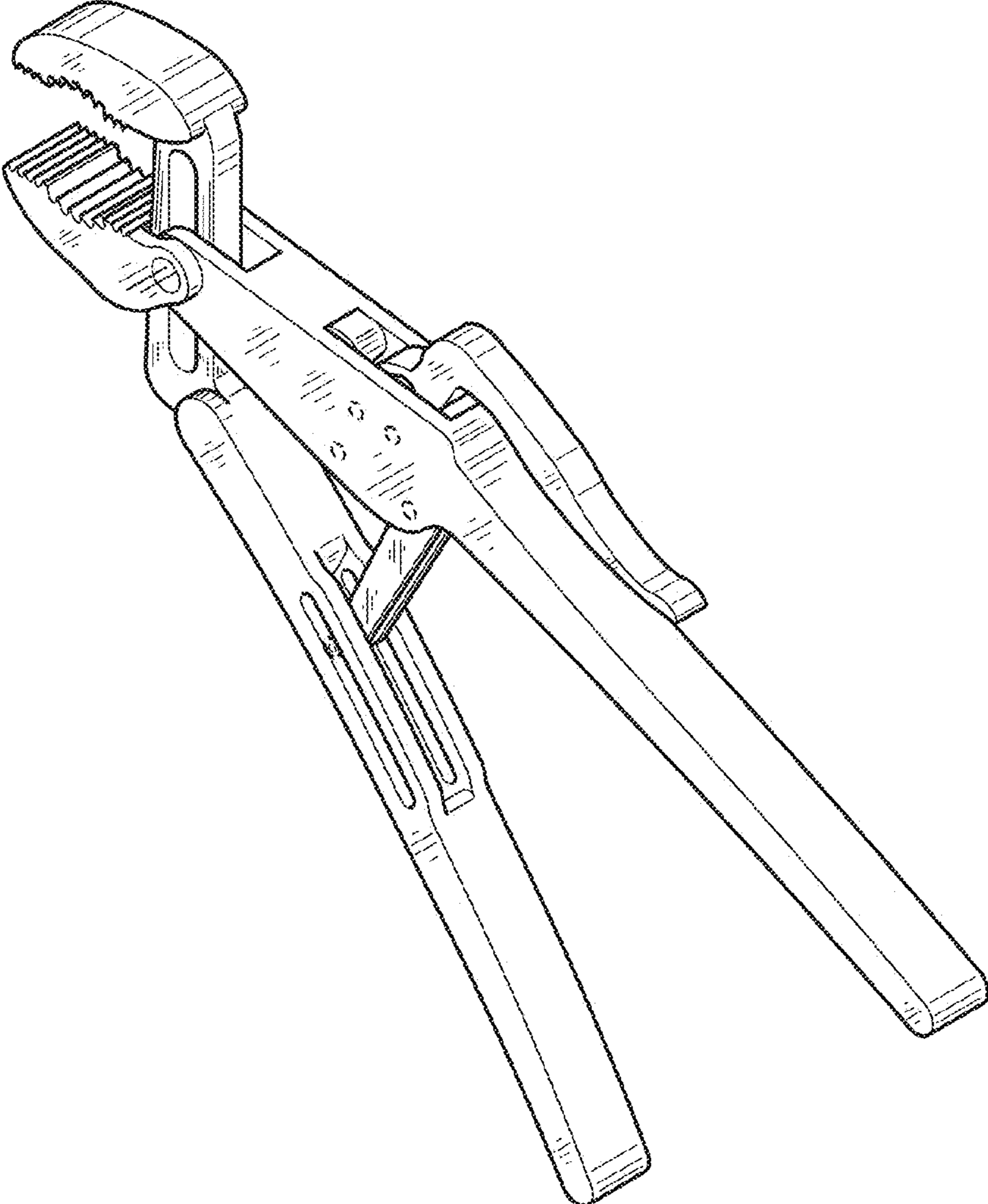


FIG. 1

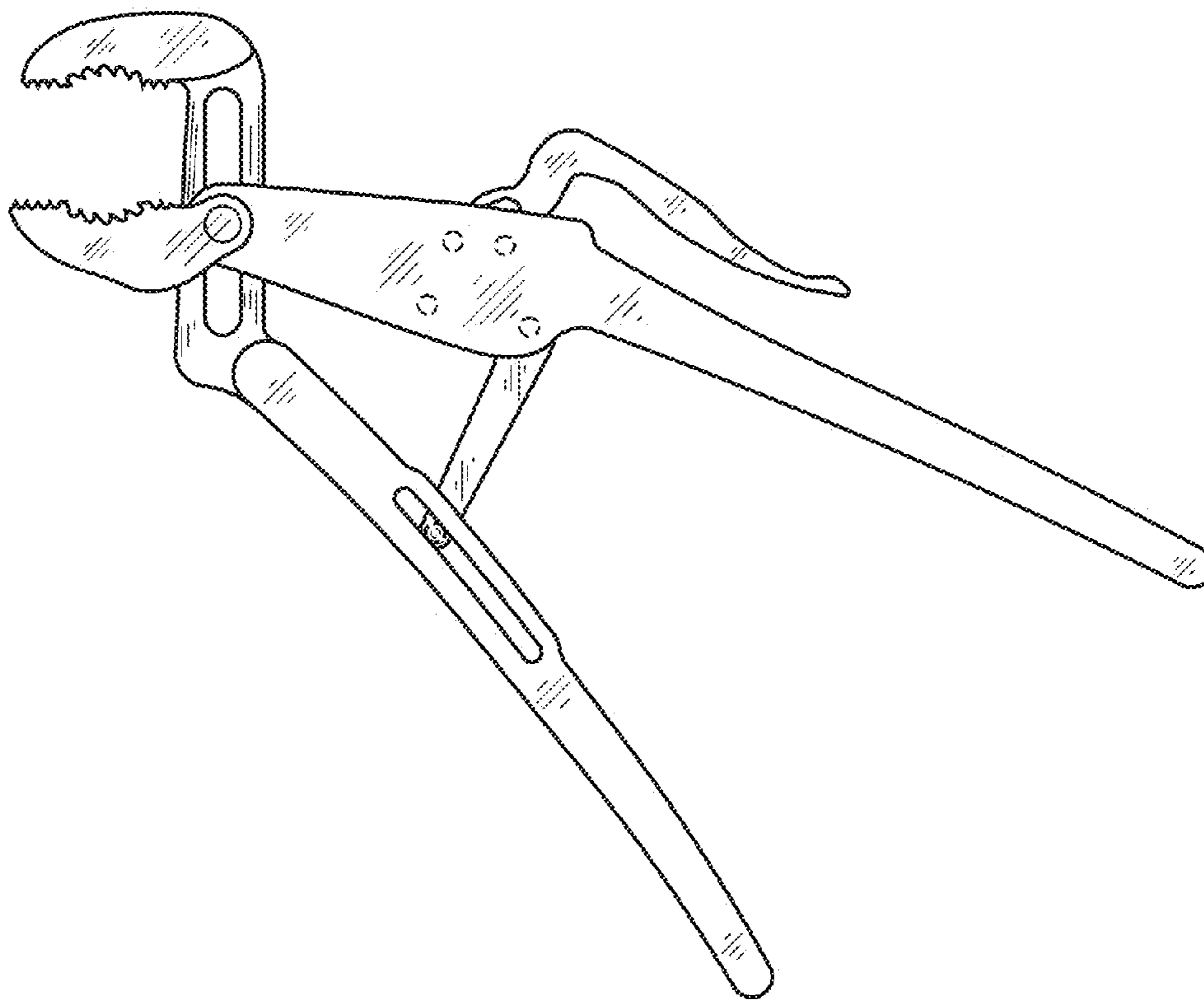


FIG. 2

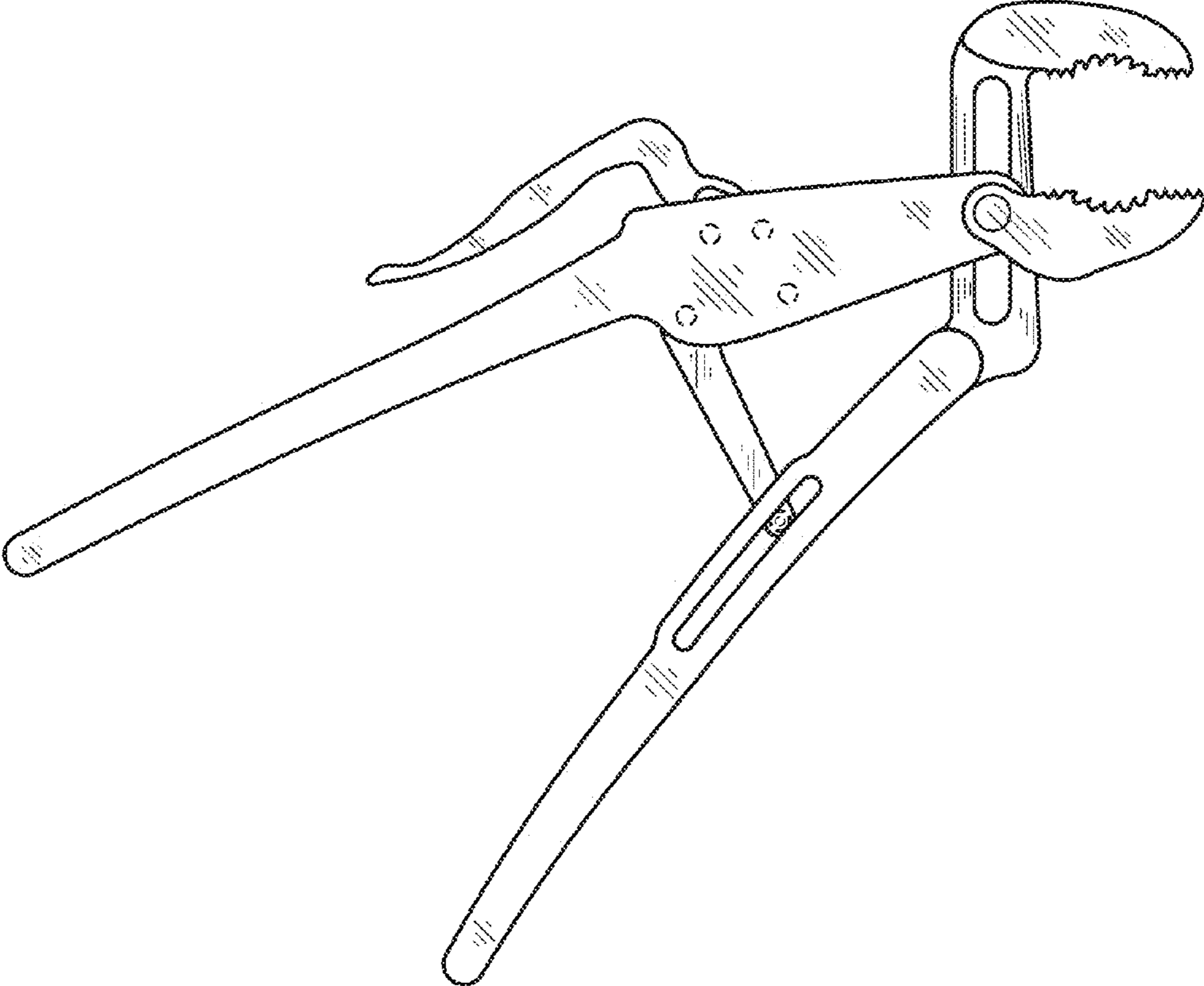


FIG. 3

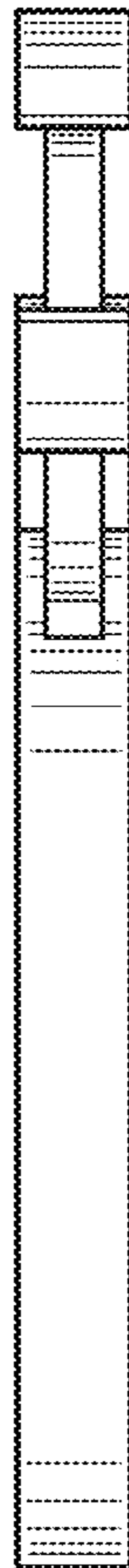


FIG. 4



FIG. 5



FIG. 6



FIG. 7