



US00D744304S

(12) **United States Design Patent**
Dockery et al.

(10) **Patent No.:** **US D744,304 S**
(45) **Date of Patent:** **** Dec. 1, 2015**

- (54) **HANGER CLIP INSTALLATION TOOL**
- (71) Applicant: **Doc's Marketing Corp**, Simi Valley, CA (US)
- (72) Inventors: **Forrest Dockery**, Simi Valley, CA (US); **Ricardo Ochoa**, Moorpark, CA (US)
- (73) Assignee: **Doc's Marketing Corp**, Simi Valley, CA (US)

5,363,525 A * 11/1994 Andreasen 7/138
 5,379,809 A * 1/1995 Waulk 140/118
 5,439,338 A 8/1995 Rosenberg
 5,507,209 A 4/1996 Allen et al.

(Continued)

- (**) Term: **14 Years**
- (21) Appl. No.: **29/496,841**

- (22) Filed: **Jul. 17, 2014**
- (51) **LOC (10) Cl.** **08-03**
- (52) **U.S. Cl.**
USPC **D8/14**
- (58) **Field of Classification Search**
USPC D8/14, 21, 70, 51; D15/140
CPC E04B 9/18; B21F 1/00; B21F 1/008;
H01R 43/033
See application file for complete search history.

OTHER PUBLICATIONS

Lagmaster A+, Distributed by Doc's Marketing, plug-in head product catalog, Lagmaster A+ is the versatile tool with interchangeable heads, 2 pages, no date available.

(Continued)

Primary Examiner — Phillip S Hyder

(74) *Attorney, Agent, or Firm* — Dinsmore & Shohl LLP; Ernest I. Gifford

(57) **CLAIM**

I claim the ornamental design for a hanger clip installation tool, as shown and described.

DESCRIPTION

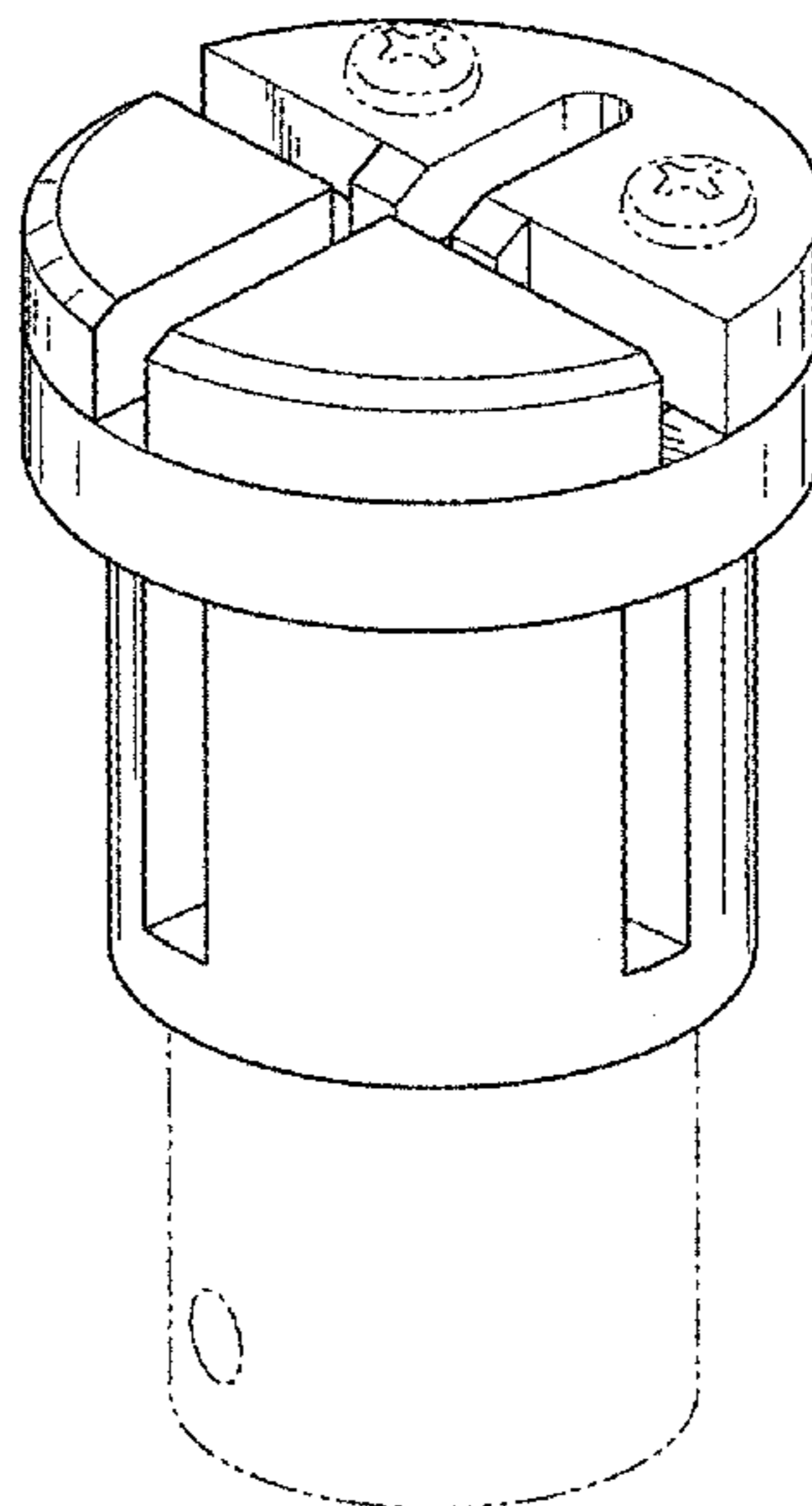
FIG. 1 is a perspective view of an embodiment of the hanger clip installation tool according to the design, with the elements in phantom forming no part of the claimed design; FIG. 2 is a right side planar view of the design, with the elements in phantom forming no part of the claimed design; FIG. 3 is a front planar view of the design, with the elements in phantom forming no part of the claimed design; FIG. 4 is a rear planar view of the design, with the elements in phantom forming no part of the claimed design; FIG. 5 is a left side planar view of the design, with the elements in phantom forming no part of the claimed design; FIG. 6 is a top planar view of the design, with the elements in phantom forming no part of the claimed design; and, FIG. 7 is a bottom planar view of the design, with the elements in phantom forming no part of the claimed design.

(56) **References Cited**

U.S. PATENT DOCUMENTS

| | | | |
|---------------|---------|-----------------|---------|
| 1,320,181 A | 10/1919 | Smith | |
| 1,417,683 A | 5/1922 | Parsons | |
| 2,670,963 A | 3/1954 | Osborn | |
| 3,168,118 A * | 2/1965 | Holman | 140/118 |
| 4,111,242 A * | 9/1978 | Jacobson et al. | 140/124 |
| 4,413,660 A | 11/1983 | Conrad | |
| 4,689,881 A | 9/1987 | Fall | |
| 4,694,869 A * | 9/1987 | Wolford et al. | 140/119 |
| 4,724,731 A | 2/1988 | Onofrio | |
| 5,012,624 A | 5/1991 | Dahlgren | |
| 5,102,624 A * | 4/1992 | Muraishi | 422/64 |
| 5,154,104 A | 10/1992 | O | |

1 Claim, 3 Drawing Sheets



(56)

References Cited

U.S. PATENT DOCUMENTS

| | | | | |
|-----------|------|---------|------------------|----------|
| 5,809,851 | A | 9/1998 | Thompson | |
| 6,155,576 | A | 12/2000 | Yorde | |
| 6,729,358 | B1 * | 5/2004 | Moffatt | 140/118 |
| 6,786,116 | B2 | 9/2004 | Dockery | |
| 7,069,820 | B2 * | 7/2006 | Goacher, Sr. | 81/124.2 |
| 7,104,287 | B1 * | 9/2006 | Schmitz | 140/118 |
| 7,578,318 | B2 * | 8/2009 | Christian | 140/118 |
| D656,805 | S * | 4/2012 | Baumann | D8/70 |
| D684,833 | S * | 6/2013 | Baumann | D8/70 |
| 8,671,805 | B2 * | 3/2014 | Henderson et al. | 81/124.2 |

OTHER PUBLICATIONS

Lagmaster, Hanging Chain, Distributed by Doc's Marketing, Product catalog, 1 page, no date available.

Lagmaster, Distributed by Doc's Marketing, Product Catalog, Hanging Wire, 1 page, no date available.

Lagmaster Plus, Product Catalog, Distributed by Doc's Marketing, 4 pages, no date available.

* cited by examiner

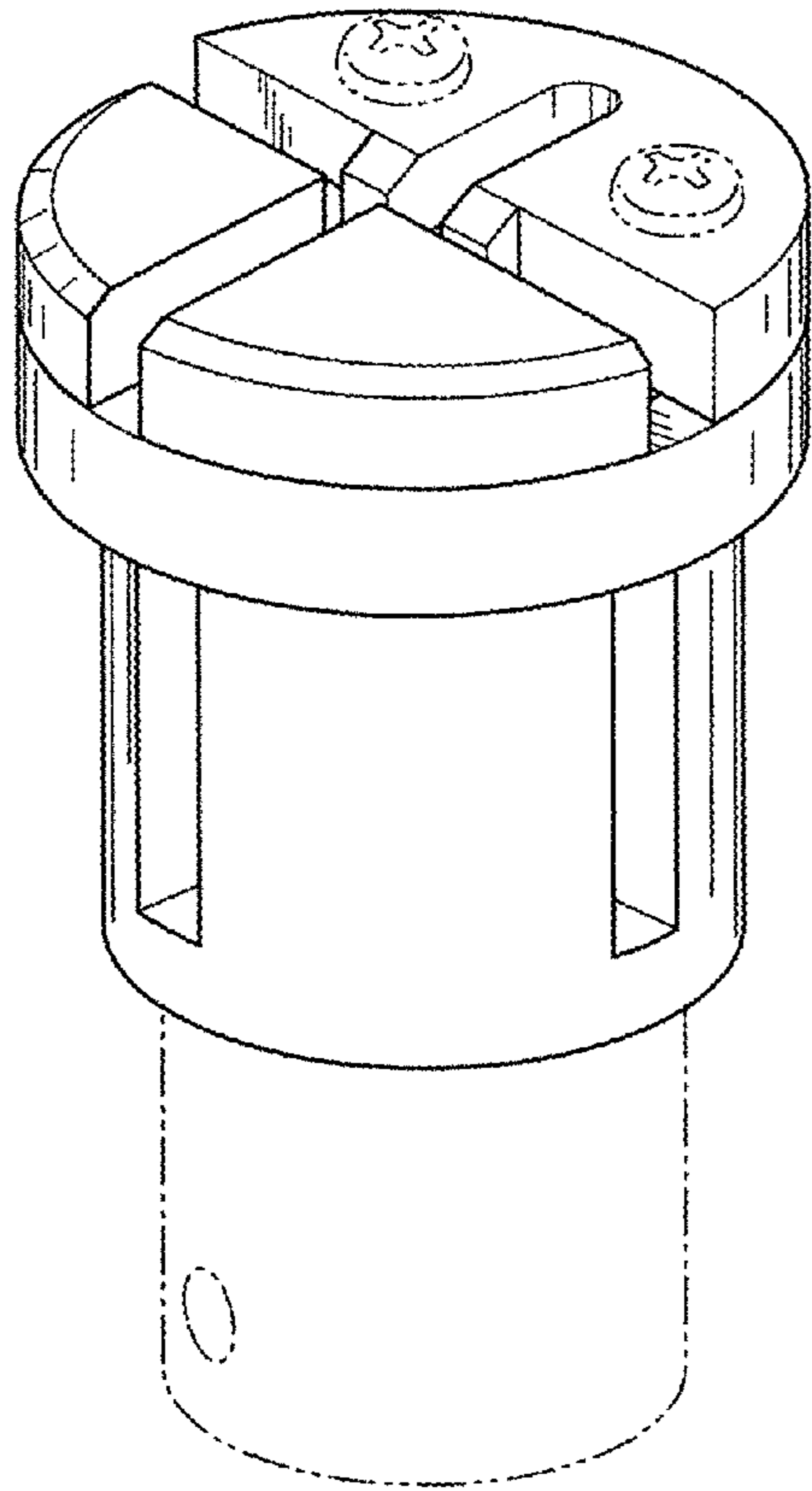


FIG. 1

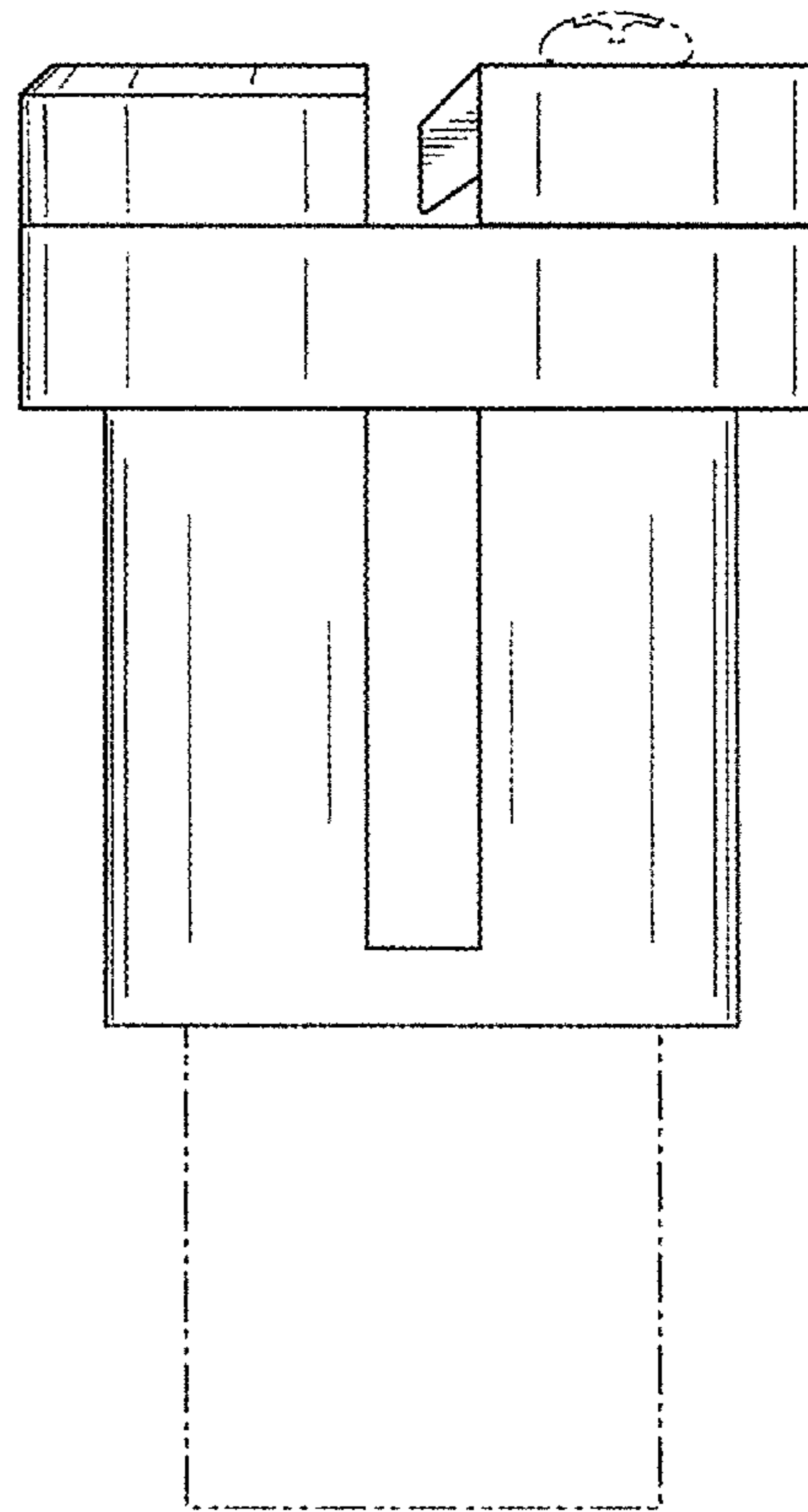


FIG. 2

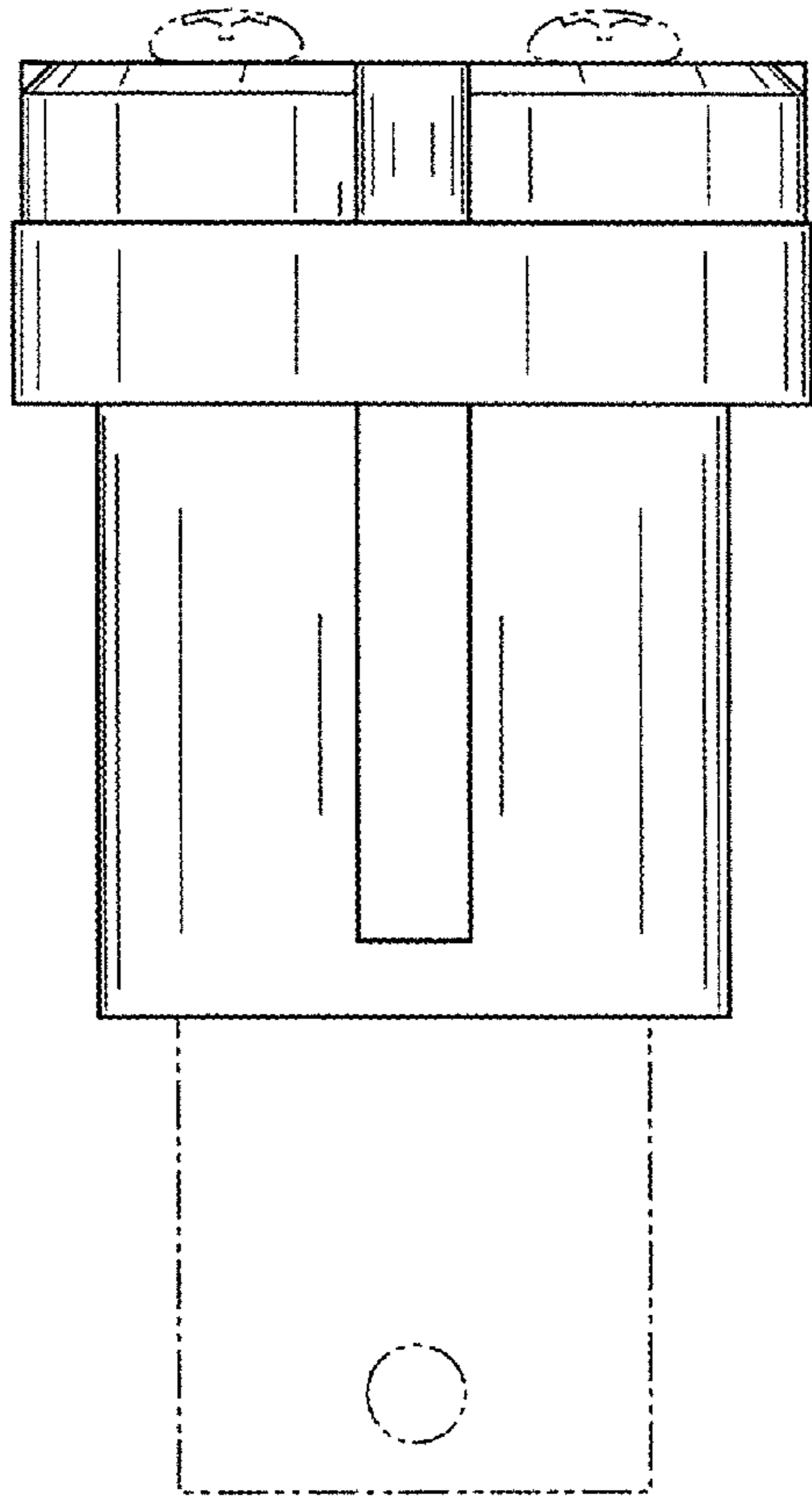


FIG. 3

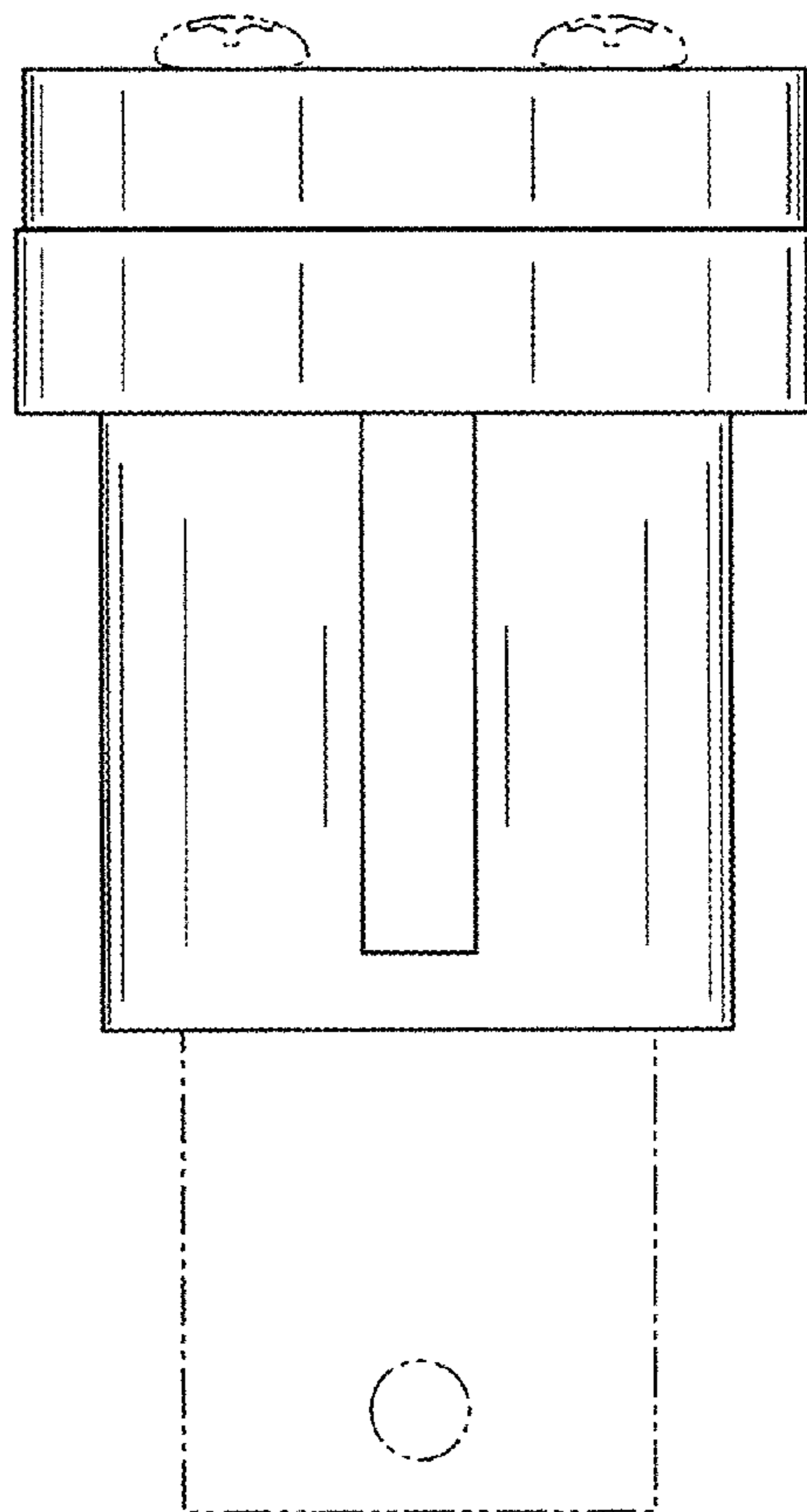


FIG. 4

FIG. 5

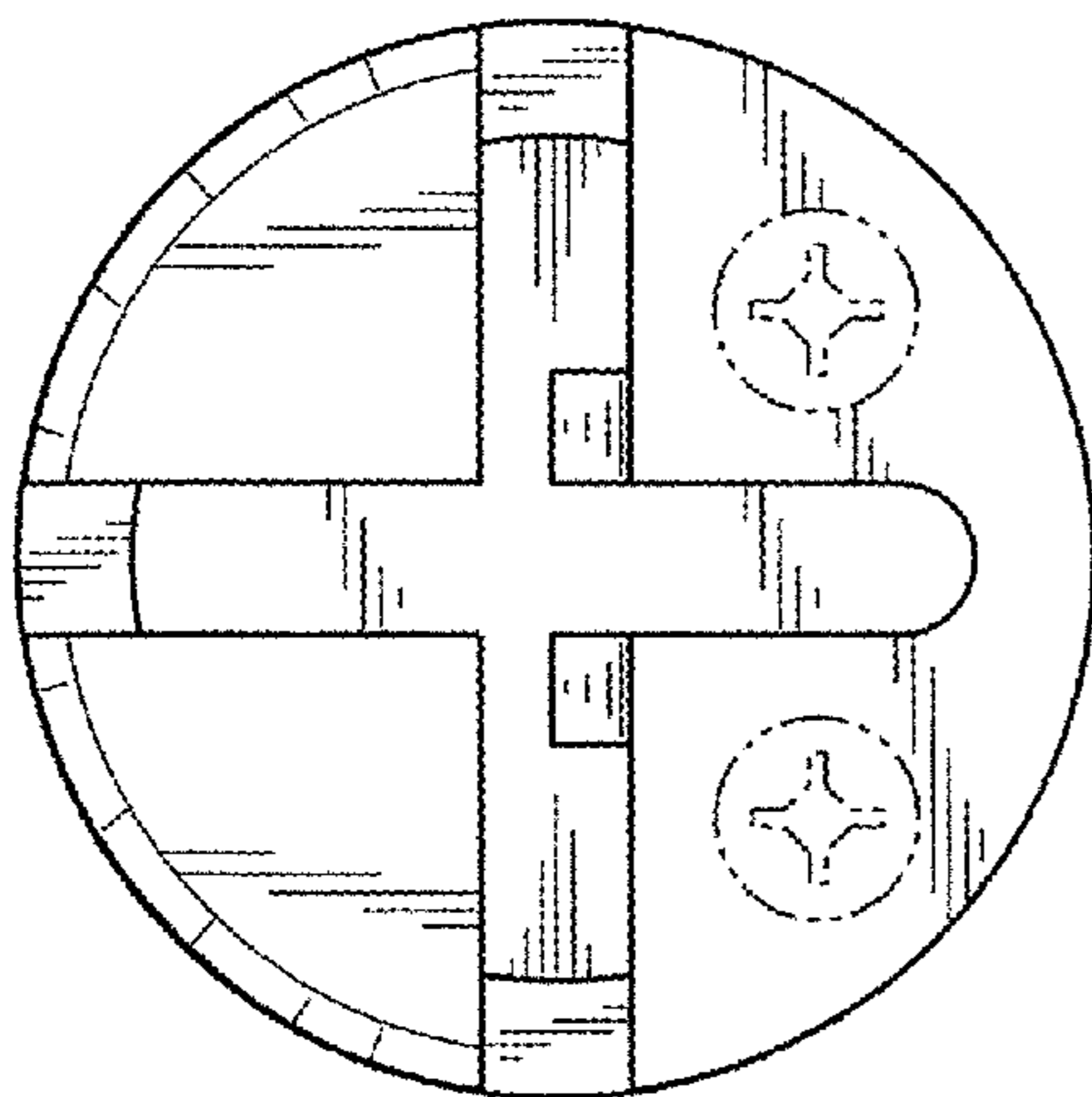
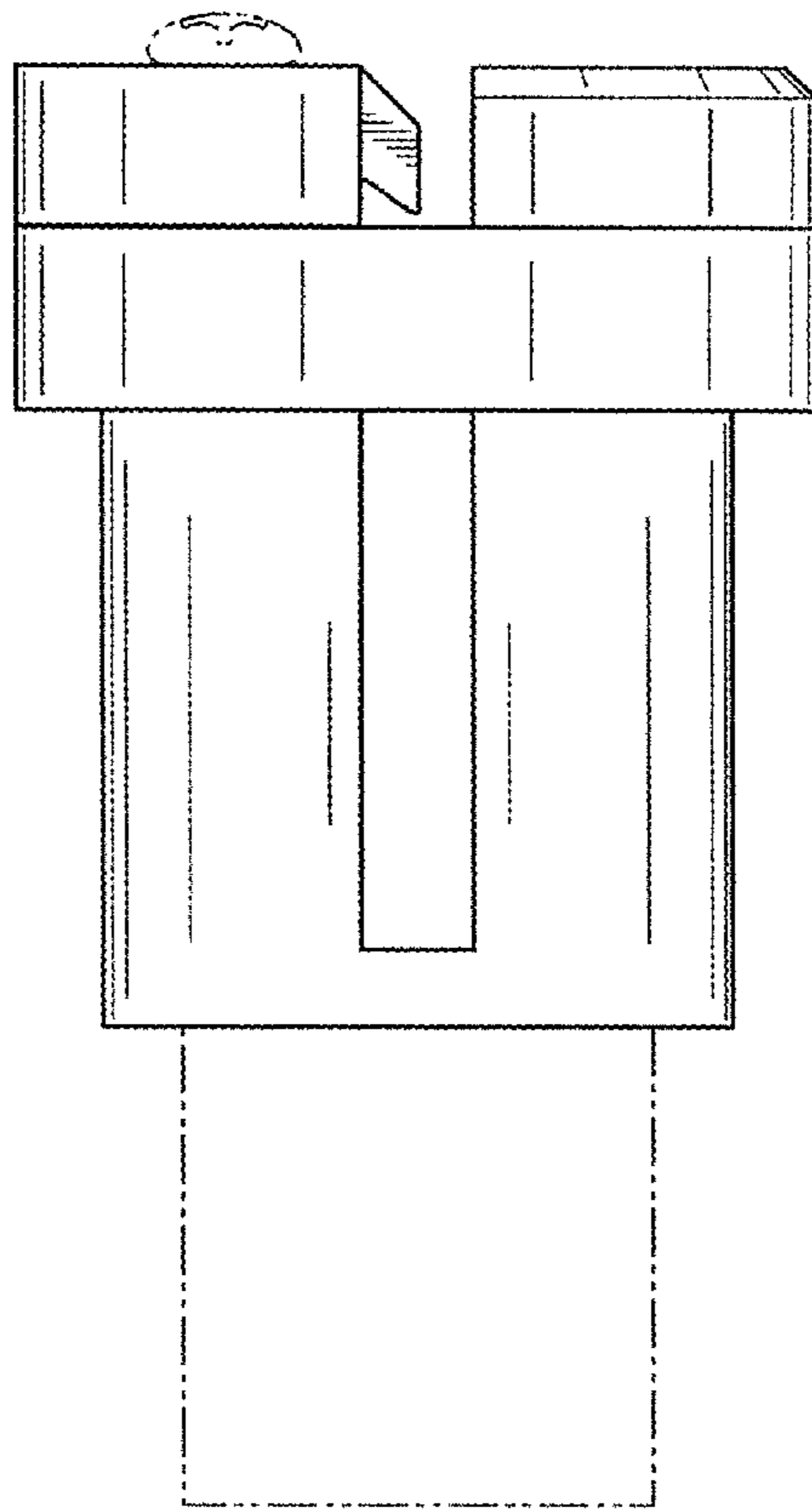


FIG. 6

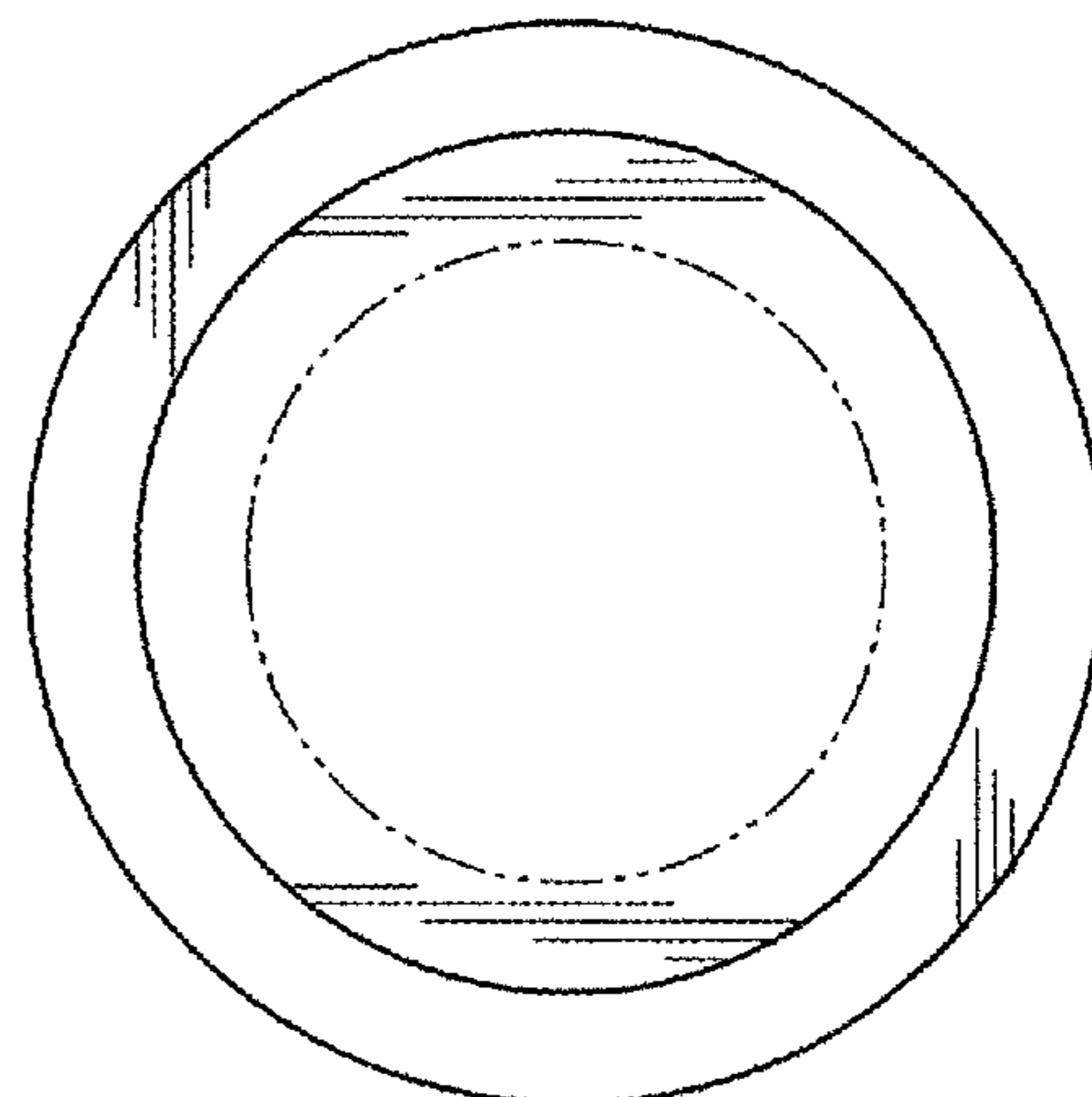


FIG. 7