



US00D744303S

(12) **United States Design Patent**  
**Marconi**

(10) **Patent No.:** **US D744,303 S**  
(45) **Date of Patent:** **\*\* Dec. 1, 2015**

(54) **HANDHELD PARTICULATE SPREADER**

(71) Applicant: **Fred Marconi**, Erieville, NY (US)

(72) Inventor: **Fred Marconi**, Erieville, NY (US)

(\*\*) Term: **14 Years**

(21) Appl. No.: **29/488,768**

(22) Filed: **Apr. 23, 2014**

(51) **LOC (10) Cl.** ..... **08-01**

(52) **U.S. Cl.**  
USPC ..... **D8/2; D15/13**

(58) **Field of Classification Search**  
USPC ..... D8/2; D15/13; 222/75, 324, 473, 175,  
222/630, 325, 465.1, 561; 239/650, 654,  
239/663, 686, 526, 375, 379, 652, 653, 683,  
239/154, 687, 668, 681; 406/98, 135  
CPC ... A01M 9/003; A01M 9/0007; A01M 9/038;  
A01M 9/0046; A01C 15/04; E01C 19/205;  
B65D 23/10; B65D 47/28; B65D 90/626;  
B65D 88/64; B65D 88/66; B65D 88/68  
See application file for complete search history.

(56) **References Cited**

**U.S. PATENT DOCUMENTS**

3,993,225 A \* 11/1976 Manni ..... 222/324  
5,119,993 A \* 6/1992 Gunzel et al. .... 239/654  
D327,823 S \* 7/1992 Demarest ..... D8/2  
D333,951 S \* 3/1993 Courtney et al. .... D8/2  
5,190,225 A \* 3/1993 Williams ..... 239/653  
5,409,166 A \* 4/1995 Gunzel et al. .... 239/142

D387,638 S \* 12/1997 DeLaby et al. .... D8/2  
5,934,573 A \* 8/1999 Weterrings et al. .... 239/650  
6,092,746 A \* 7/2000 Dillon ..... 239/683  
6,729,557 B2 \* 5/2004 Dillon ..... 239/152  
6,840,468 B2 \* 1/2005 Barnett ..... 239/654  
D534,044 S \* 12/2006 Zak ..... D8/2  
7,281,675 B2 \* 10/2007 Elrod et al. .... 239/663  
7,328,861 B2 \* 2/2008 Sagol et al. .... 239/687  
D701,737 S \* 4/2014 Poitras ..... D8/2  
2003/0222161 A1 \* 12/2003 Dillon ..... 239/650  
2006/0016918 A1 \* 1/2006 Sagol et al. .... 239/653  
2007/0034710 A1 \* 2/2007 Elrod et al. .... 239/146

\* cited by examiner

*Primary Examiner* — Mark Goodwin

(74) *Attorney, Agent, or Firm* — David L. Nocilly; Bond Schoeneck & King, PLLC

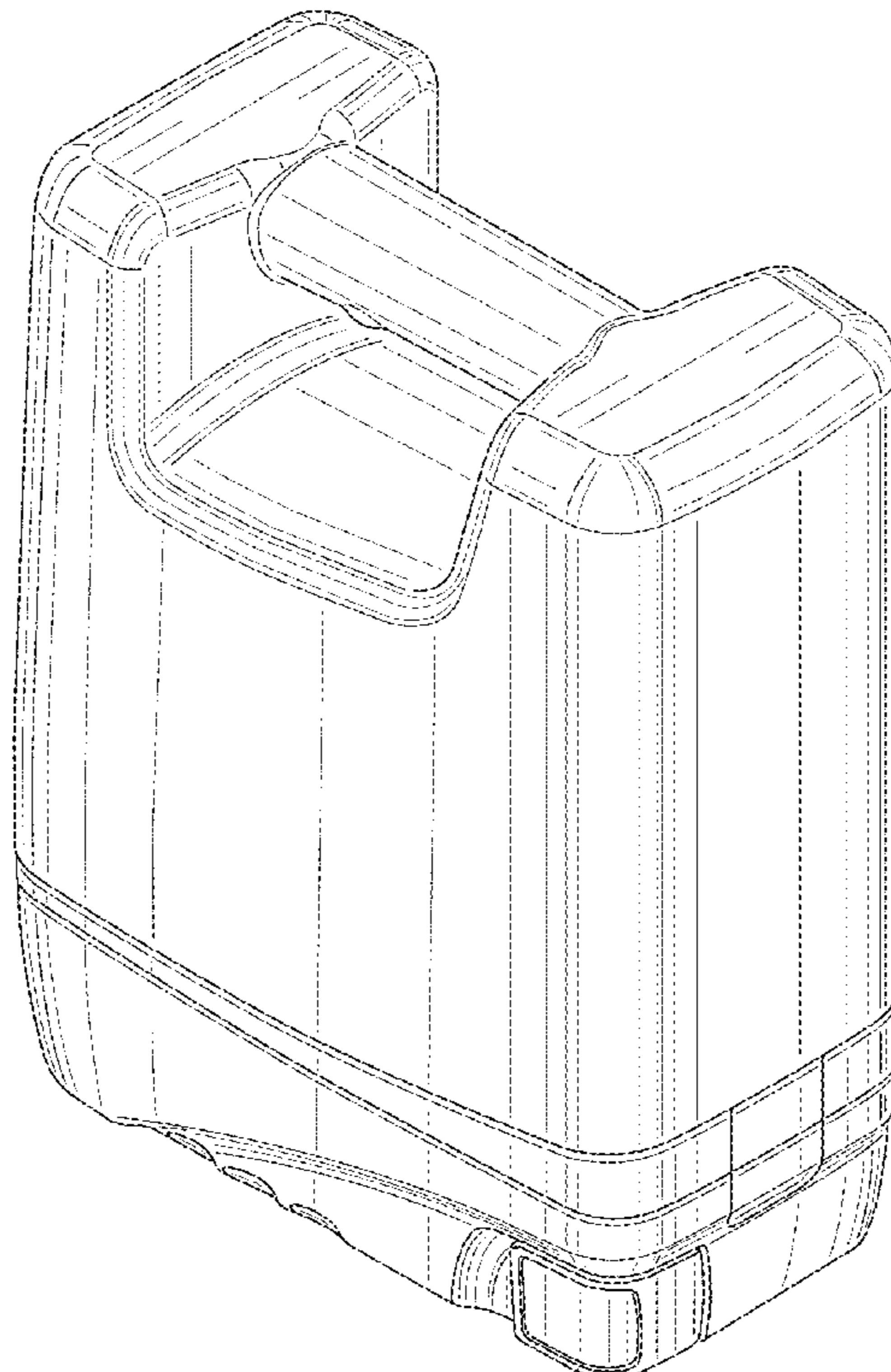
(57) **CLAIM**

The ornamental design for a handheld particulate spreader, as shown and described.

**DESCRIPTION**

FIG. 1 is a perspective view of a new and ornamental design for a handheld particulate spreader;  
FIG. 2 is a left side view thereof;  
FIG. 3 is a right side view thereof;  
FIG. 4 is a front view thereof;  
FIG. 5 is a rear view thereof;  
FIG. 6 is a top plan thereof; and,  
FIG. 7 is a bottom plan thereof.

**1 Claim, 7 Drawing Sheets**



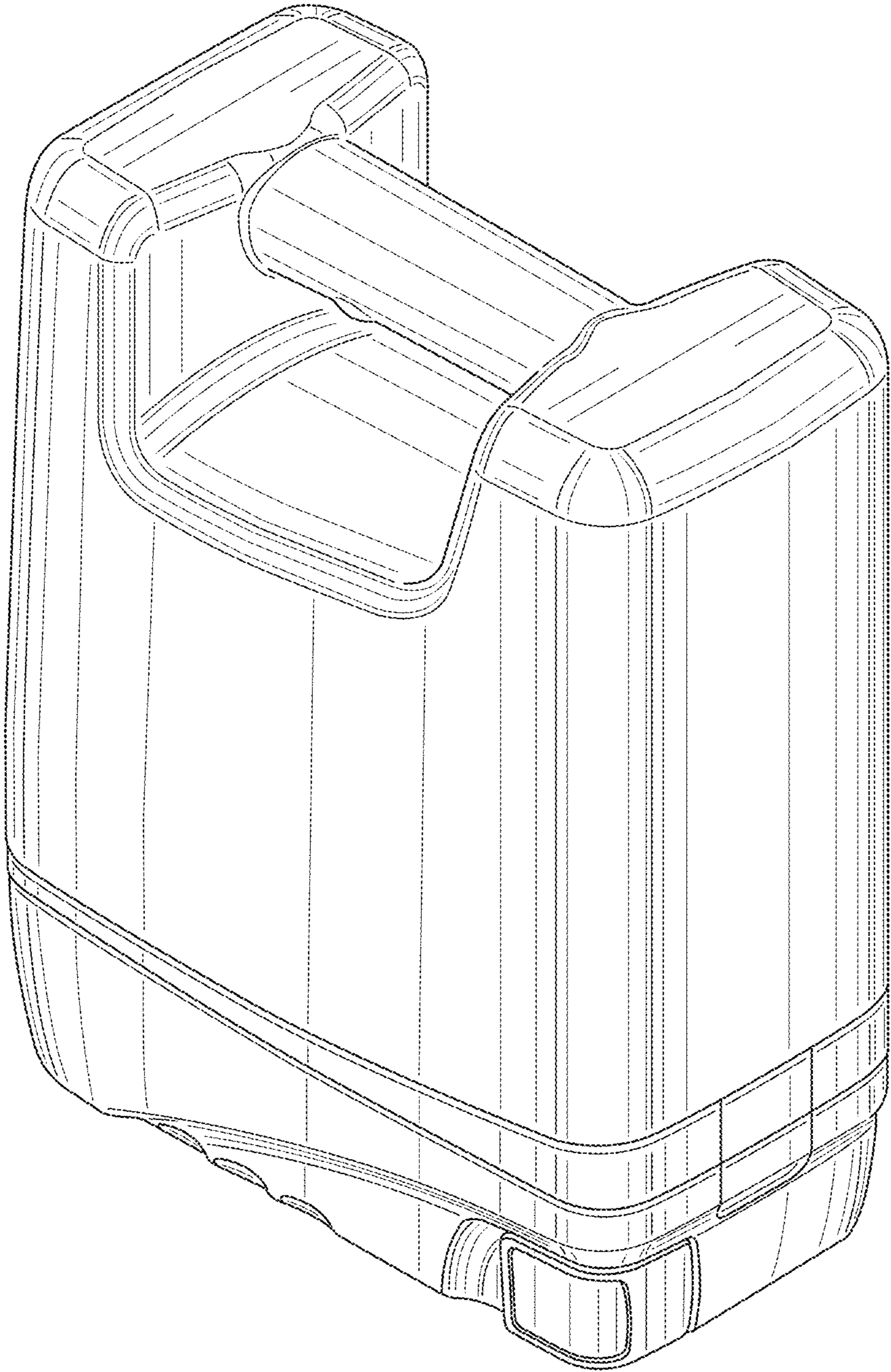


FIG. 1

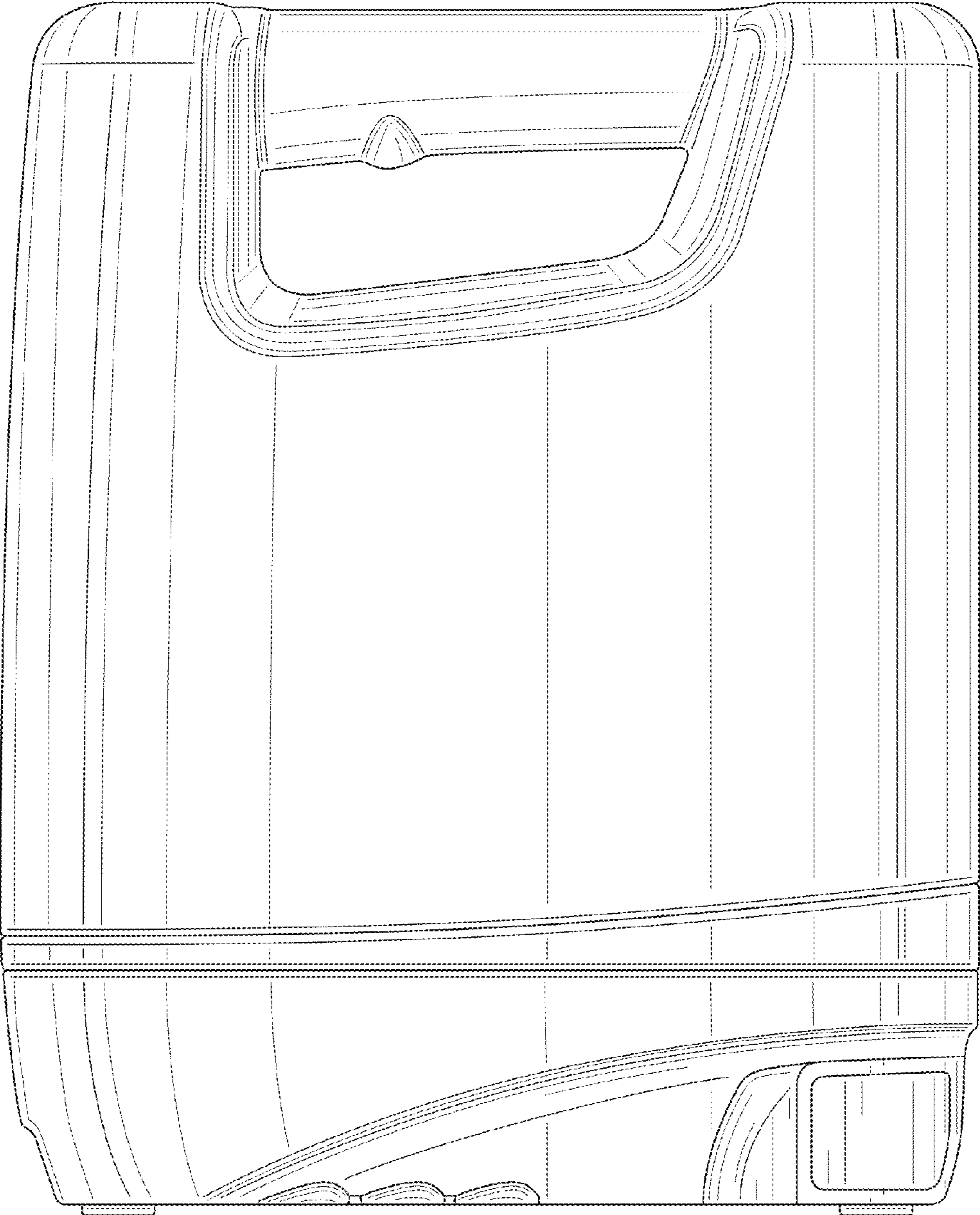


FIG. 2

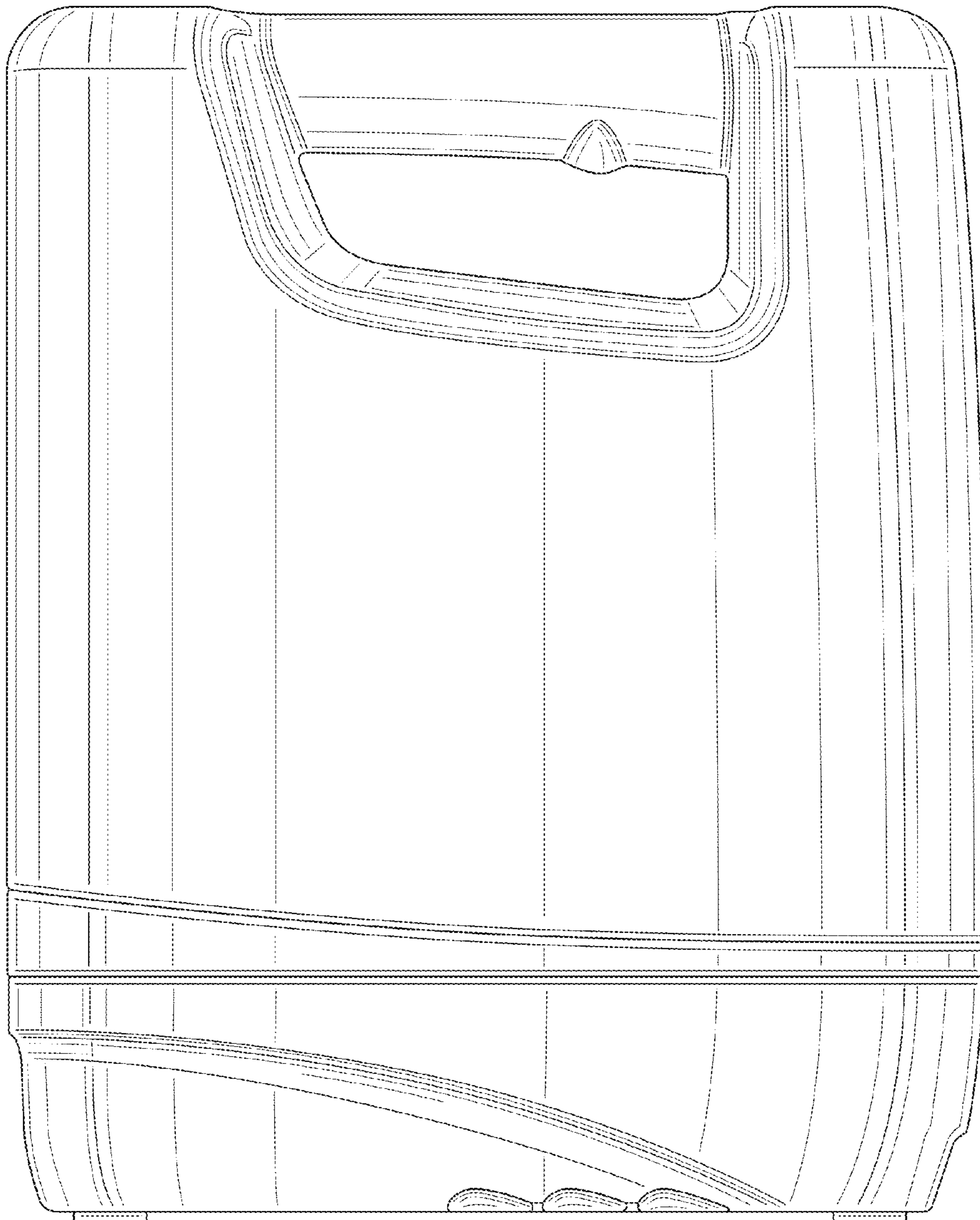


FIG. 3

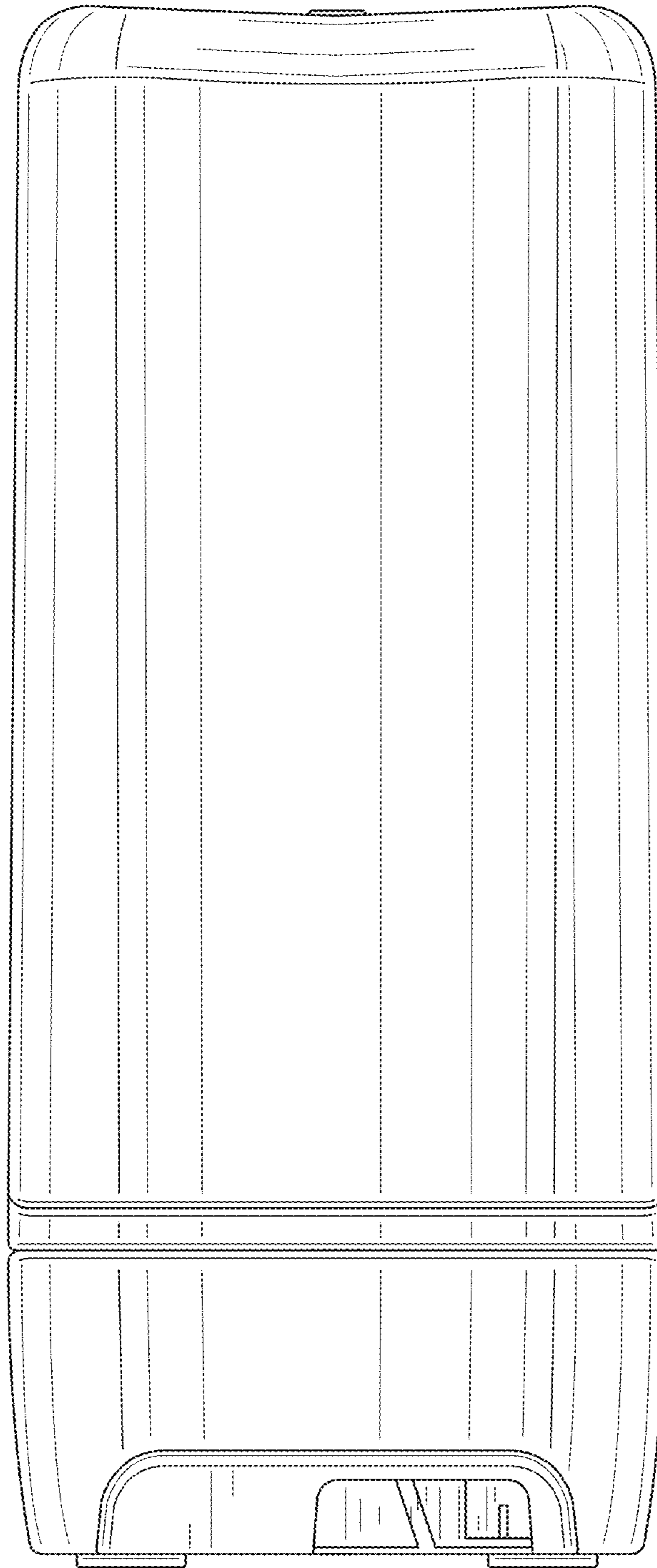


FIG. 4

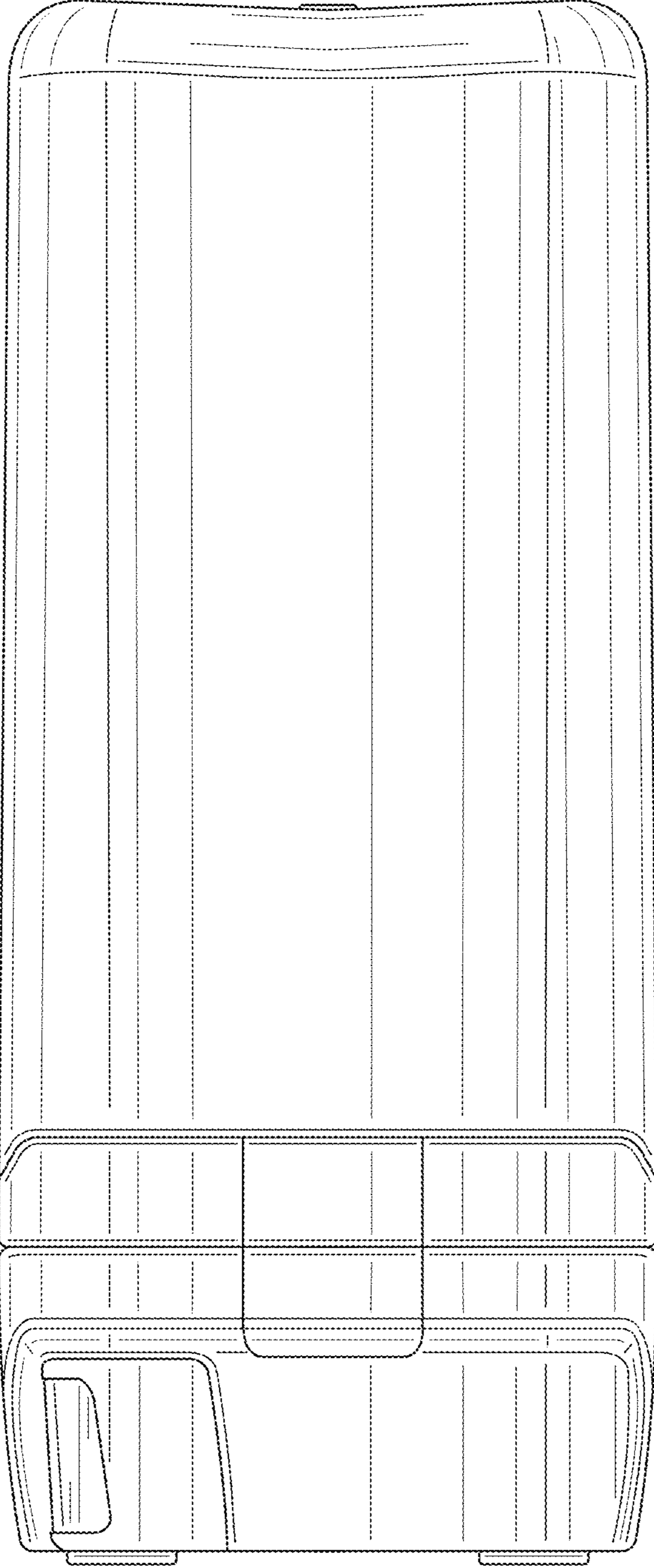


FIG. 5

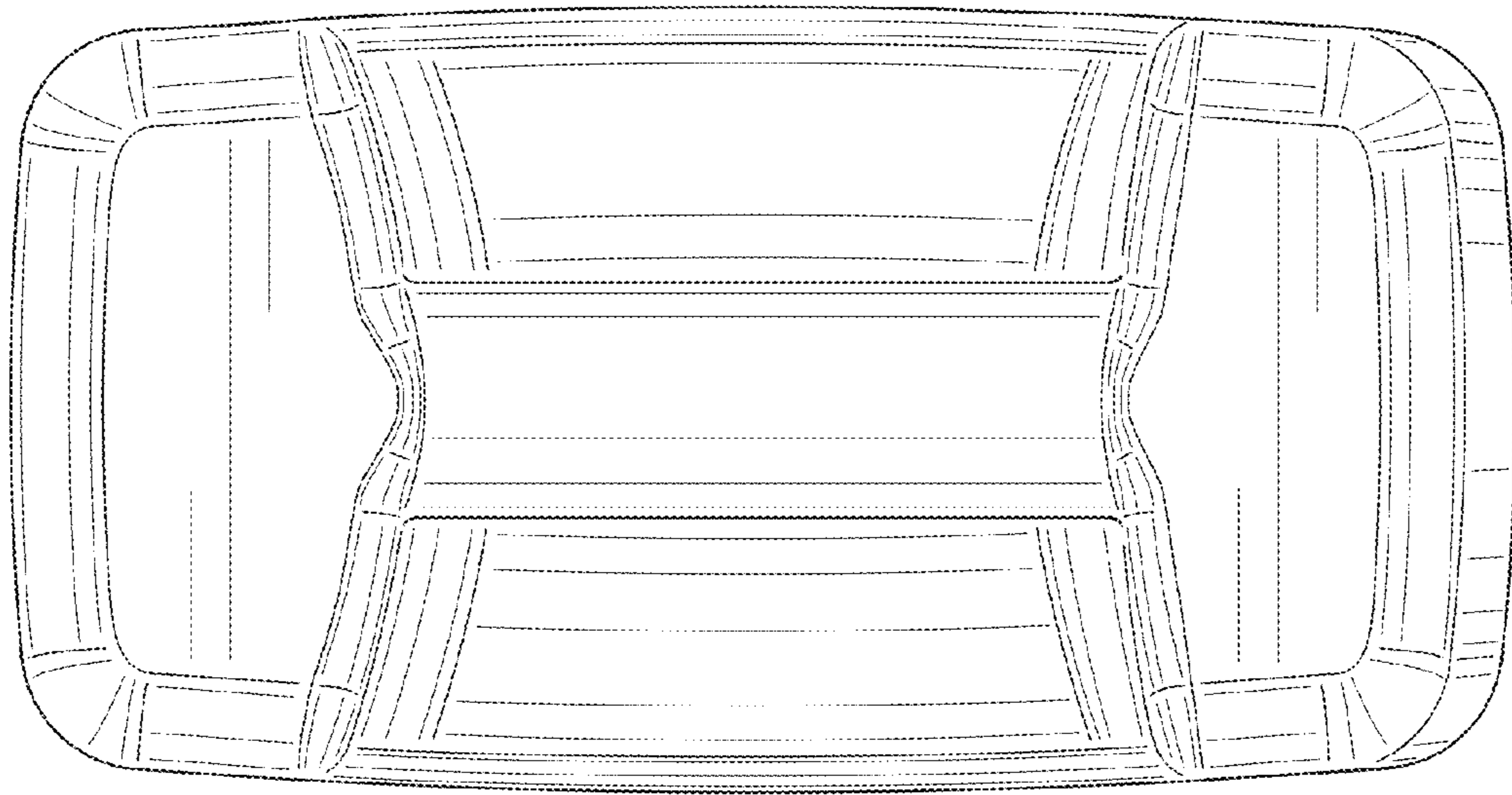


FIG. 6

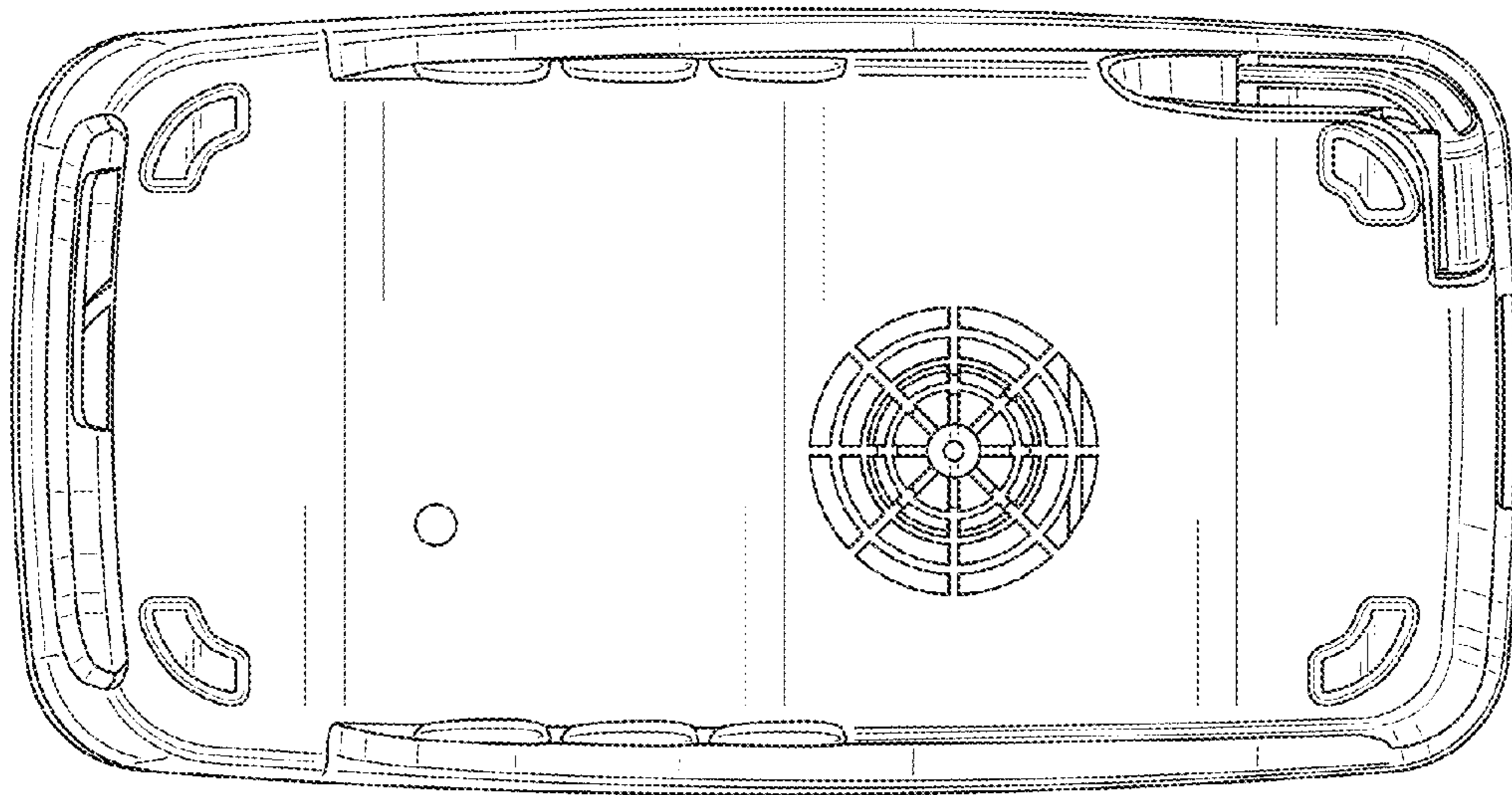


FIG. 7