

US00D744302S

(12) **United States Design Patent**
Westgard et al.

(10) **Patent No.:** **US D744,302 S**
(45) **Date of Patent:** **** Dec. 1, 2015**

- (54) **SIFTING IMPLEMENT**
- (71) Applicant: **Carl T. Westgard**, Golden, CO (US)
- (72) Inventors: **Carl T. Westgard**, Golden, CO (US);
Marc Hanchak, Denver, CO (US);
Shane Korthuis, Denver, CO (US)
- (73) Assignee: **Carl T. Westgard**, Golden, CO (US)
- (**) Term: **14 Years**
- (21) Appl. No.: **29/490,092**
- (22) Filed: **May 6, 2014**
- (51) **LOC (10) Cl.** **08-01**
- (52) **U.S. Cl.**
USPC **D8/1; D7/667**
- (58) **Field of Classification Search**
USPC D8/1, 14; D7/667, 368, 669; D15/147;
209/370, 419, 179, 352, 404, 413, 420,
209/417
CPC B07B 1/02; B07B 1/04
See application file for complete search history.

5,622,266 A	4/1997	Curtis	
D473,431 S *	4/2003	Schwamkrug	D7/665
D512,284 S *	12/2005	Massey	D8/1
D571,168 S	6/2008	Sais	
8,113,355 B1	2/2012	Peterson	
D666,086 S *	8/2012	Mundhra	D7/667
2005/0284309 A1 *	12/2005	de Groot	A47J 17/18 99/508

* cited by examiner

Primary Examiner — Terry Wallace
(74) *Attorney, Agent, or Firm* — Perkins Coie LLP

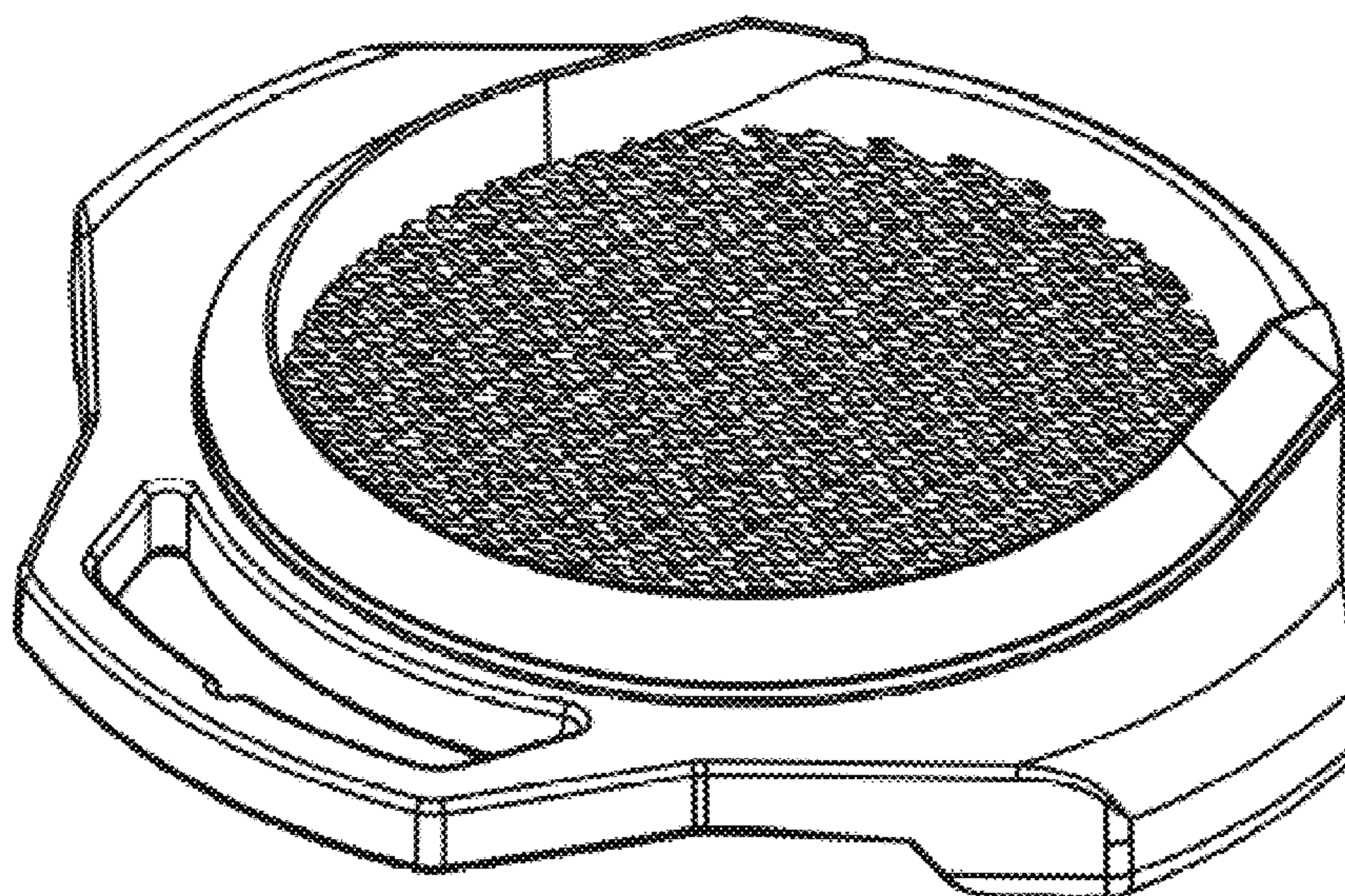
(57) **CLAIM**
The ornamental design for a sifting implement, as shown and described.

DESCRIPTION

FIG. 1 is a front isometric view of a sifting implement showing our new design.
FIG. 2 is a front elevation view thereof.
FIG. 3 is a back elevation view thereof.
FIG. 4 is a left side elevation view thereof.
FIG. 5 is a right side elevation view thereof.
FIG. 6 is a top plan view thereof; and,
FIG. 7 is a bottom plan view thereof.
Any broken lines in the Figures are for illustrative purposes only and form no part of the claimed design.

1 Claim, 7 Drawing Sheets

- (56) **References Cited**
U.S. PATENT DOCUMENTS
5,423,430 A 6/1995 Zaffiro et al.
D373,291 S 9/1996 Auker



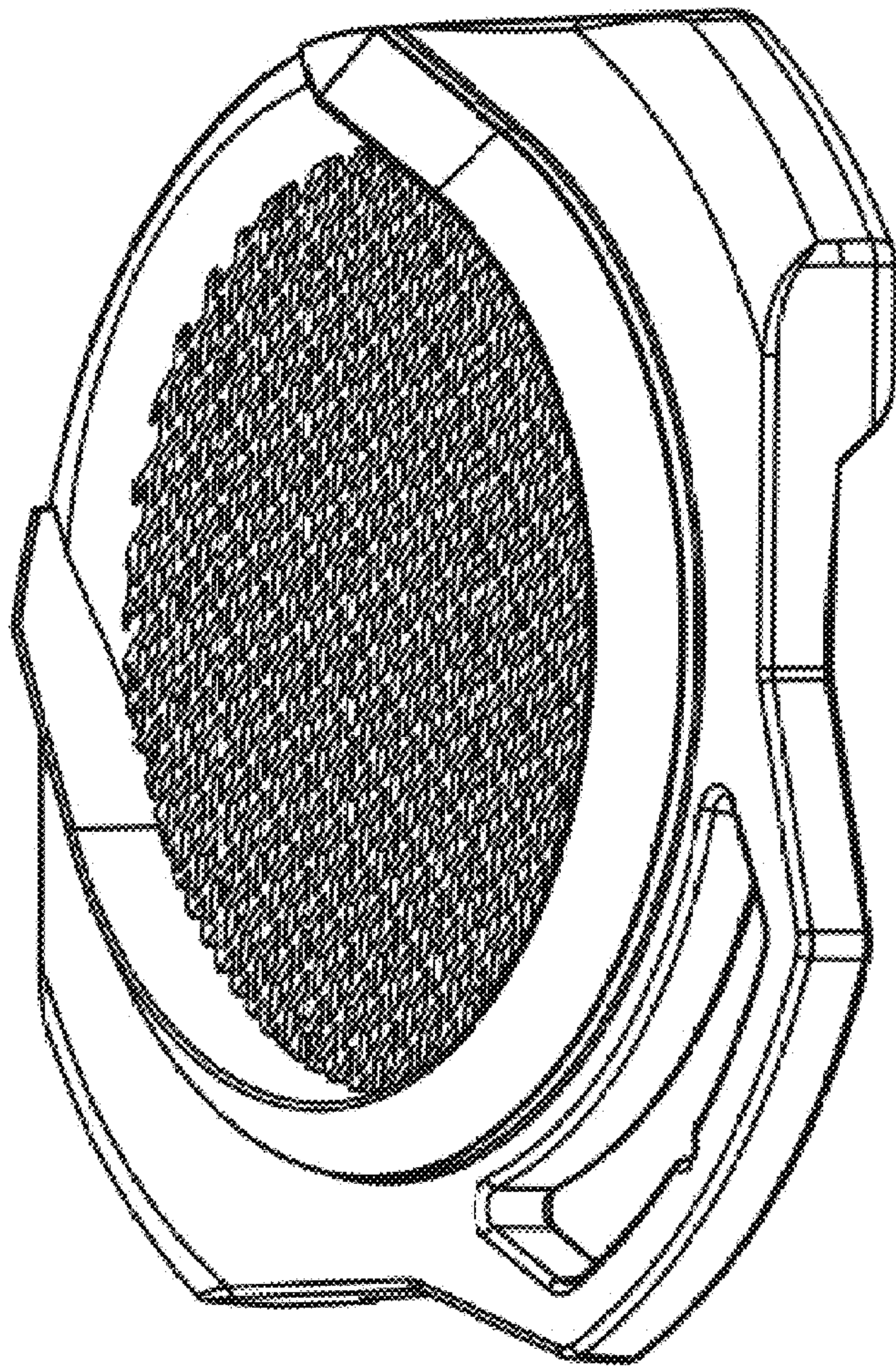


FIG. 1

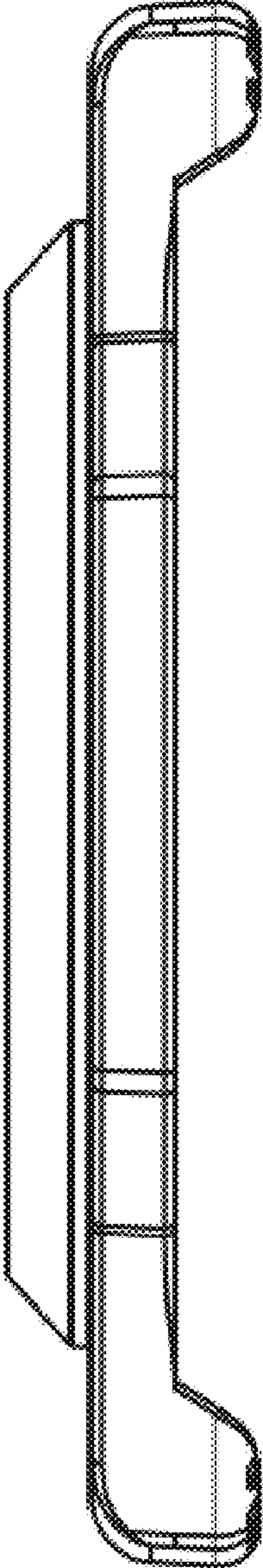


FIG. 2

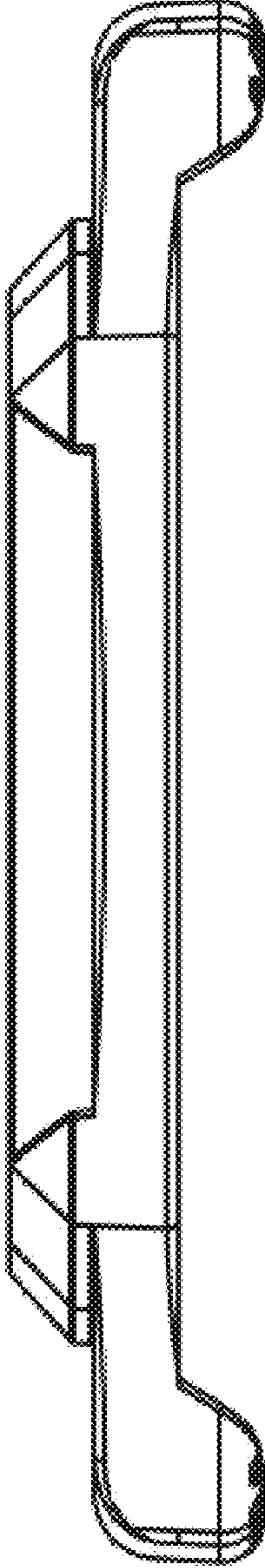


FIG. 3

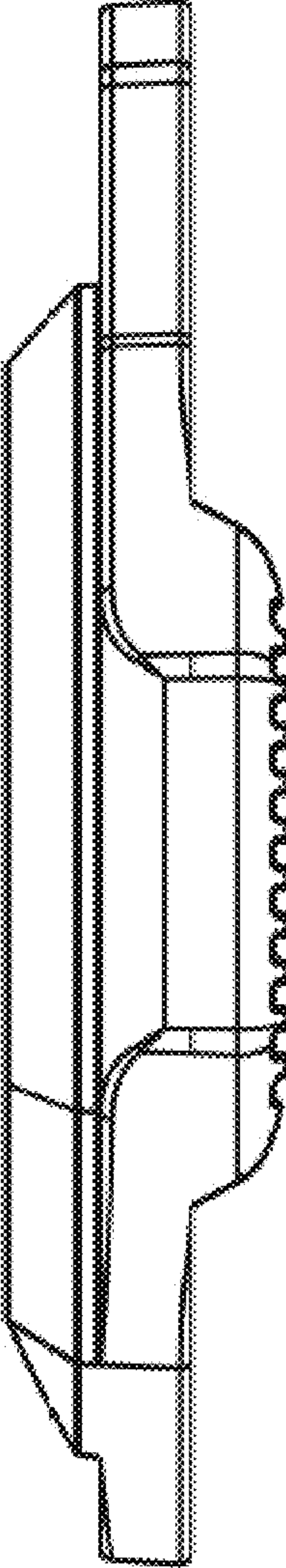


FIG. 4

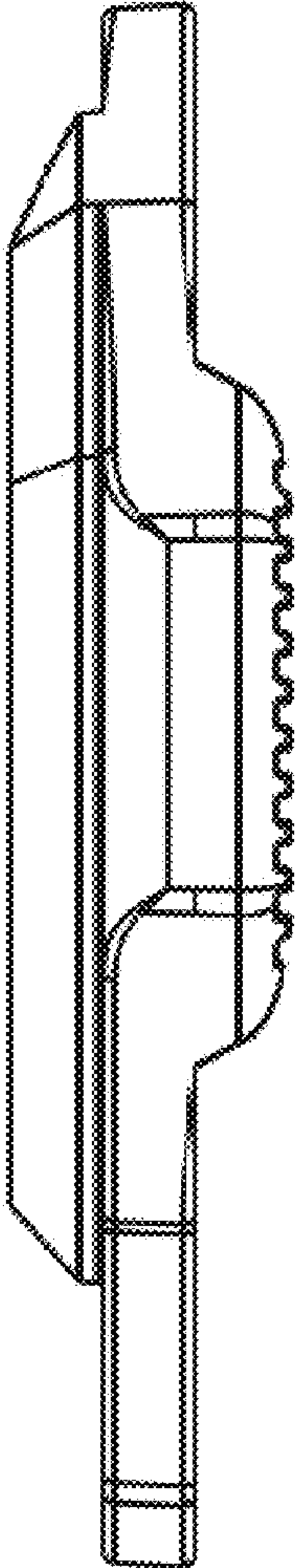


FIG. 5

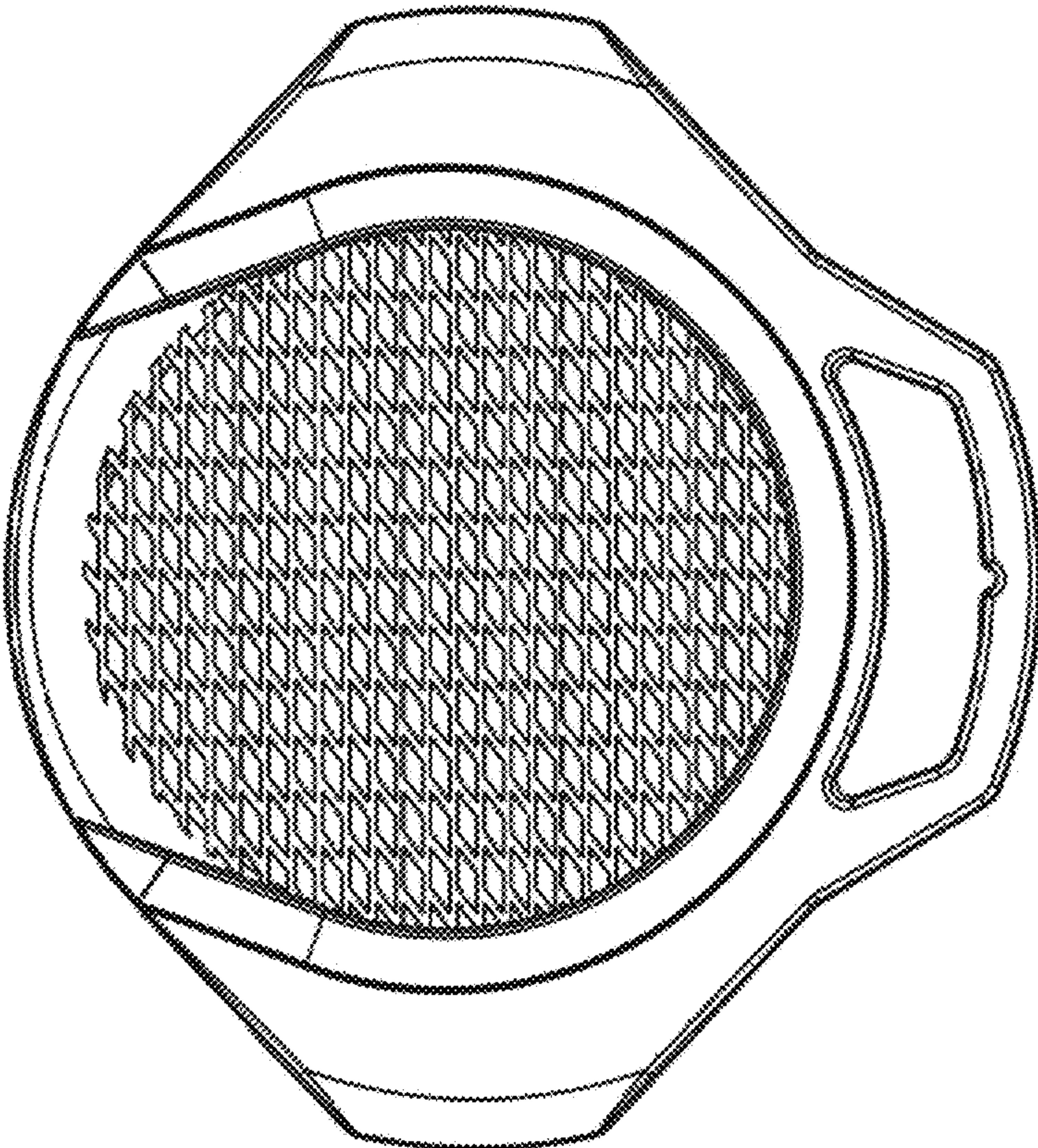


FIG. 6

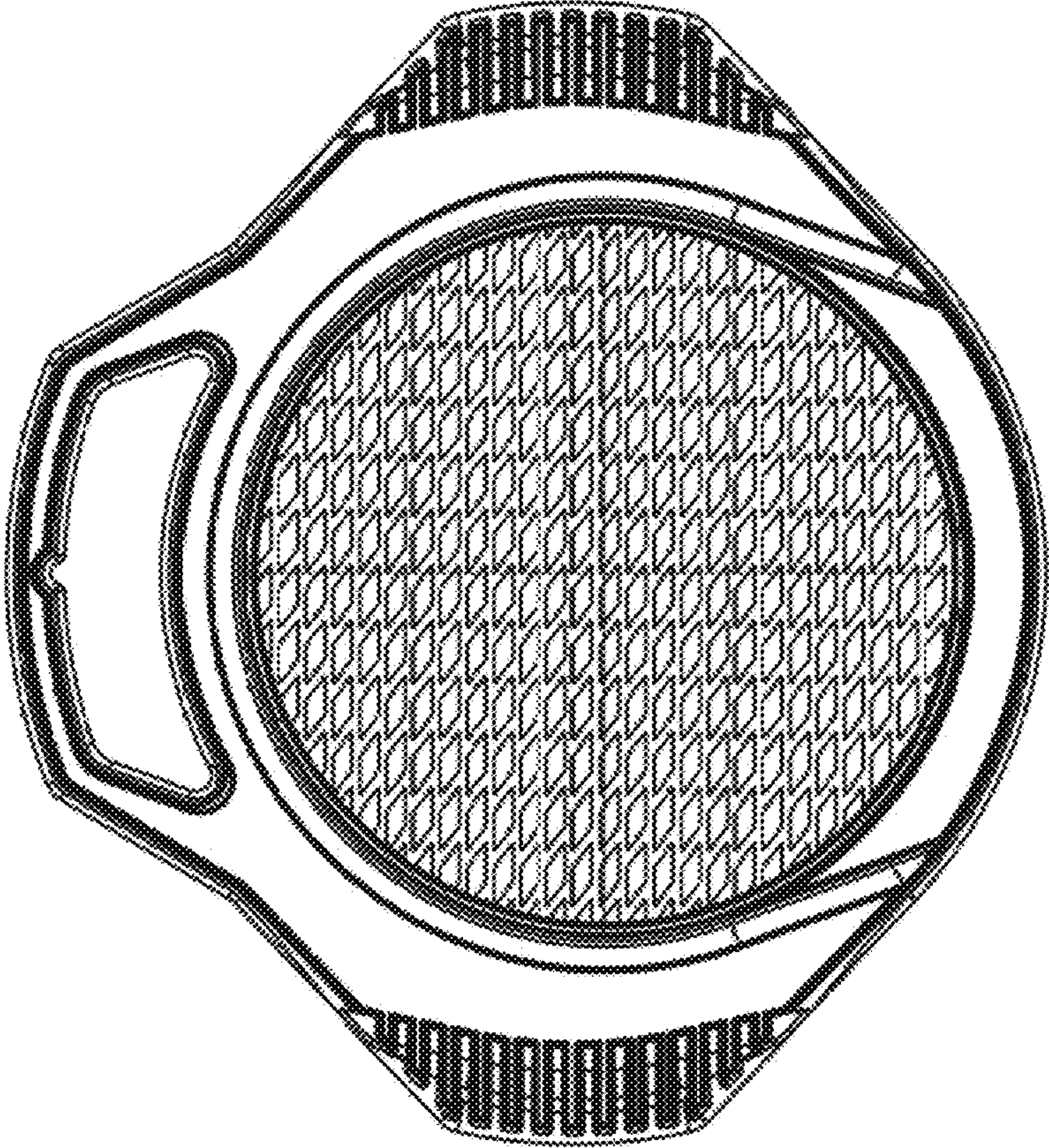


FIG. 7