



US00D744299S

(12) **United States Design Patent**  
**Lipscomb et al.**

(10) **Patent No.:** **US D744,299 S**

(45) **Date of Patent:** **\*\* Dec. 1, 2015**

(54) **SLICING TOOL**

(71) Applicant: **Fiskars Brands, Inc.**, Madison, WI (US)

(72) Inventors: **Daniel J. Lipscomb**, Prairie Du Sac, WI (US); **Craig Peterson**, Cross Plains, WI (US); **Andrew P. Block**, Madison, WI (US); **Stephen P. Dechant**, Lodi, WI (US)

(73) Assignee: **Fiskars Brands, Inc.**, Madison, WI (US)

(\*\*) Term: **14 Years**

(21) Appl. No.: **29/486,662**

(22) Filed: **Apr. 1, 2014**

(51) **LOC (10) Cl.** ..... **07-04**

(52) **U.S. Cl.**  
USPC ..... **D7/674**

(58) **Field of Classification Search**  
USPC ..... D7/672-677, 693, 669; 30/114-117,  
30/122, 120.3, 165, 279.6, 299, 303-305;  
100/112, 116, 125, 234, 233, 243;  
99/537, 538, 543, 545  
CPC ..... A21C 15/04; B26D 3/185; B26D 7/00;  
B26D 1/553; B26D 7/01

See application file for complete search history.

(56) **References Cited**

U.S. PATENT DOCUMENTS

4,383,365 A \* 5/1983 Metzgian ..... 30/114  
D297,798 S \* 9/1988 Leung ..... D7/673  
D400,065 S \* 10/1998 Fohrman ..... D7/673

\* cited by examiner

*Primary Examiner* — Terry Wallace

(74) *Attorney, Agent, or Firm* — Foley & Lardner LLP

(57) **CLAIM**

We claim the ornamental design for a slicing tool, as shown and described.

**DESCRIPTION**

FIG. 1 is an upper isometric view of a slicing tool;

FIG. 2 is a front elevational view thereof;

FIG. 3 is a rear elevational view thereof;

FIG. 4 is a left side elevational view thereof;

FIG. 5 is a right side elevational view thereof;

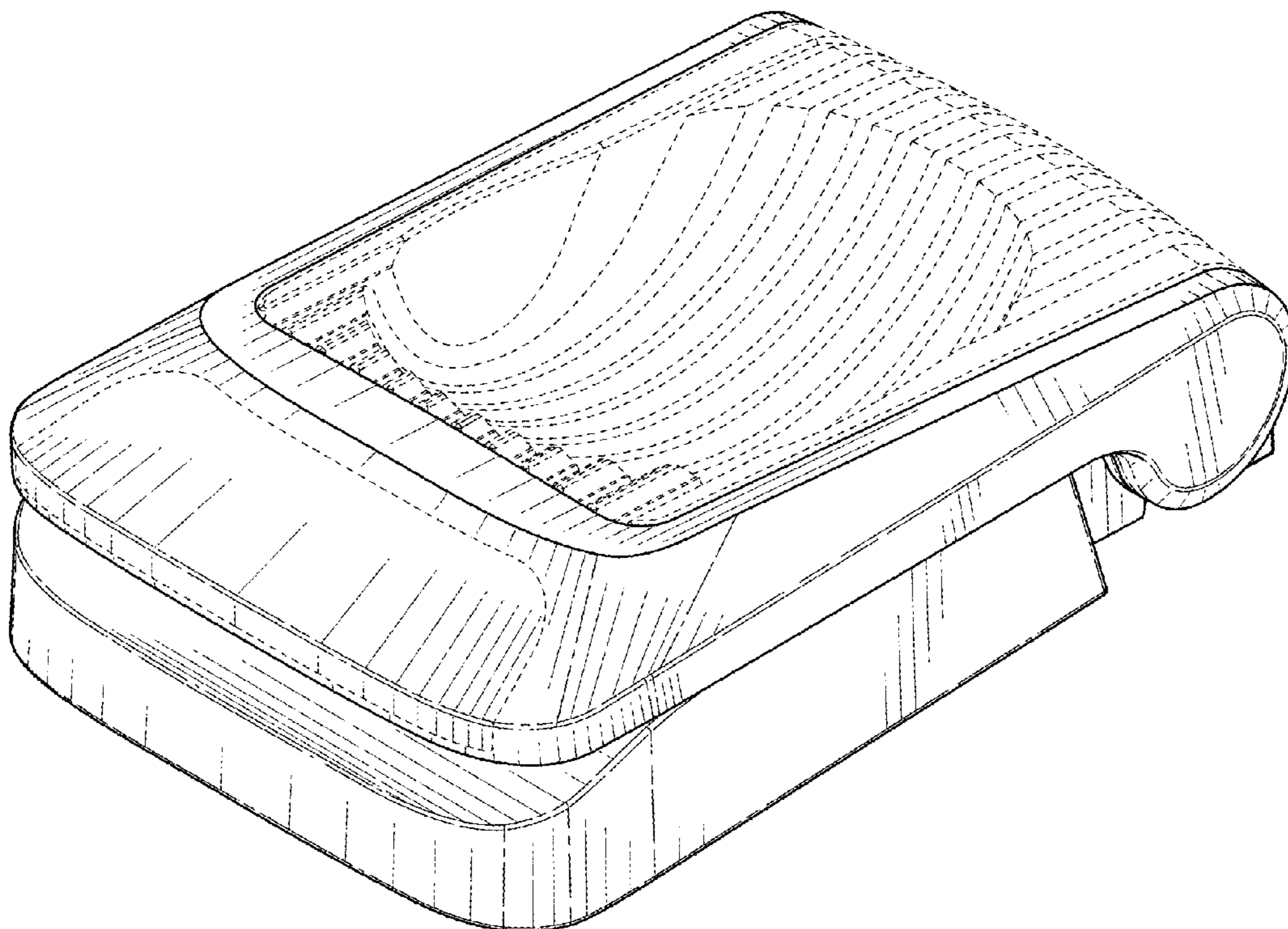
FIG. 6 is a top plan view thereof;

FIG. 7 is a bottom plan view thereof; and,

FIG. 8 is a lower isometric view thereof.

The ornamental design which is claimed is shown in solid lines in the drawings. The broken lines in the drawings are for illustrative purposes only and show unclaimed portions of the claimed design.

**1 Claim, 6 Drawing Sheets**



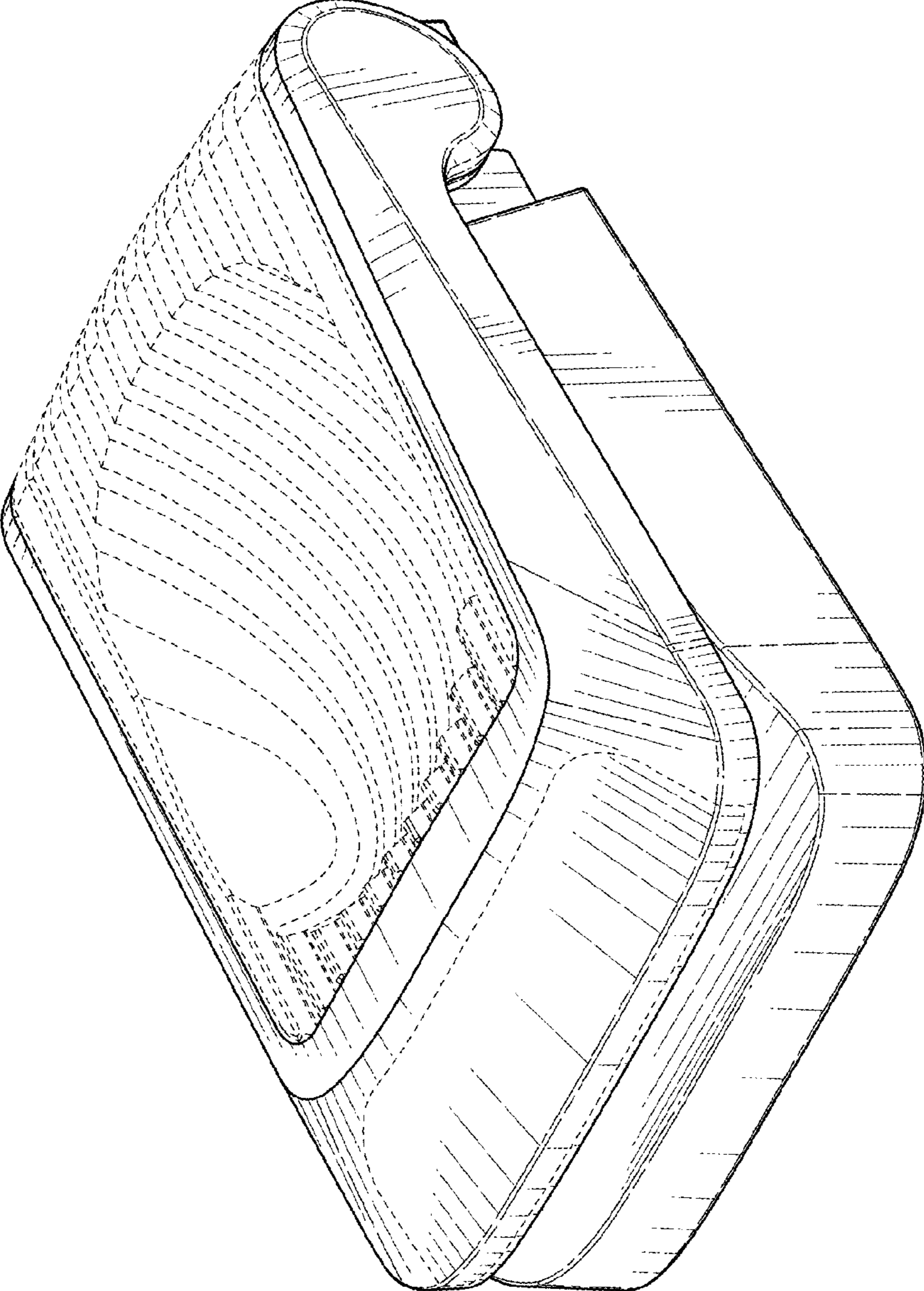


FIG. 1

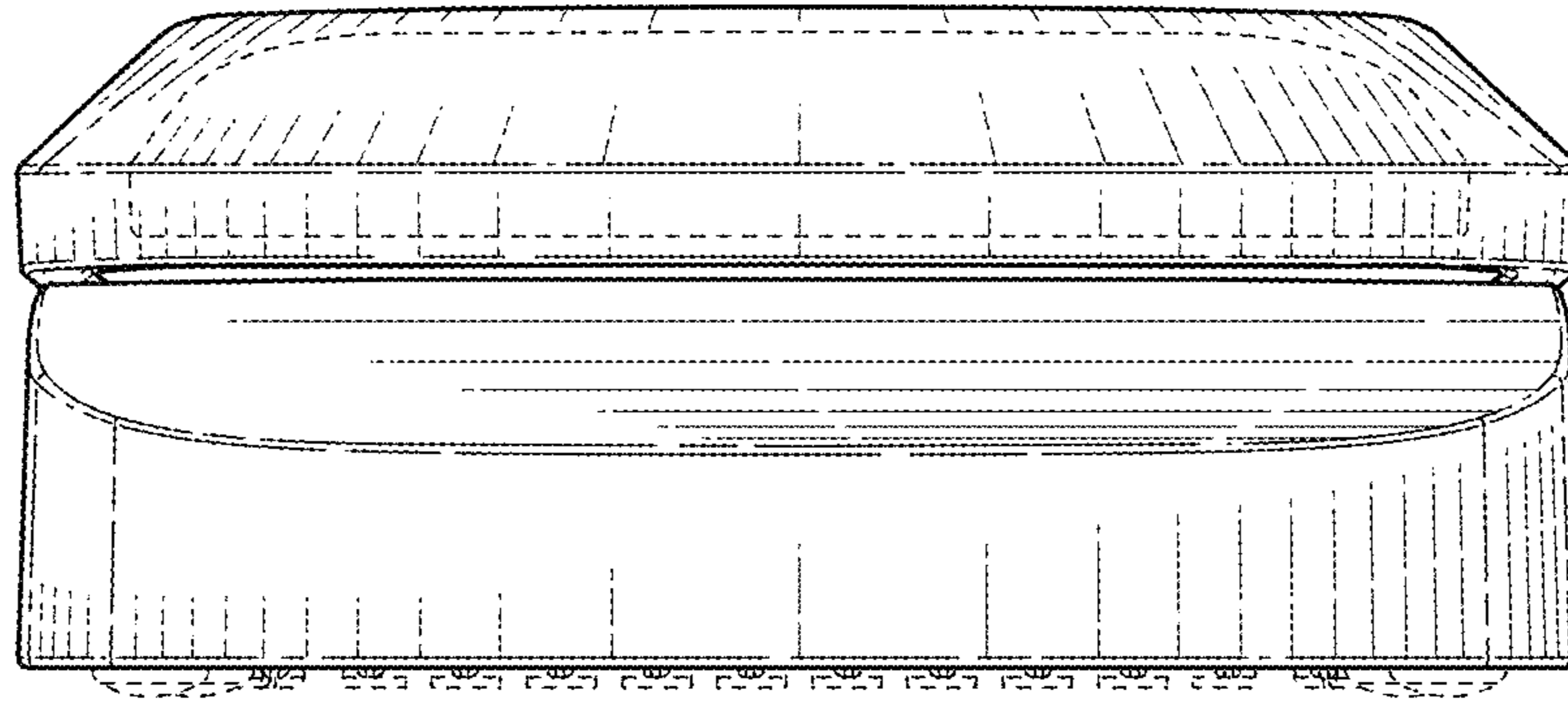


FIG. 2

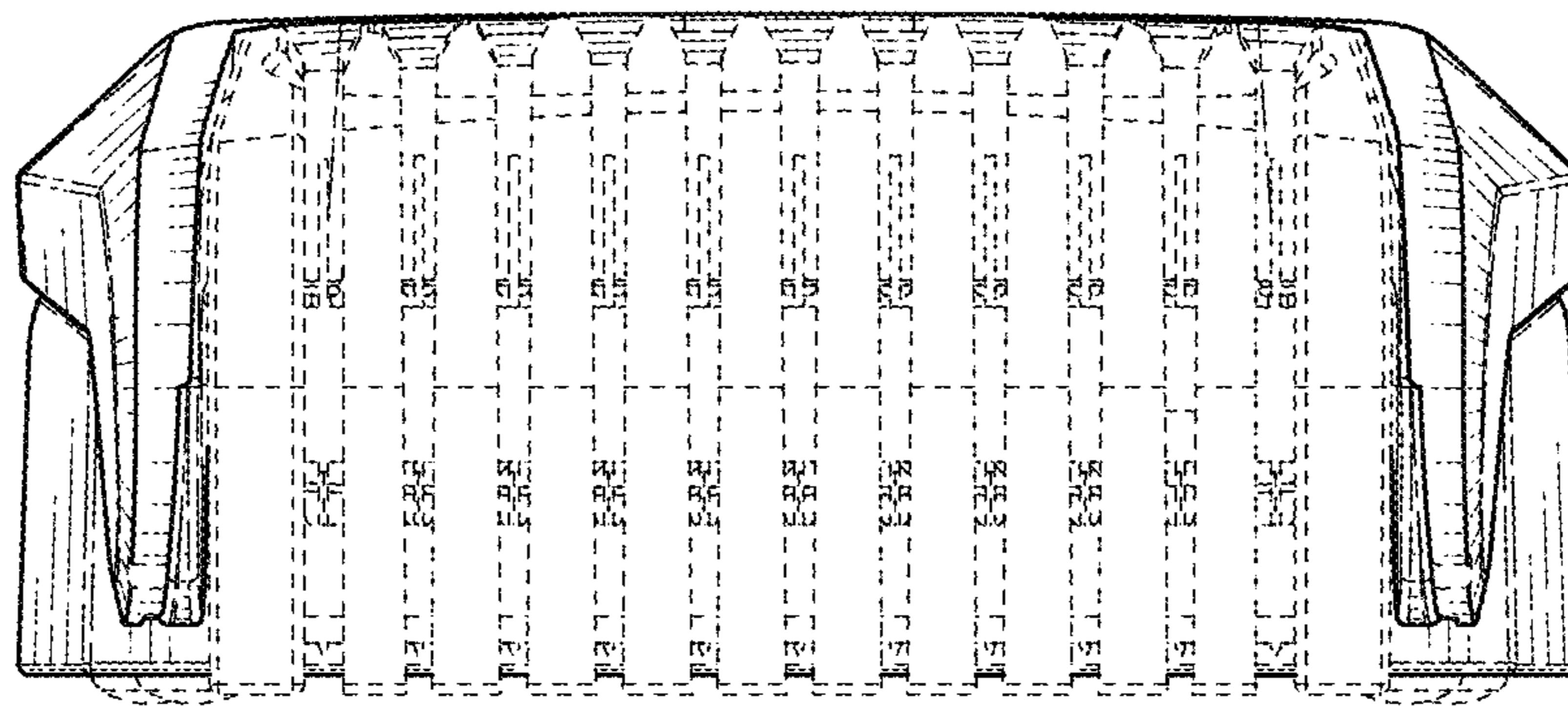


FIG. 3

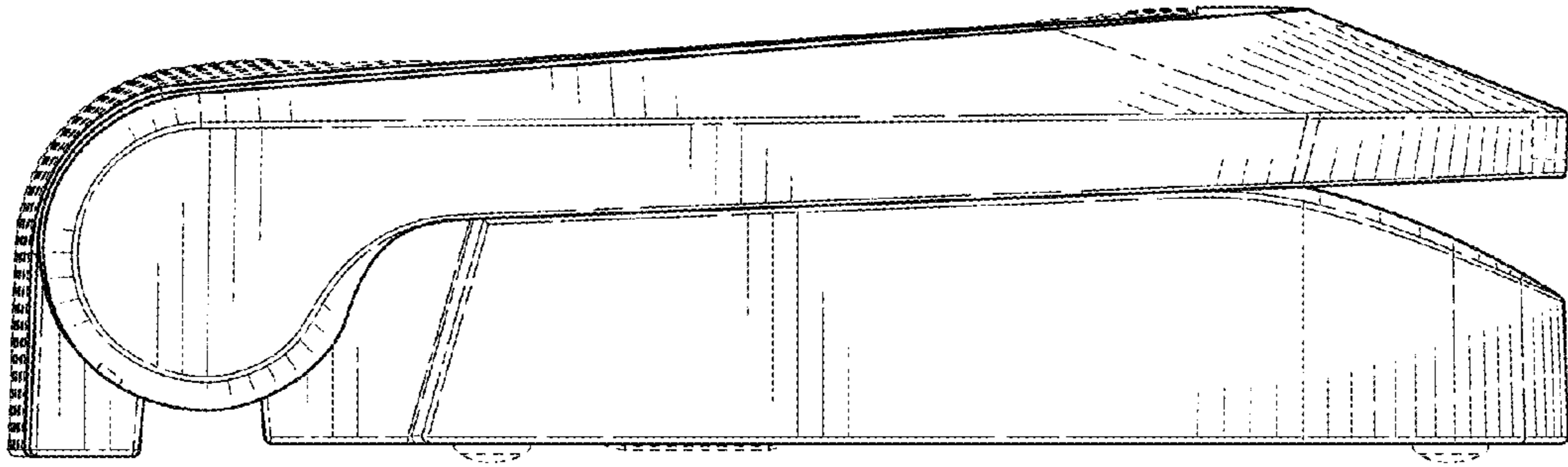


FIG. 4

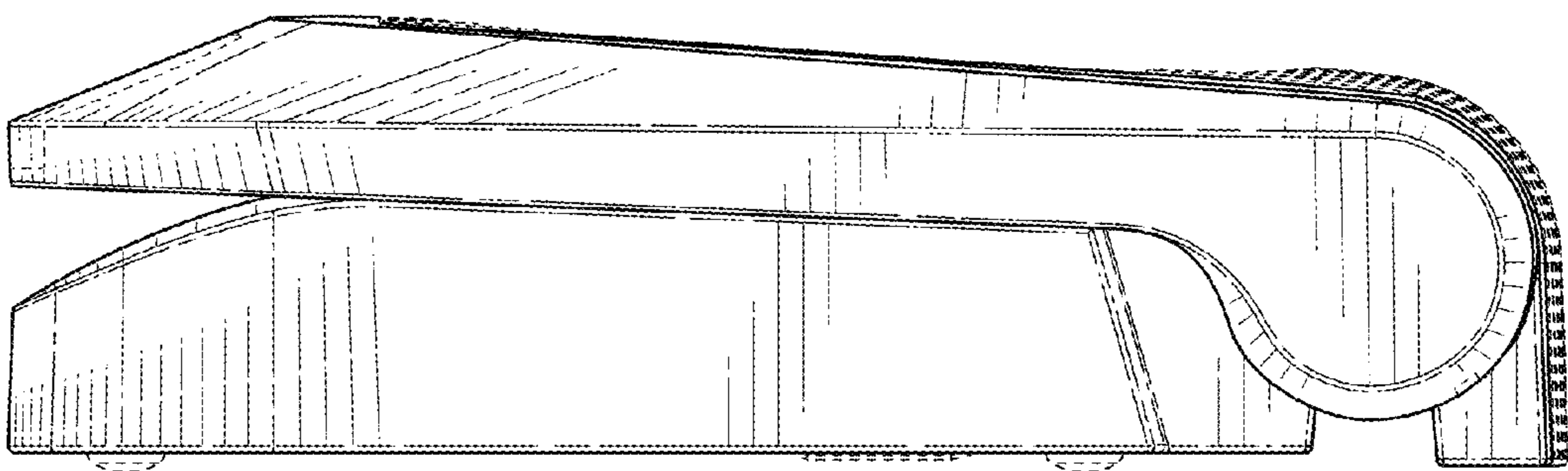


FIG. 5

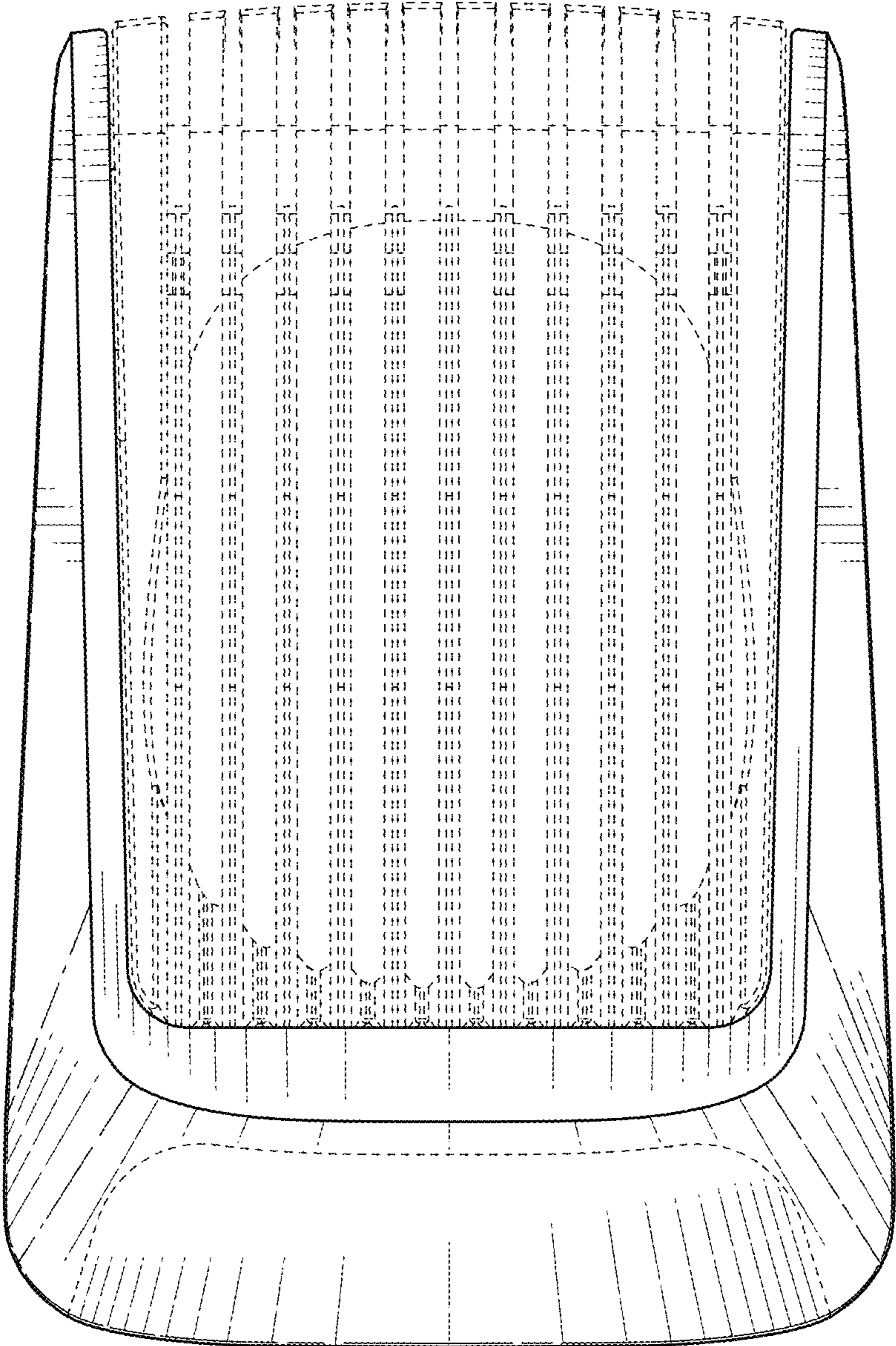


FIG. 6

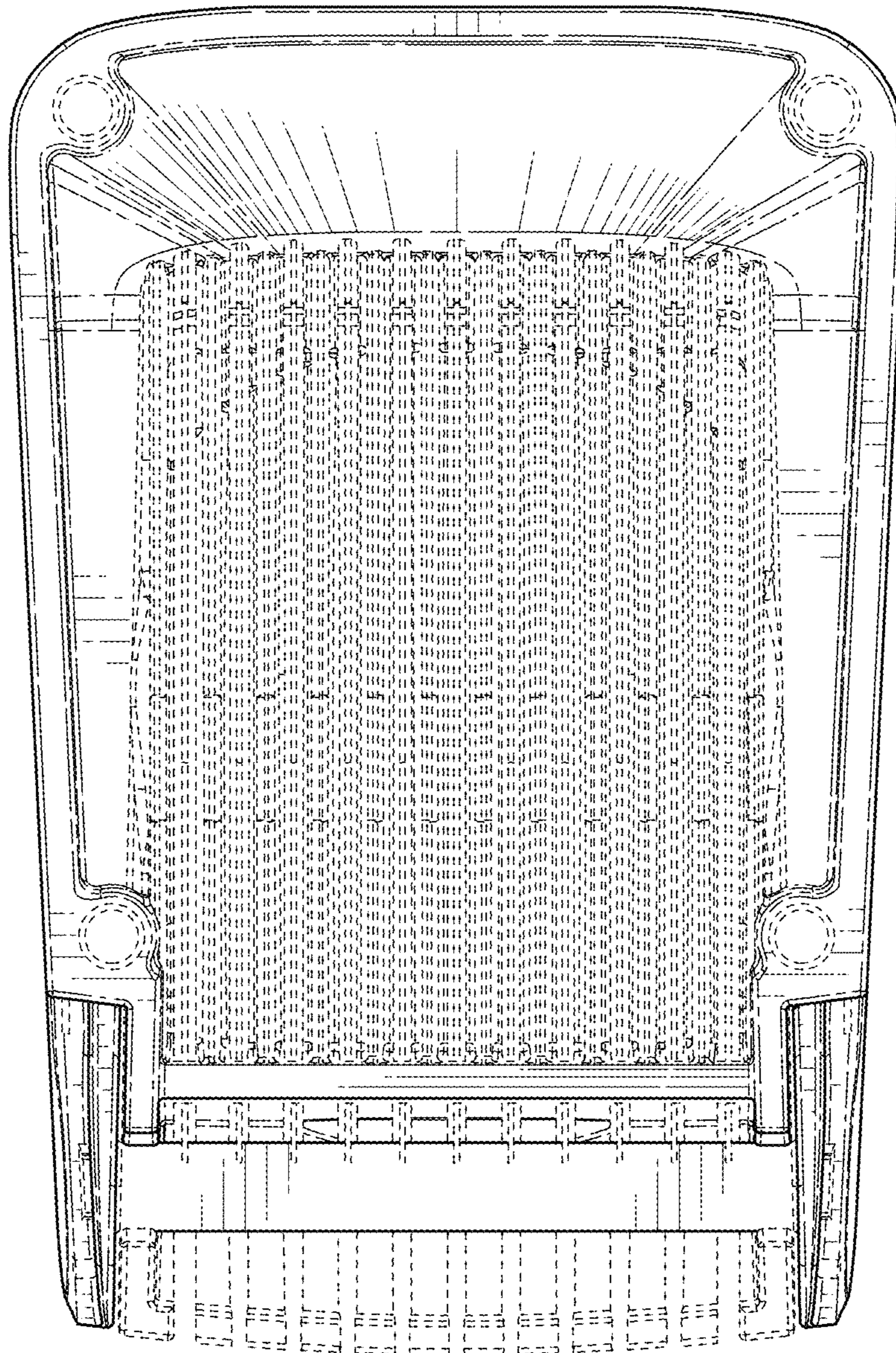


FIG. 7

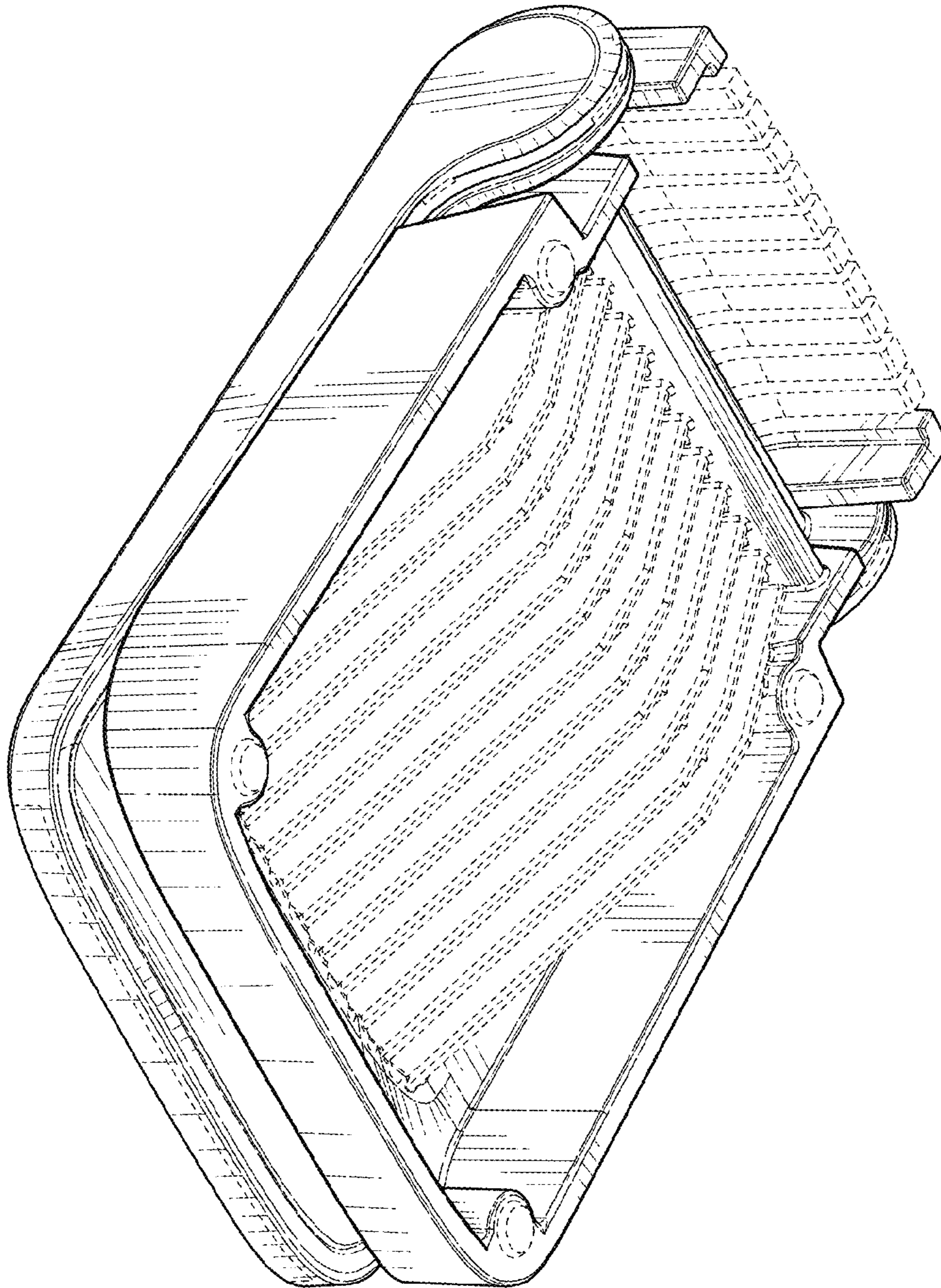


FIG. 8