



US00D744297S

(12) **United States Design Patent**
Goodman et al.

(10) **Patent No.:** **US D744,297 S**
(45) **Date of Patent:** **** Dec. 1, 2015**

(54) **SPOON REST**

(71) Applicant: **Spectrum Diversified Designs, Inc.**,
Streetsboro, OH (US)

(72) Inventors: **Sheldon H. Goodman**, Solon, OH (US);
Phaysouk Xayoiphonh, Akron, OH
(US)

(73) Assignee: **Spectrum Diversified Designs, Inc.**,
Streetsboro, OH (US)

(**) Term: **14 Years**

(21) Appl. No.: **29/488,150**

(22) Filed: **Apr. 16, 2014**

(51) **LOC (10) Cl.** **07-06**

(52) **U.S. Cl.**
USPC **D7/637**

(58) **Field of Classification Search**
USPC D7/637-641, 601, 704, 619.1,
D7/600.1-600.4; 211/181.1, 41.2, 41.4,
211/41.11, 42, 70.7, 70.6, 74, 70.1, 71.01;
248/37.6, 176.1, 176.2
CPC A47J 47/16; A47G 29/08
See application file for complete search history.

(56) **References Cited**

U.S. PATENT DOCUMENTS

2,286,012 A * 6/1942 Rochow A47G 29/08
248/37.6
D517,870 S * 3/2006 Perkins D7/637

D527,228 S * 8/2006 Joseph D7/637
D539,102 S * 3/2007 Goodman D7/601
D547,619 S * 7/2007 Goodman D7/637
D575,592 S * 8/2008 Lion D7/601
D582,219 S * 12/2008 Prevost D7/601

* cited by examiner

Primary Examiner — Terry Wallace

(74) *Attorney, Agent, or Firm* — Renner, Otto, Boisselle &
Sklar, LLP

(57) **CLAIM**

The ornamental design for a spoon rest, as shown and
described.

DESCRIPTION

FIG. 1 is a perspective view of a spoon rest showing our new
design.

FIG. 2 is a top view thereof in a reduced scale relative to FIG.
1.

FIG. 3 is a bottom view thereof.

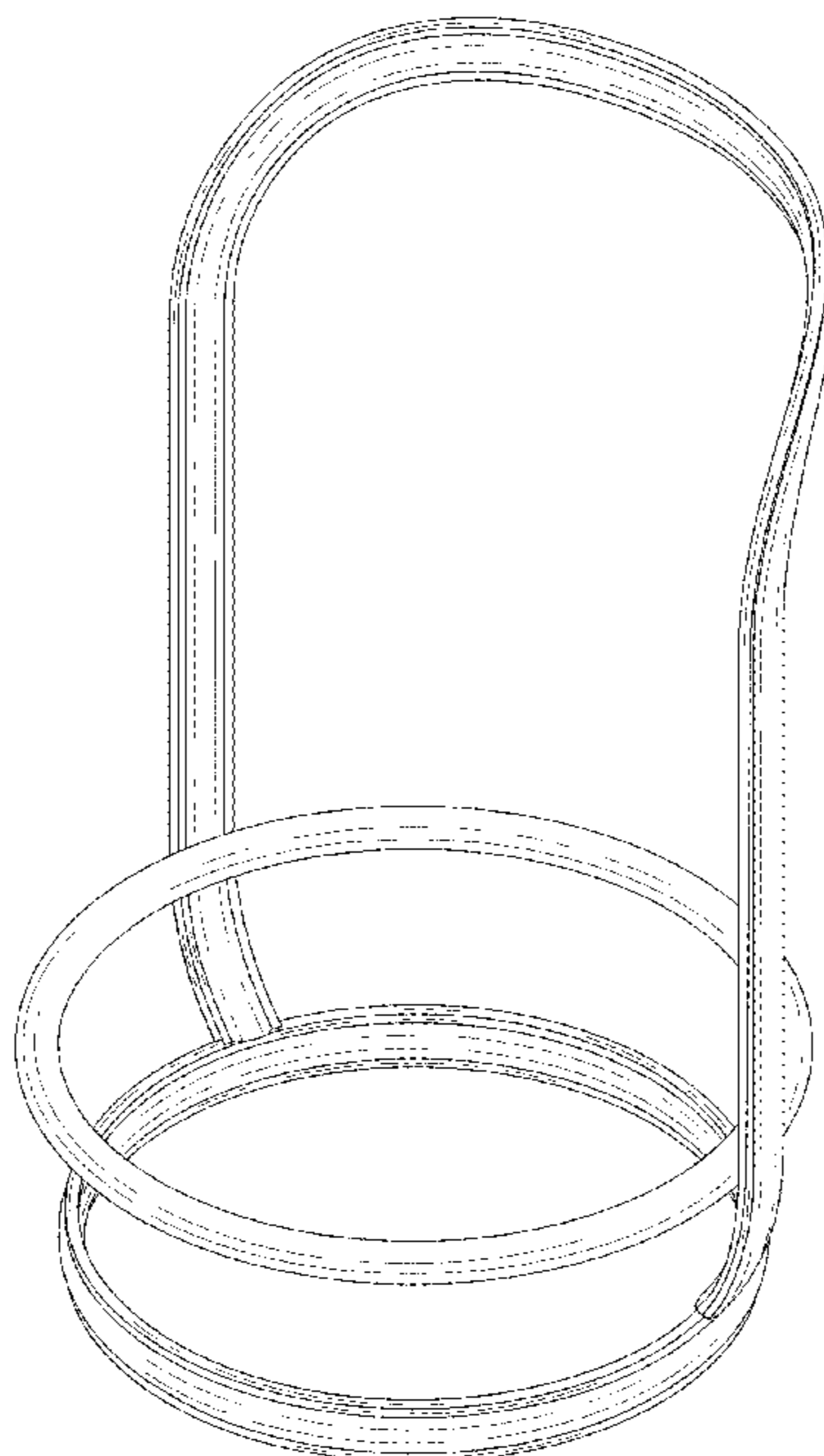
FIG. 4 is a front view thereof.

FIG. 5 is a right side view thereof, a left side view being a
mirror image of the right side view.

FIG. 6 is a cross-section showing the surface contour of a wire
element of the spoon rest taken along the line 6-6 in FIG. 4
and shown in an enlarged scale relative to the other figures;
and,

FIG. 7 is a perspective view of the spoon rest, which is the
same as the spoon rest of FIGS. 1-6 but the cross-sectional
shape of the wire forming the lower rim and the upright
retainer element is different.

1 Claim, 3 Drawing Sheets



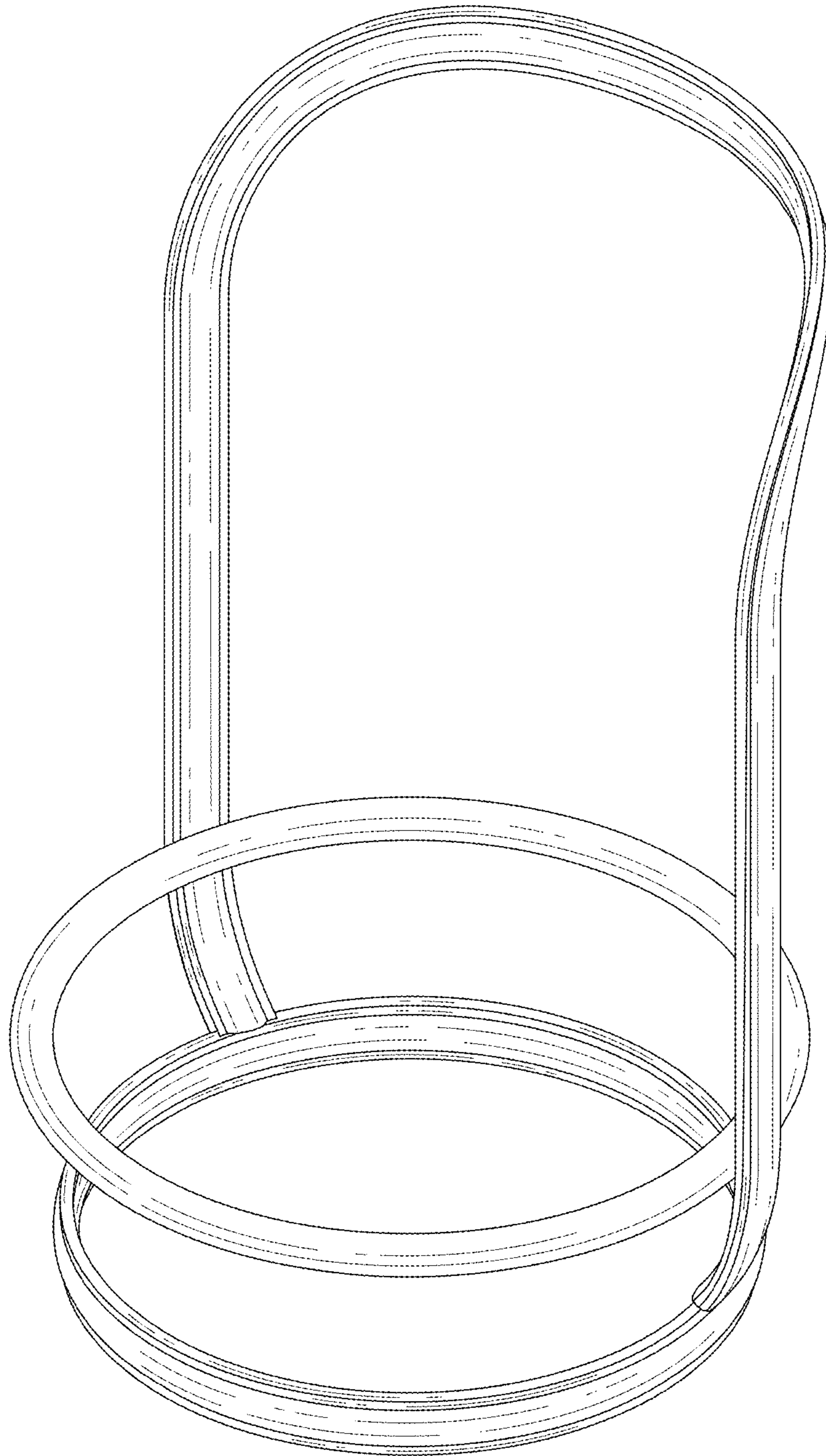


FIG. 1

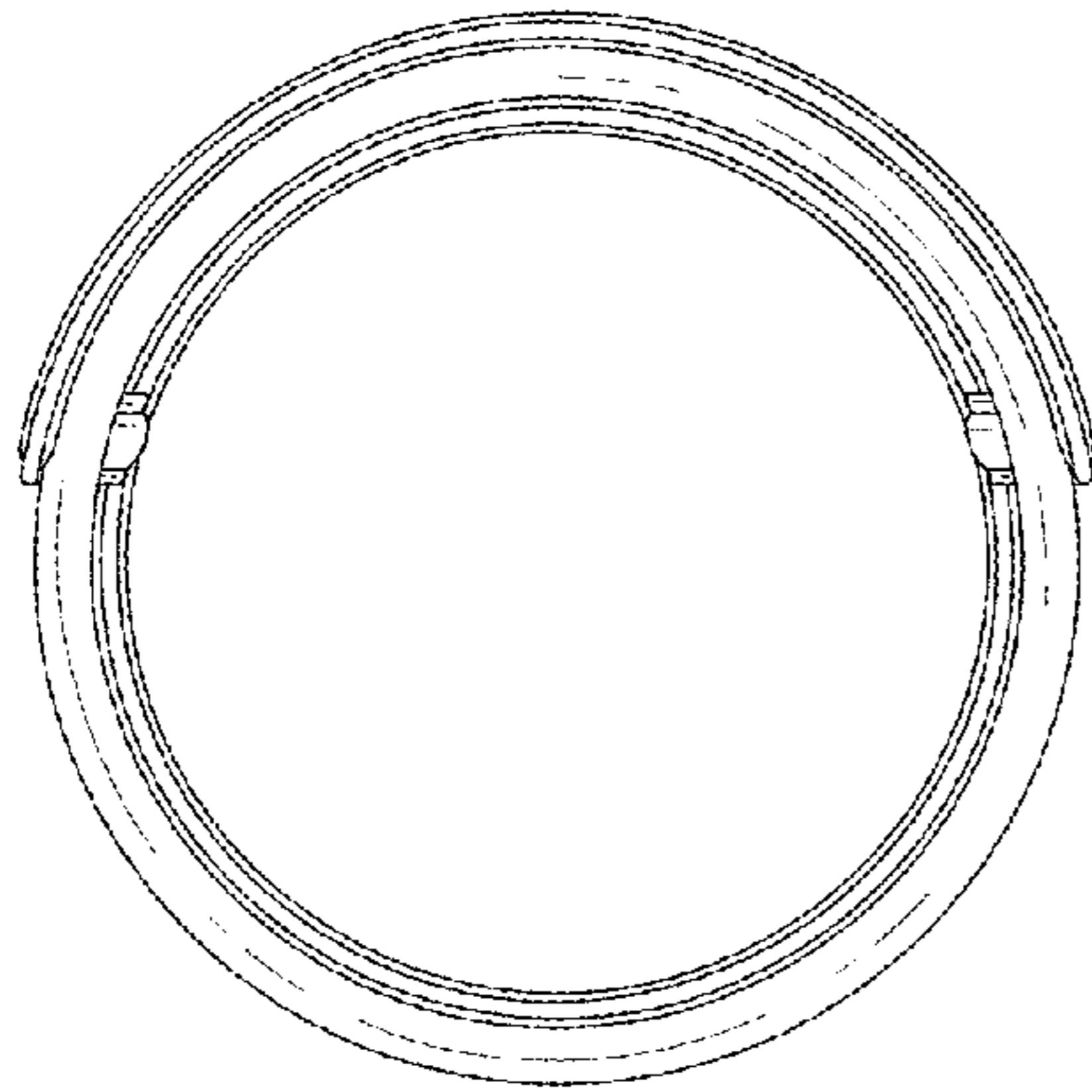


FIG. 2

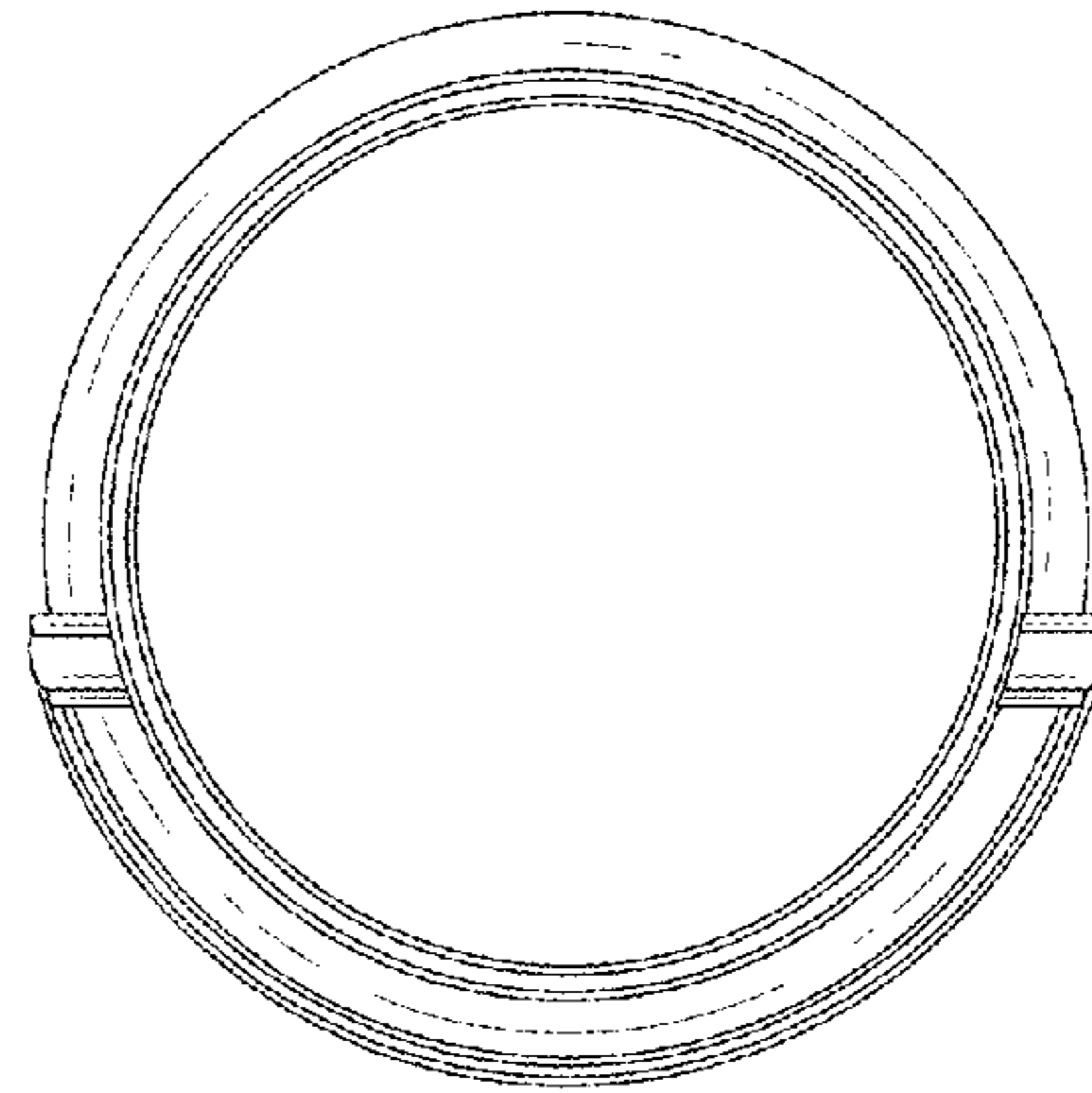


FIG. 3

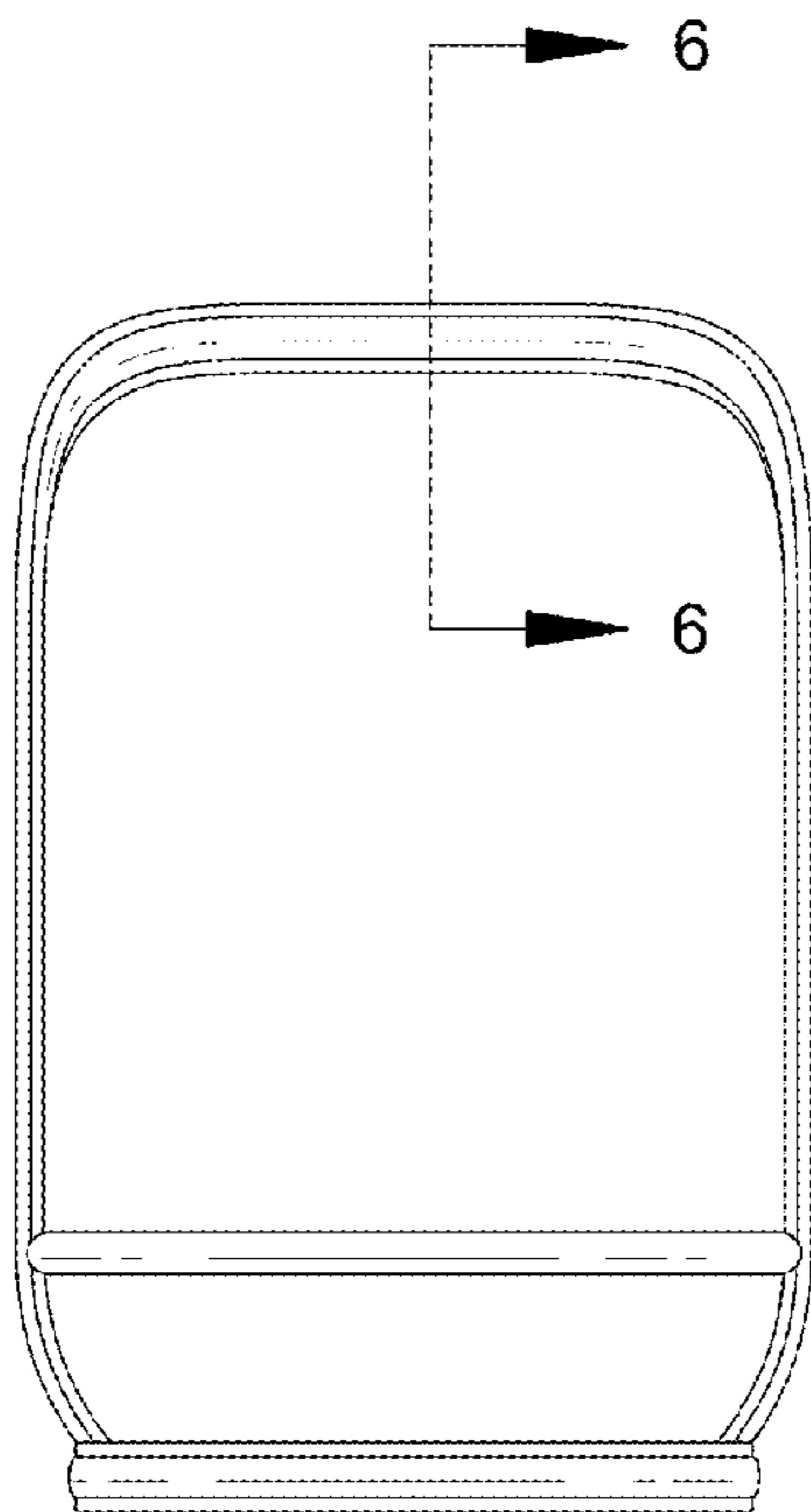


FIG. 4



FIG. 6

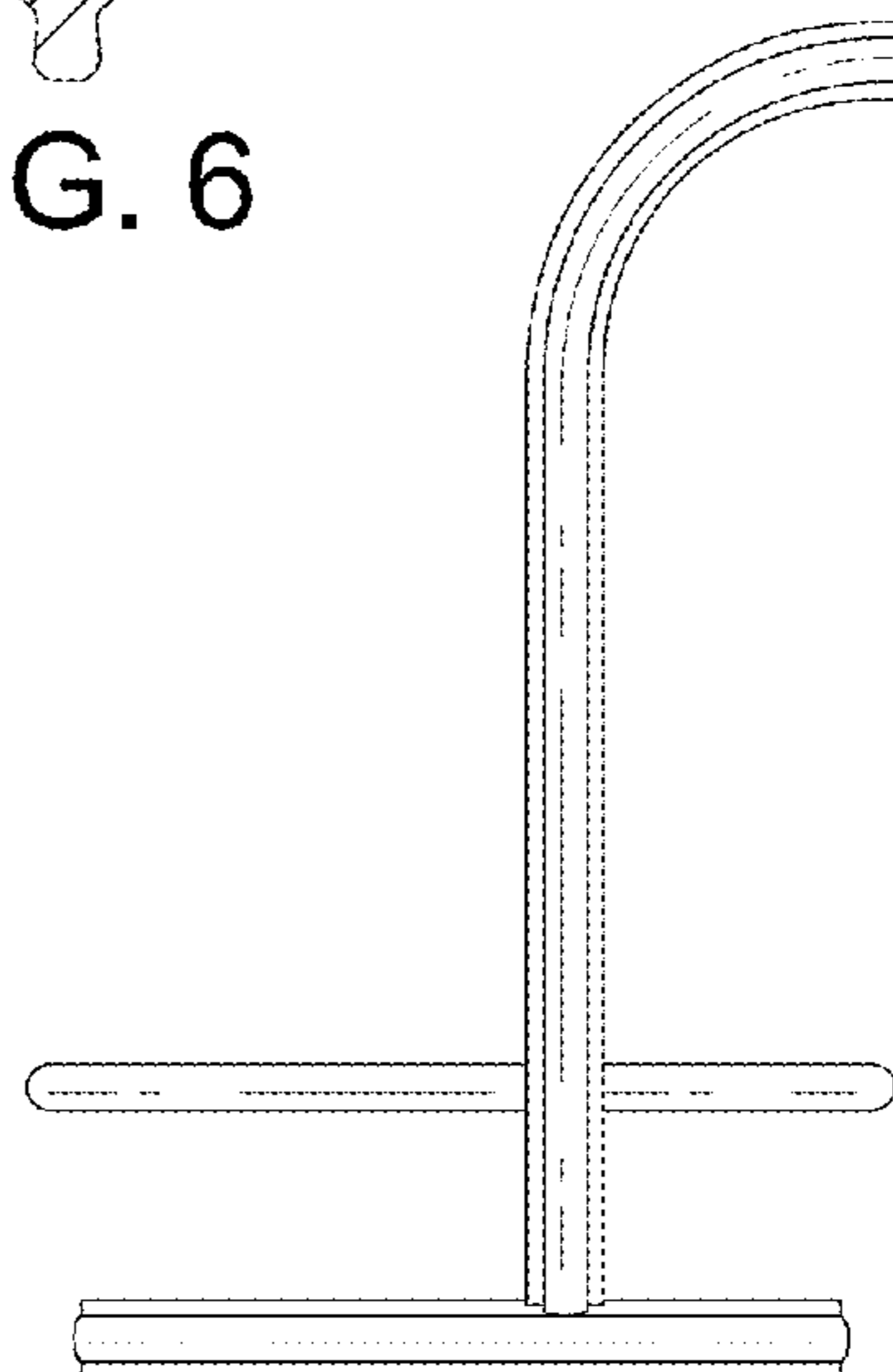


FIG. 5

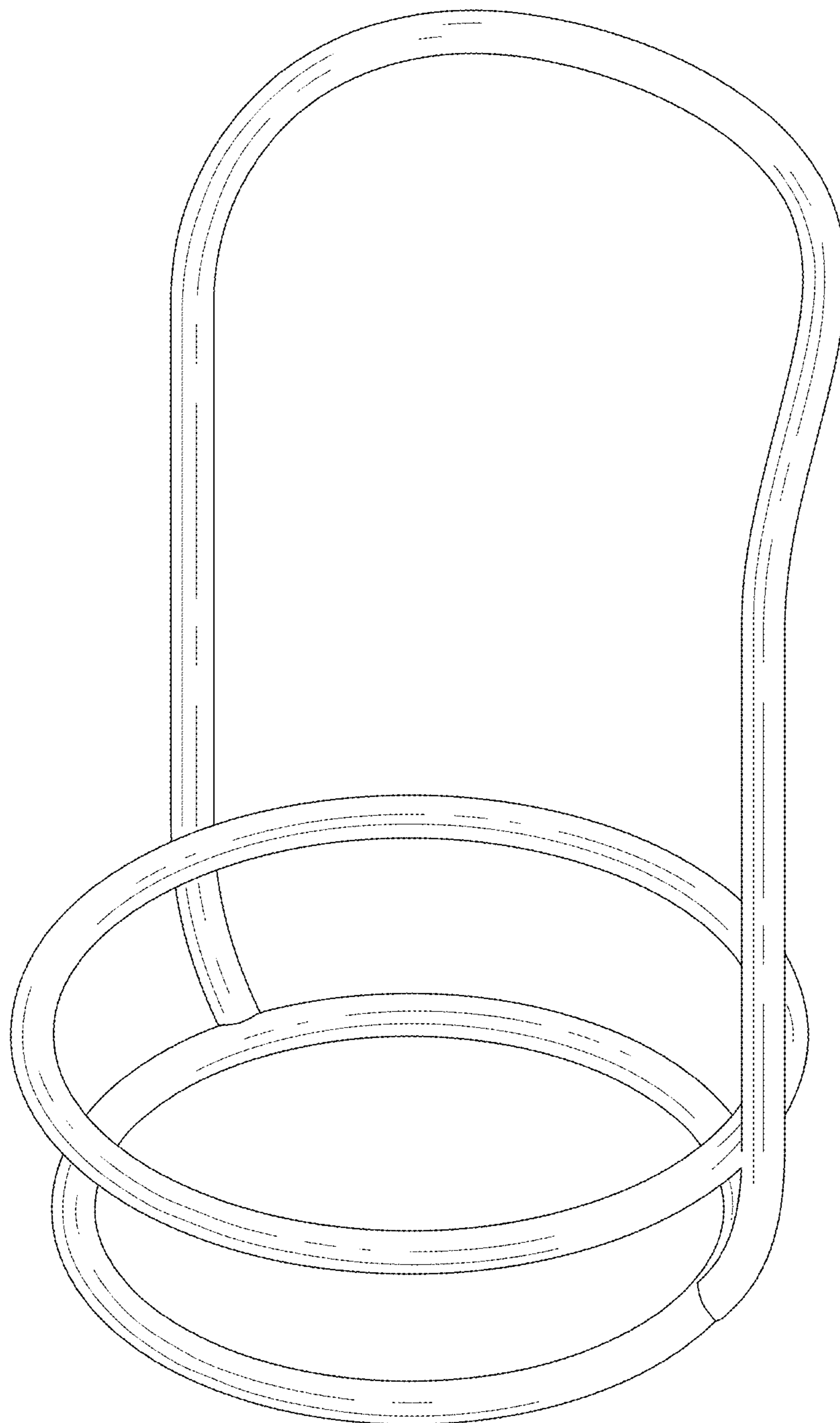


FIG. 7