



US00D744296S

(12) **United States Design Patent**  
**Goodman et al.**

(10) **Patent No.:** **US D744,296 S**  
(45) **Date of Patent:** **\*\* Dec. 1, 2015**

(54) **NAPKIN HOLDER**

(56) **References Cited**

(71) Applicant: **Spectrum Diversified Designs, Inc.**,  
Streetsboro, OH (US)

U.S. PATENT DOCUMENTS

(72) Inventors: **Sheldon H. Goodman**, Solon, OH (US);  
**Phaysouk Xayoiphonh**, Akron, OH  
(US); **Jennifer Case**, Middleburg  
Heights, OH (US)

3,878,966	A	*	4/1975	Haboush .....	A47K 10/421 211/50
D315,925	S	*	4/1991	Rich .....	D19/86
D495,214	S	*	8/2004	Joseph .....	D7/631
D548,539	S	*	8/2007	Yang .....	D7/631
D622,110	S	*	8/2010	Yang .....	D7/631
D640,510	S	*	6/2011	Guindi .....	D7/631
D652,688	S	*	1/2012	Guindi .....	D7/631

(73) Assignee: **Spectrum Diversified Designs, Inc.**,  
Streetsboro, OH (US)

\* cited by examiner

(\*\*) Term: **14 Years**

*Primary Examiner* — Terry Wallace

(21) Appl. No.: **29/509,494**

(74) *Attorney, Agent, or Firm* — Renner, Otto, Boisselle &  
Sklar LLP

(22) Filed: **Nov. 18, 2014**

(57) **CLAIM**

(51) **LOC (10) Cl.** ..... **07-06**

The ornamental design for a napkin holder, as shown and  
described.

(52) **U.S. Cl.**

**DESCRIPTION**

USPC ..... **D7/631**

(58) **Field of Classification Search**

USPC ..... D7/631-634, 584, 587, 588, 601, 602,  
D7/637, 704; D3/306; D19/86, 75, 90, 92,  
D19/95; D6/673, 675.2, 675.5, 676.5,  
D6/677.5, 678.4, 680.3; 211/41.1-41.4,  
211/181.1, 13.1, 11, 126.9, 133.5, 85.31,  
211/33, 34, 59.2, 49.1, 45, 50; 220/485,  
220/491  
CPC ..... A47G 21/16; A47K 10/423; A47K 10/42;  
A47K 10/421

FIG. 1 is a perspective view of a napkin holder showing our  
new design.

FIG. 2 is a front view thereof.

FIG. 3 is a rear view thereof.

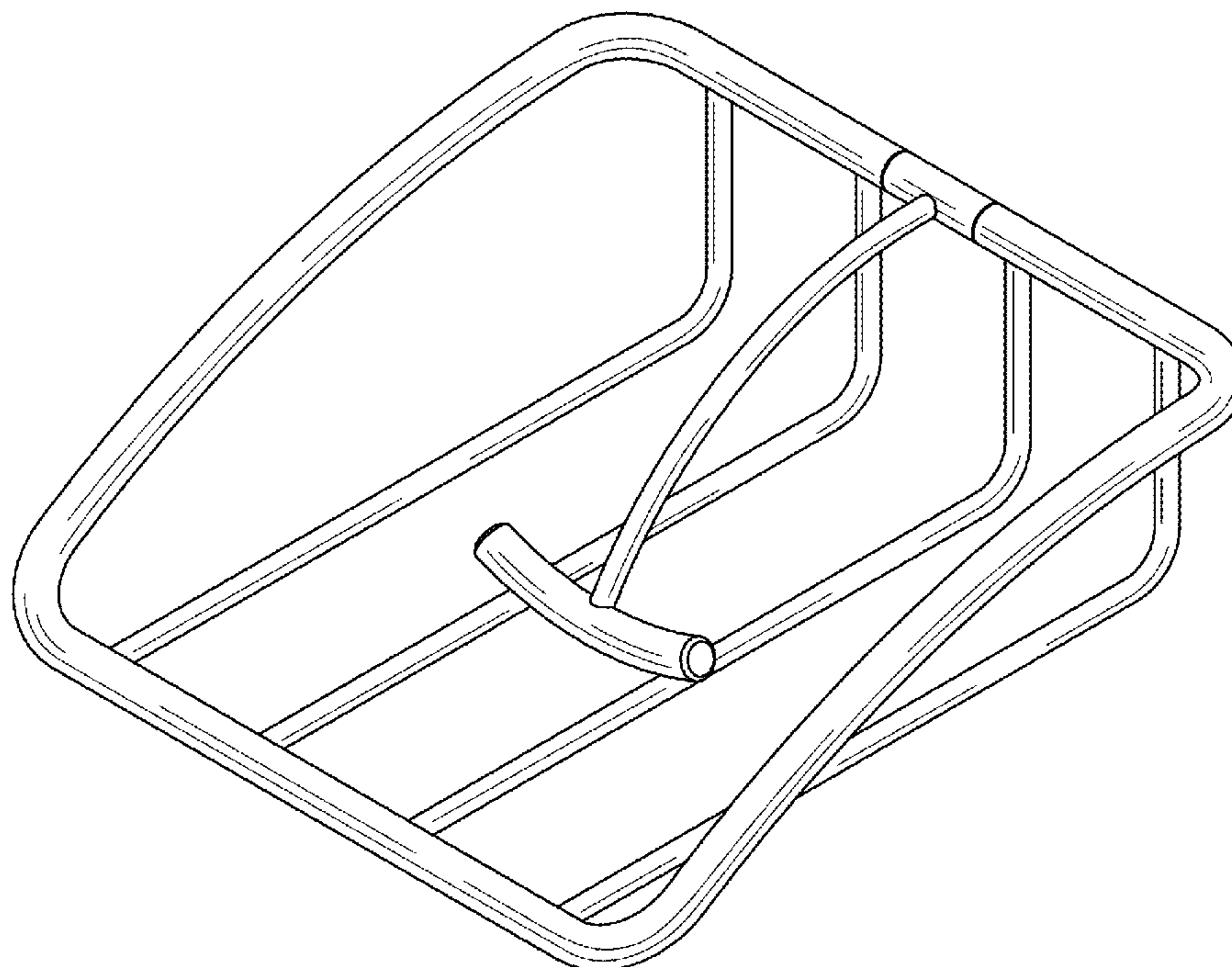
FIG. 4 is a right side view thereof, a left side view being a  
mirror image of the right side view.

FIG. 5 is a top view thereof; and,

FIG. 6 is a bottom view thereof.

See application file for complete search history.

**1 Claim, 5 Drawing Sheets**



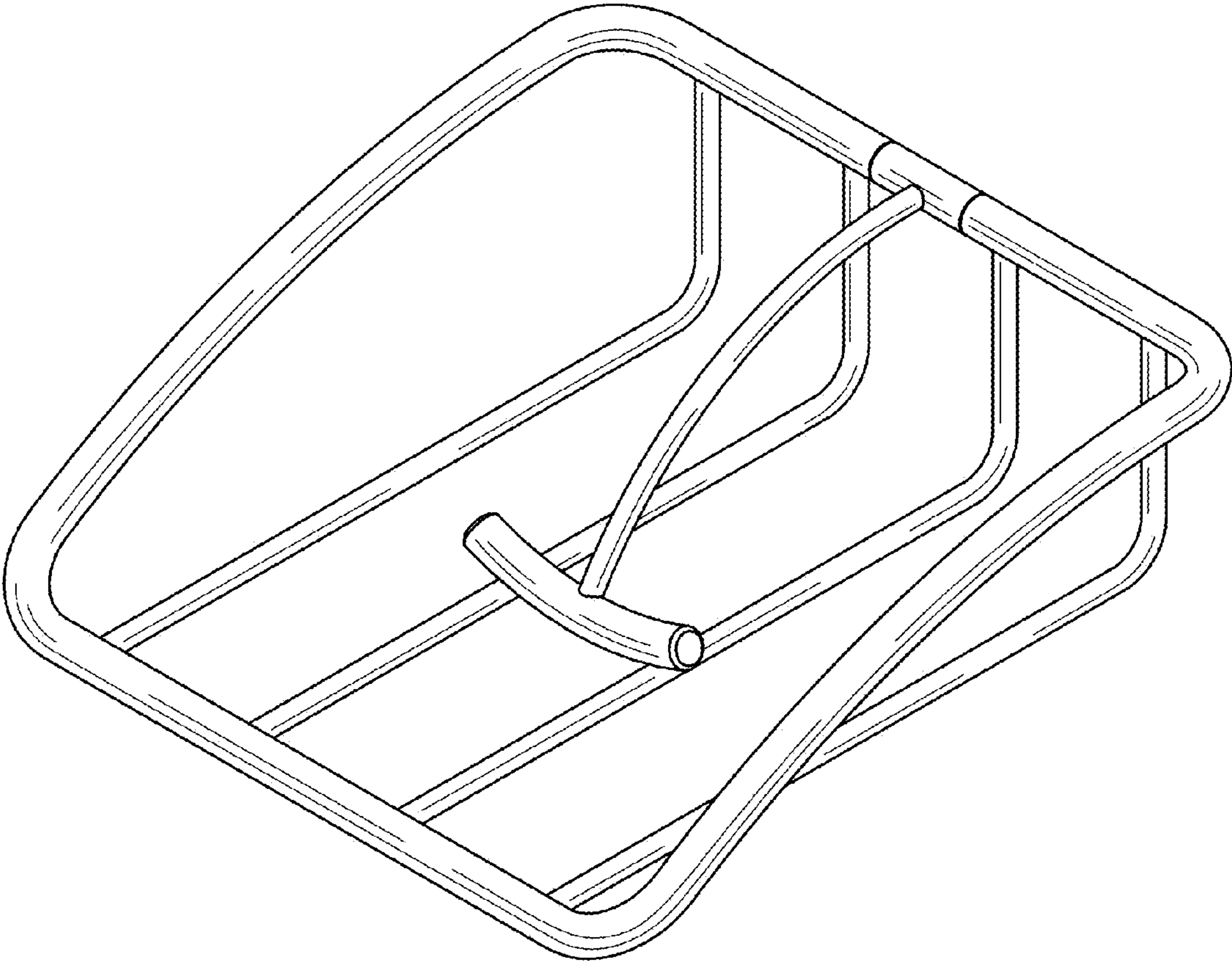


FIG. 1

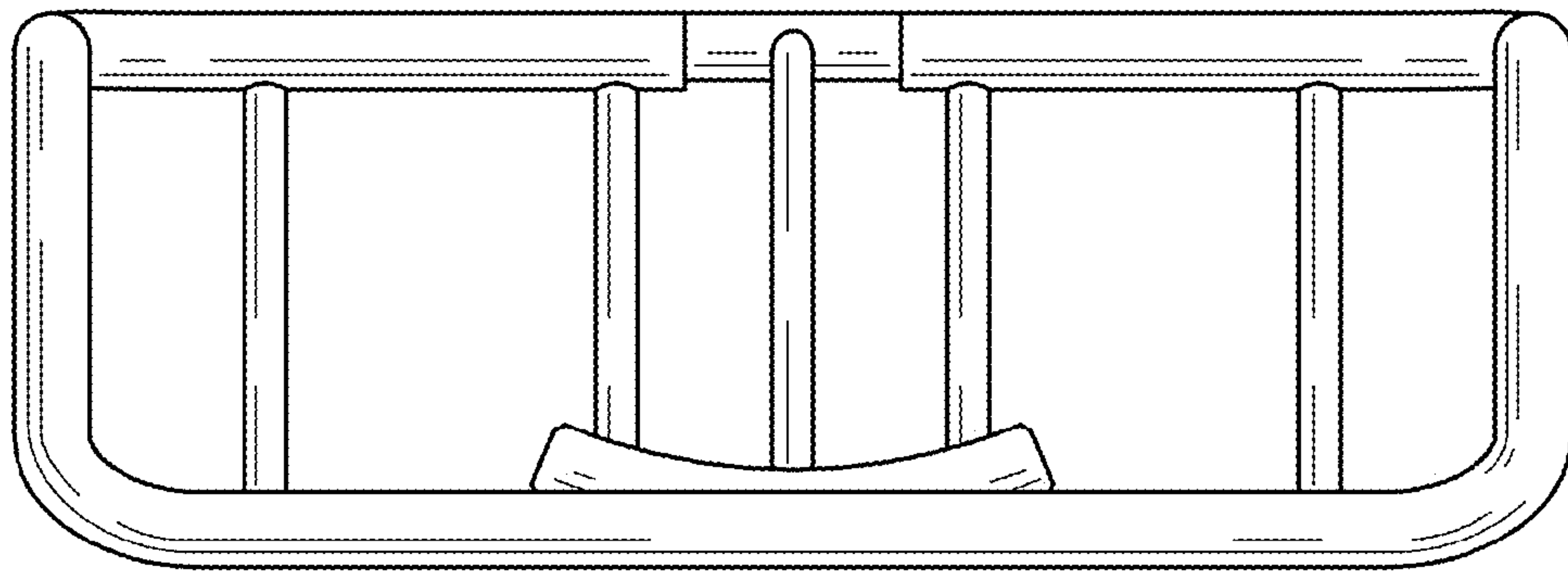


FIG. 2

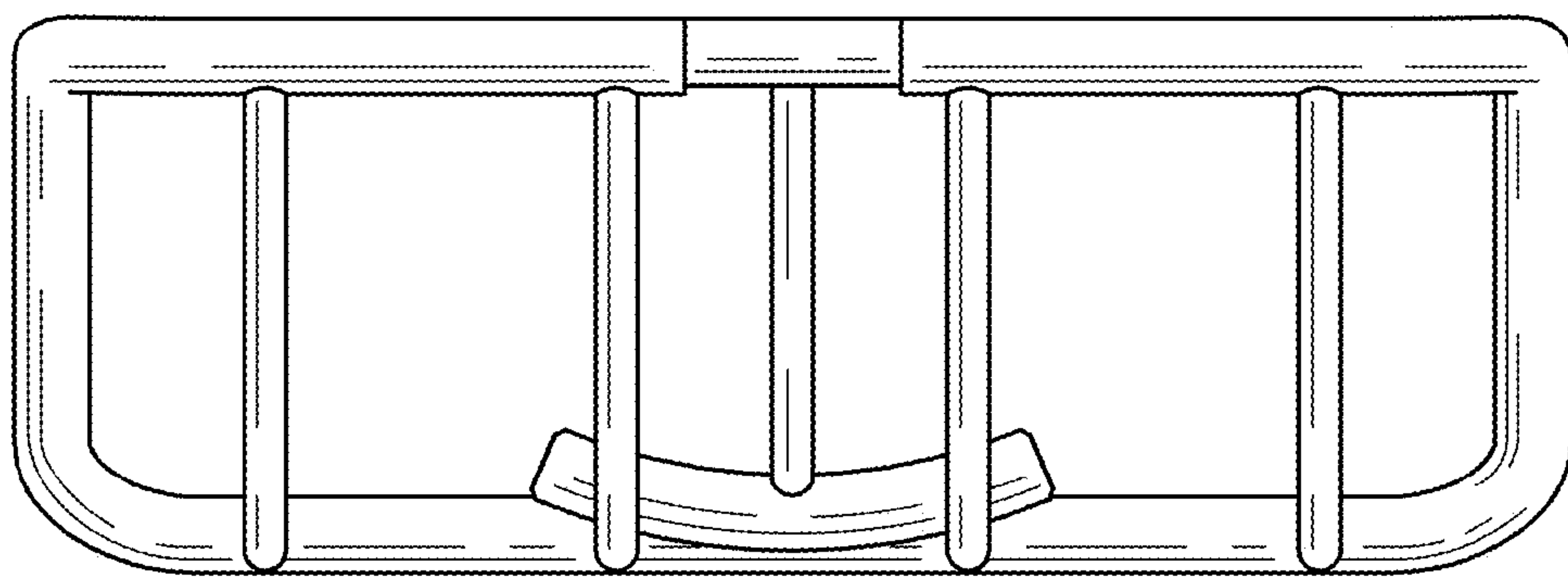


FIG. 3

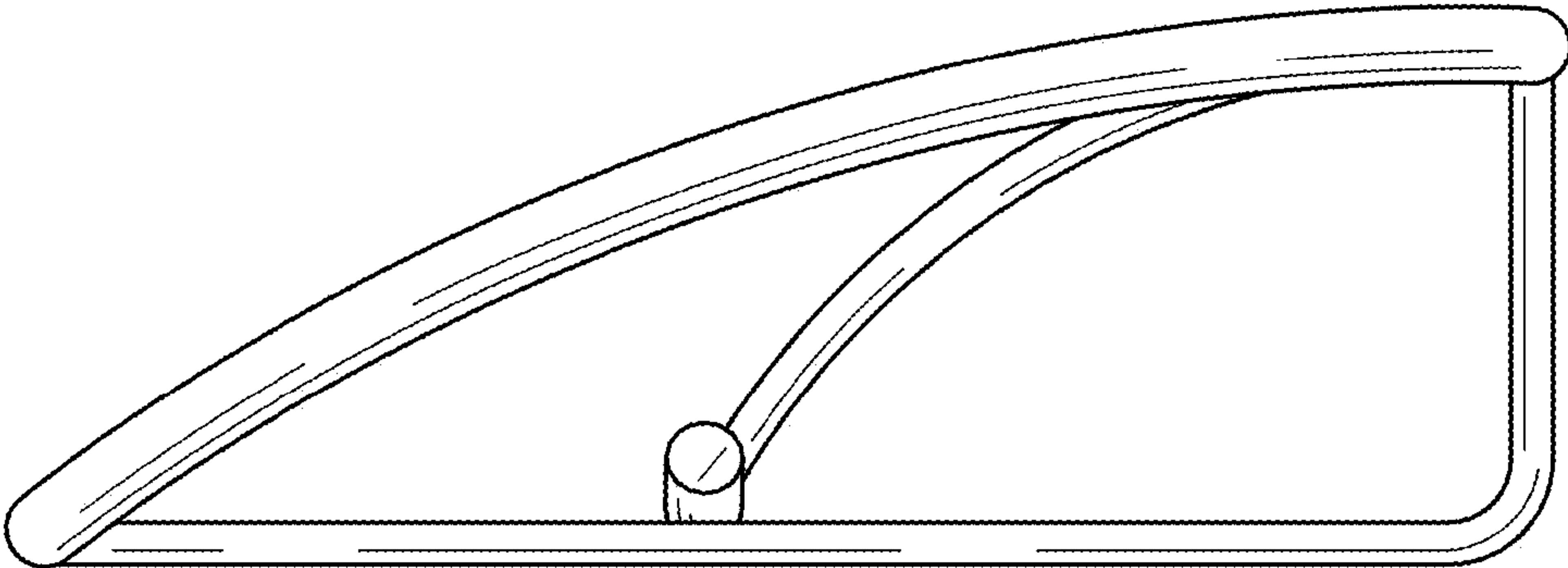


FIG. 4

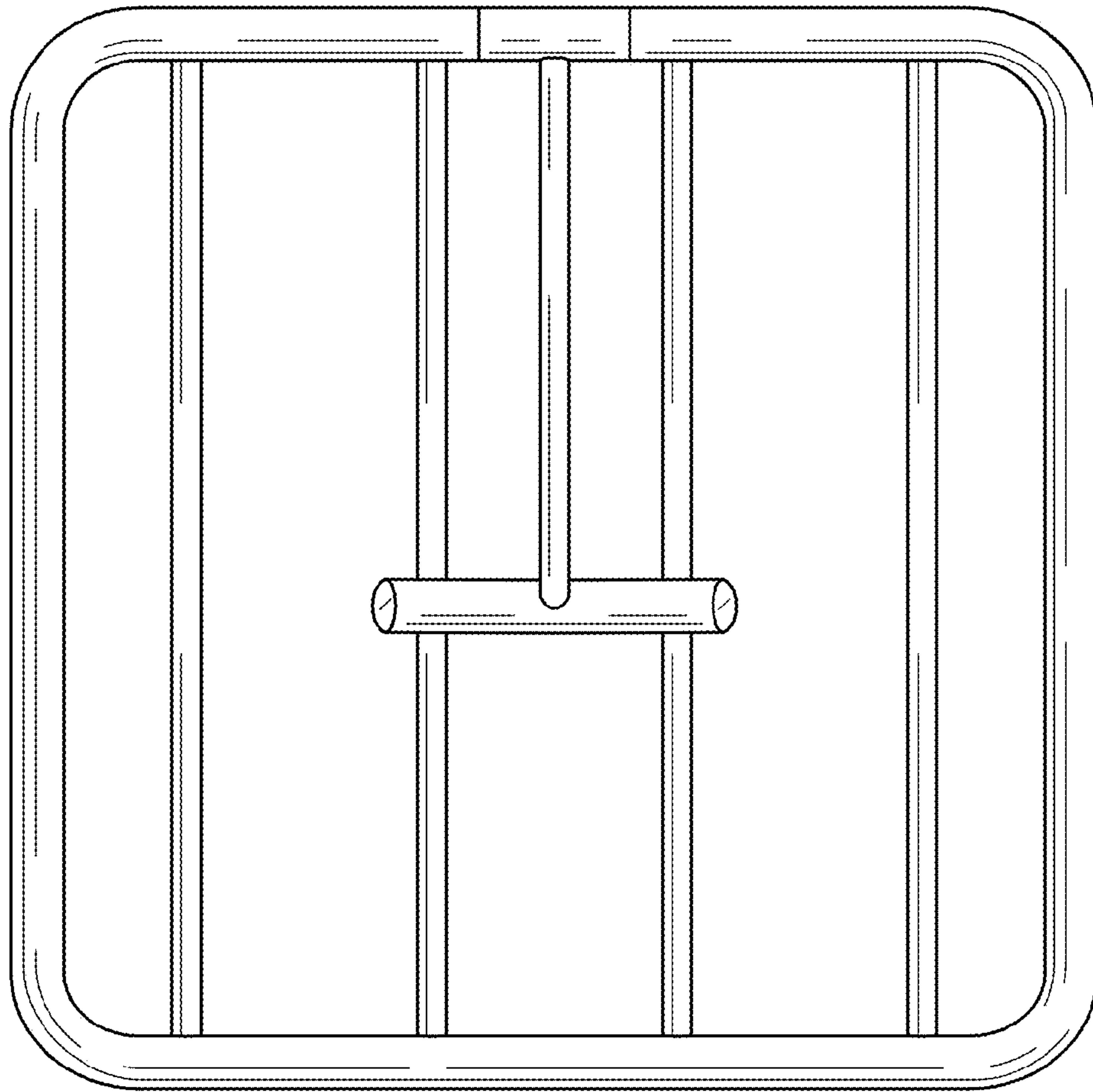


FIG. 5



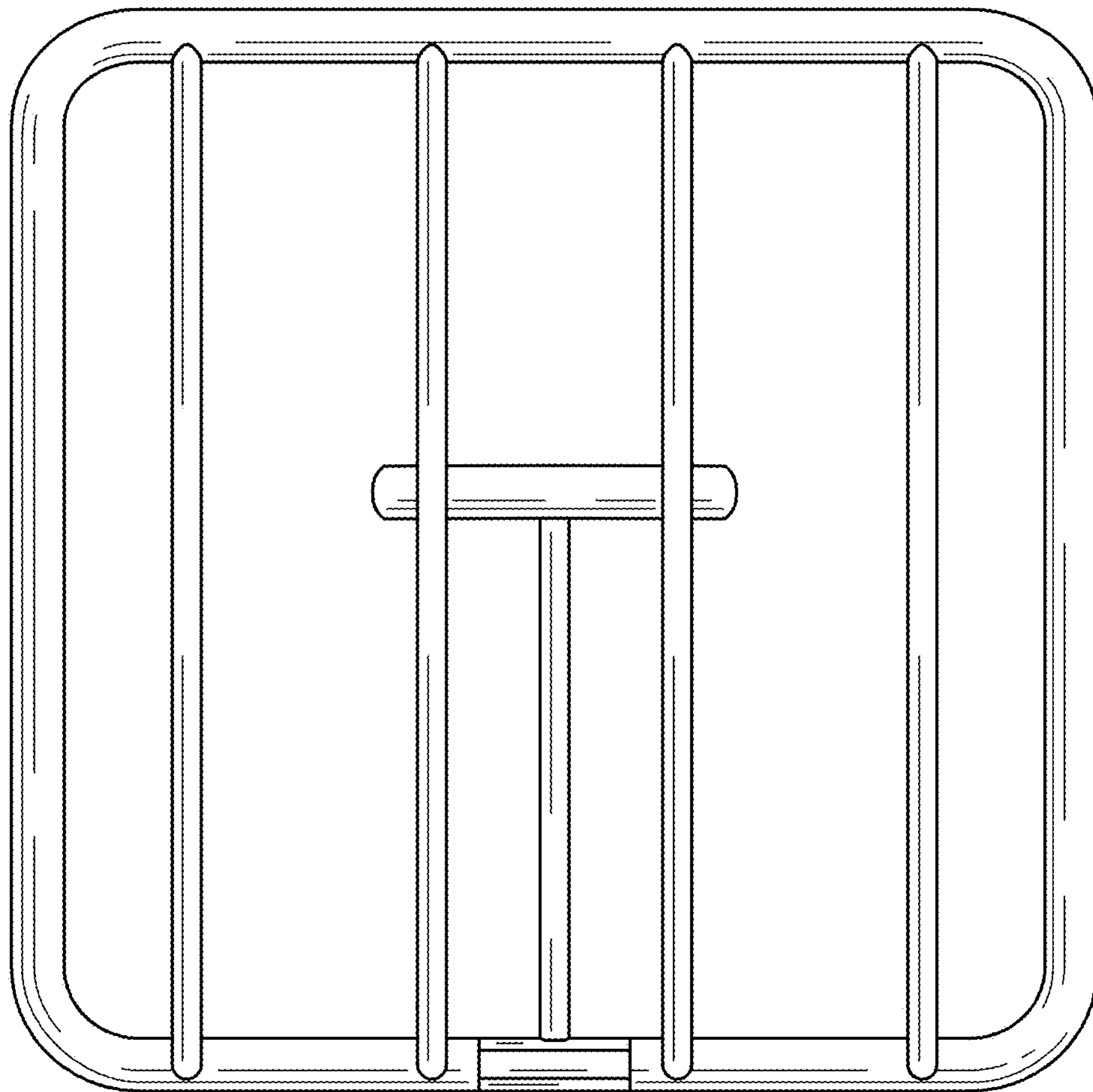


FIG. 6