



US00D744293S

(12) **United States Design Patent**
Linder

(10) **Patent No.:** **US D744,293 S**

(45) **Date of Patent:** **** Dec. 1, 2015**

(54) **CONTAINER**

(71) Applicant: **Jacqueline Linder**, Palo alto, CA (US)

(72) Inventor: **Jacqueline Linder**, Palo alto, CA (US)

(**) Term: **14 Years**

(21) Appl. No.: **29/468,646**

(22) Filed: **Oct. 1, 2013**

(51) **LOC (10) Cl.** **07-01**

(52) **U.S. Cl.**

USPC **D7/629**

(58) **Field of Classification Search**

USPC D7/672, 601, 550.1, 551.1, 551.2,
D7/551.3, 552.1, 552.2, 553.1, 553.2,
D7/553.3, 553.4, 553.5, 553.7, 553.8,
D7/554.1, 554.3, 554.4, 555, 557, 602,
D7/629, 630, 538-542, 612-615, 584, 586,
D7/587, 392.1, 709, 502, 608, 622;
D9/452, 454, 453, 435, 500, 502-505,
D9/516, 529, 549, 558, 682, 686, 688-691,
D9/779-780, 424-432, 414-423; D3/273,
D3/201-206, 276, 283, 284, 295, 274,
D3/302; 229/107, 406, 120, 125.17, 4.5,
229/938; 220/669-673, 675, 574-575,
220/573.1, 4.21, 660, 326, 236, 780-806,
220/4.24, 288, 260, 266, 306, 352, 356;
190/109, 110; 426/106; 206/216, 217,
206/541-550, 223, 467; D99/5; 215/379,
215/381-382

See application file for complete search history.

(56) **References Cited**

U.S. PATENT DOCUMENTS

D28,413 S *	3/1898	Taite	D9/504
D44,432 S *	8/1913	Bogert	D9/502
D49,587 S *	8/1916	Vivaudou	D9/504
D52,387 S *	9/1918	Gallaher	D9/772
D216,552 S *	2/1970	Curry	D7/629
D227,003 S *	5/1973	Graham	D9/504

D287,802 S *	1/1987	Daenen	D7/540
D332,897 S *	2/1993	Bucher et al.	D7/629
D398,079 S *	9/1998	Denison	D28/82
D400,787 S *	11/1998	Keener	D9/719
D445,032 S *	7/2001	Hammer	D9/504
D467,363 S *	12/2002	West	D26/10
D494,474 S *	8/2004	Houk et al.	D9/504
D495,956 S *	9/2004	Martinez	D9/529
D523,752 S *	6/2006	Bried et al.	D9/504
D581,809 S *	12/2008	Wichowski	D9/772
D627,650 S *	11/2010	Yeung	D9/504
D641,257 S *	7/2011	Thiebaut et al.	D9/738
D657,249 S *	4/2012	Bakic	D9/503
D659,539 S *	5/2012	Bakic	D9/503
8,458,996 B2 *	6/2013	Bried et al.	53/471

(Continued)

OTHER PUBLICATIONS

Amazon.com: LunchBots Dips Condiment Container, 1.5-Ounce, Set of 3, [online], reviewed on Aug. 22, 2012, retrieved on Jul. 25, 2014. Retrieved from, <URL: <http://www.amazon.com/LunchBots-Dips-Condiment-Containers-1-5-Ounce/> . . . >, 2 pages.*

(Continued)

Primary Examiner — Ian Simmons

Assistant Examiner — Shannon Morgan

(74) *Attorney, Agent, or Firm* — Mitchell Law PLLC; Matthew W. Mitchell

(57) **CLAIM**

The ornamental design for a container, as shown and described.

DESCRIPTION

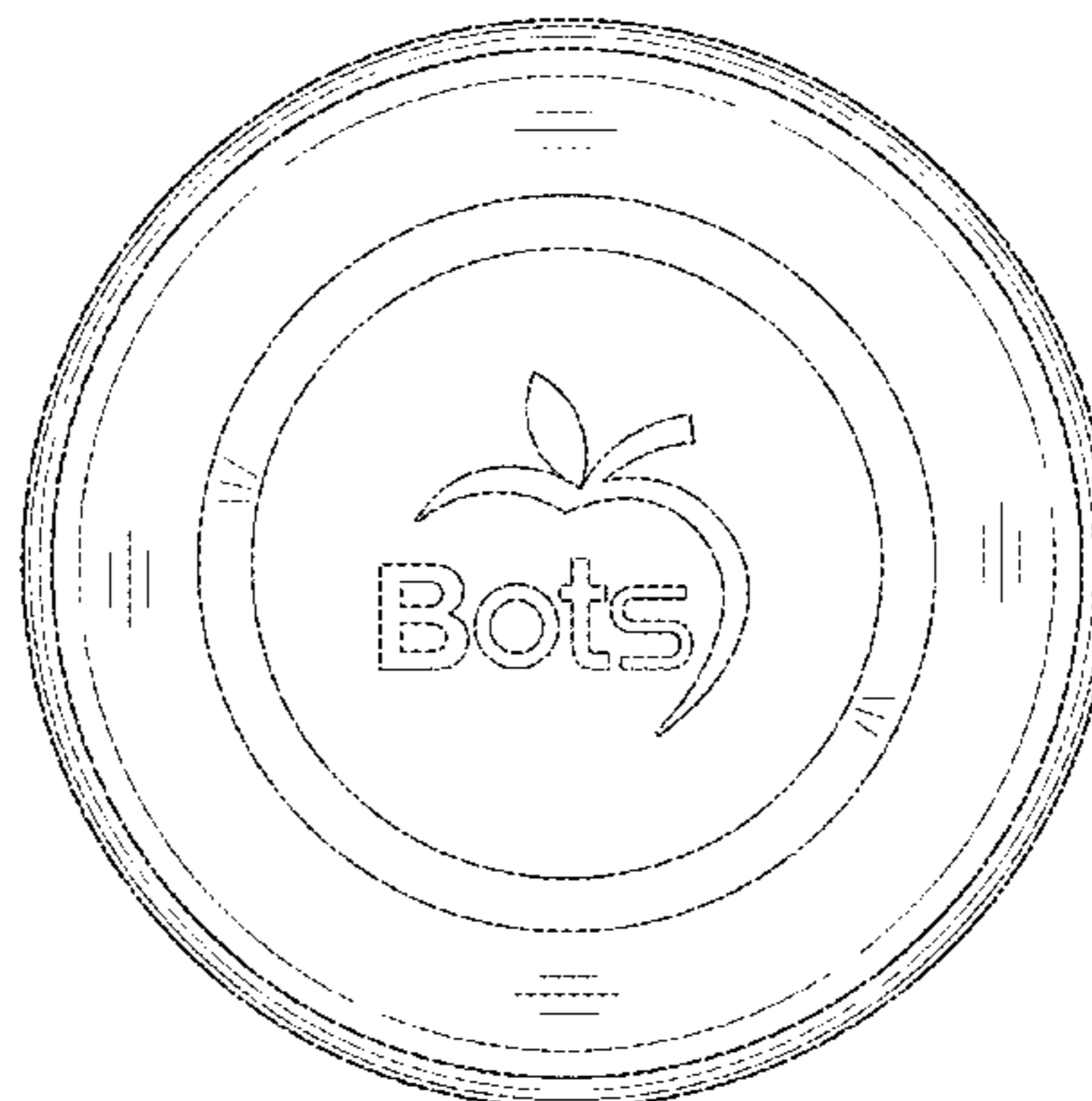
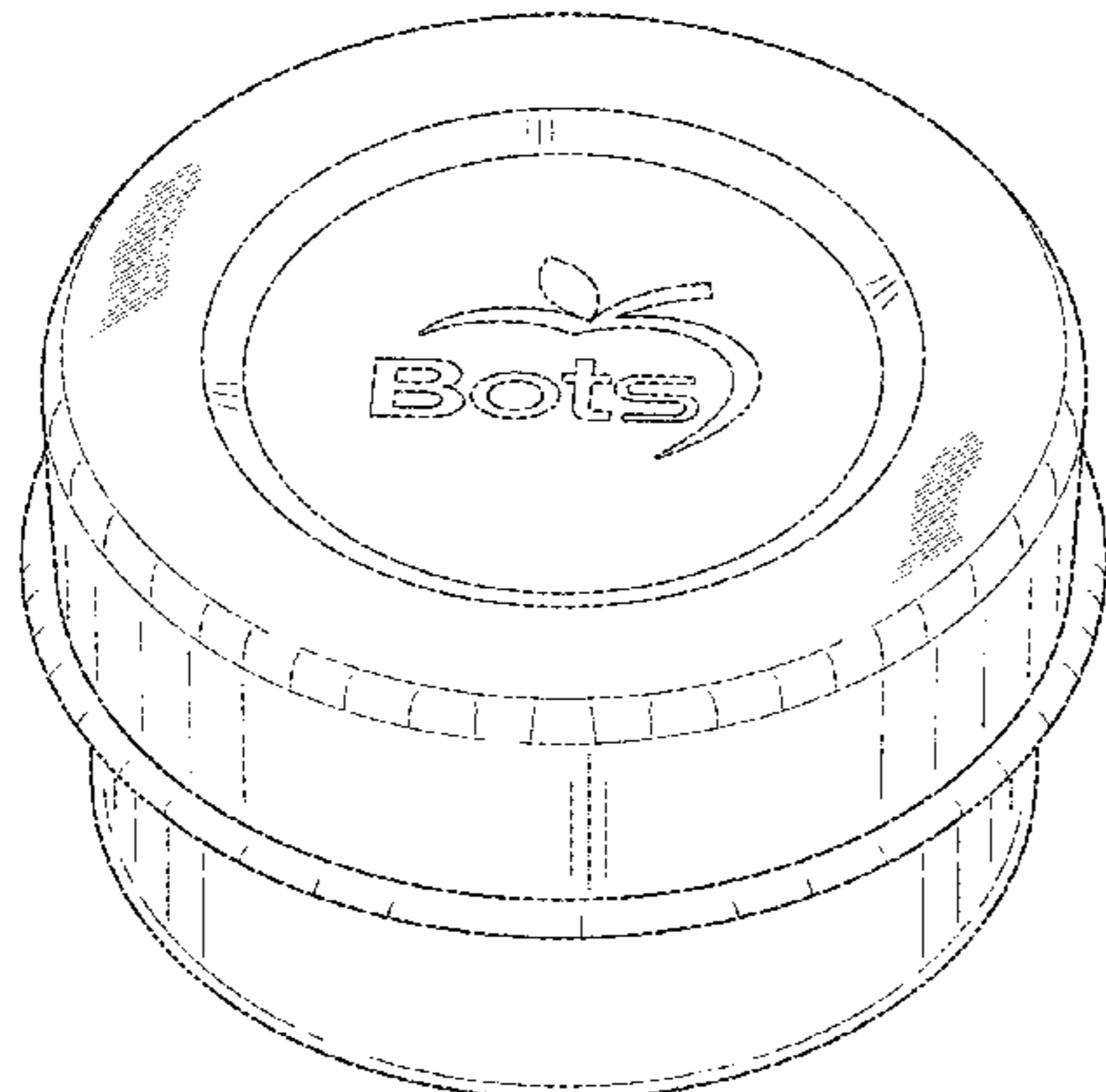
FIG. 1 is a front perspective view of a container showing the new design;

FIG. 2 is a top plan view thereof; and,

FIG. 3 is a side view of the container of FIG. 1 wherein rotations of 120-degrees being identical to the side view shown.

The broken lines shown in FIG. 3 represent portions of the container that form no part of the claimed design.

1 Claim, 2 Drawing Sheets



(56)

References Cited

U.S. PATENT DOCUMENTS

D695,116 S *	12/2013	Ahn	D9/503
D696,120 S *	12/2013	You	D9/503
D697,800 S *	1/2014	Villarreal et al.	D9/500
D697,806 S *	1/2014	In	D9/503
D707,561 S *	6/2014	You	D9/503
2008/0006632 A1 *	1/2008	Vovan	220/266

OTHER PUBLICATIONS

Amazon.com: Kids Konserve Stainless Steel Mini Food Containers, [online], reviewed on Feb. 3, 2010, retrieved on Jul. 25, 2014. Retrieved from, <URL: [http://www.amazon.com/Kids-Konserve-Stainless-Steel . . .](http://www.amazon.com/Kids-Konserve-Stainless-Steel...)>, 1 page.*

Amazon.com: To-Go Ware Large Sidekick Snack Container, [online], reviewed on Feb. 20, 2010, retrieved on Jul. 25, 2014.

Retrieved from, <URL: [http://www.amazon.com/To-Go-Ware-Large-Sidekick . . .](http://www.amazon.com/To-Go-Ware-Large-Sidekick...)>, 1 page.*

Amazon.com: To-Go Ware Small Sidekick Dressing Container, [online], reviewed on Feb. 12, 2010, retrieved on Jul. 25, 2014. Retrieved from, <URL: [http://www.amazon.com/To-Go-Ware-Sidekick-Dressing-Container/dp . . .](http://www.amazon.com/To-Go-Ware-Sidekick-Dressing-Container/dp...)>, 1 page.*

Lunchbots Dips Condiment Containers—Wayback Machine, [online], crawled on Feb. 25, 2013, retrieved on Jul. 25, 2014. Retrieved from, <URL: [http://web.archive.org/web/20130225075844/http://mightynest.com/shop/reusable-gear/fo . . .](http://web.archive.org/web/20130225075844/http://mightynest.com/shop/reusable-gear/fo...)>, 1 page.*

Stainless Steel Food Containers—Wayback Machine, [online], crawled on Aug. 4, 2013, retrieved on Jul. 25, 2014. Retrieved from, <URL: [http://web.archive.org/web/20130804075546/http://mightynest.com . . .](http://web.archive.org/web/20130804075546/http://mightynest.com...)>, 1 page.*

<https://web.archive.org/web/20130809162709/http://www.onyxcontainers.com/118-condiment-container.html>, Aug. 9, 2013, internet web page.

* cited by examiner

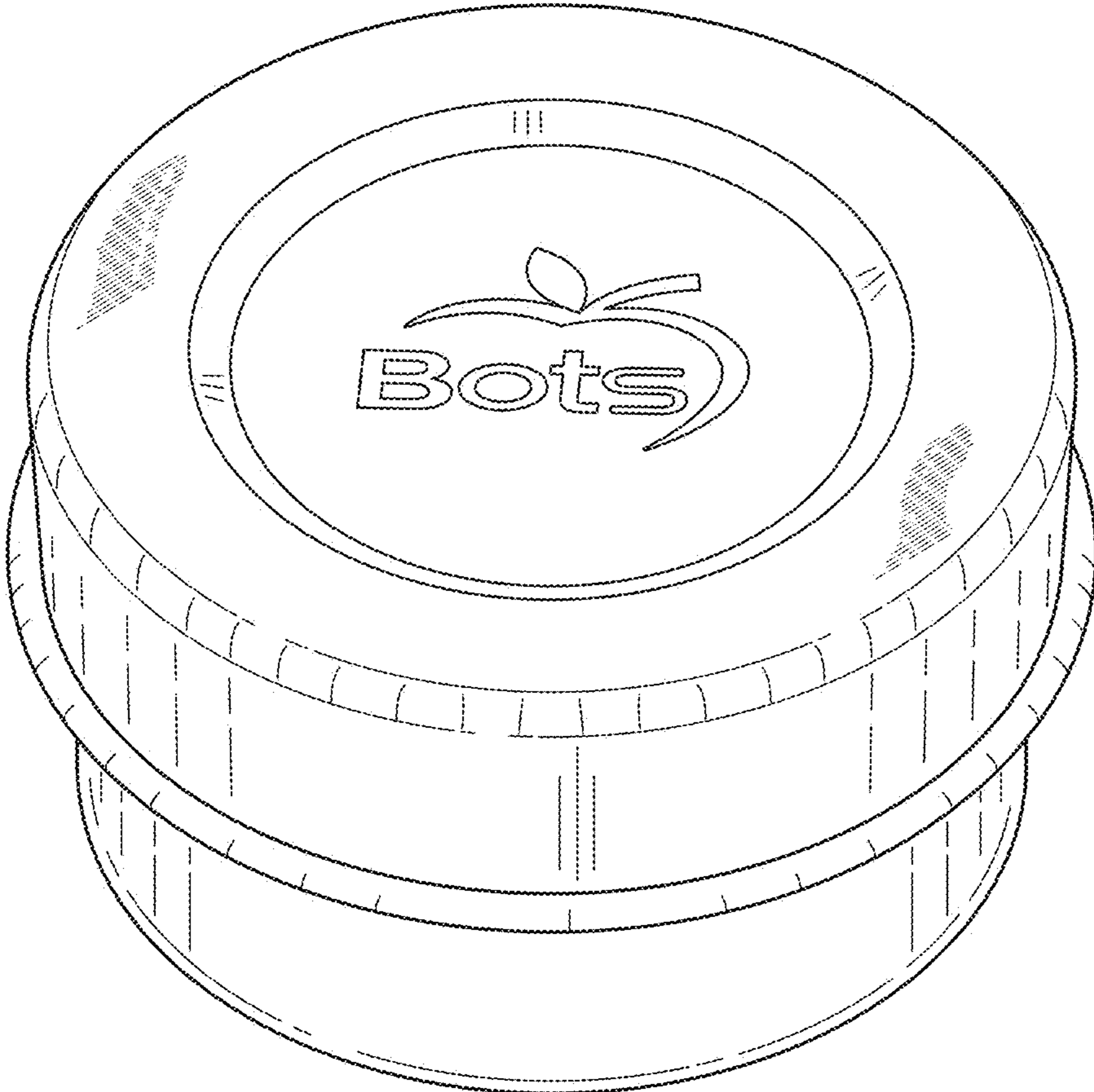


FIG. 1

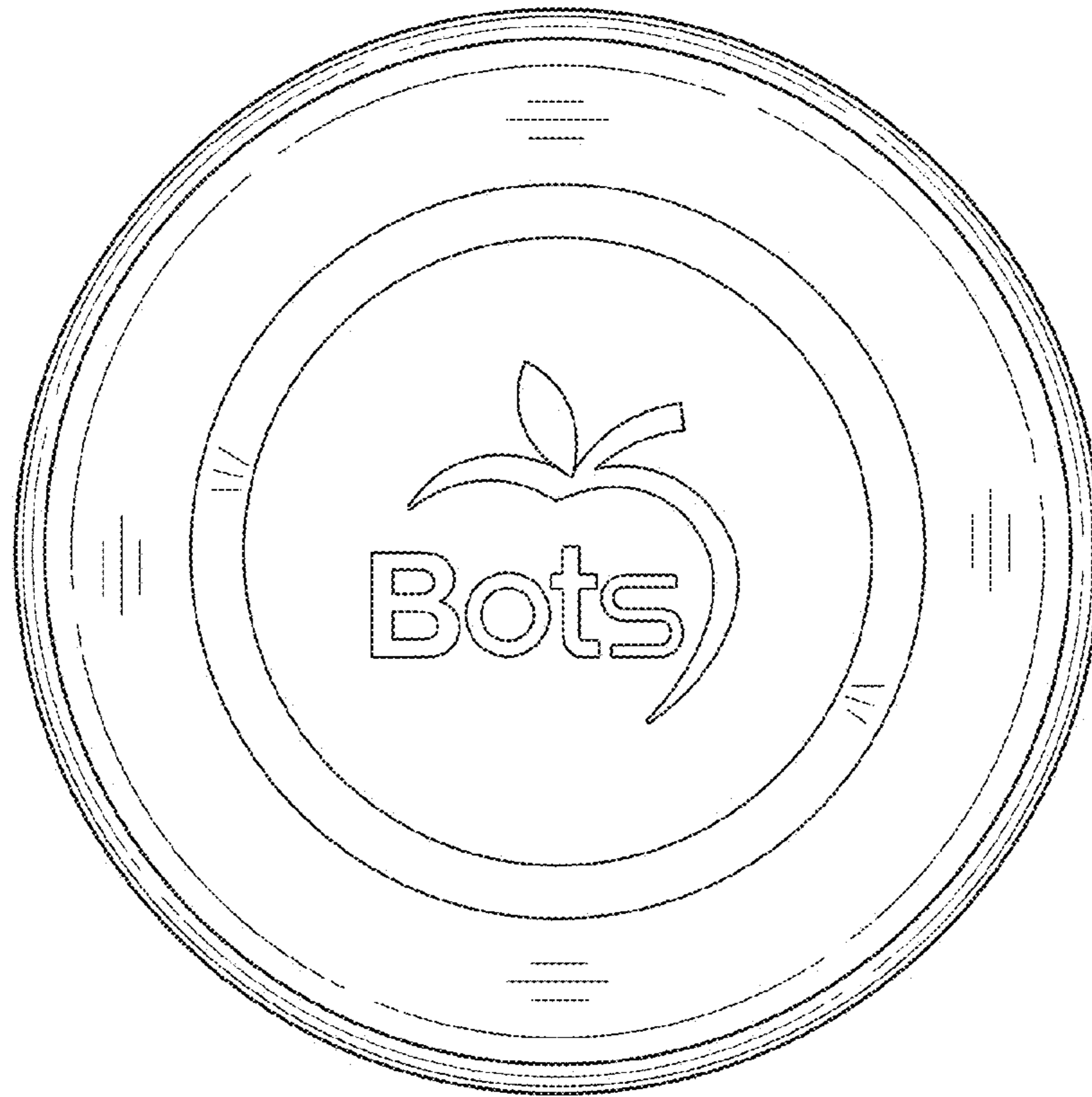


FIG. 2

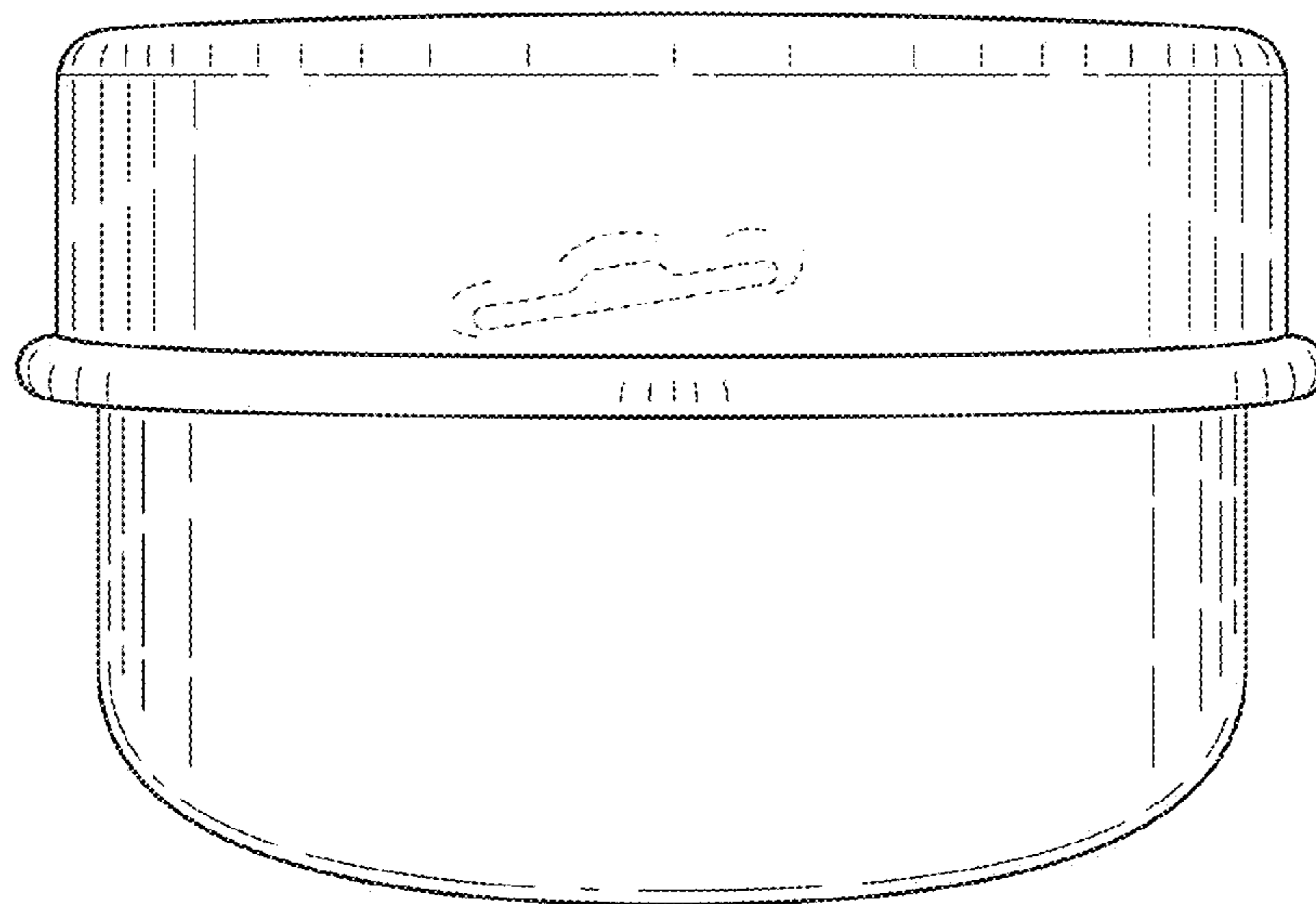


FIG. 3