



US00D744289S

(12) **United States Design Patent**
Tiemann et al.

(10) **Patent No.:** **US D744,289 S**
(45) **Date of Patent:** **** Dec. 1, 2015**

(54) **CAROUSEL FOR HOLDING BEVERAGE CARTRIDGES**

D609,533 S 2/2010 Tiemann
D617,124 S 6/2010 Snider
D620,280 S 7/2010 Snider
D621,640 S 8/2010 Tiemann
D626,382 S 11/2010 Tiemann
D629,655 S 12/2010 Tiemann
D634,978 S 3/2011 Tiemann
D636,643 S 4/2011 Tiemann

(71) Applicant: **Nifty Home Products, Inc.**, Madison Lake, MN (US)

(72) Inventors: **Frank R. Tiemann**, Madison Lake, MN (US); **Richard W. Vogelgesang, II**, Madison Lake, MN (US); **Todd M. Hertaus**, New Market, MN (US); **Nicholas J. Teigland**, Mankato, MN (US)

(Continued)

FOREIGN PATENT DOCUMENTS

CA 138042 7/2011
CA 152013 3/2014

(73) Assignee: **Nifty Home Products, Inc.**, Madison Lake, MN (US)

OTHER PUBLICATIONS

Smart Works, ebay.com, Coffee Pod Drawer, accessed on Apr. 17, 2014.

(**) Term: **14 Years**

Primary Examiner — Terry Wallace

(21) Appl. No.: **29/490,441**

(74) *Attorney, Agent, or Firm* — Thomas J. Nikolai; Nikolai & Mersereau, P.A.

(22) Filed: **May 9, 2014**

(51) **LOC (10) Cl.** **07-06**

(52) **U.S. Cl.**
USPC **D7/600.2**

(58) **Field of Classification Search**
USPC D7/600.1–600.4, 590, 600, 701–708;
211/14, 59.2, 70.6, 70.7, 71.01, 74, 75,
211/77, 78, 85.26, 85.4, 85.5, 106, 126.7,
211/129.1, 131.1, 133.1, 133.2, 133.4,
211/133.5, 133.6; D6/678.4, 678, 677.5,
D6/676.5, 512, 552
CPC A47B 49/00; A47B 81/007; A47B 73/00
See application file for complete search history.

(57) **CLAIM**

The ornamental design for the “carousel for holding beverage cartridges,” as shown and described.

DESCRIPTION

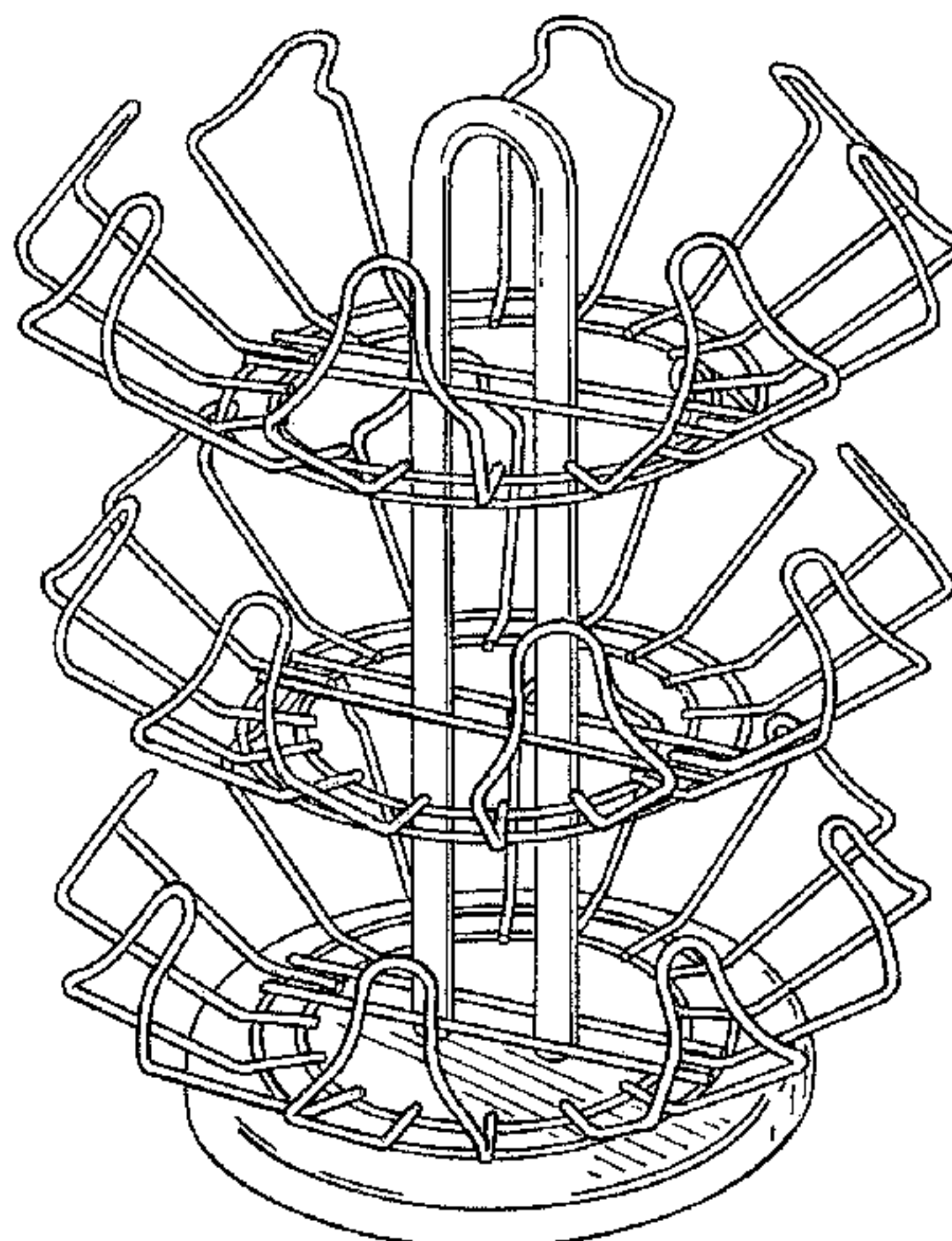
FIG. 1 is a perspective view of the carousel for holding beverage cartridges;
FIG. 2 is a perspective view thereof with the beverage cartridges shown in phantom;
FIG. 3 is a front view thereof;
FIG. 4 is a right side view thereof;
FIG. 5 is a rear view thereof;
FIG. 6 is a left side view thereof;
FIG. 7 is a top view thereof; and,
FIG. 8 is a bottom side view thereof.
The broken lines in FIG. 2 are for the purpose of illustrating the environment and form no part of the claimed design.

(56) **References Cited**

U.S. PATENT DOCUMENTS

3,194,403 A * 7/1965 Van Horn, Jr. 211/78
D536,936 S 2/2007 Tiemann
D544,308 S 6/2007 Tiemann
D586,185 S 2/2009 Tiemann
D609,057 S 2/2010 Hertaus

1 Claim, 4 Drawing Sheets



(56)

References Cited

U.S. PATENT DOCUMENTS

D640,884 S	7/2011	Tiemann	D662,782 S	7/2012	Tiemann
D643,684 S	8/2011	Tiemann	D664,401 S	7/2012	Tiemann
D648,600 S	11/2011	Tiemann	D680,382 S	4/2013	Tiemann
D650,240 S	* 12/2011	Hertaus D7/600.2	D680,385 S *	4/2013	Hsu D7/600.4
			D688,529 S	8/2013	Tiemann
			D688,919 S	9/2013	Tiemann
			2007/0045206 A1 *	3/2007	Tiemann 211/77

* cited by examiner

FIG. 1

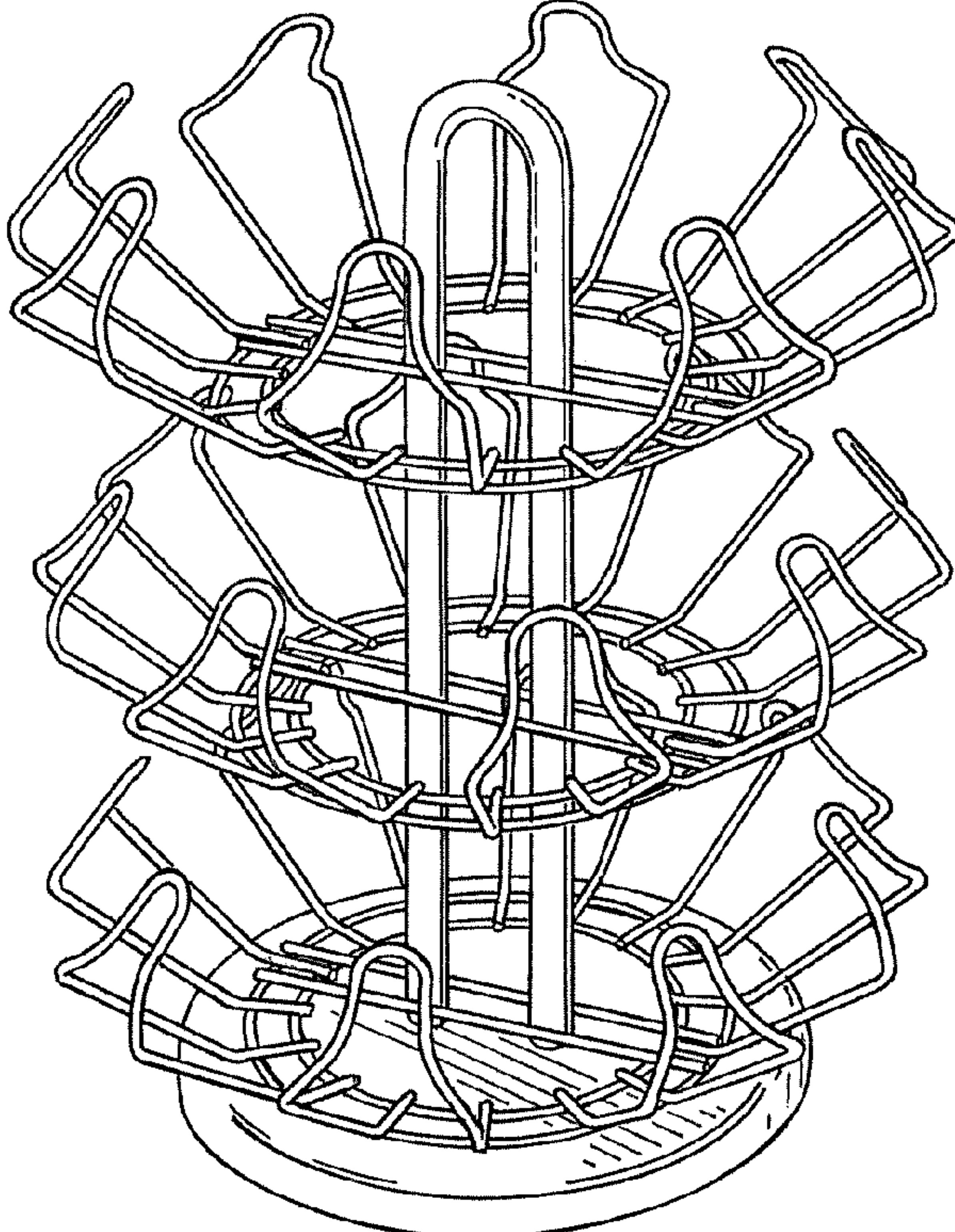


FIG. 2

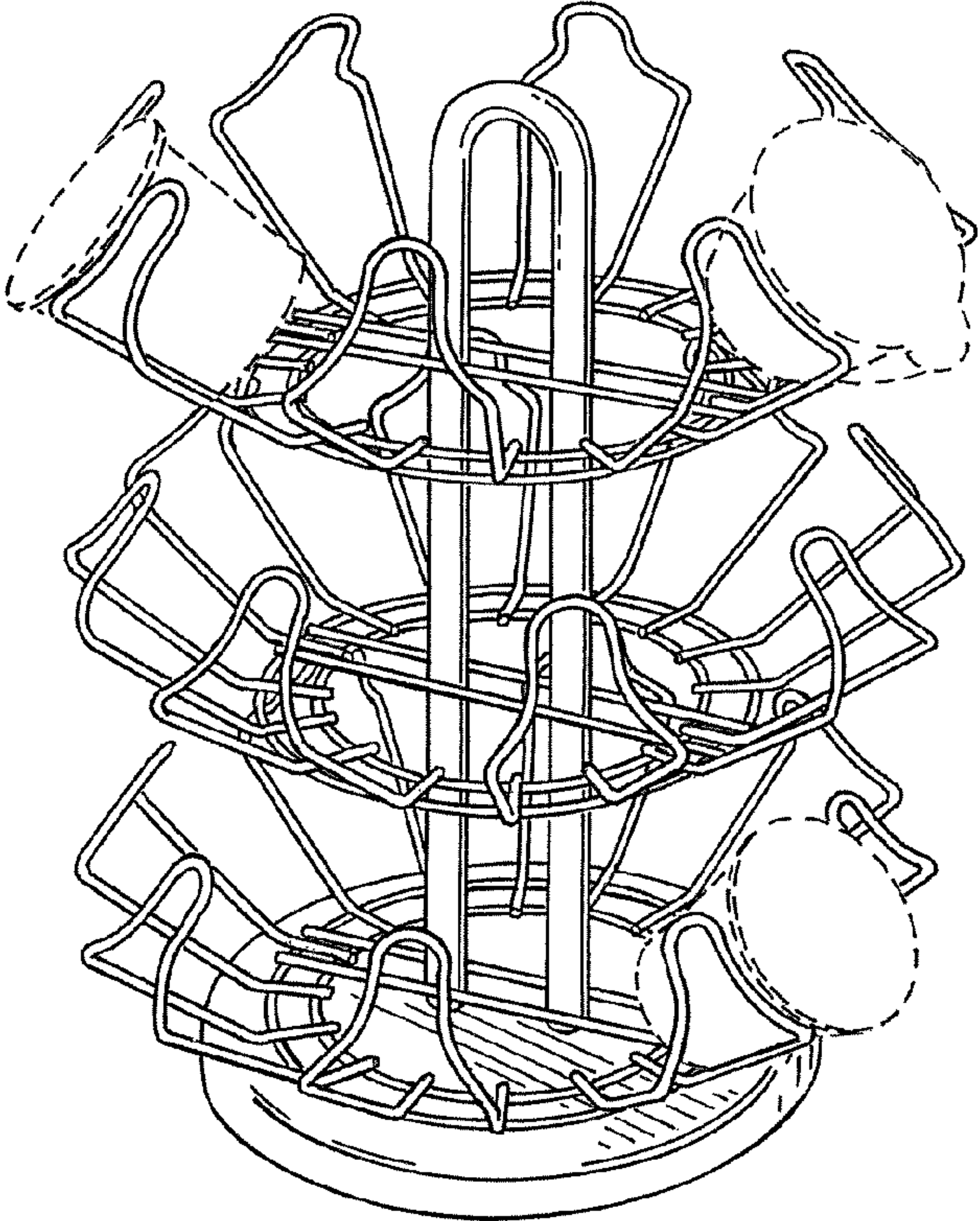


FIG. 4

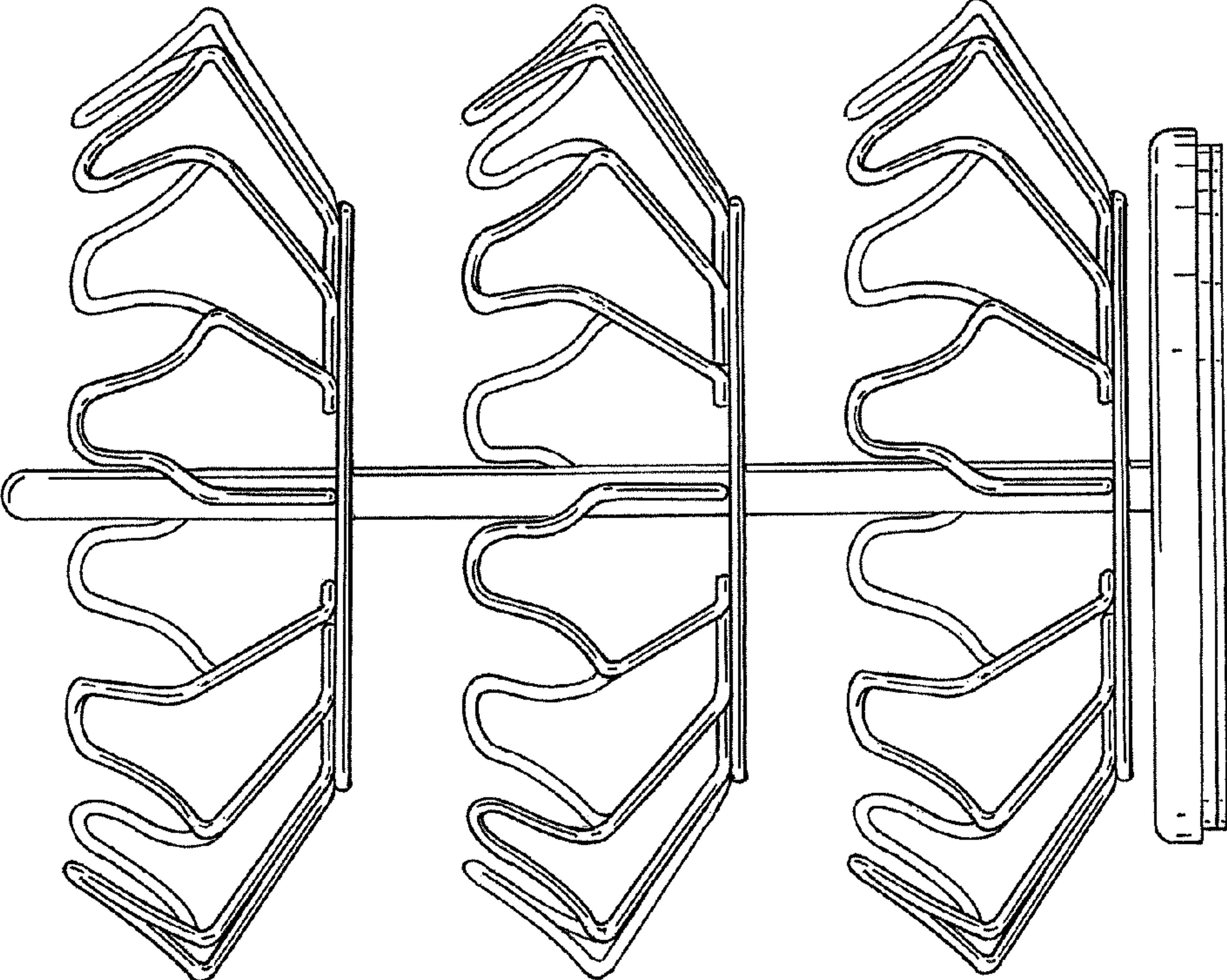


FIG. 3

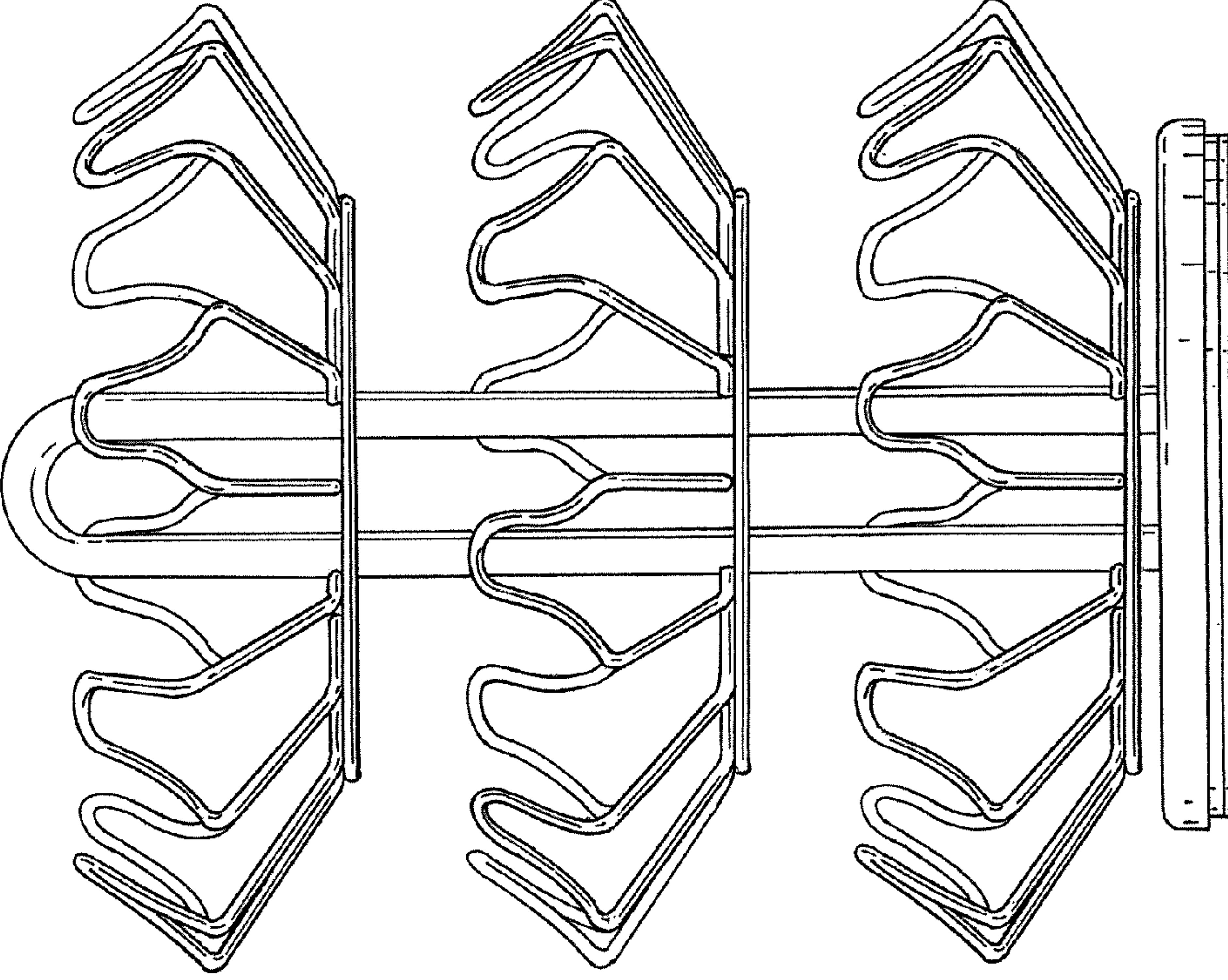


FIG. 6

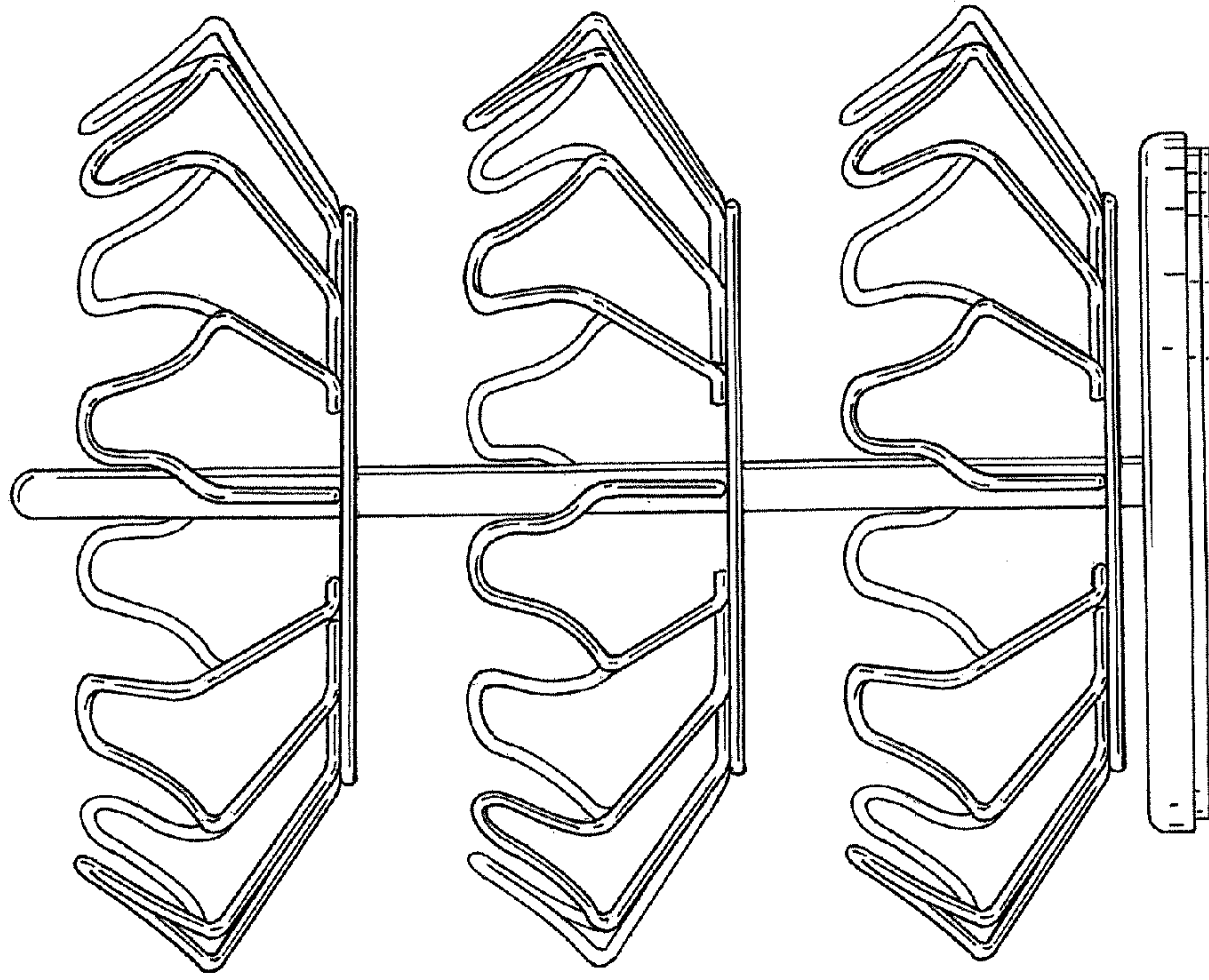


FIG. 5

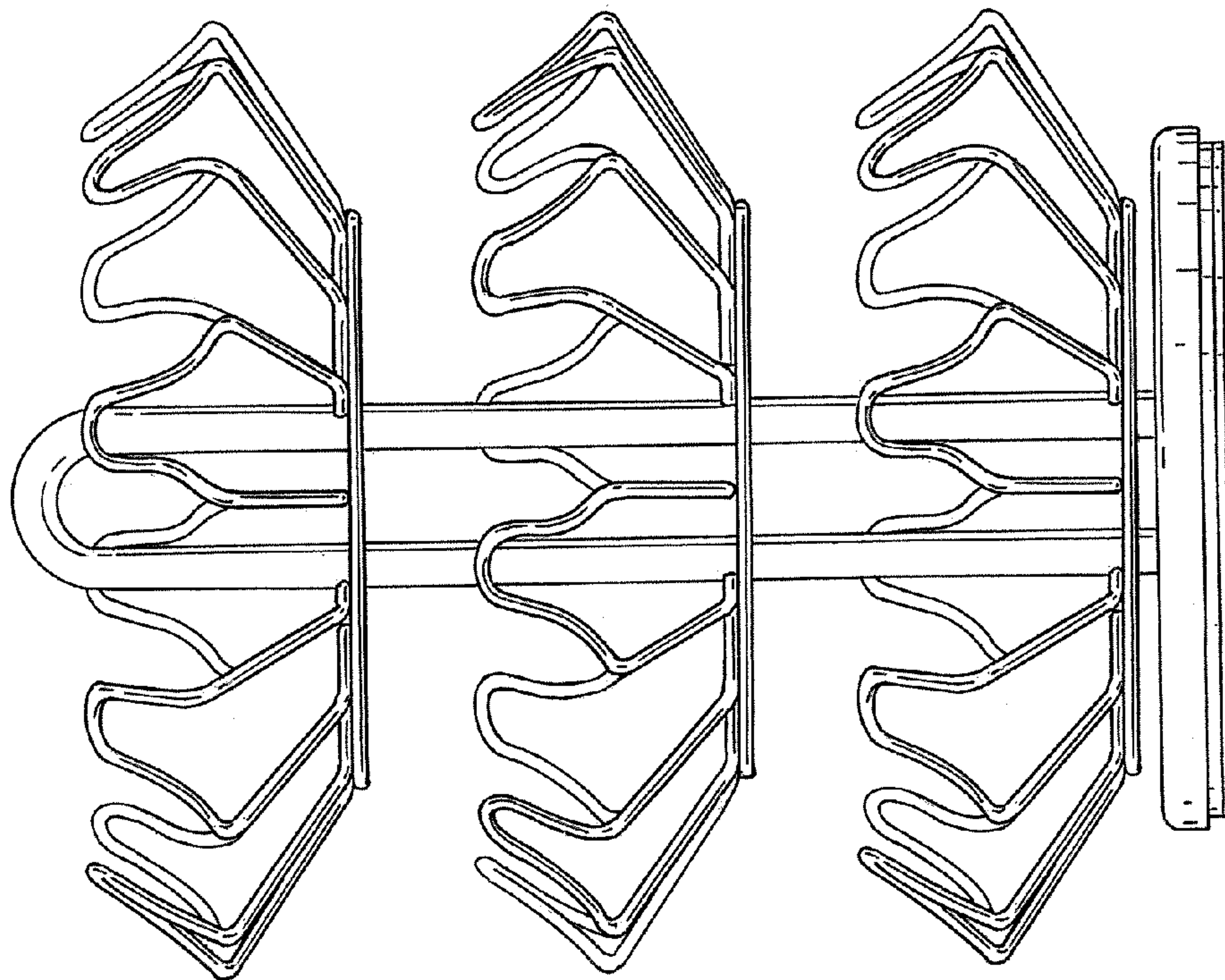


FIG. 7

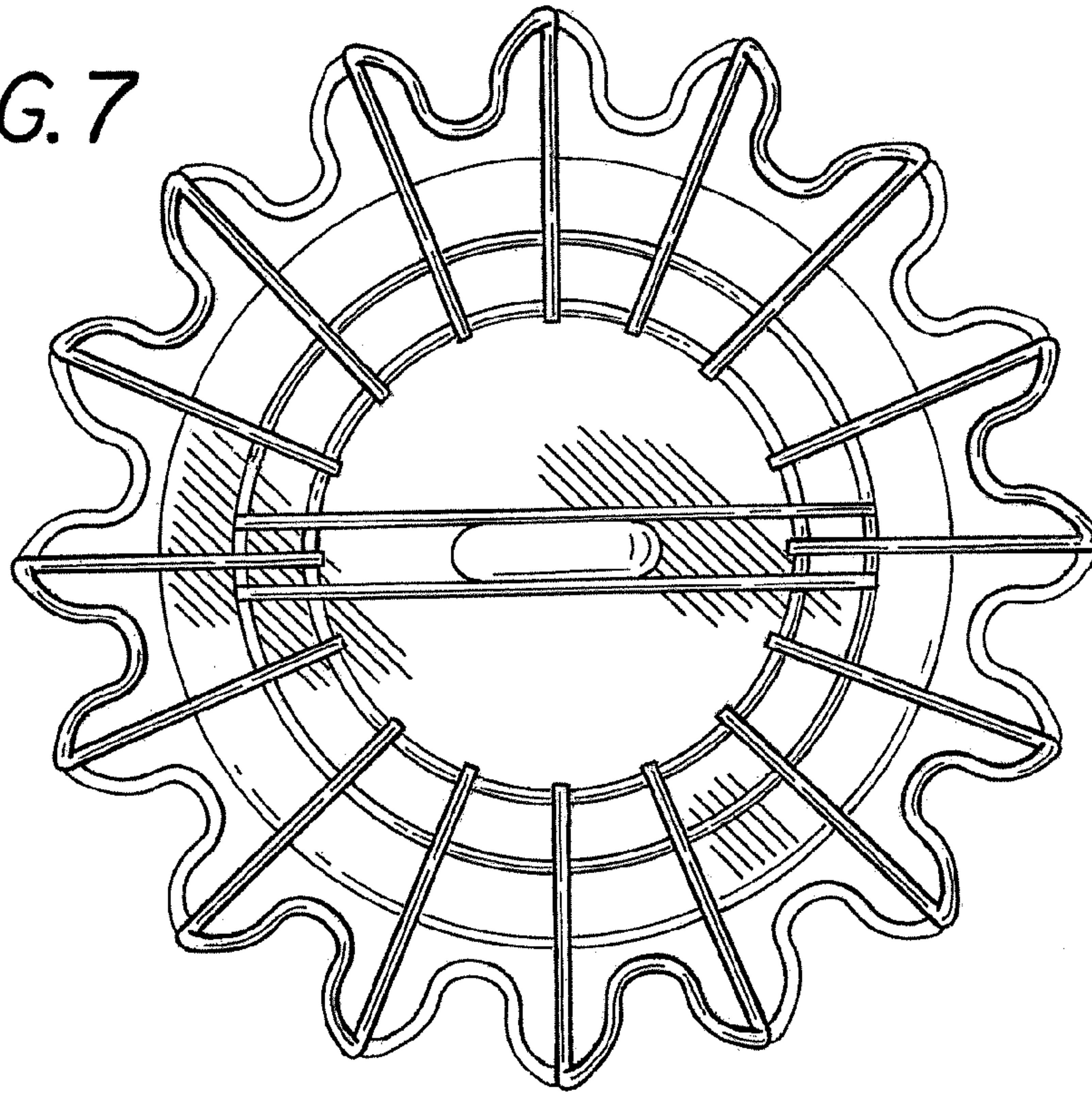


FIG. 8

