



US00D744287S

(12) **United States Design Patent**  
**Bodum**

(10) **Patent No.:** **US D744,287 S**  
(45) **Date of Patent:** **\*\* Dec. 1, 2015**

(54) **DRINKING GLASS**

(71) Applicant: **Pi-Design AG**, Triengen (CH)

(72) Inventor: **Jorgen Bodum**, Meggen (CH)

(73) Assignee: **Pi-Design AG** (CH)

(\*\*) Term: **14 Years**

(21) Appl. No.: **29/496,216**

(22) Filed: **Jul. 10, 2014**

(30) **Foreign Application Priority Data**

Jan. 14, 2014 (WO) ..... DM/082 677

(51) **LOC (10) Cl.** ..... **07-01**

(52) **U.S. Cl.**  
USPC ..... **D7/532; D7/523**

(58) **Field of Classification Search**  
USPC ..... D7/509, 512, 514, 516, 517, 523, 529,  
D7/591, 594, 608, 624.1, 624.2, 391,  
D7/392.1, 396.2, 396.4, 519, 607, 532,  
D7/326, 510; D9/501, 502, 444;  
220/592.16, 592.17, 592.23, 592.24,  
220/674, 676, 592.2, 703; 229/400, 403,  
229/405; 215/382, 387; 206/520; D11/3, 4,  
D11/6; D3/202; D5/1, 2, 3, 4, 17, 23, 25,  
D5/29, 58; D25/60, 153, 156, 157, 164,  
D25/261, 259  
CPC ..... A47G 19/2288; A47G 2023/0291;  
A47G 19/2205; A47G 19/22; B65D 3/22;  
B65D 1/265

See application file for complete search history.

(56) **References Cited**

**U.S. PATENT DOCUMENTS**

D98,614 S \* 2/1936 Prouty ..... D7/532  
D234,110 S \* 1/1975 Achenbach ..... D7/532  
D244,502 S \* 5/1977 Harbaugh et al. .... D7/532  
D438,430 S \* 3/2001 Gabrhel ..... D7/523

D468,588 S \* 1/2003 Norris et al. .... D7/532  
D519,785 S \* 5/2006 Bodum ..... D7/523  
D543,784 S \* 6/2007 Assez ..... D7/523  
D550,033 S \* 9/2007 Bodum ..... D7/509  
D551,502 S \* 9/2007 Bodum ..... D7/509  
D553,437 S \* 10/2007 Bodum ..... D7/523  
D553,440 S \* 10/2007 Bodum ..... D7/523  
D553,909 S \* 10/2007 Bodum ..... D7/523  
D555,430 S \* 11/2007 Tien ..... D7/532  
D563,172 S \* 3/2008 Bodum ..... D7/523  
D565,354 S \* 4/2008 Bodum ..... D7/523  
D565,904 S \* 4/2008 Bodum ..... D7/524

(Continued)

**OTHER PUBLICATIONS**

Bodum catalog Feb. 2014, front page, pp. 78 to 84.

*Primary Examiner* — Marianne Pandozzi

*Assistant Examiner* — Jae Liang

(74) *Attorney, Agent, or Firm* — Saidman DesignLaw Group, LLC

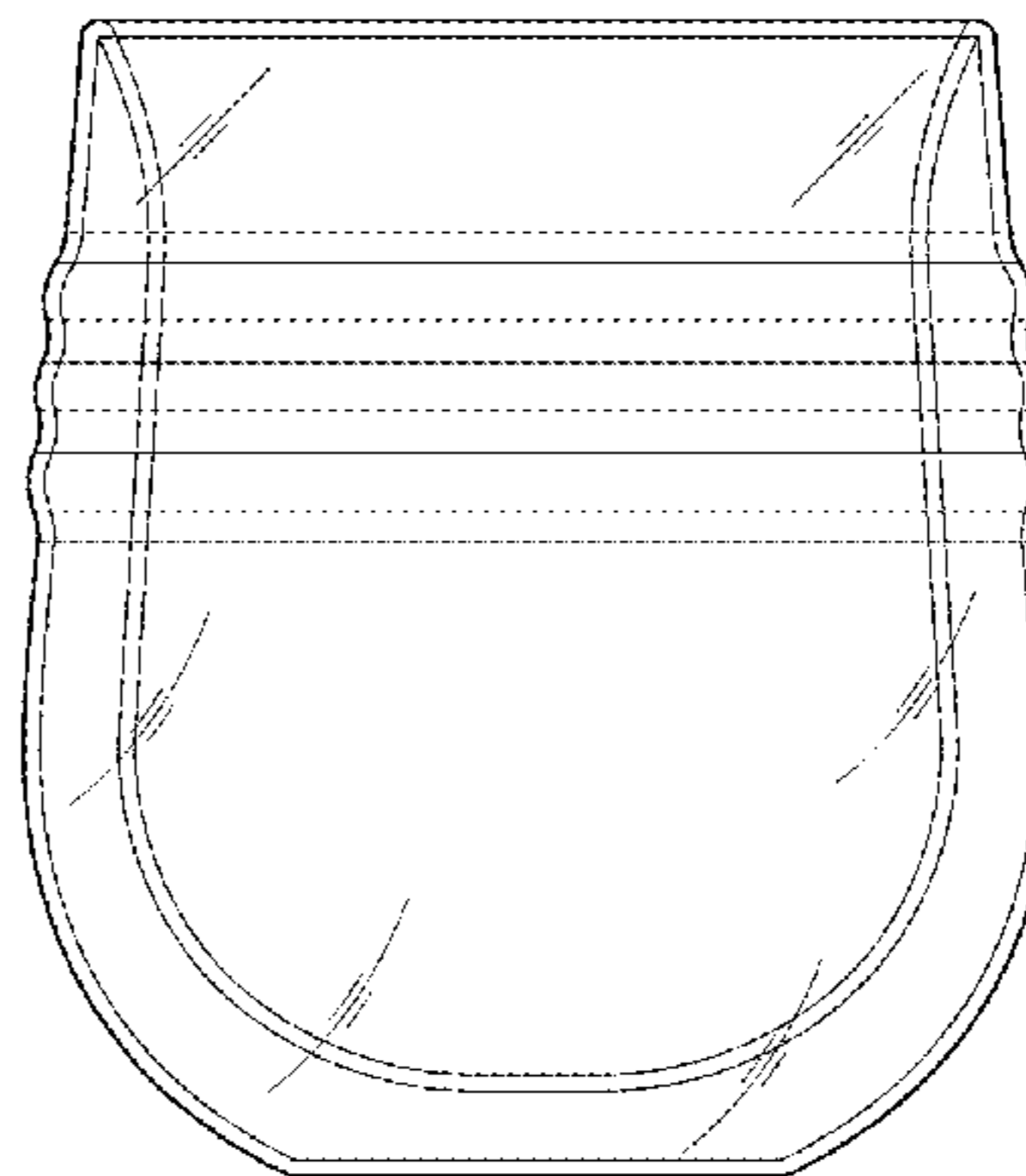
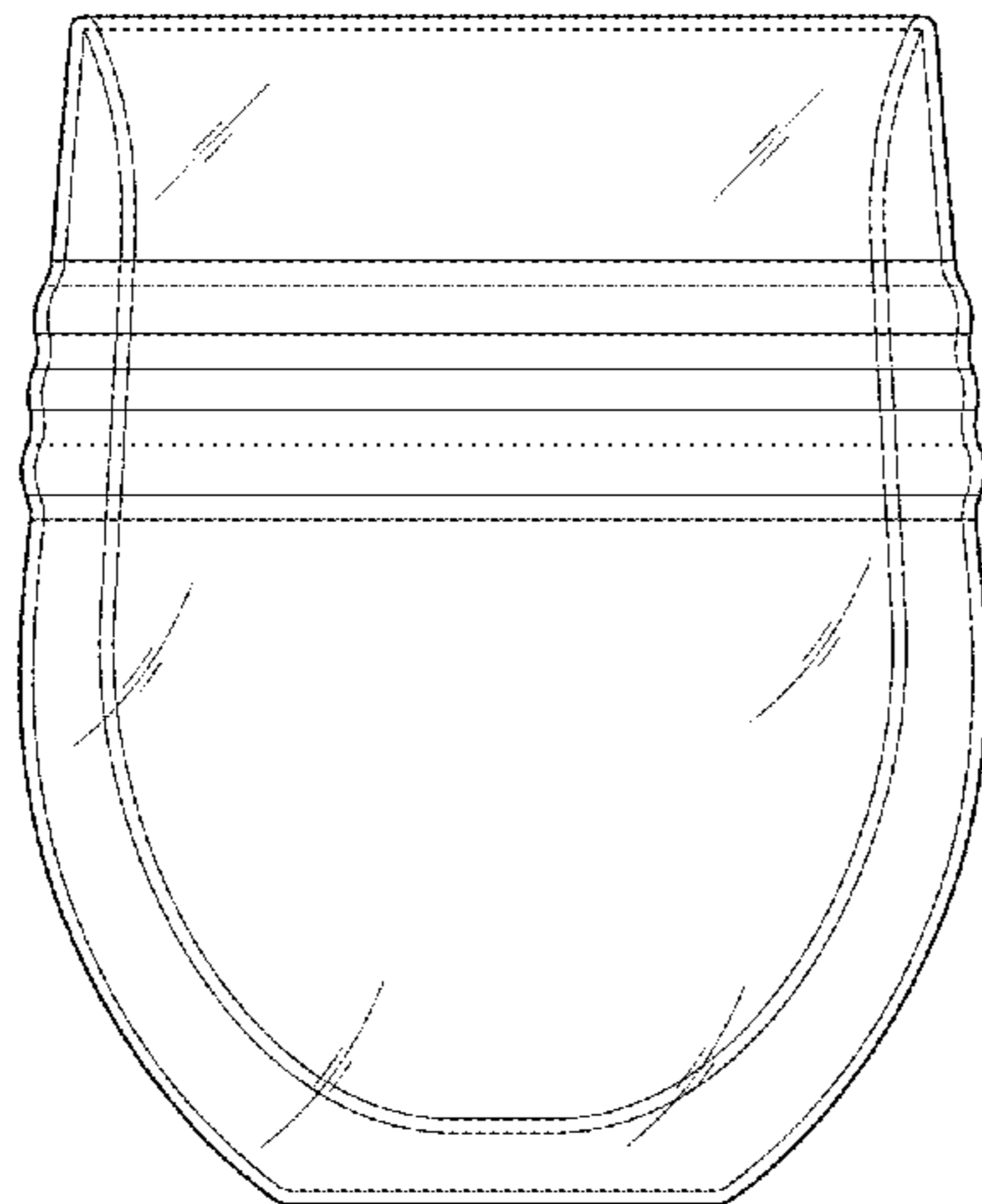
(57) **CLAIM**

The ornamental design for a drinking glass, as shown and described.

**DESCRIPTION**

FIG. 1 is a perspective view of a first embodiment of a drinking glass showing my new design;  
FIG. 2 is a front view thereof; the rear, left and right side views being identical thereto;  
FIG. 3 is a top view thereof;  
FIG. 4 is a bottom view thereof;  
FIG. 5 is a perspective view of a second embodiment thereof, FIG. 6 is a front view thereof; the rear, left and right side views being identical thereto;  
FIG. 7 is a top view thereof; and,  
FIG. 8 is a bottom view thereof.  
The diagonal and curved surface shading represents contour and transparency.  
The horizontal lines at the ridges represent contour and not surface decoration.

**1 Claim, 6 Drawing Sheets**



(56)

**References Cited**

U.S. PATENT DOCUMENTS

D568,103 S \* 5/2008 Bodum ..... D7/523  
 D571,152 S \* 6/2008 Tien ..... D7/510  
 D578,827 S \* 10/2008 Barducci ..... D7/523  
 D581,738 S \* 12/2008 Bodum ..... D7/523  
 D595,090 S \* 6/2009 Benson ..... D7/531  
 D597,791 S \* 8/2009 Lion et al. .... D7/523  
 D597,792 S \* 8/2009 Lion et al. .... D7/523  
 D614,917 S \* 5/2010 Calco ..... D7/509  
 D634,162 S \* 3/2011 Holscher ..... D7/532  
 D634,163 S \* 3/2011 Holscher ..... D7/532  
 D634,582 S \* 3/2011 Holscher ..... D7/532  
 D637,456 S \* 5/2011 Creech et al. .... D7/523

D650,633 S \* 12/2011 Birgers ..... D7/510  
 D650,634 S \* 12/2011 Hodge et al. .... D7/532  
 D651,467 S \* 1/2012 Bodum ..... D7/523  
 D655,984 S \* 3/2012 Andreesen ..... D7/529  
 D657,198 S \* 4/2012 Bodum ..... D7/560  
 D658,444 S \* 5/2012 Krašovec Pogorelčnik ... D7/509  
 D663,589 S \* 7/2012 Pascot ..... D7/509  
 D675,876 S \* 2/2013 Penttinen ..... D7/532  
 D676,755 S \* 2/2013 Hein ..... D9/552  
 D687,263 S \* 8/2013 Chiorazzi et al. .... D7/529  
 D695,569 S \* 12/2013 Huckestein et al. .... D7/523  
 D698,603 S \* 2/2014 Huckestein ..... D7/523  
 D700,806 S \* 3/2014 Joy ..... D7/507  
 D725,970 S \* 4/2015 Karussi et al. .... D7/523  
 D727,101 S \* 4/2015 Oas ..... D7/523

\* cited by examiner

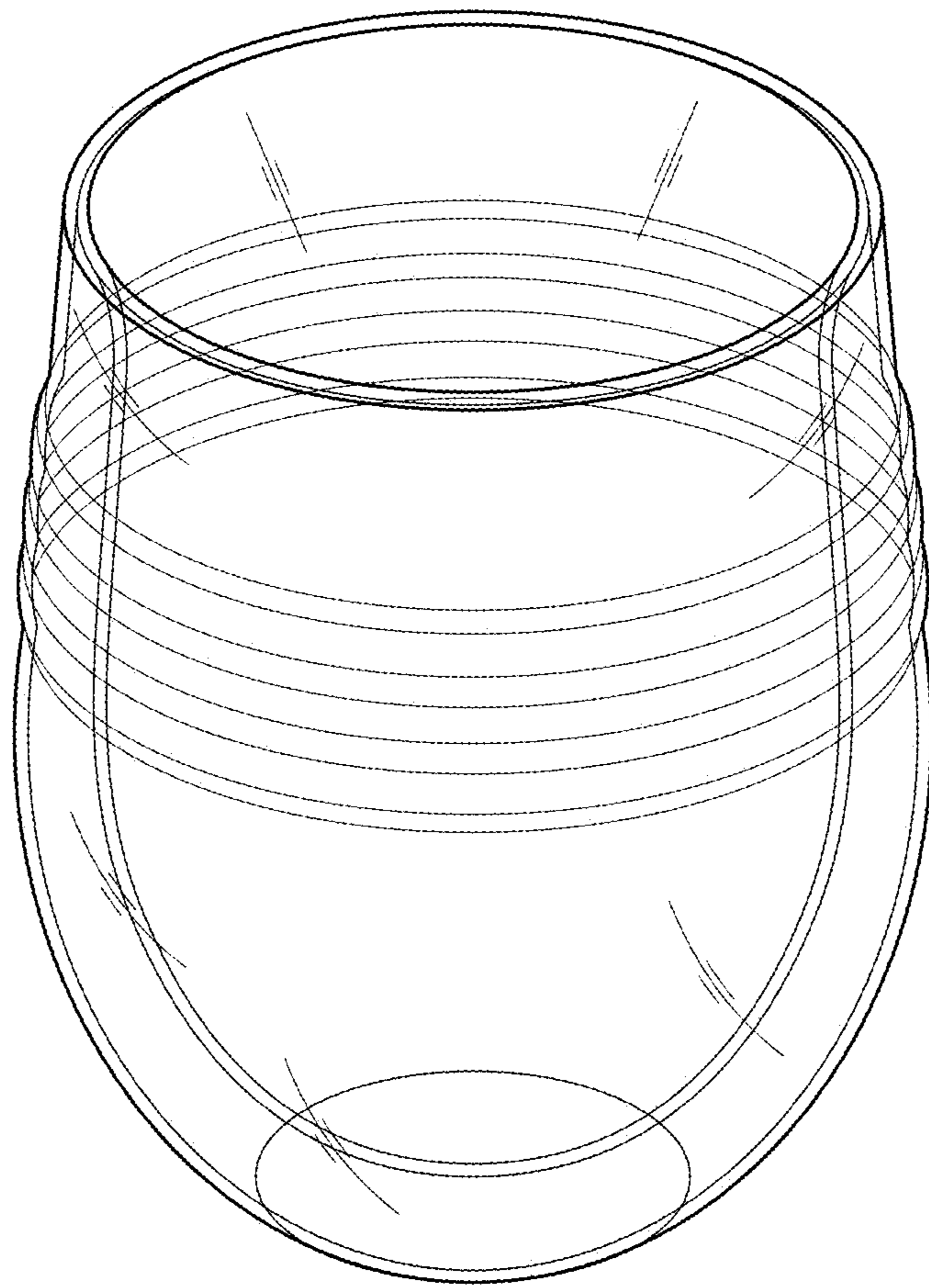


FIG. 1

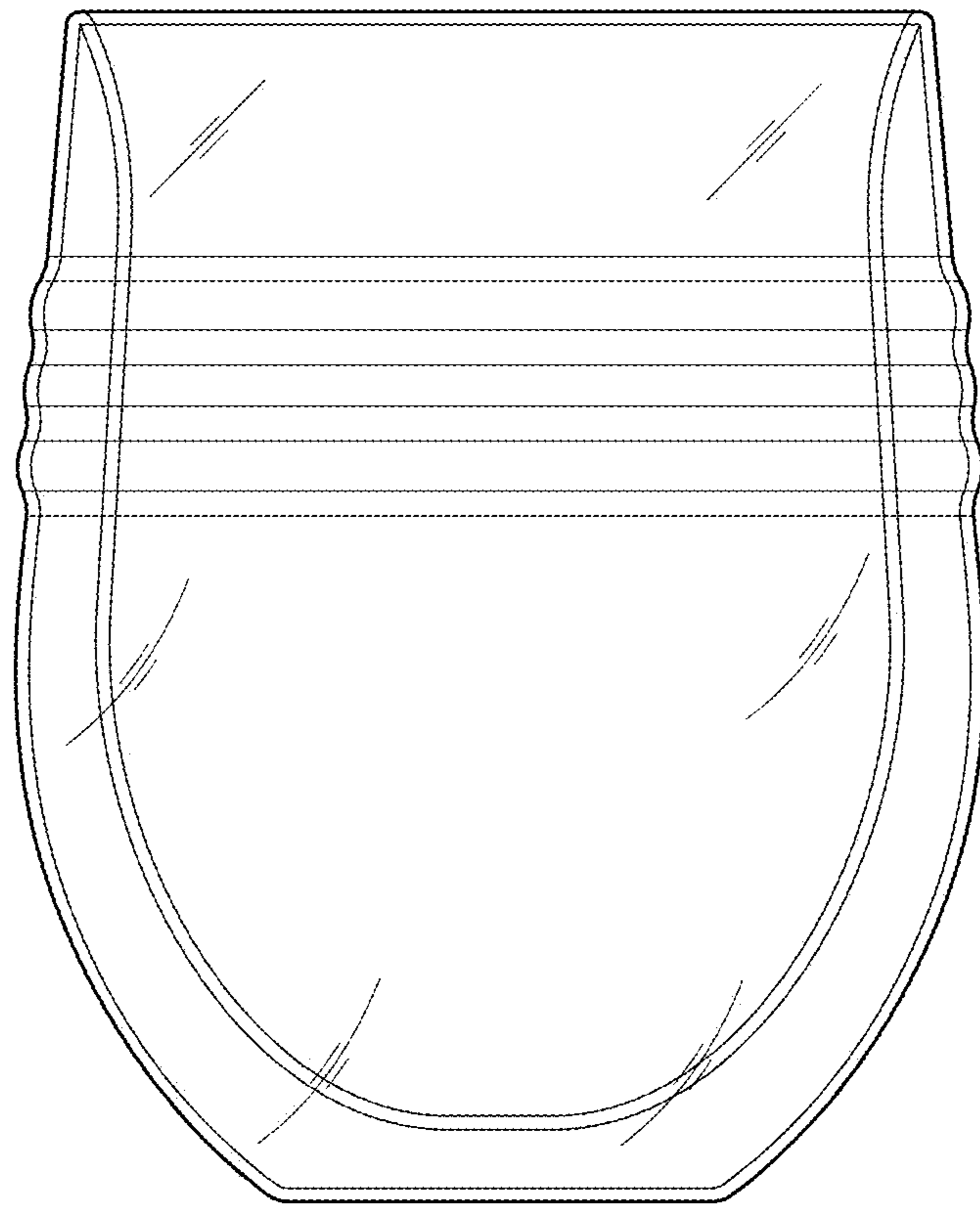


FIG. 2

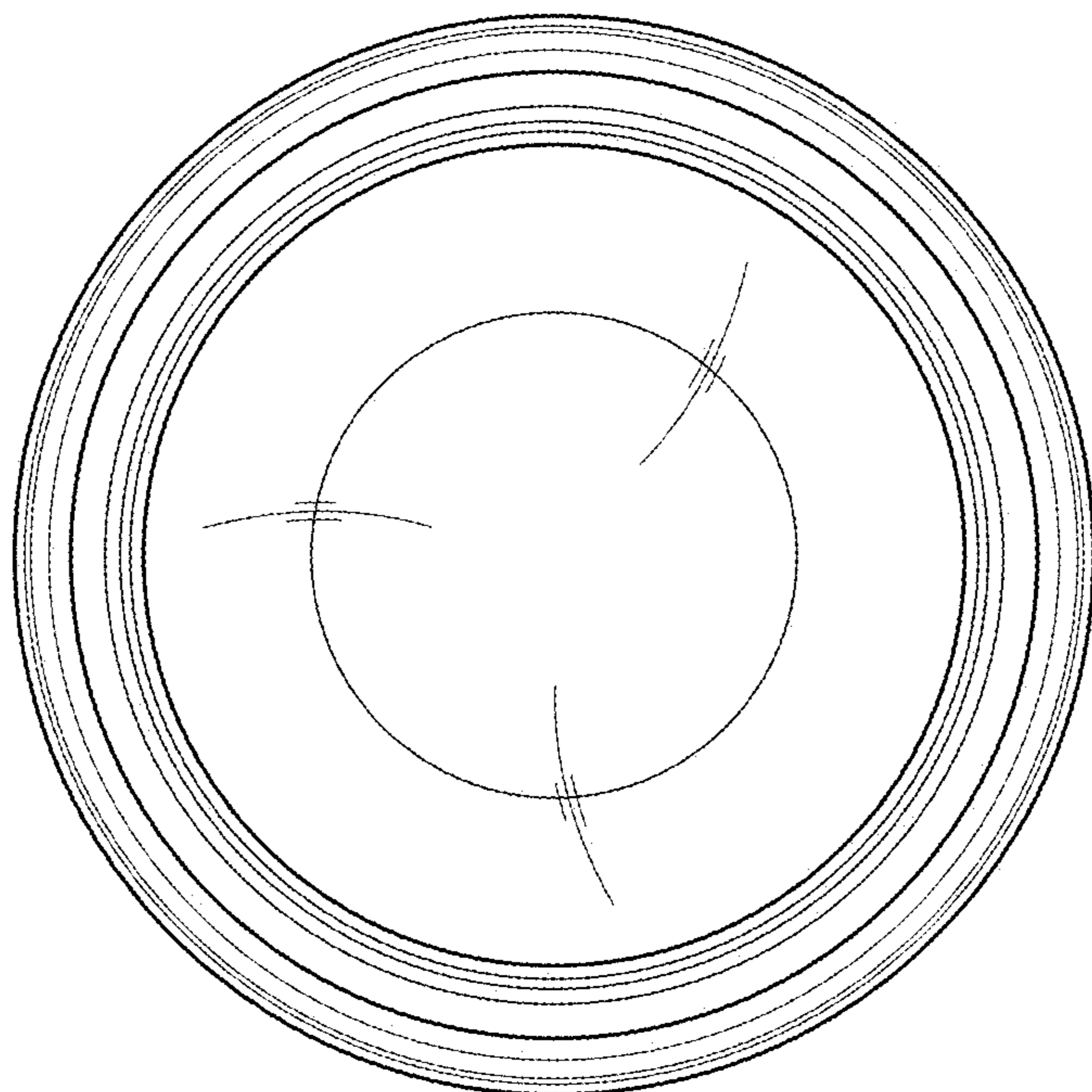


FIG. 3

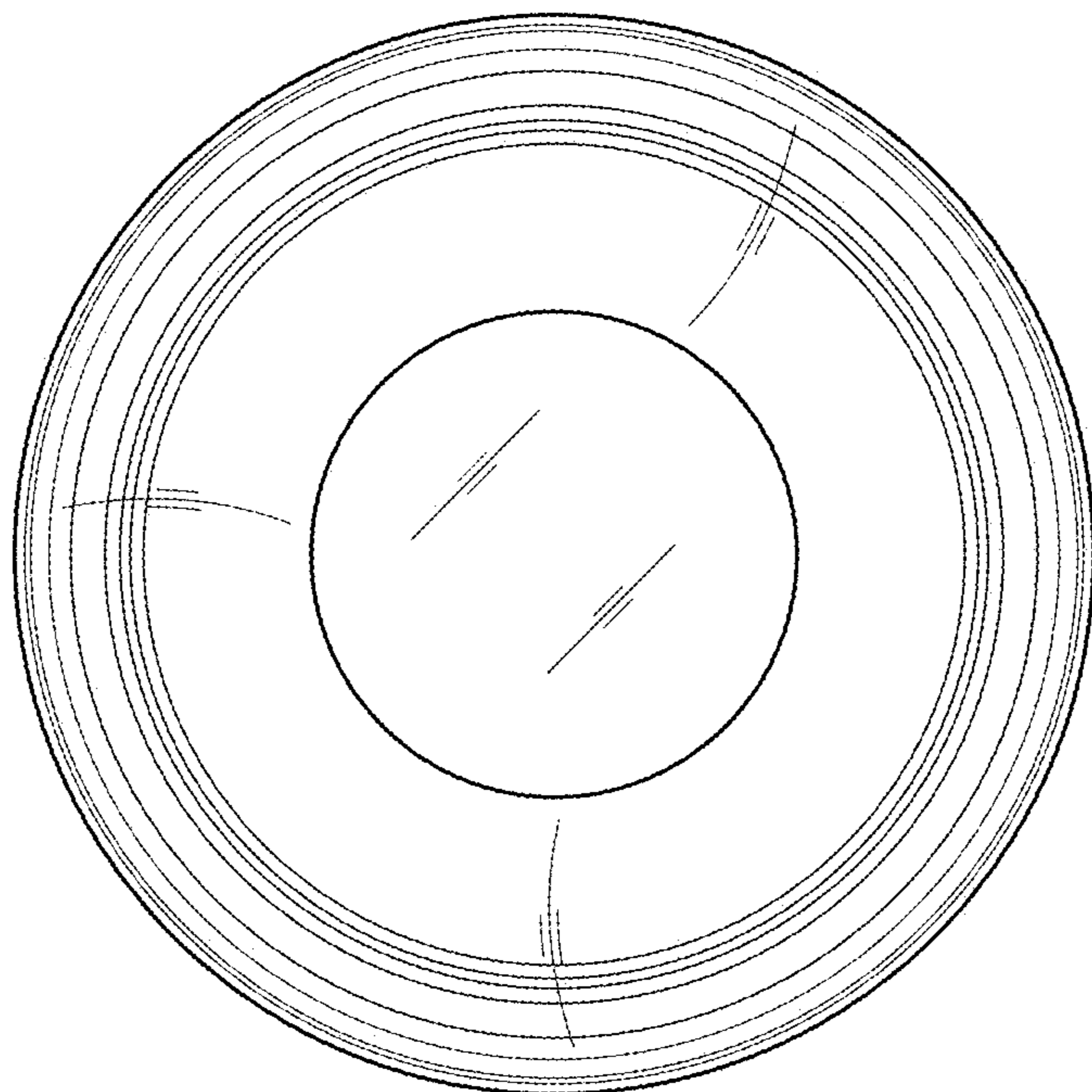


FIG. 4

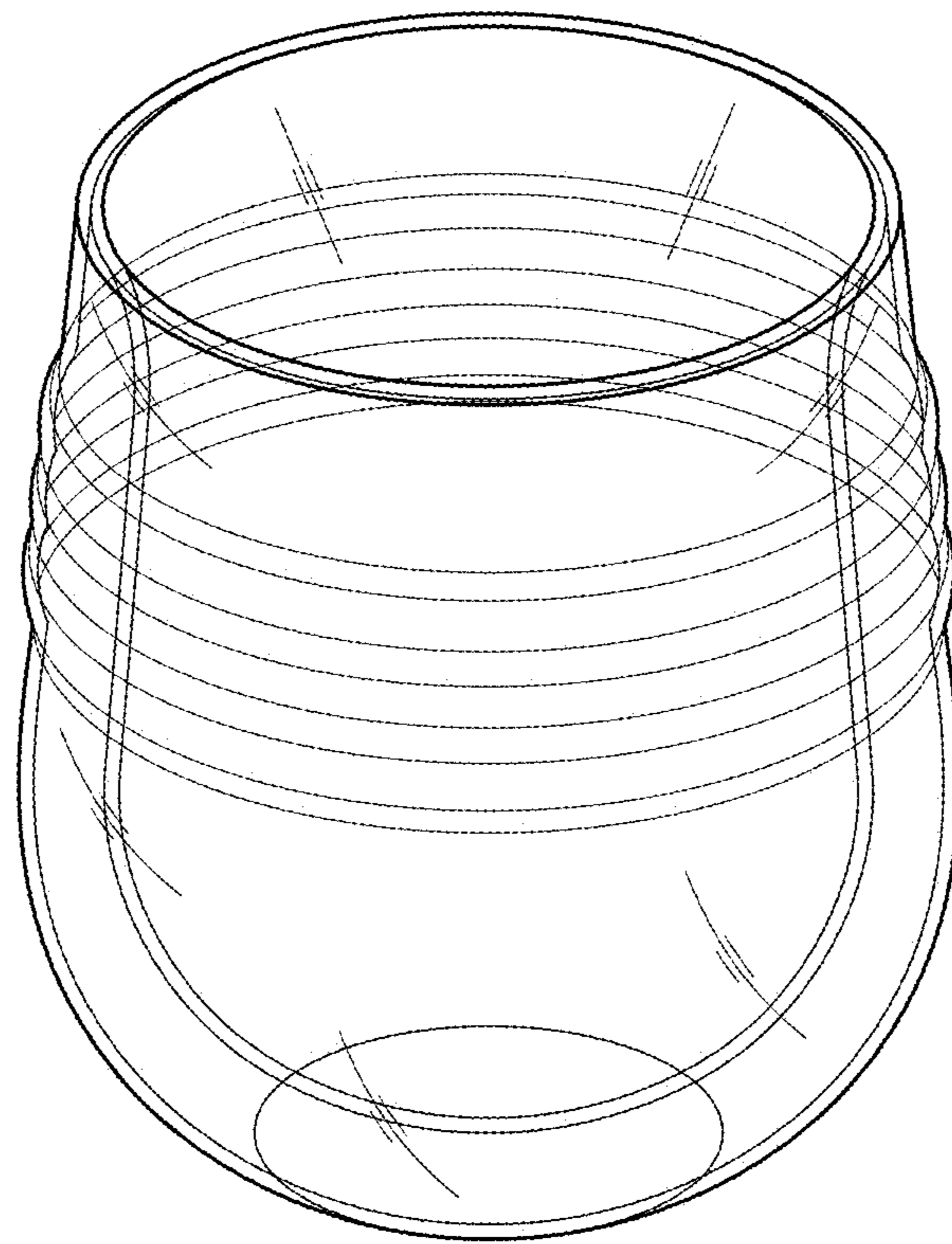


FIG. 5

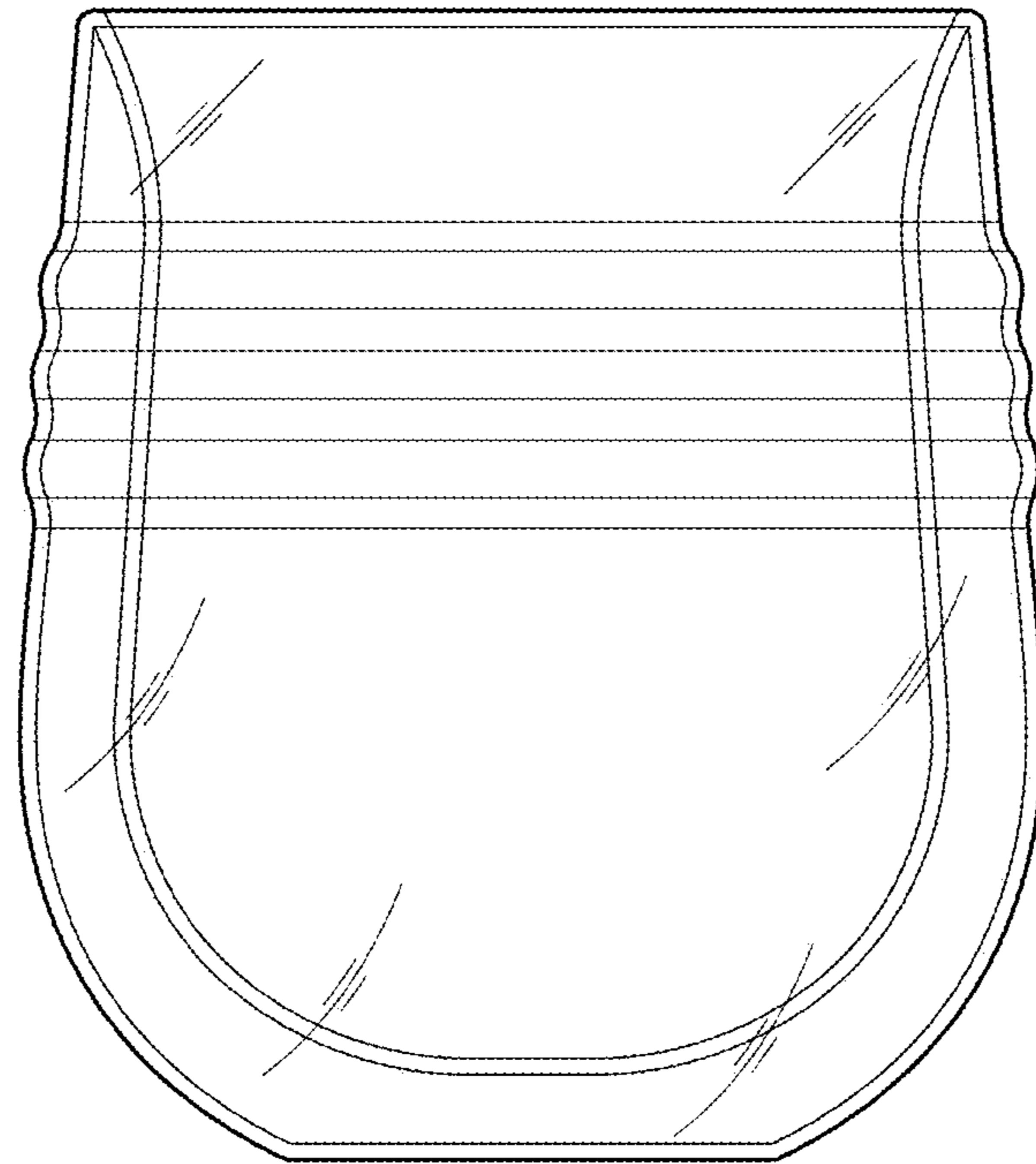


FIG. 6

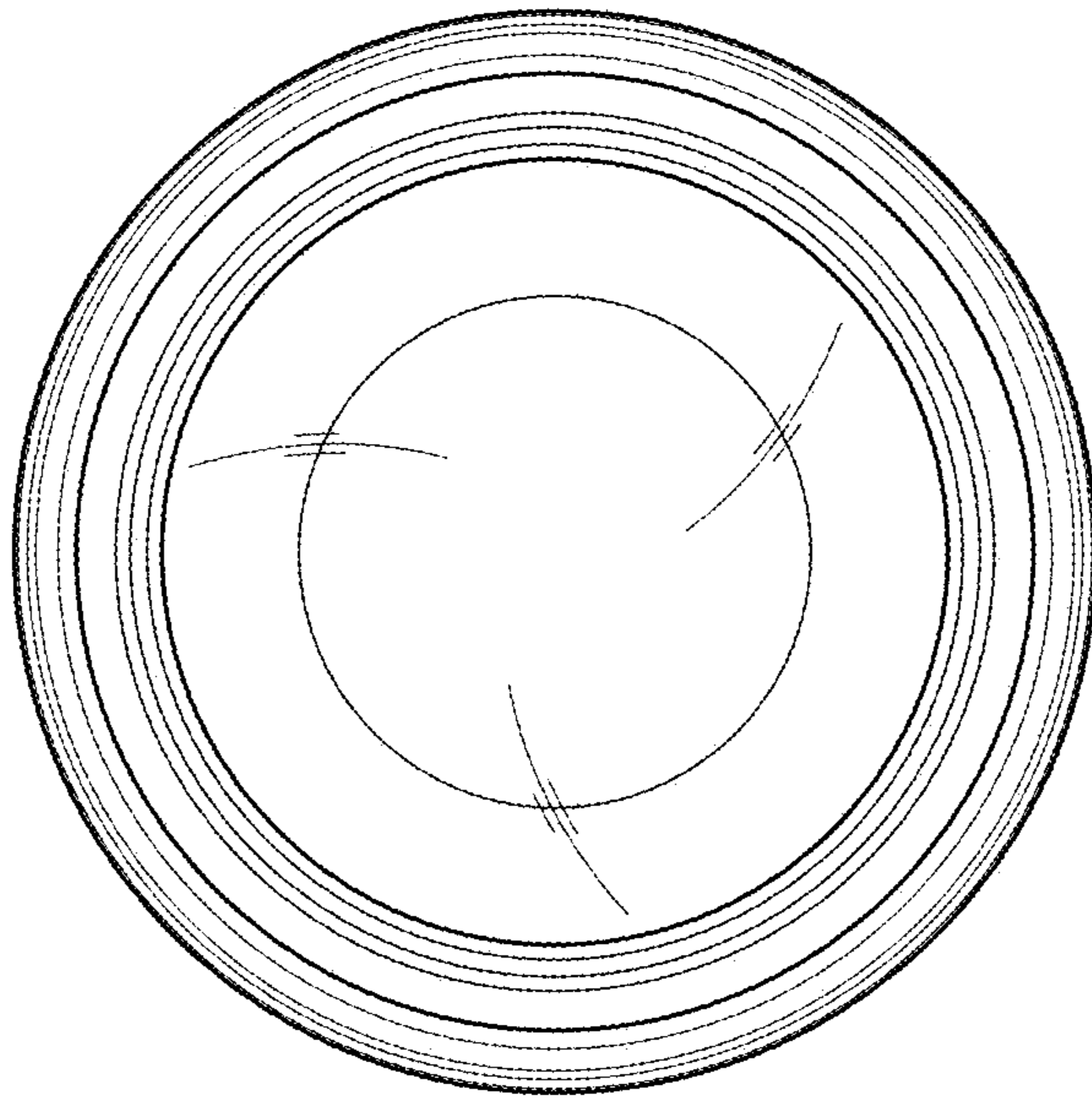


FIG. 7

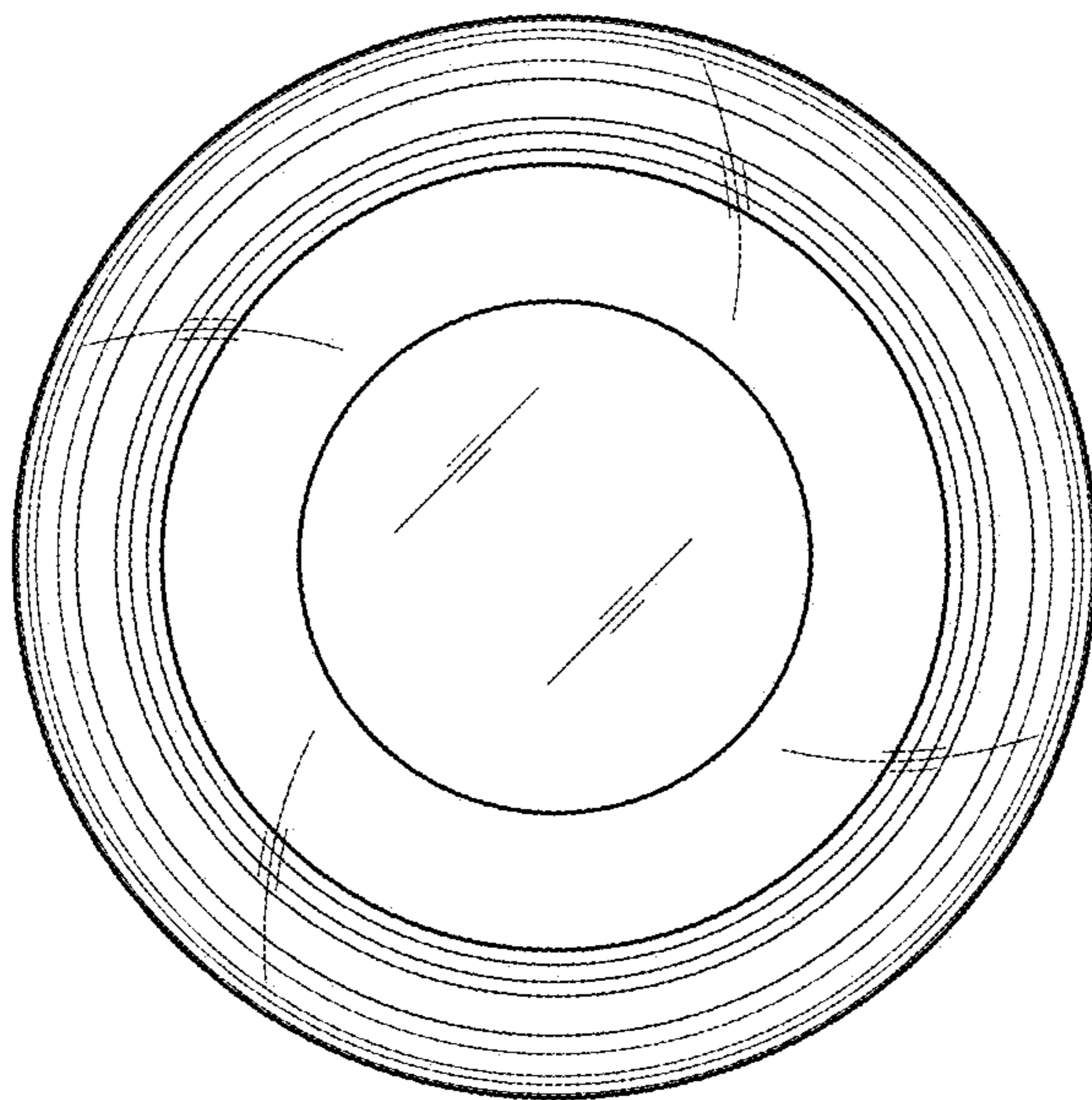


FIG. 8