



US00D744286S

(12) **United States Design Patent**
Morris, II et al.

(10) **Patent No.:** **US D744,286 S**
(45) **Date of Patent:** **** Dec. 1, 2015**

(54) **DRINKING VESSEL**
(75) Inventors: **Thomas G. Morris, II**, Hurst, TX (US);
Jack R. Rigby, Richardson, TX (US)
(73) Assignee: **NEW THERMO-SERV LTD.**, Dallas,
TX (US)

D557,564 S 12/2007 Bodum
D565,901 S * 4/2008 Edelstein et al. D7/510
D567,590 S 4/2008 Bodum
D568,685 S * 5/2008 Bodum D7/523
D569,192 S 5/2008 Bodum
D583,627 S * 12/2008 Kortleven D7/510
D614,448 S * 4/2010 Cahen D7/532

(Continued)

(**) Term: **14 Years**

OTHER PUBLICATIONS

(21) Appl. No.: **29/425,482**

U.S. Appl. No. 29/425,492, filed Jun. 22, 2015 and entitled Drinking
Vessel, inventor(s) Thomas G. Morris et al.

(22) Filed: **Jun. 22, 2012**

(Continued)

(51) **LOC (10) Cl.** **07-01**

(52) **U.S. Cl.**

USPC **D7/529; D7/523; D7/532**

(58) **Field of Classification Search**

USPC D7/509, 510, 523, 529, 532, 392.1,
D7/536; D9/504, 529, 538, 447

CPC B65D 1/265; B65D 3/22; B65D 81/38;
A45F 3/16; A47G 19/2272

See application file for complete search history.

Primary Examiner — Ian Simmons

Assistant Examiner — Rashida C McCoy

(74) *Attorney, Agent, or Firm* — Patent Capital Group

(57) **CLAIM**

The ornamental design for a drinking vessel, as shown and
described.

(56) **References Cited**

DESCRIPTION

U.S. PATENT DOCUMENTS

2,895,636 A 7/1959 Martin
D287,919 S * 1/1987 Clements D7/392.1
D289,484 S * 4/1987 Forquer et al. D7/532
D369,277 S * 4/1996 Lin D7/529
D376,731 S * 12/1996 Lin D7/536
D384,246 S 9/1997 McKnight
D402,556 S * 12/1998 Frye D9/447
5,894,948 A 4/1999 Yeh
D439,803 S * 4/2001 Lin D7/532
D446,687 S * 8/2001 Furman et al. D7/523
6,405,892 B1 6/2002 Volan
D489,940 S * 5/2004 Gluck D7/523
D505,592 S * 5/2005 Liu D7/532
D528,365 S * 9/2006 Hsu D7/529
D533,748 S * 12/2006 Bresler D7/523
D548,525 S * 8/2007 Gibbons et al. D7/510
D554,941 S 11/2007 Mansfield
D556,513 S 12/2007 Yelland
D557,563 S 12/2007 Bodum

FIG. 1 is a top perspective view showing a first embodiment
of a drinking vessel according to our new design;

FIG. 2 is a front view thereof;

FIG. 3 is a back view thereof;

FIG. 4 is a side view thereof;

FIG. 5 is another side view thereof;

FIG. 6 is a top view thereof;

FIG. 7 is a bottom view thereof;

FIG. 8 is a top perspective view showing a second embodi-
ment of a drinking vessel according to our new design;

FIG. 9 is a front view thereof;

FIG. 10 is a back view thereof;

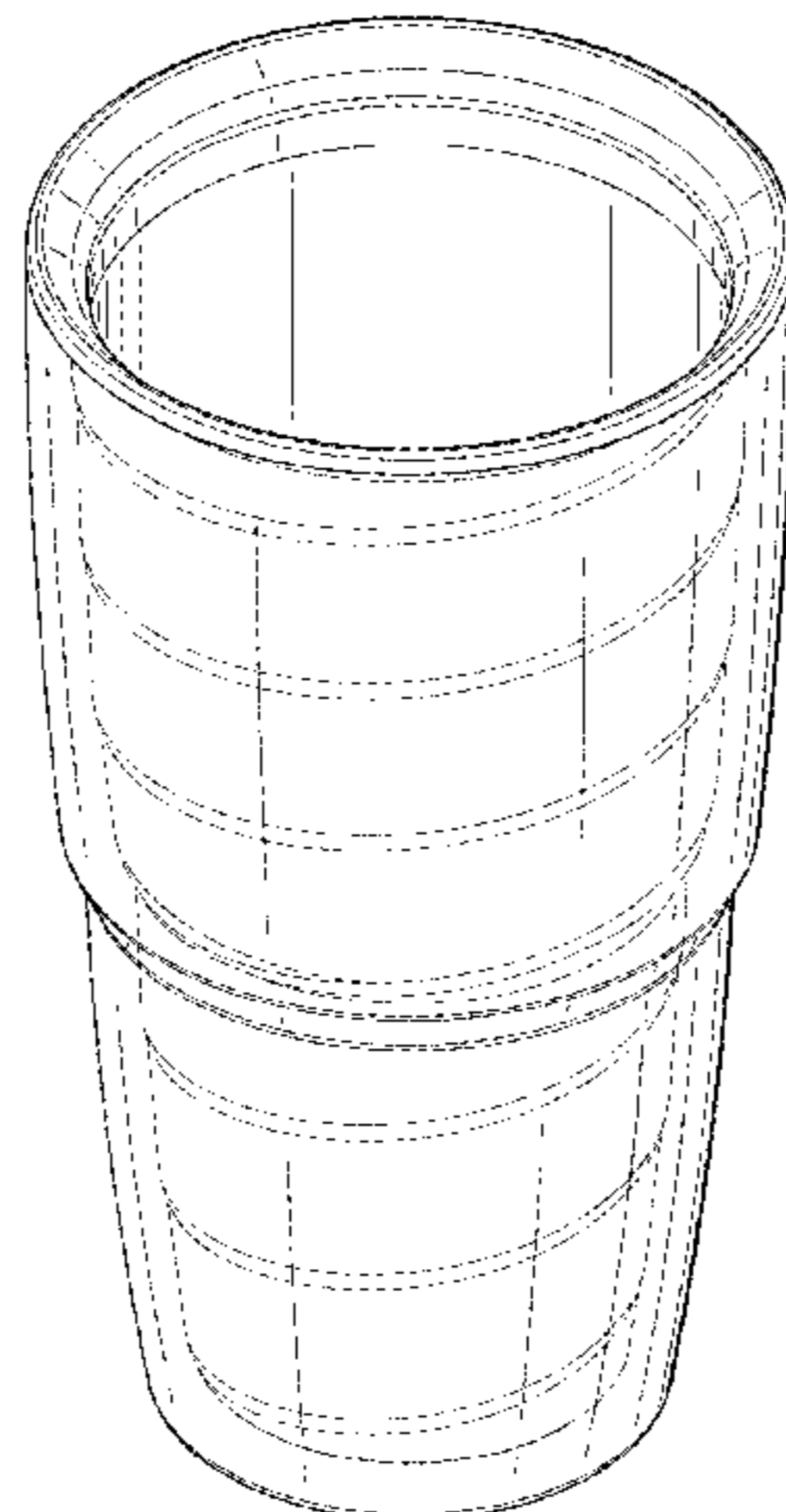
FIG. 11 is a side view thereof;

FIG. 12 is another side view thereof;

FIG. 13 is a top view thereof; and,

FIG. 14 is a bottom view thereof.

1 Claim, 12 Drawing Sheets



(56)

References Cited

U.S. PATENT DOCUMENTS

8,025,169 B2 9/2011 Zimmerman
D669,310 S 10/2012 Barreto et al.
D674,663 S * 1/2013 Cahen D7/510
D713,686 S * 9/2014 Eyal D7/509
2005/0111212 A1* 5/2005 Diak/Ghanem 362/84

OTHER PUBLICATIONS

Restriction Requirement in U.S. Appl. No. 29/425,492 mailed on Mar. 3, 2015.
U.S. Appl. No. 29/425,495, filed Jun. 22, 2015 and entitled Drinking Vessel, inventor(s) Thomas G. Morris et al.

Restriction Requirement in U.S. Appl. No. 29/425,492 mailed on Feb. 27, 2015.

U.S. Appl. No. 29/425,498, filed Jun. 22, 2015 and entitled Drinking Vessel With Handle, inventor(s) Thomas G. Morris et al.

Restriction Requirement in U.S. Appl. No. 29/425,498 mailed on Mar. 2, 2015.

Notice of Allowance in U.S. Appl. No. 29/425,492 mailed on Jul. 6, 2015.

Notice of Allowance in U.S. Appl. No. 29/425,495 mailed on Jul. 6, 2015.

Notice of Allowance in U.S. Appl. No. 29/425,498 mailed on Jul. 6, 2015.

* cited by examiner

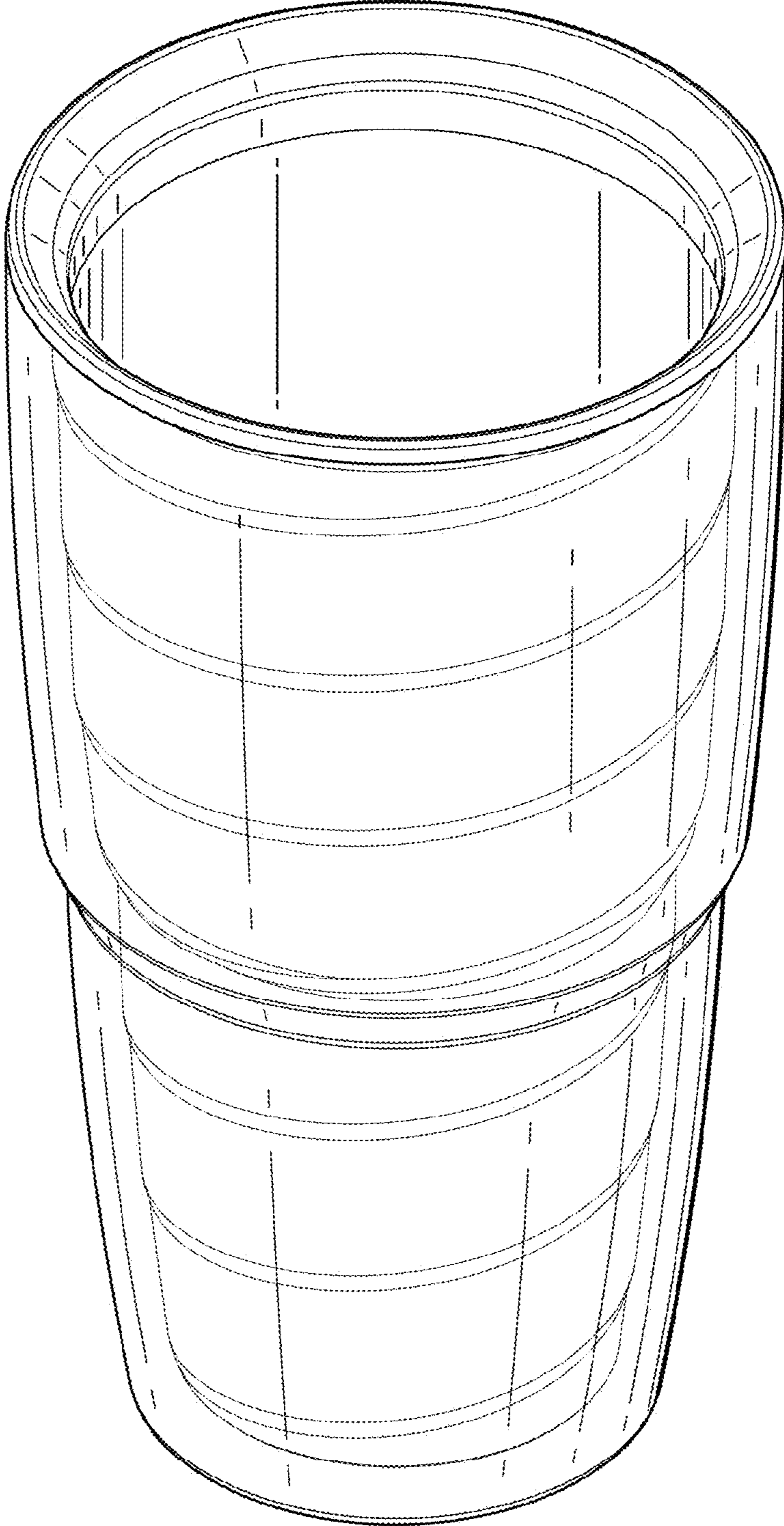


FIG. 1

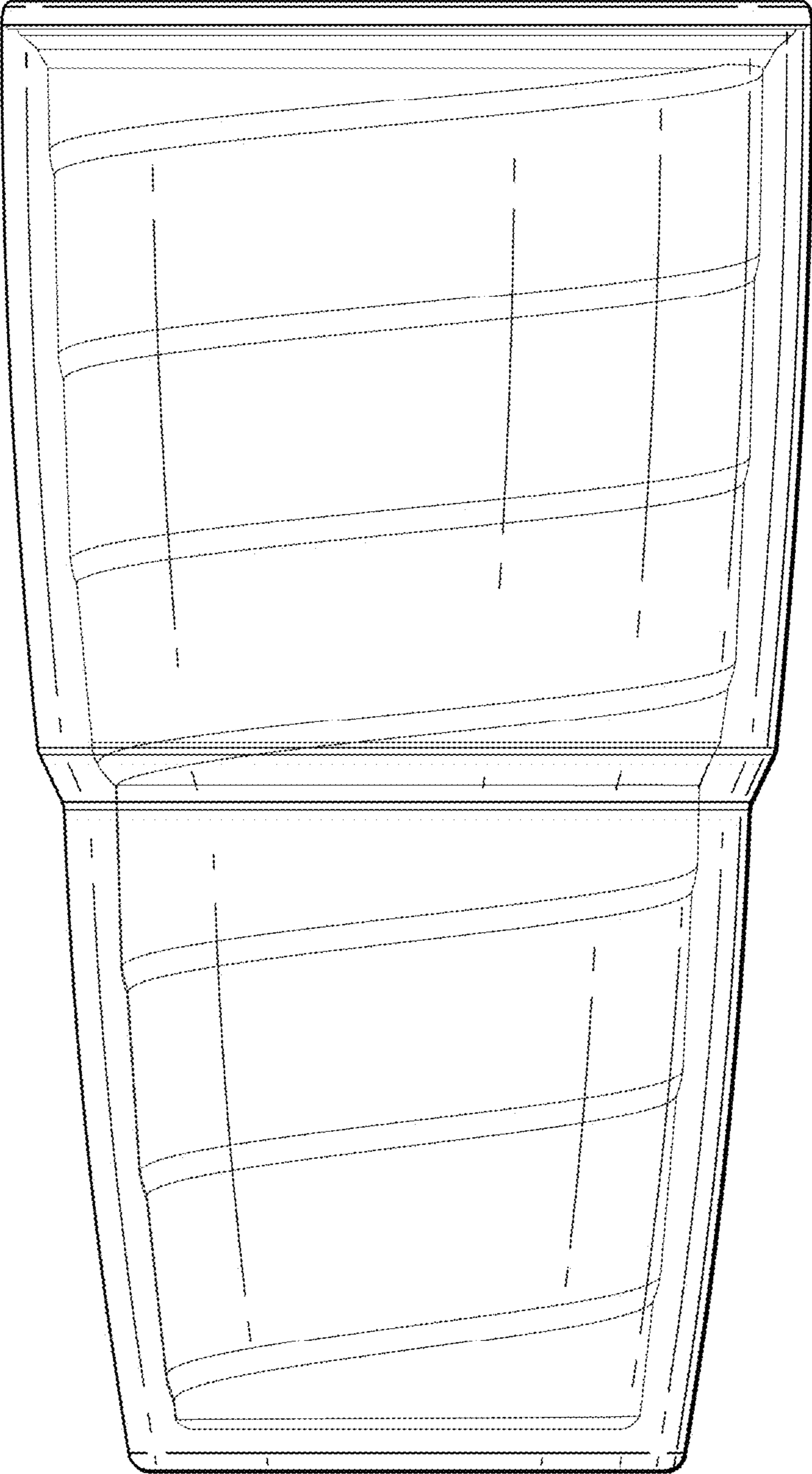


FIG. 2

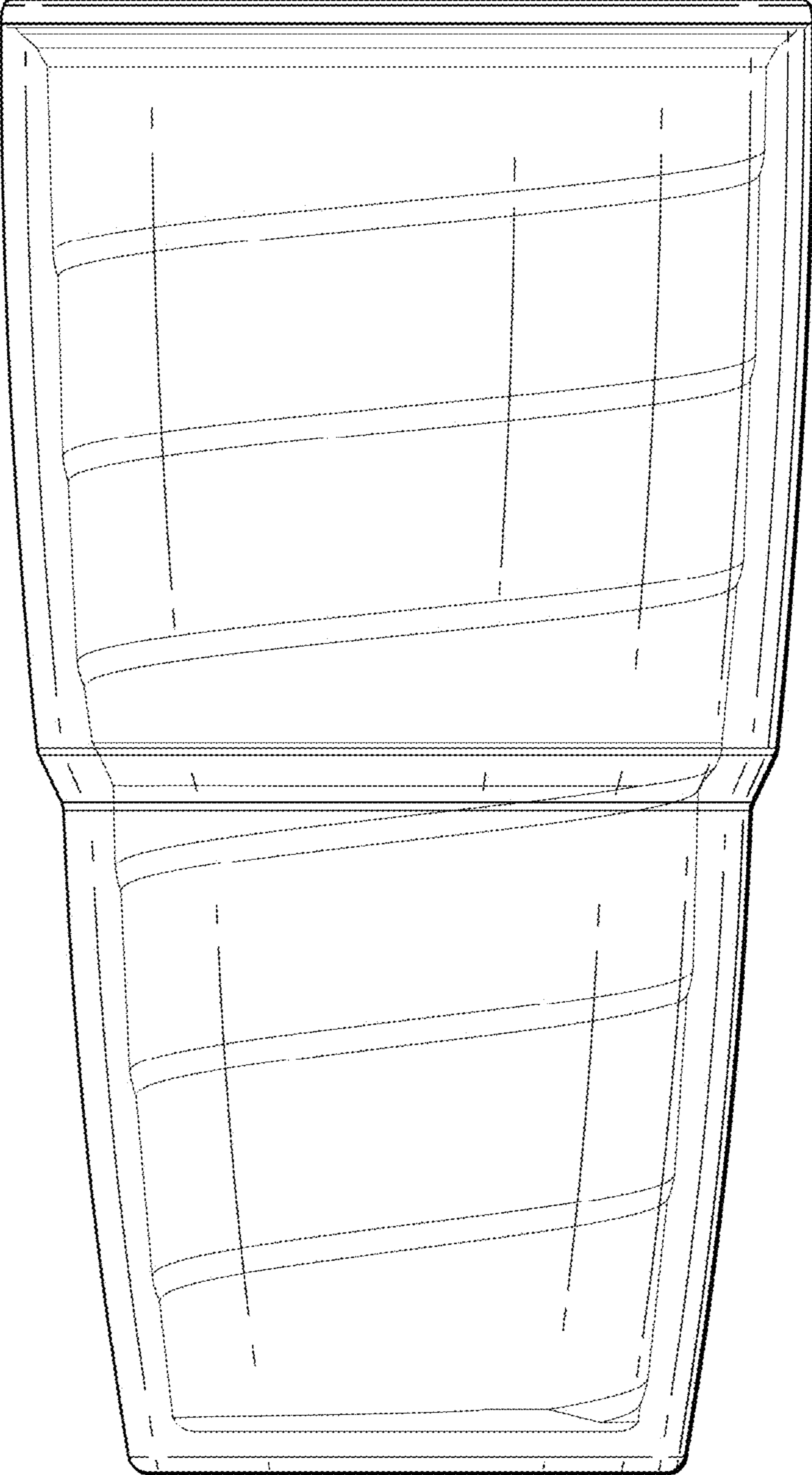


FIG. 3

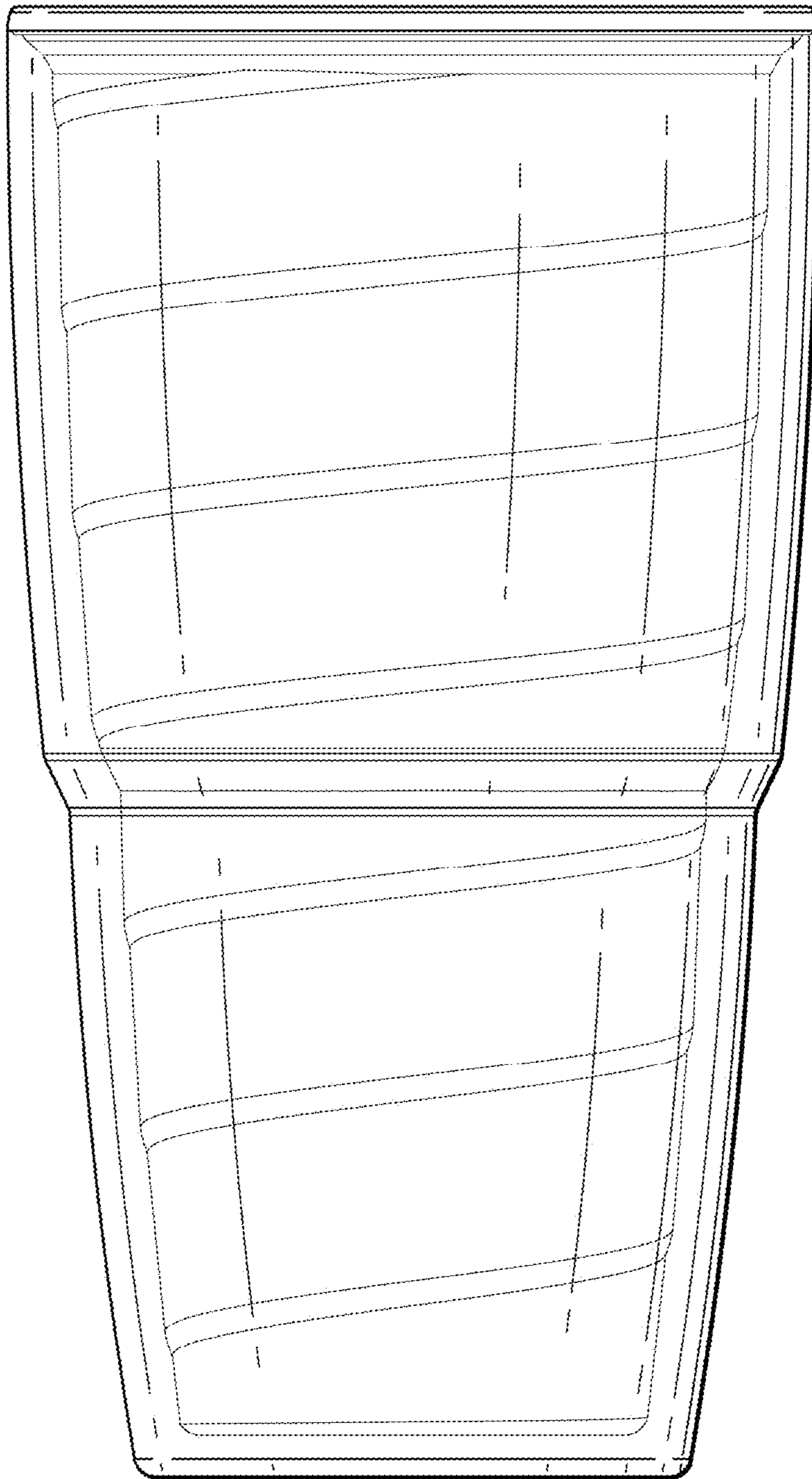


FIG. 4

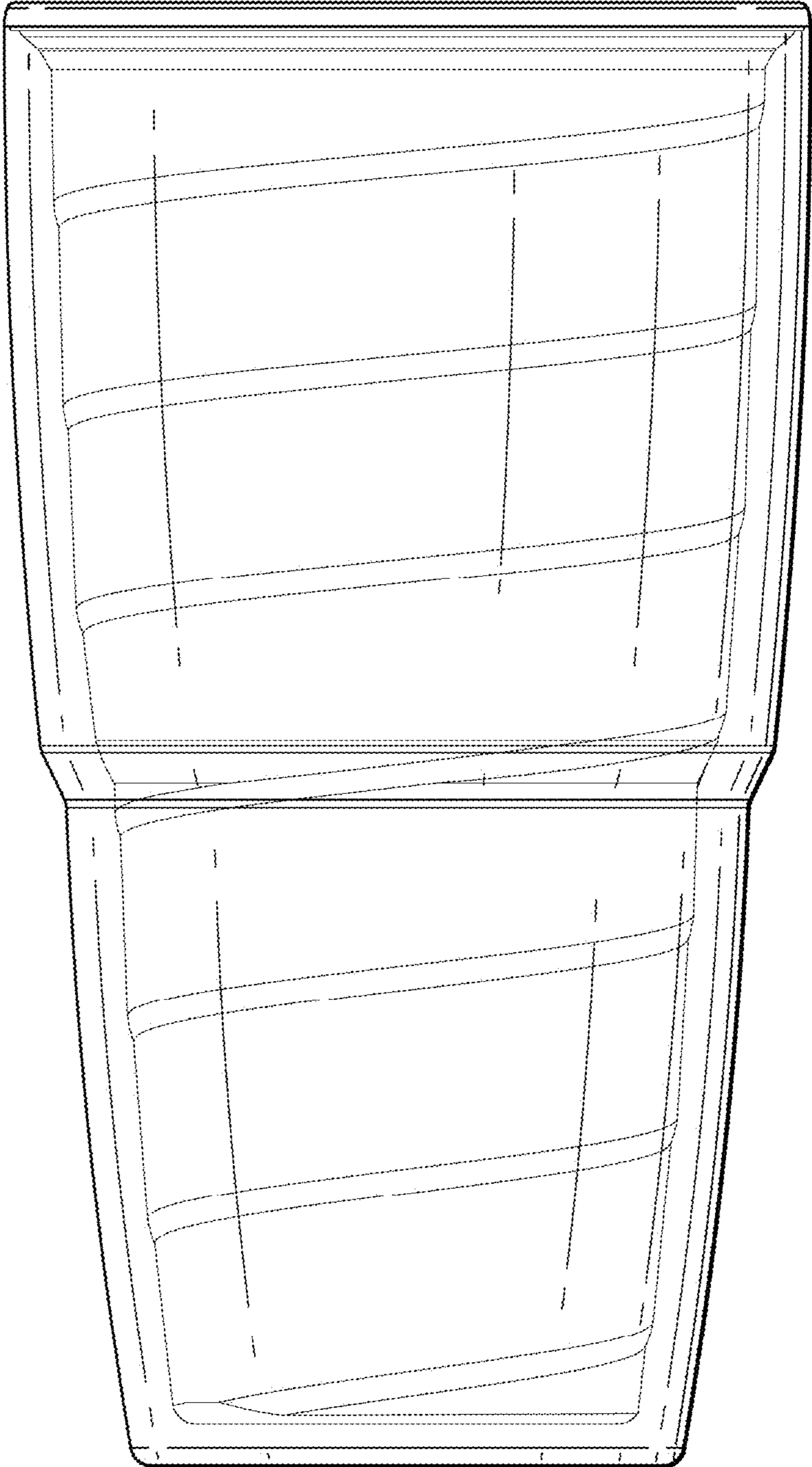


FIG. 5

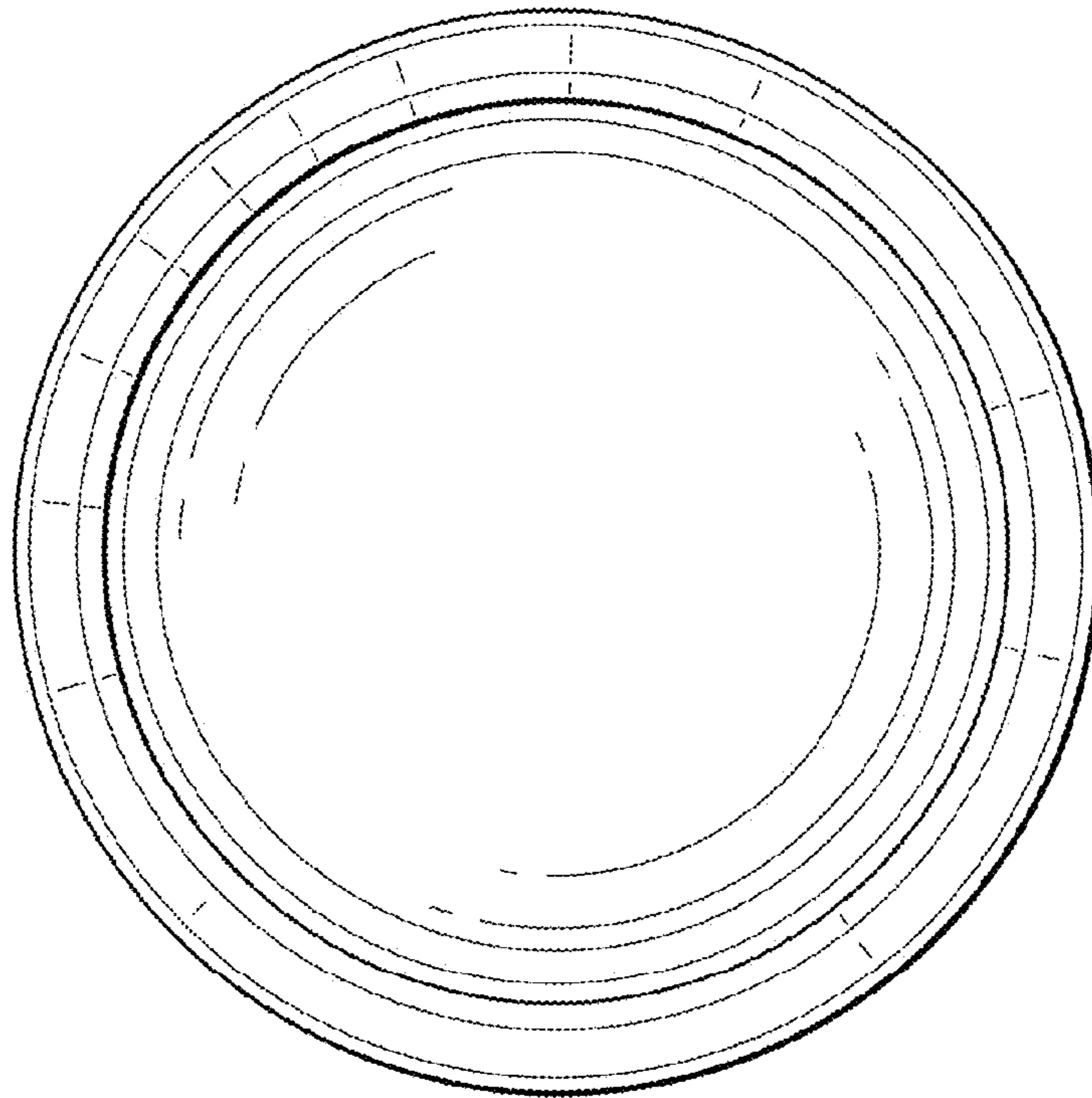


FIG. 6

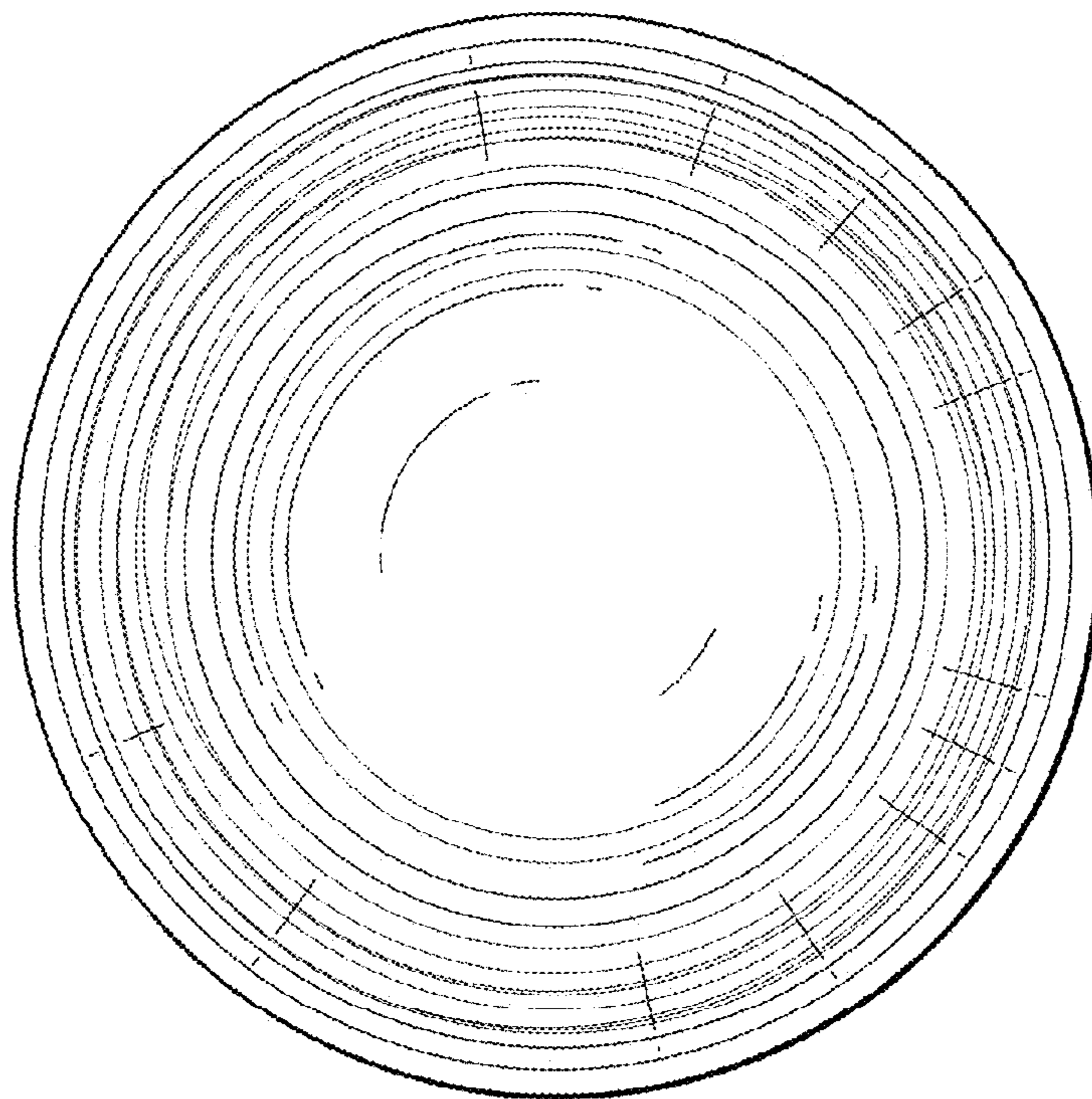


FIG. 7

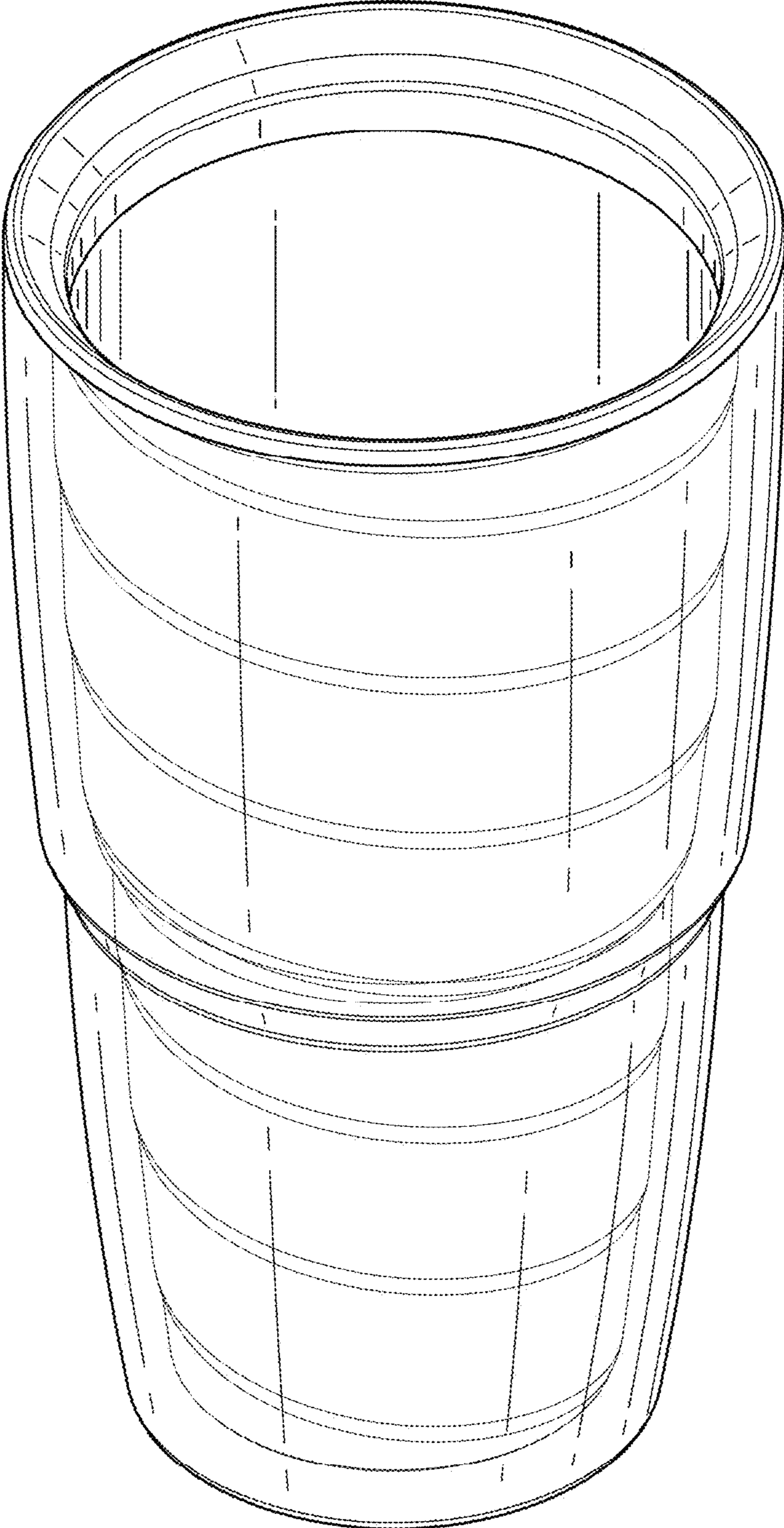


FIG. 8

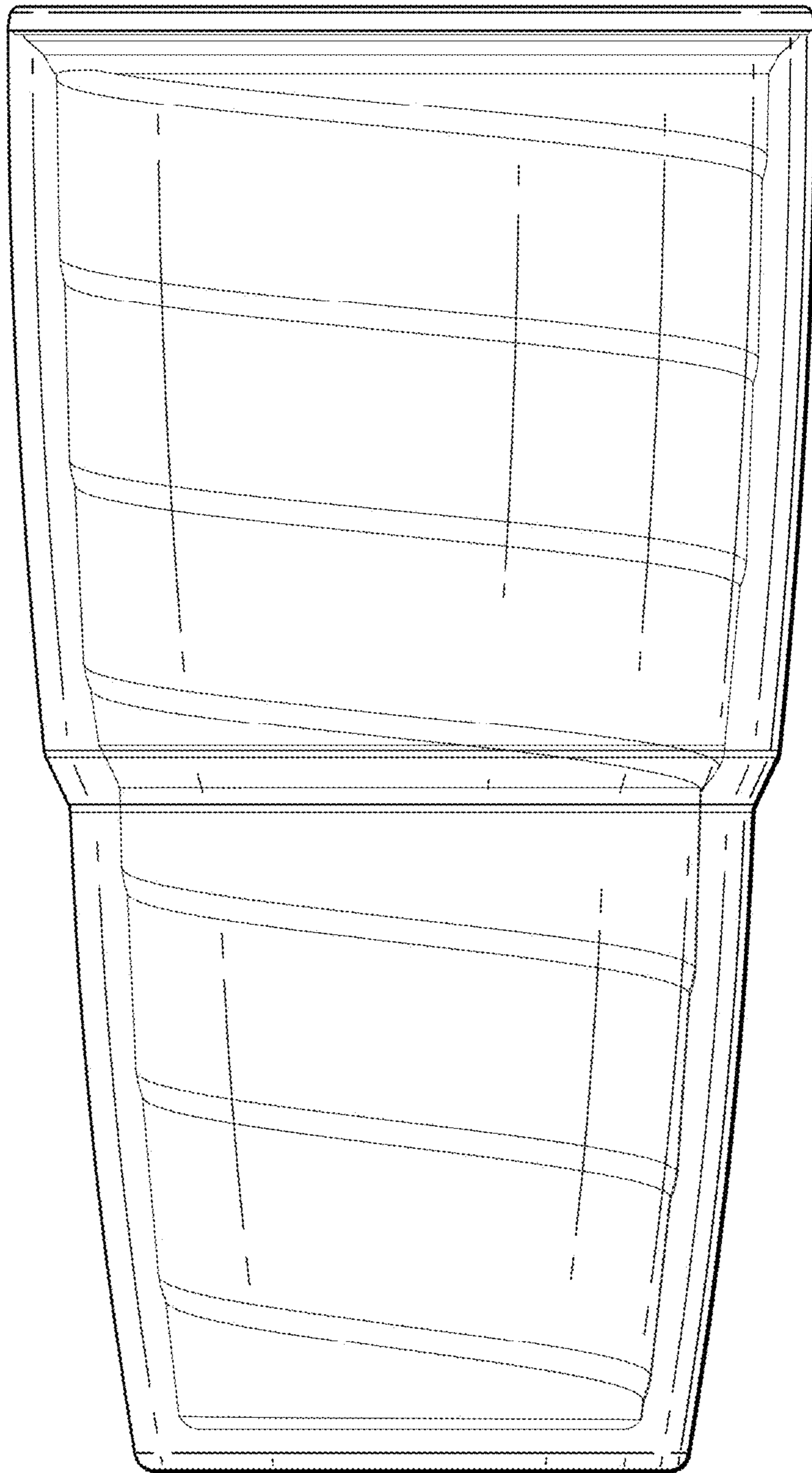


FIG. 9

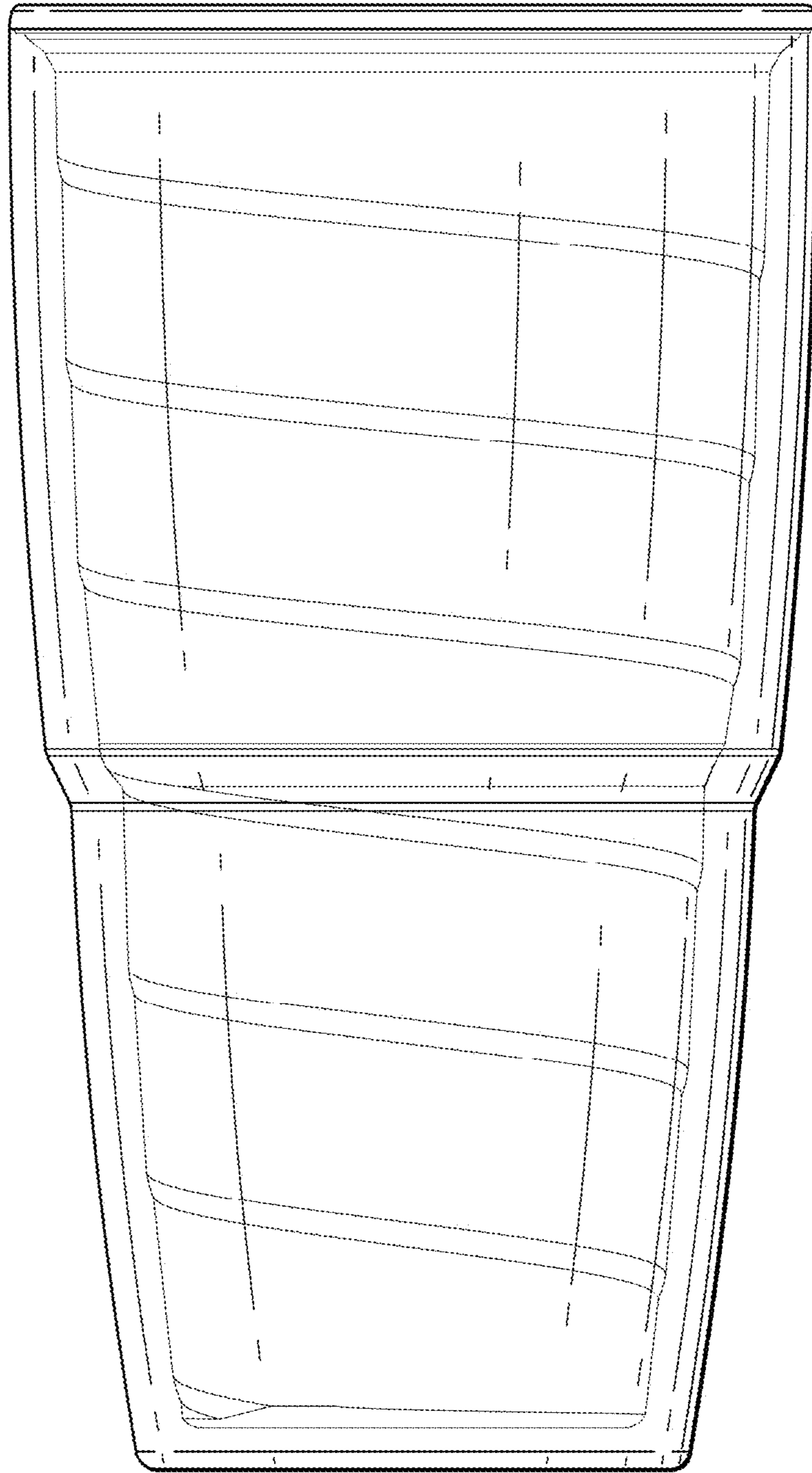


FIG. 10

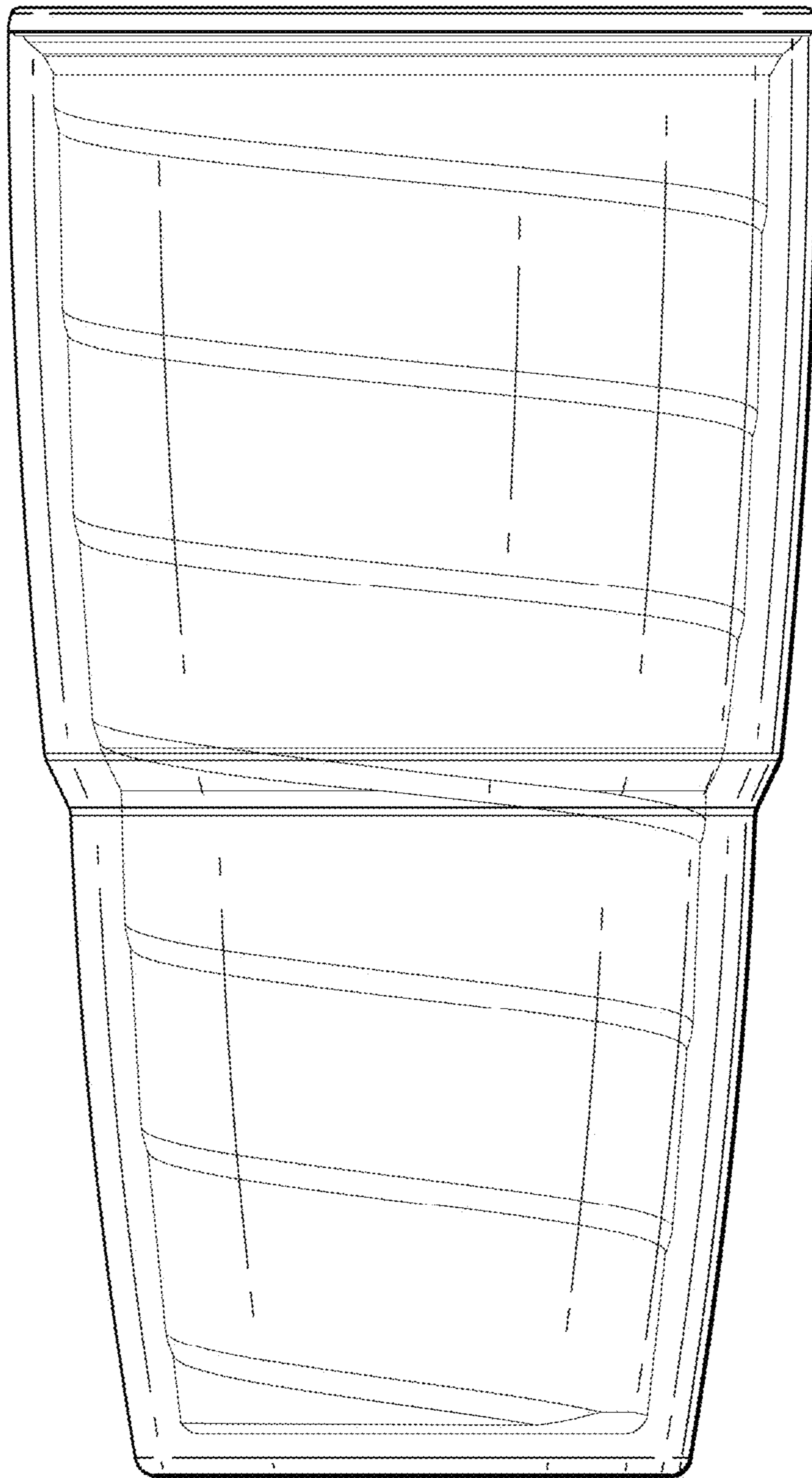


FIG. 11

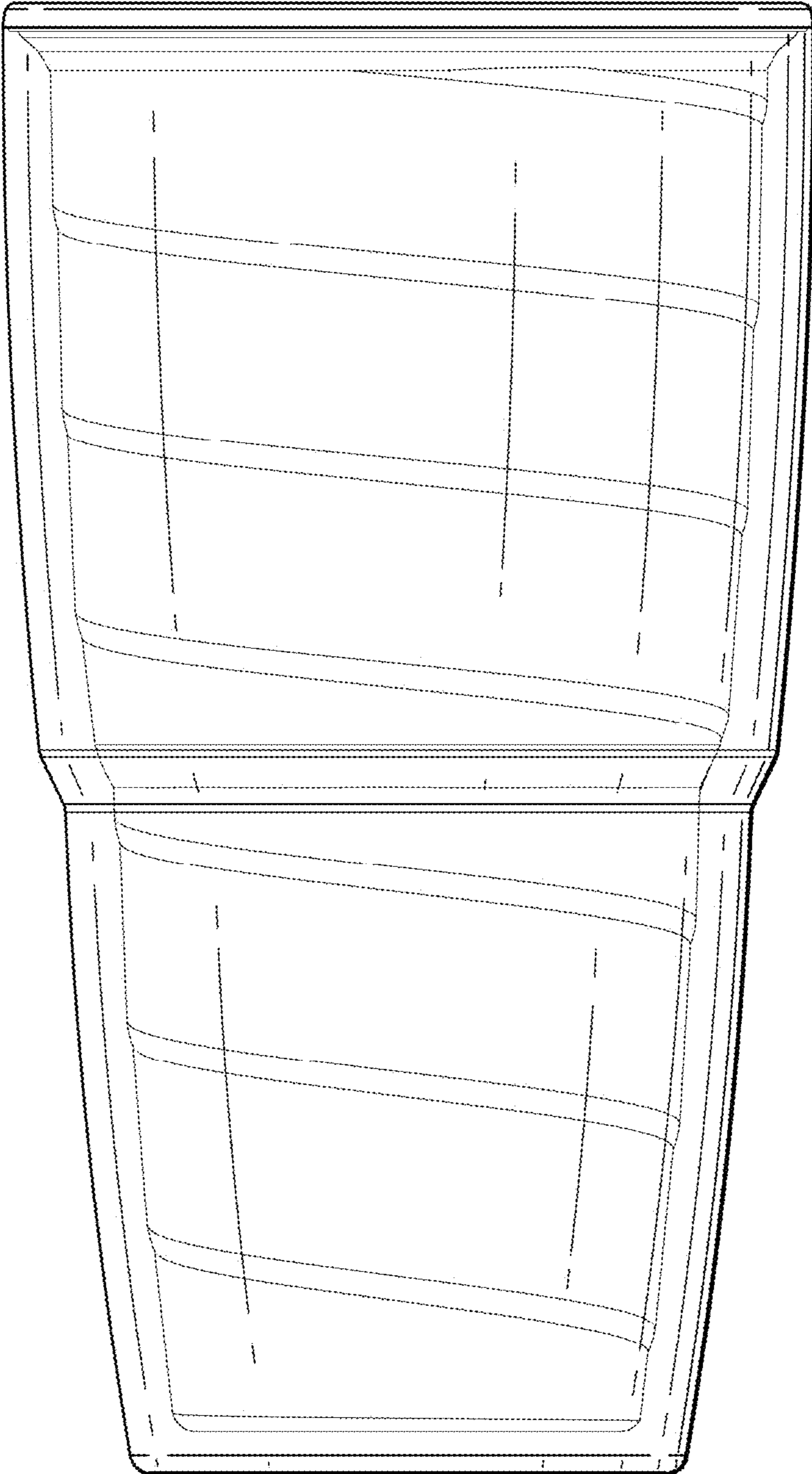


FIG. 12

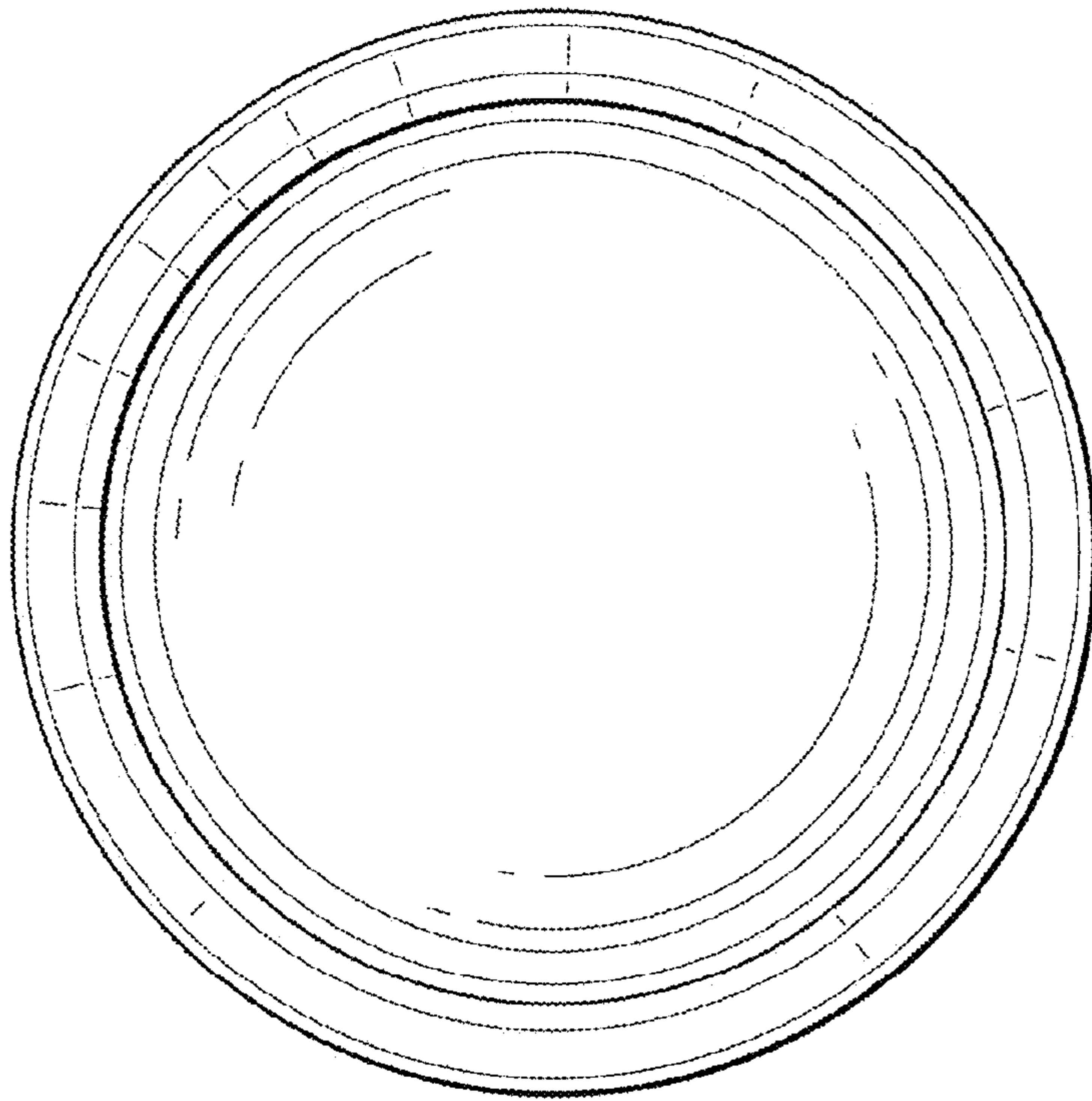


FIG. 13

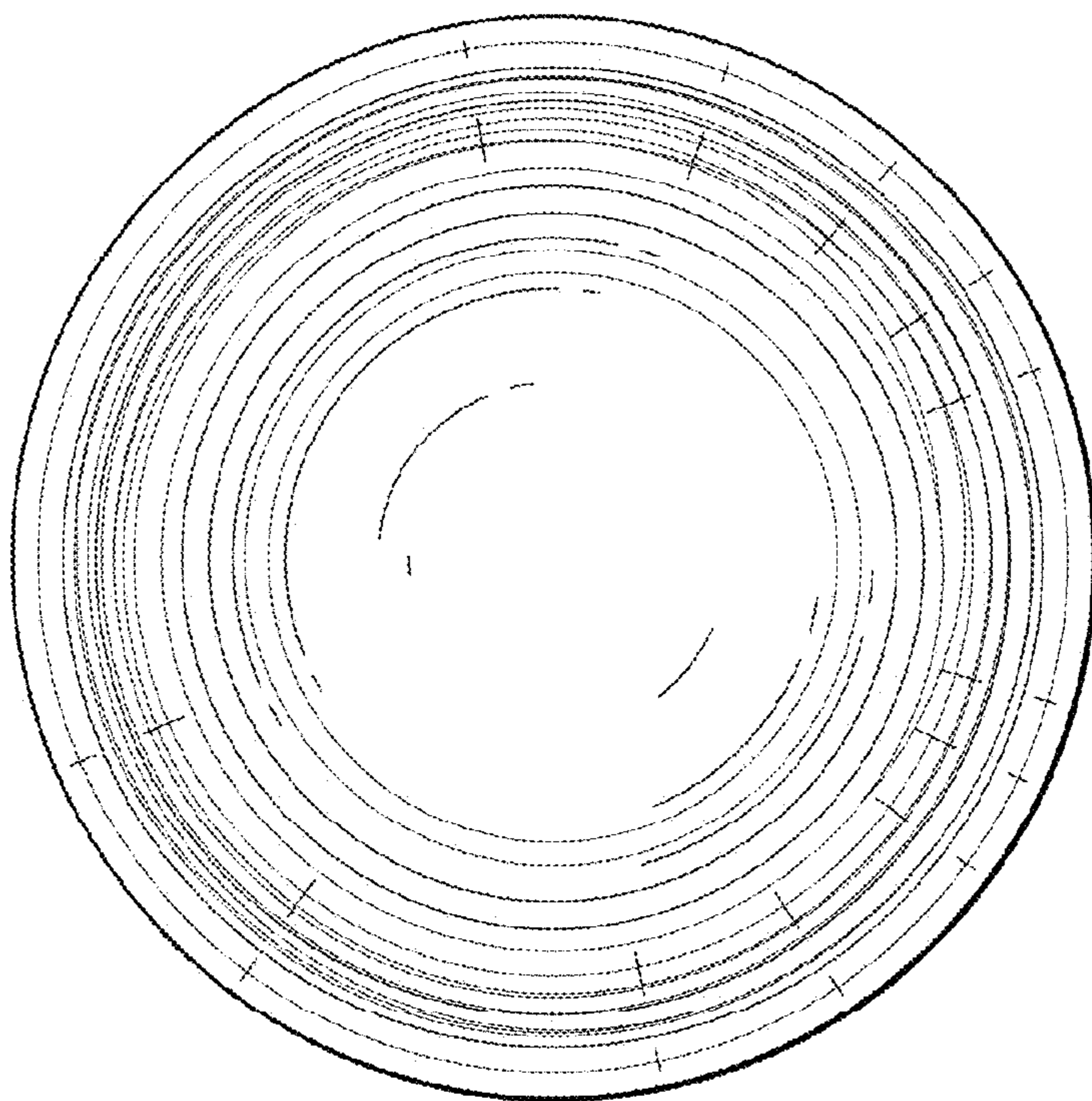


FIG. 14