



US00D744282S

(12) **United States Design Patent**  
**Conselman**

(10) **Patent No.:** **US D744,282 S**  
(45) **Date of Patent:** **\*\* Dec. 1, 2015**

(54) **DRINKWARE**

(71) Applicant: **Frank Conselman**, Rockwall, TX (US)

(72) Inventor: **Frank Conselman**, Rockwall, TX (US)

(73) Assignee: **Frank Conselman**, Rockwall, TX (US)

(\*\*) Term: **14 Years**

(21) Appl. No.: **29/496,476**

(22) Filed: **Jul. 14, 2014**

(51) **LOC (10) Cl.** ..... **07-01**

(52) **U.S. Cl.**  
USPC ..... **D7/515; D7/514; D7/536; D9/649**

(58) **Field of Classification Search**  
USPC ..... D7/507, 509, 512-521, 529, 530, 531,  
D7/534, 536, 539, 544, 551.1, 551.2,  
D7/551.3, 554.1, 560, 564, 565, 566, 567,  
D7/568, 569, 570, 571, 572, 573, 578, 579,  
D7/580, 593, 594, 595, 596, 613, 702, 623,  
D7/624.1, 624.2, 625, 642, 678, 675, 387,  
D7/388, 389, 396.4, 213, 397, 398, 399,  
D7/396.5, 405, 411; D9/600, 601, 607,  
D9/609, 611, 614, 620, 624, 625, 626, 640,  
D9/649, 520; 220/675, 703, 705, 707, 890;  
D21/313, 314, 351; D20/30-33, 11,  
D20/24, 25; D30/110, 112, 129; D11/132,  
D11/133, 134, 142, 143, 144, 149, 155, 157,  
D11/173, 176, 184, 140; D24/158; D26/80,  
D26/95  
CPC ..... A47G 19/2227; A47G 2019/2277;  
A45F 3/20; A45F 2003/205

See application file for complete search history.

(56) **References Cited**

U.S. PATENT DOCUMENTS

|               |         |           |       |                       |
|---------------|---------|-----------|-------|-----------------------|
| D42,648 S *   | 6/1912  | Sanford   | ..... | D11/154               |
| D253,216 S *  | 10/1979 | Trombly   | ..... | D7/509                |
| D265,866 S *  | 8/1982  | Levin     | ..... | D11/149               |
| D313,728 S *  | 1/1991  | Oropeza   | ..... | D7/556                |
| D371,937 S *  | 7/1996  | Peugeot   | ..... | D7/535                |
| D399,075 S *  | 10/1998 | Muntener  | ..... | D6/674                |
| 5,899,354 A * | 5/1999  | Garcia    | ..... | A47G 19/22<br>206/217 |
| D417,368 S *  | 12/1999 | O'Neill   | ..... | D7/606                |
| D488,674 S *  | 4/2004  | O'Neill   | ..... | D7/515                |
| D504,350 S *  | 4/2005  | Bjorklund | ..... | D11/149               |
| D547,805 S *  | 7/2007  | Killinger | ..... | D19/77                |
| D578,350 S *  | 10/2008 | Eide      | ..... | D7/509                |
| D600,072 S *  | 9/2009  | Hayes     | ..... | D7/509                |
| D621,221 S *  | 8/2010  | Henry     | ..... | D7/531                |
| D653,508 S *  | 2/2012  | Nguyen    | ..... | D7/675                |
| D654,318 S *  | 2/2012  | O'Neill   | ..... | D11/149               |
| D665,236 S *  | 8/2012  | Zemel     | ..... | D7/675                |
| D730,672 S *  | 6/2015  | Darling   | ..... | D7/302                |

\* cited by examiner

*Primary Examiner* — Marianne Pandozzi

*Assistant Examiner* — Jae Liang

(74) *Attorney, Agent, or Firm* — Scott Harper

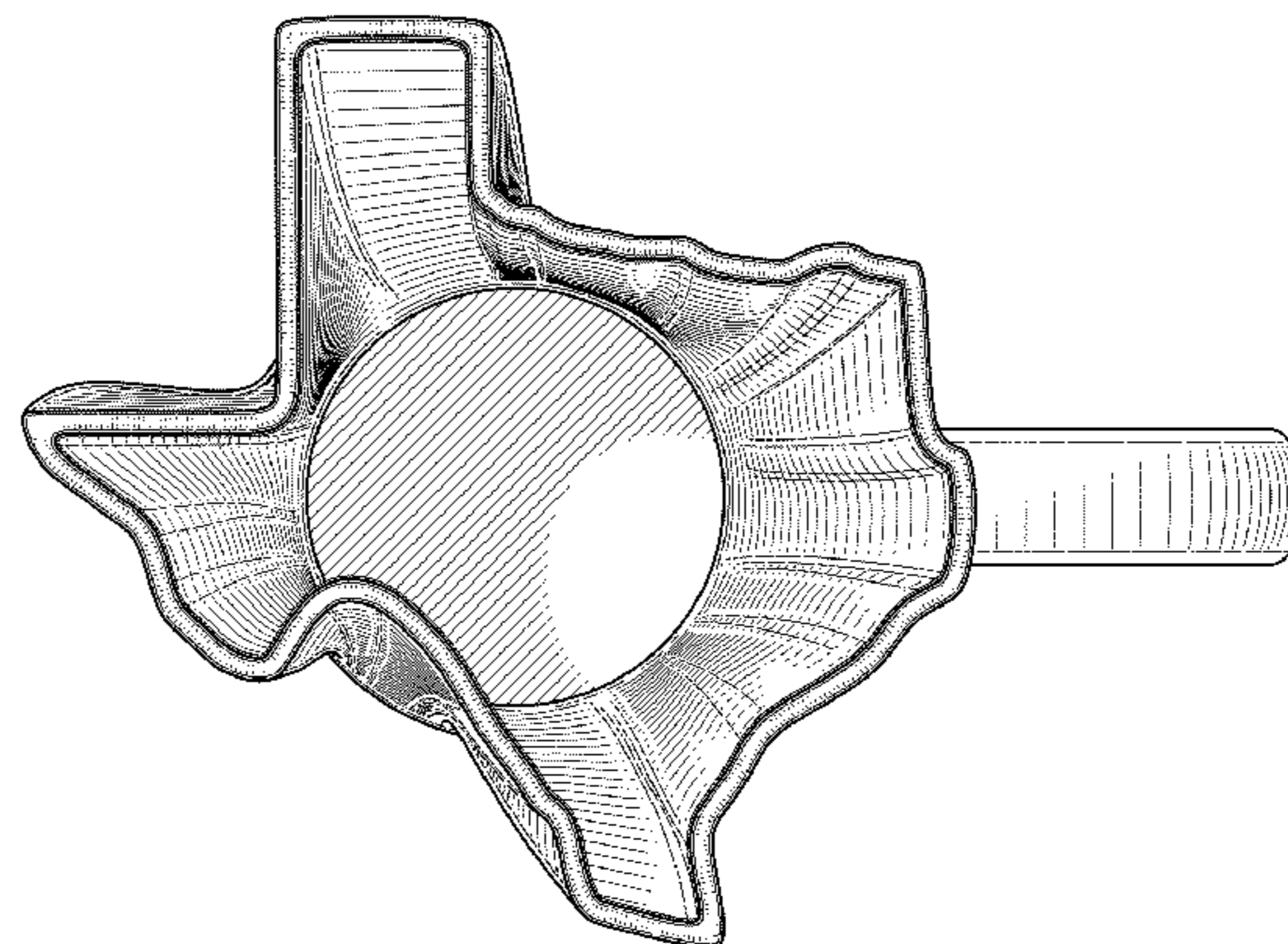
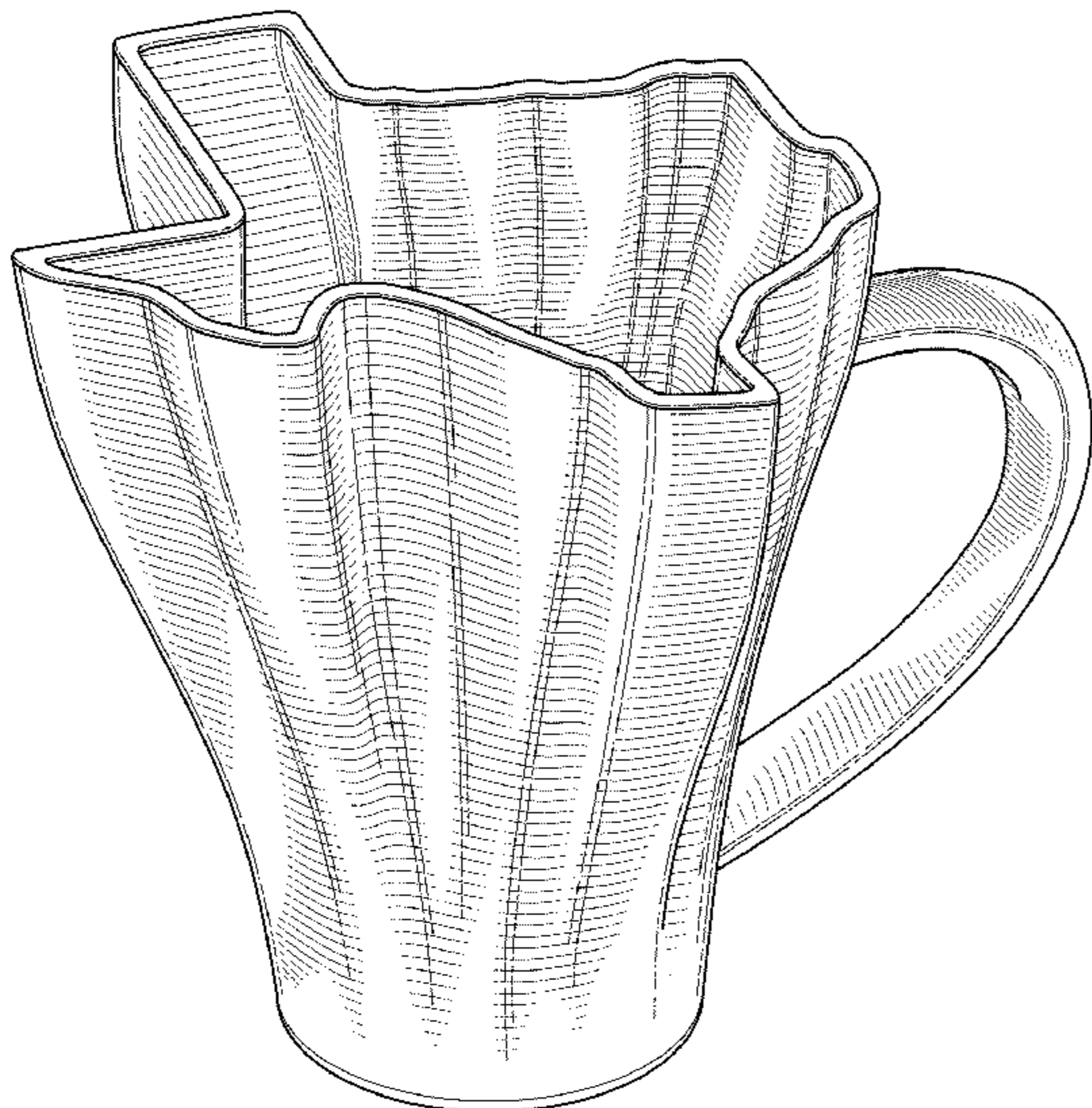
(57) **CLAIM**

The ornamental design for ornamental drinkware, as shown and described.

**DESCRIPTION**

FIG. 1 is a perspective view of an ornamental drinkware showing my new design;  
FIG. 2 is a top view thereof;  
FIG. 3 is a bottom view thereof;  
FIG. 4 is a front view thereof;  
FIG. 5 is a rear view thereof;  
FIG. 6 is a left side view thereof; and,  
FIG. 7 is a right side view thereof.

**1 Claim, 6 Drawing Sheets**



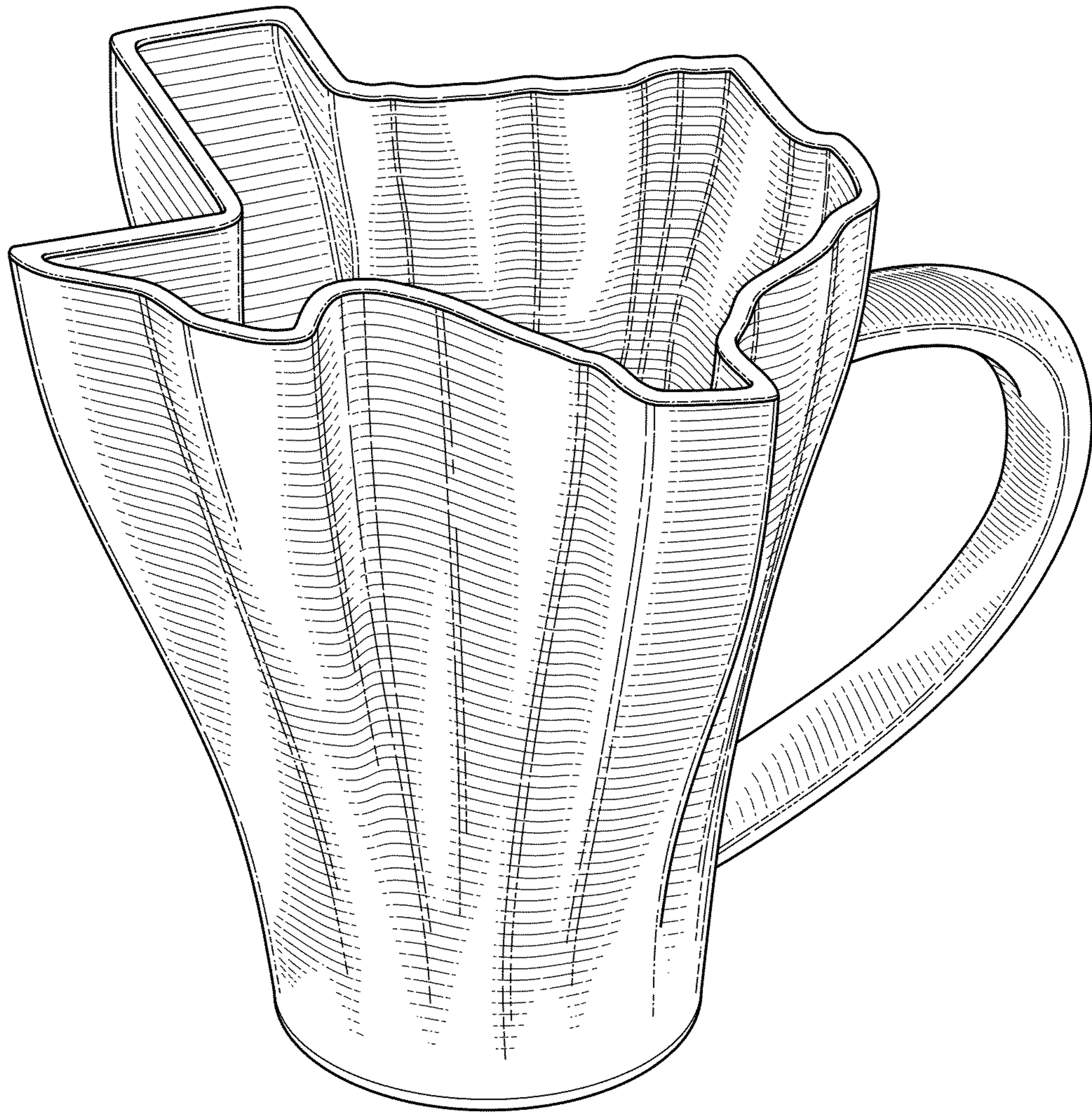


FIG. 1

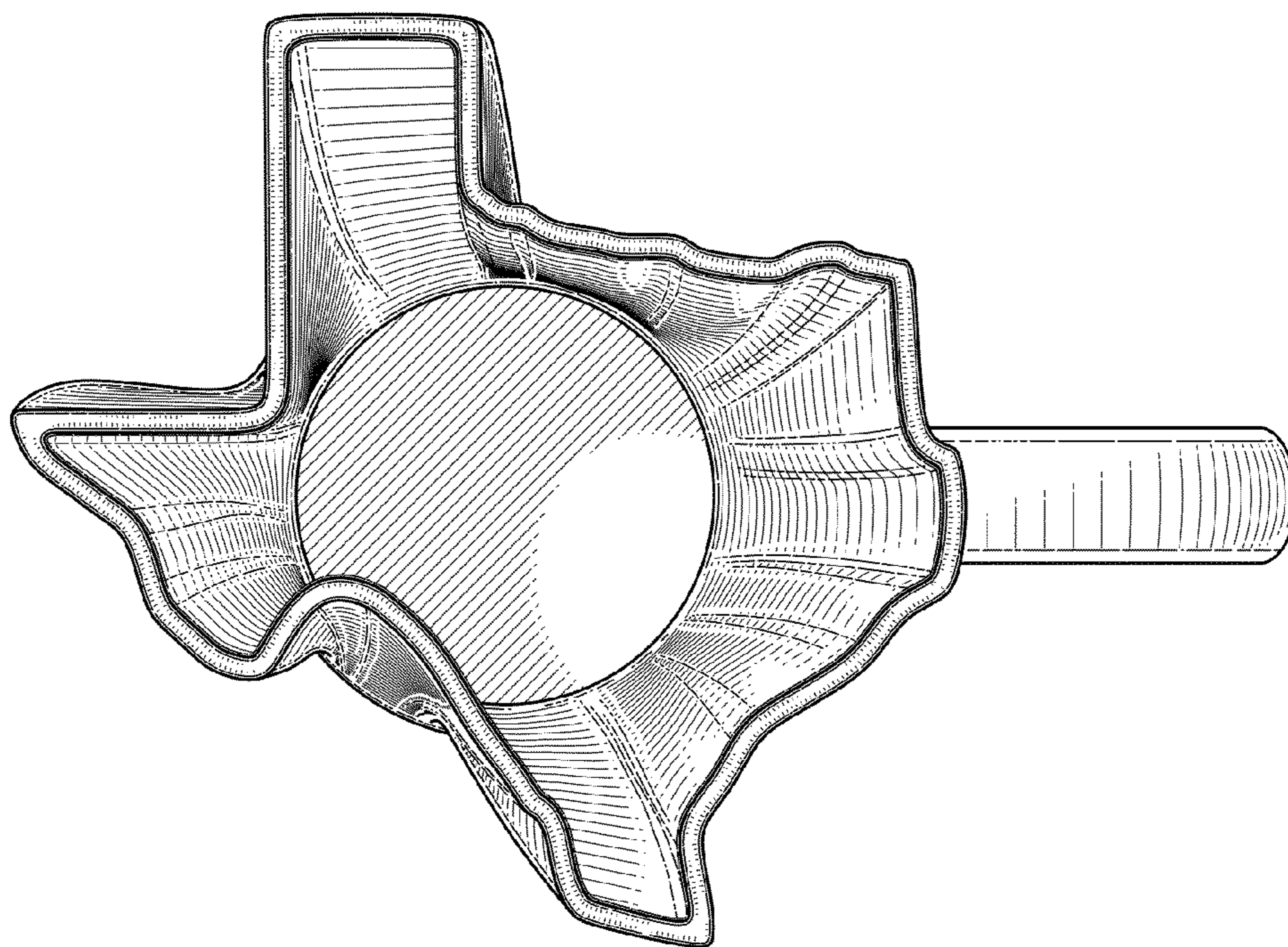


FIG. 2

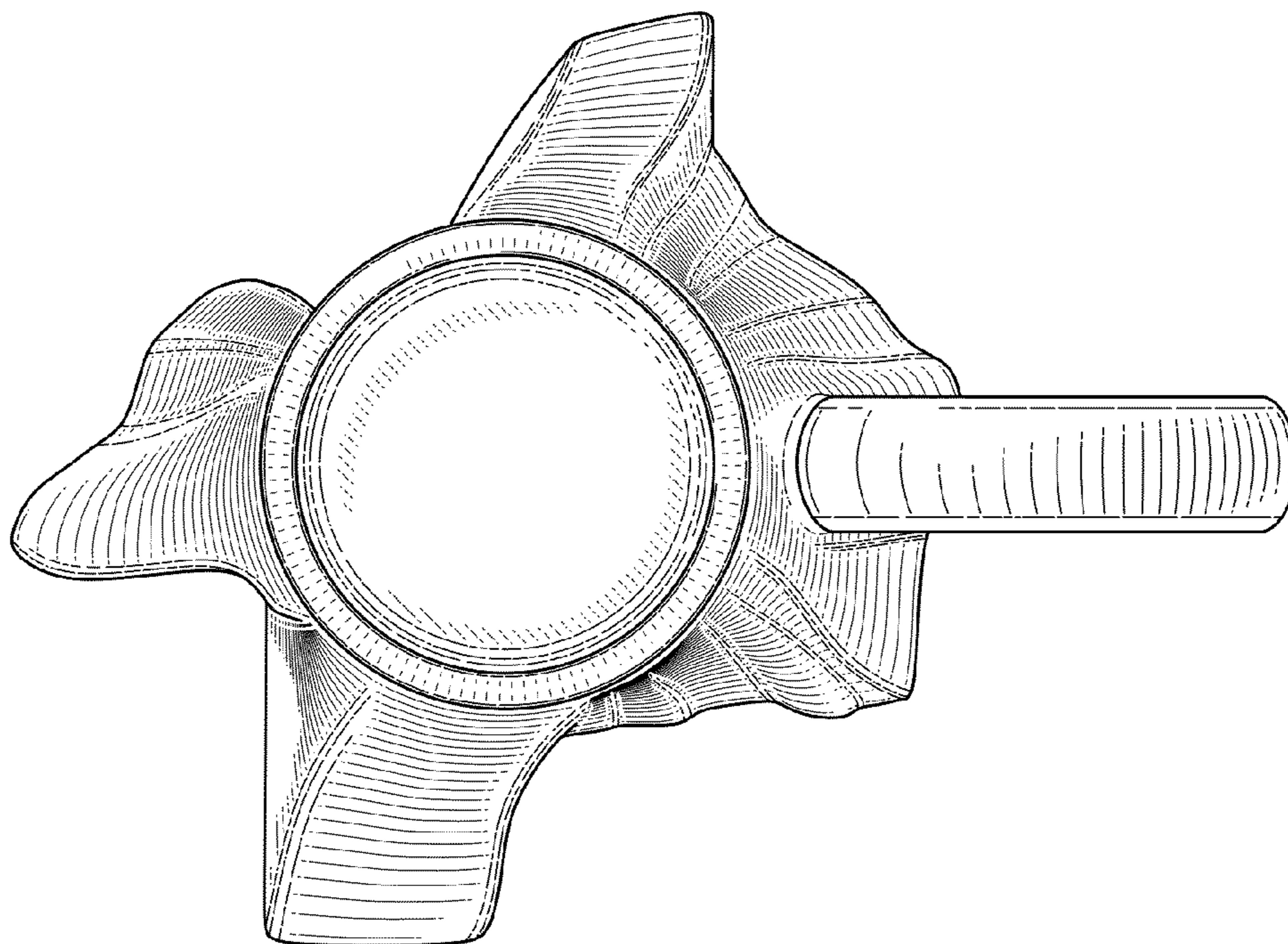


FIG. 3

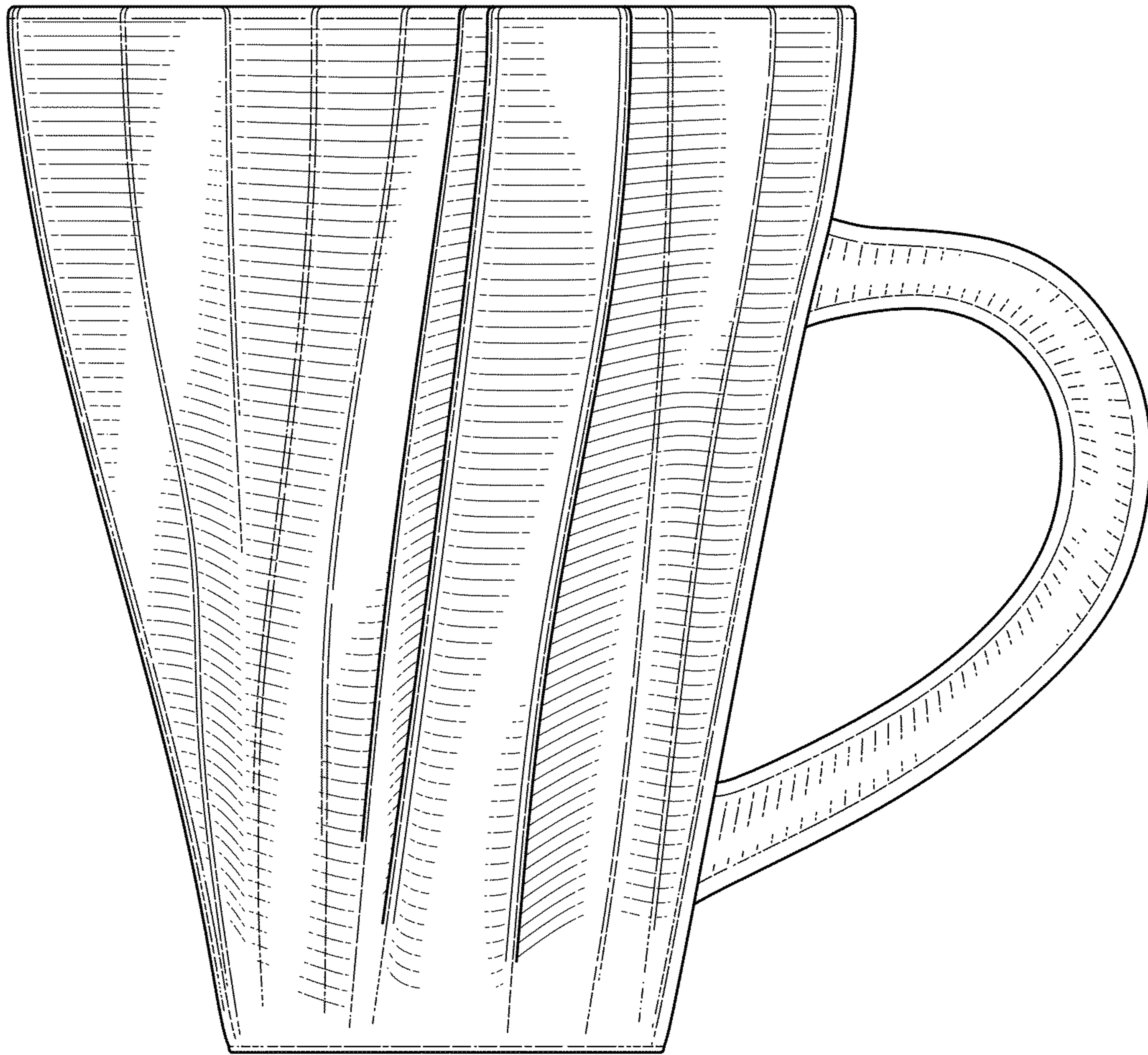


FIG. 4

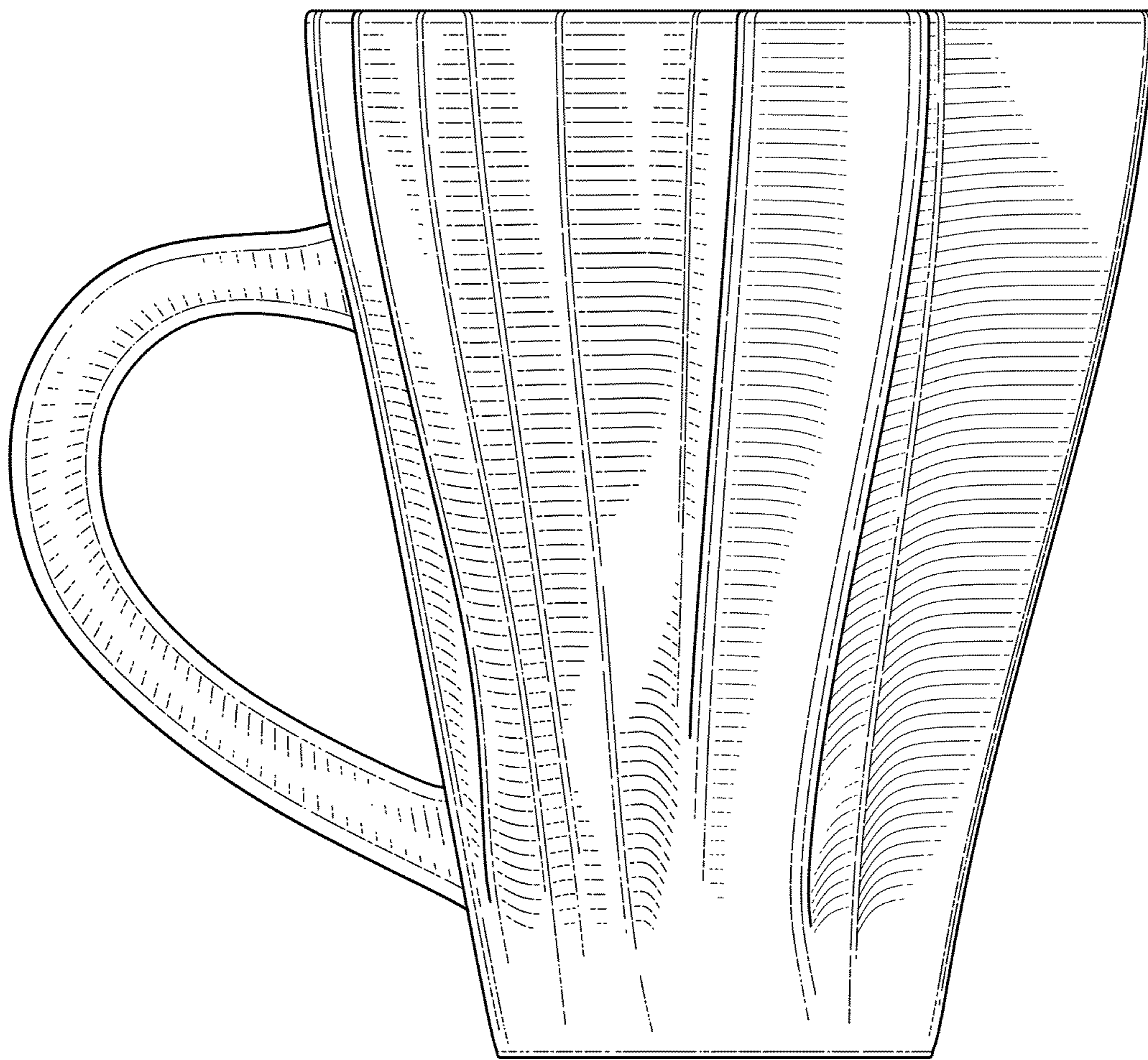


FIG. 5

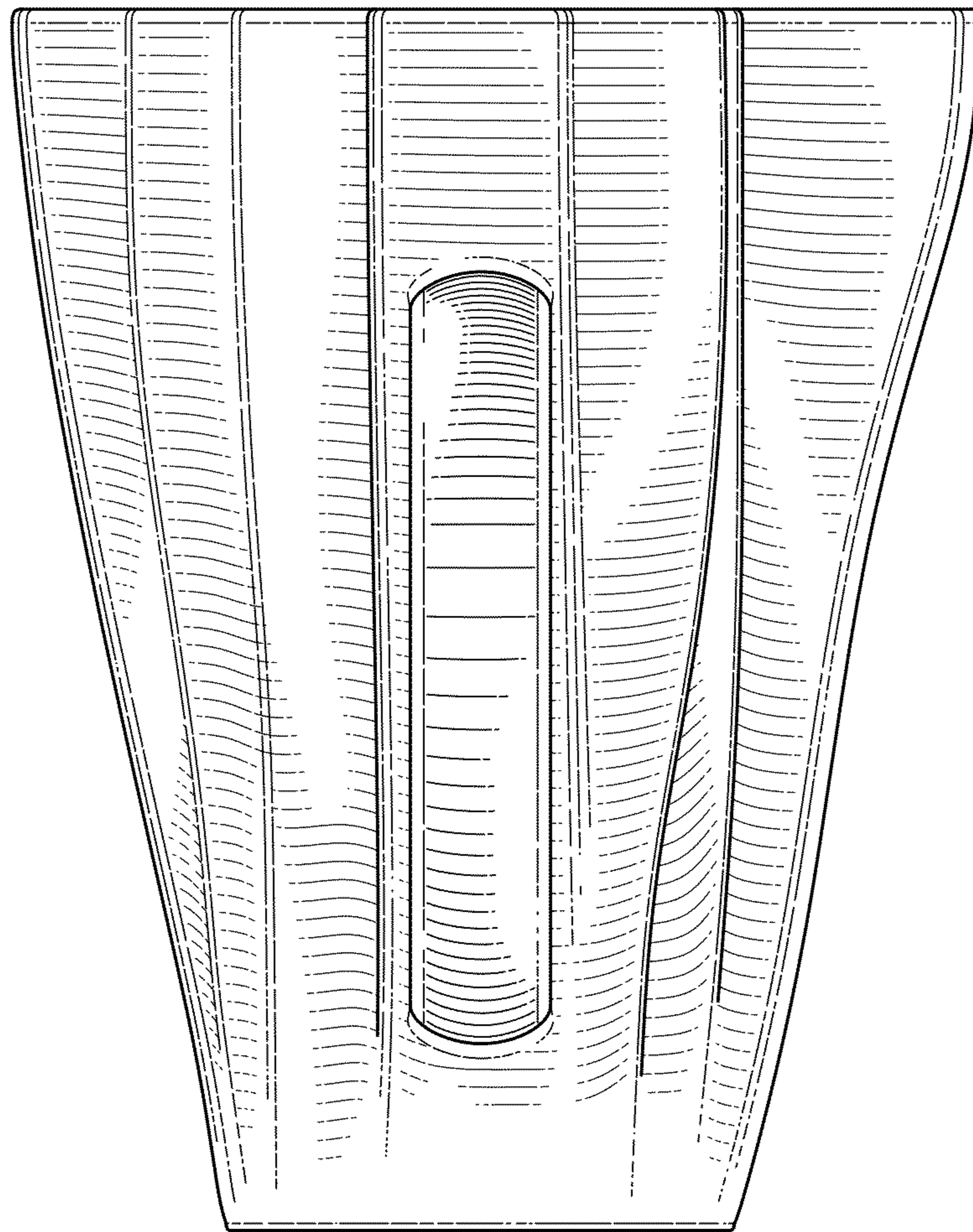


FIG. 6

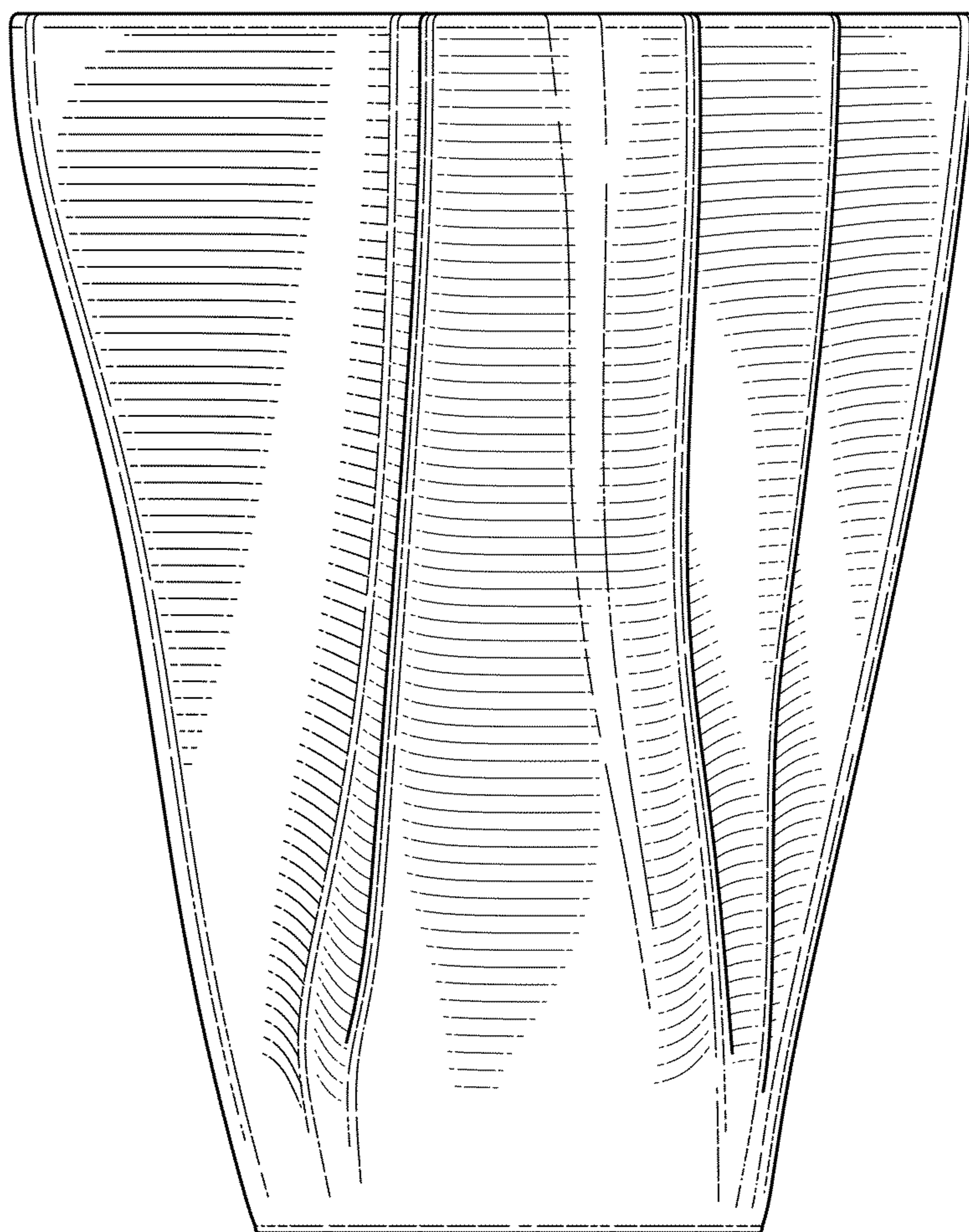


FIG. 7