



US00D744279S

(12) **United States Design Patent**  
**Arciero et al.**

(10) **Patent No.:** **US D744,279 S**  
(45) **Date of Patent:** **\*\* Dec. 1, 2015**

(54) **DISPOSABLE CUP FOR HOT BEVERAGE**

(56) **References Cited**

(71) Applicants: **Lisa Francine Arciero**, Hampton, VA  
(US); **Marcellus Williams**, Hampton,  
VA (US)

(72) Inventors: **Lisa Francine Arciero**, Hampton, VA  
(US); **Marcellus Williams**, Hampton,  
VA (US)

(\*\*) Term: **14 Years**

(21) Appl. No.: **29/474,259**

(22) Filed: **Jul. 28, 2014**

(51) **LOC (10) Cl.** ..... **07-01**

(52) **U.S. Cl.**  
USPC ..... **D7/510; D7/523**

(58) **Field of Classification Search**  
USPC ..... D7/507, 509, 510, 511, 523, 531, 538,  
D7/548, 543, 619.1, 624.3, 213, 591, 642,  
D7/653, 393; D9/417, 420, 425, 530, 534,  
D9/538, 549, 503, 504; D27/187, 191,  
D27/161; D13/144; D10/2; 43/13; 215/387,  
215/44; 220/703, 278, 780, 713; 229/404;  
D28/76, 85, 88

CPC .. A47G 19/2266; A47G 19/2222; A45F 3/16;  
B65B 1/04; B65B 1/00; B65B 3/00; B65B  
5/00; B65D 83/00; B65D 47/06; B65D 41/18

See application file for complete search history.

U.S. PATENT DOCUMENTS

D107,781 S *	1/1938	Mackelfresh, Jr. ....	D7/531
3,126,139 A *	3/1964	Schechter .....	229/403
3,864,976 A *	2/1975	Parker .....	374/161
5,720,555 A *	2/1998	Elele .....	374/150
D417,845 S *	12/1999	Sadlier et al. ....	D9/447
7,185,781 B2 *	3/2007	Pitts .....	220/367.1
D561,535 S *	2/2008	Jin .....	D7/531
D597,365 S *	8/2009	Oas .....	D7/300.1
D655,983 S *	3/2012	Cozzolino et al. ....	D7/510
D664,001 S *	7/2012	Liu .....	D7/510
D673,421 S *	1/2013	Chiu et al. ....	D7/396.2
D714,098 S *	9/2014	Zollweg et al. ....	D7/523

\* cited by examiner

*Primary Examiner* — Marianne Pandozzi

*Assistant Examiner* — Jae Liang

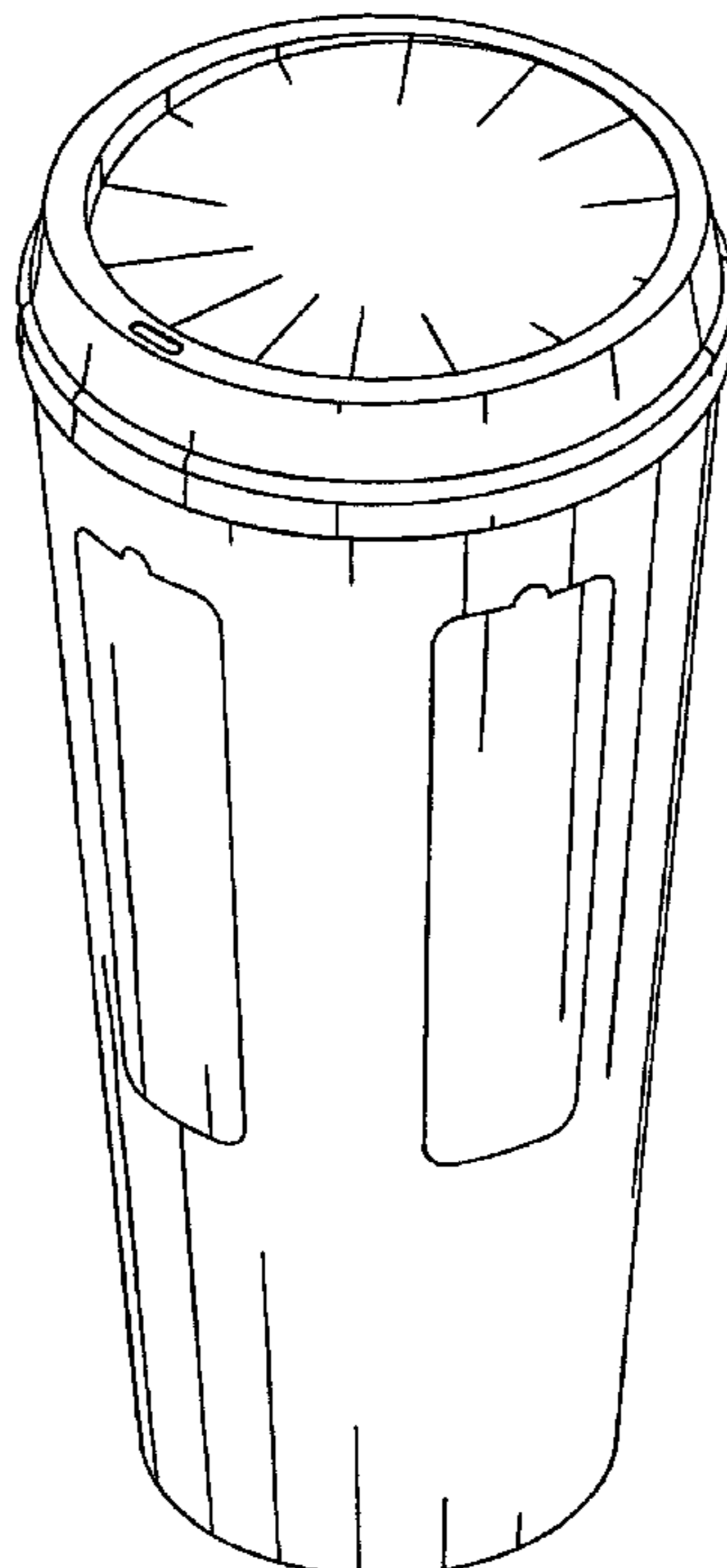
(57) **CLAIM**

The ornamental design for a disposable cup for hot beverage, as shown and described.

**DESCRIPTION**

FIG. 1 is an isometric view of a disposable cup for hot beverage showing our new design;  
FIG. 2 is a front elevational view thereof;  
FIG. 3 is a left side view thereof;  
FIG. 4 is a right side view thereof;  
FIG. 5 is a rear view thereof;  
FIG. 6 is a top view thereof; and,  
FIG. 7 is a bottom view thereof.

**1 Claim, 4 Drawing Sheets**



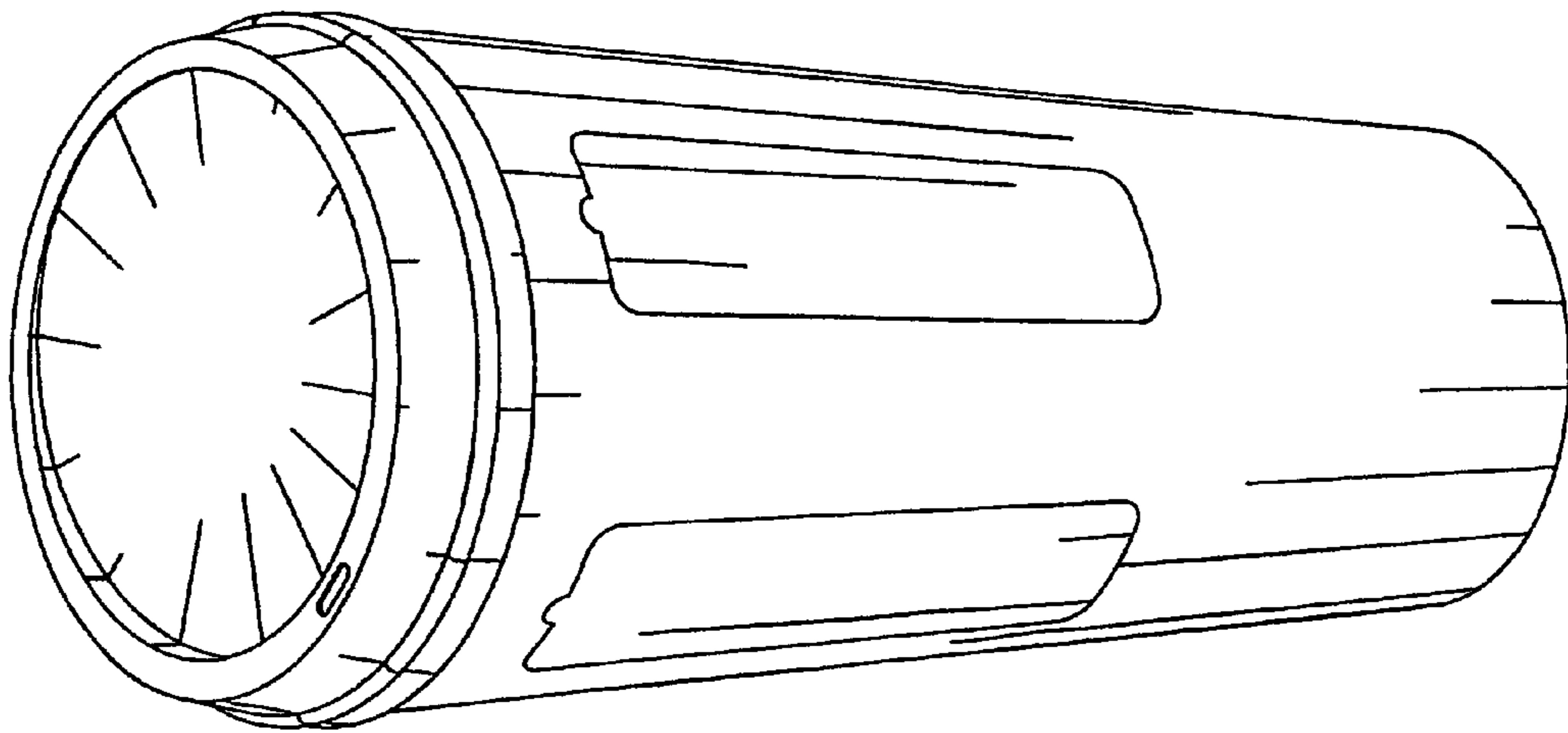


FIG. 1

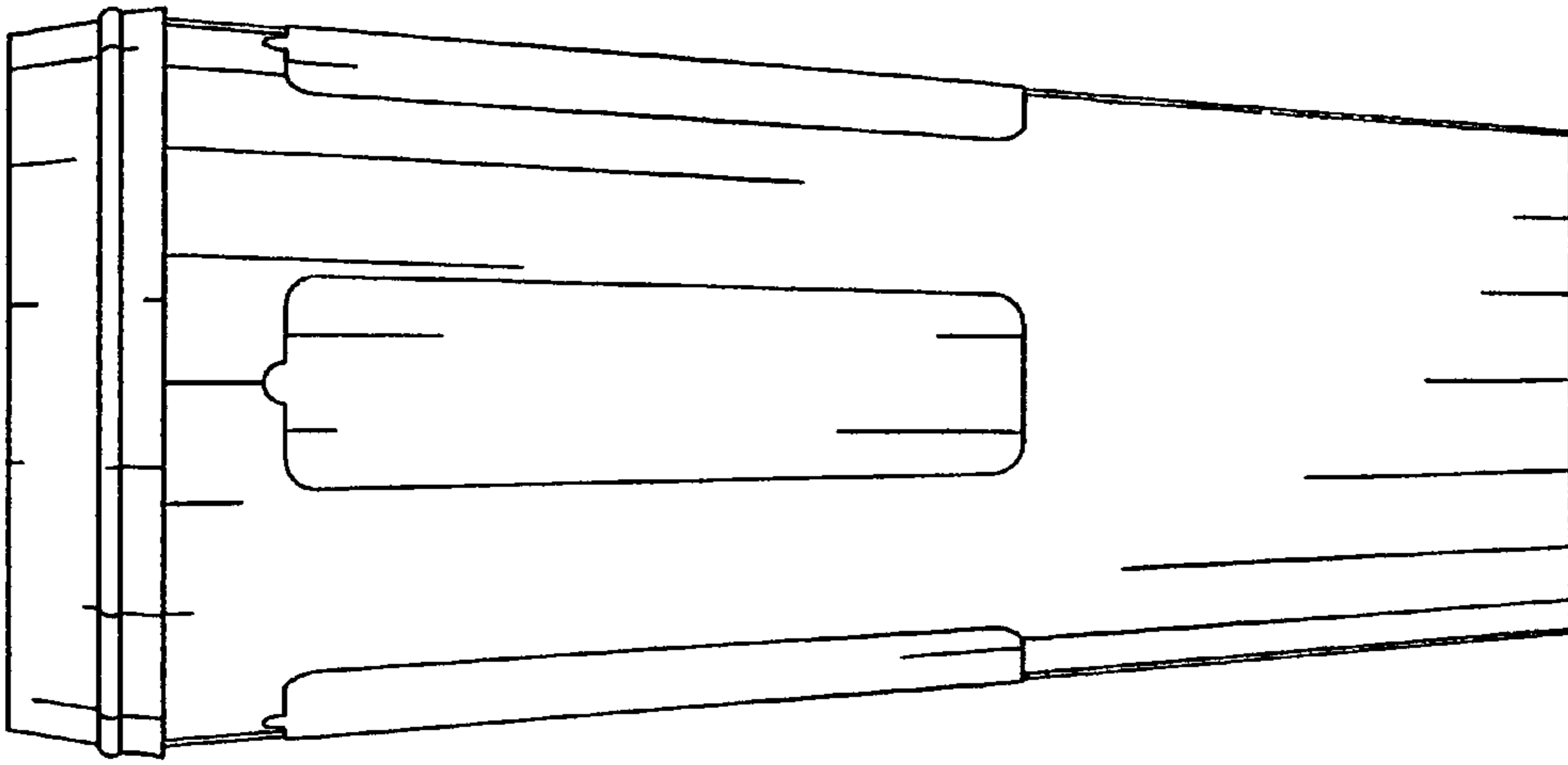


FIG. 2

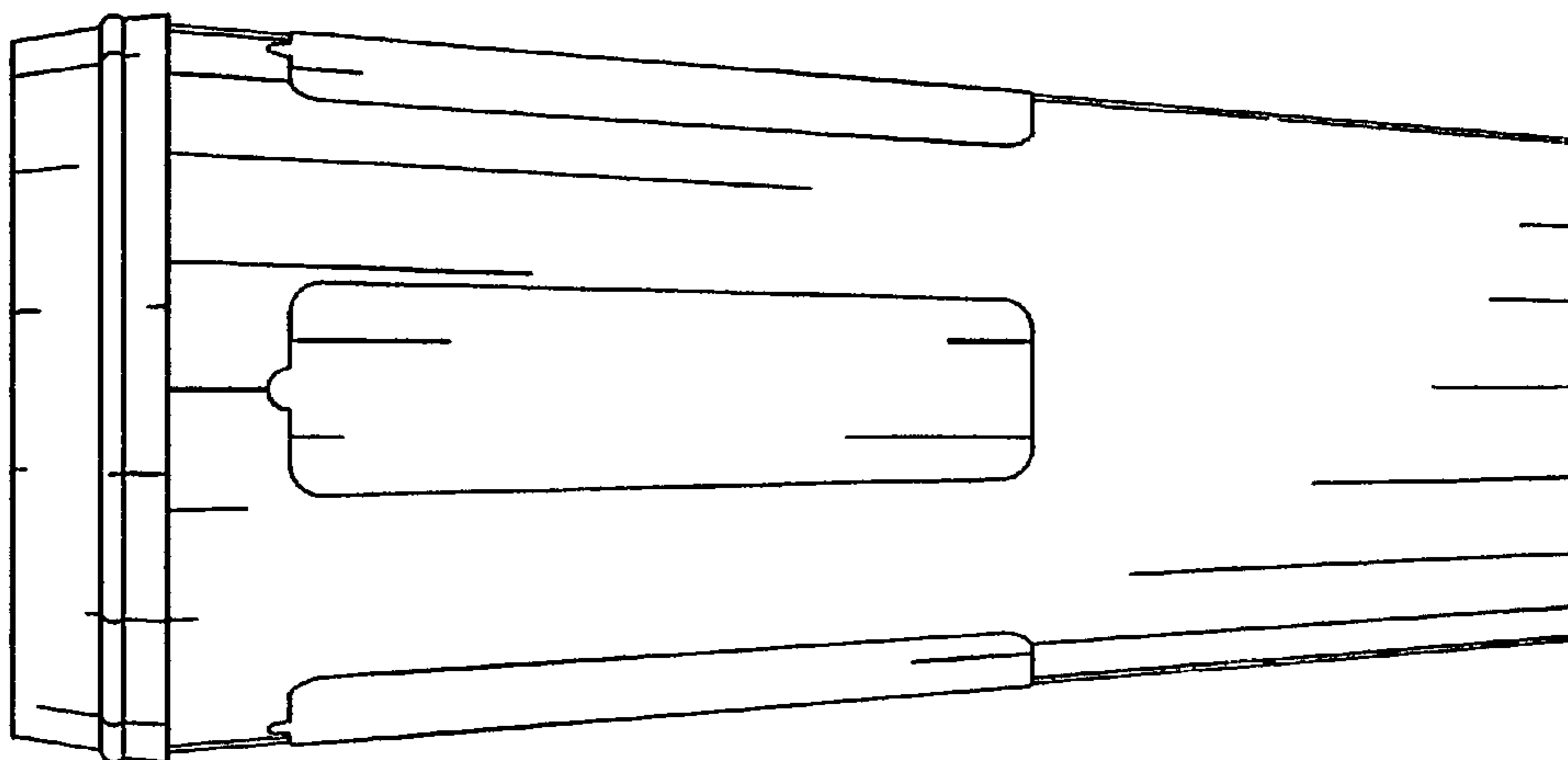


FIG. 4

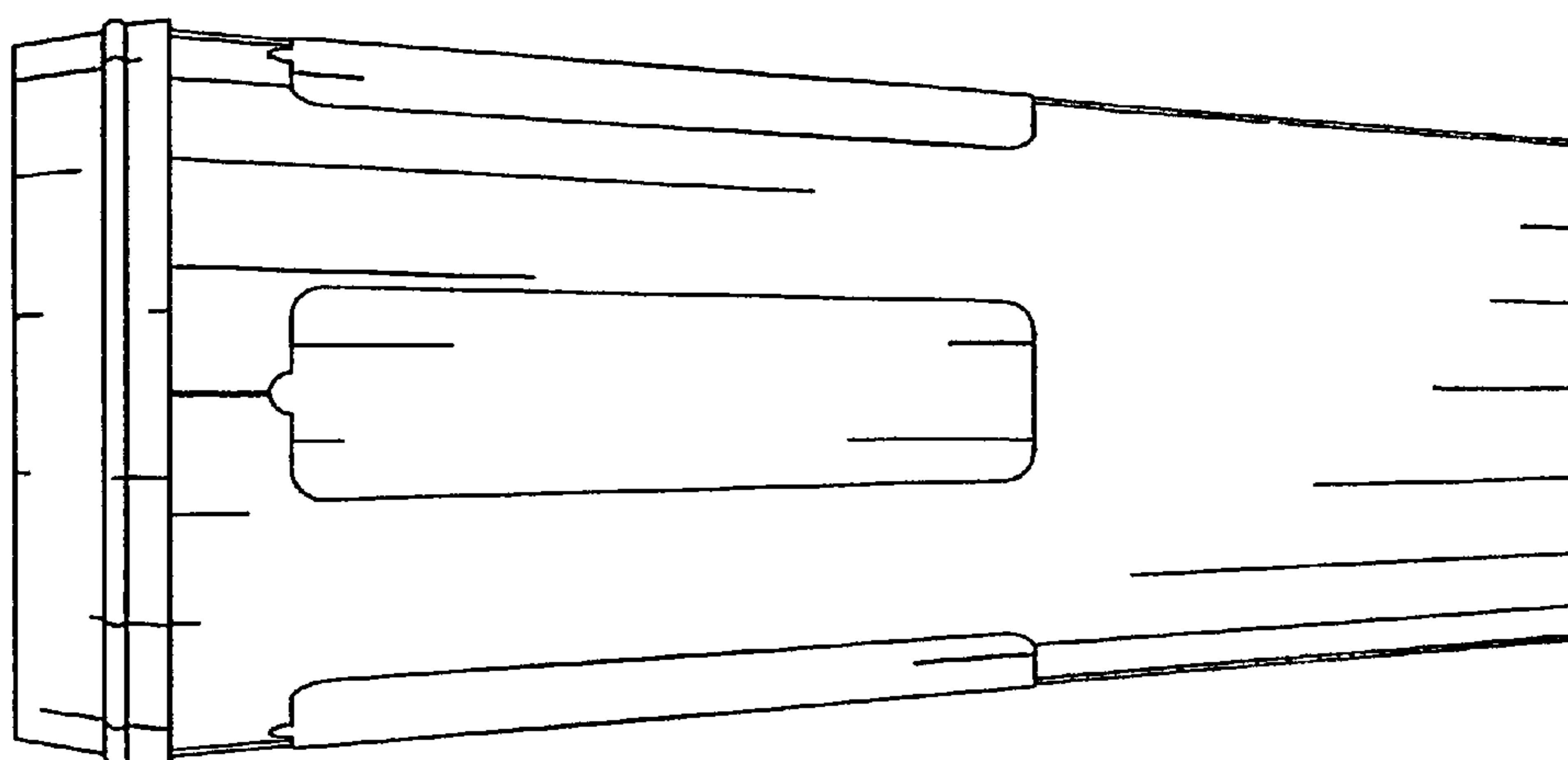


FIG. 3

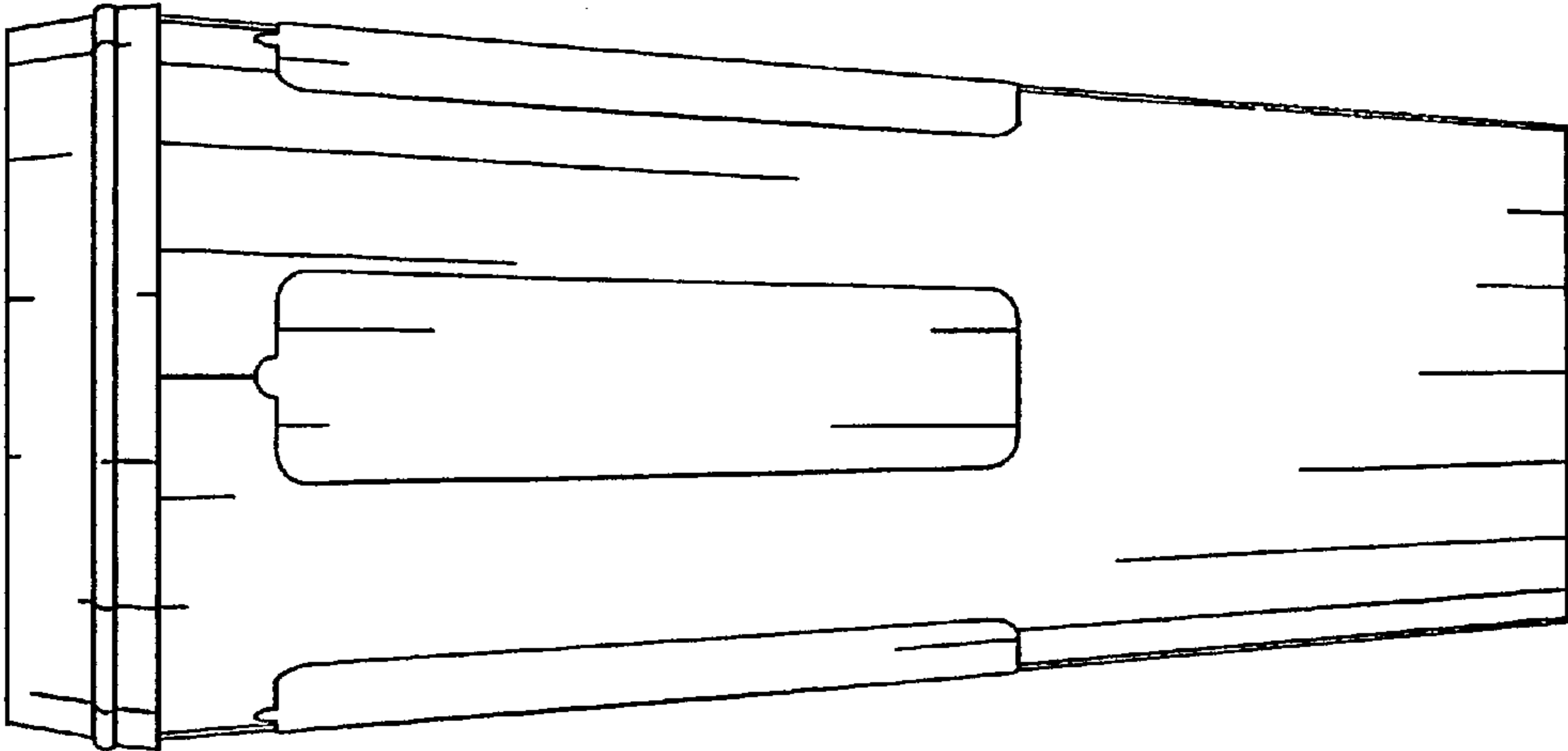


FIG. 5

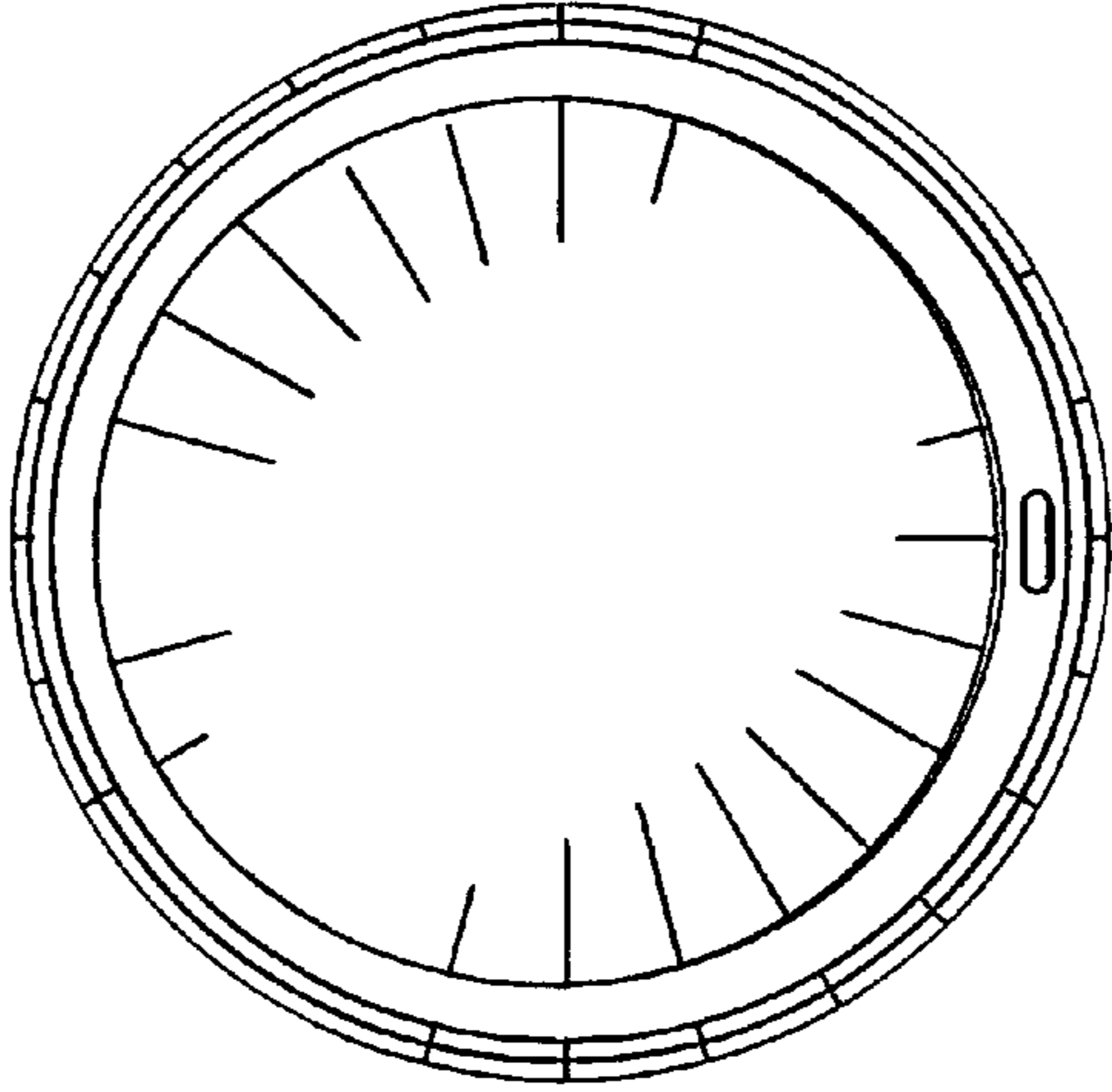


FIG. 6

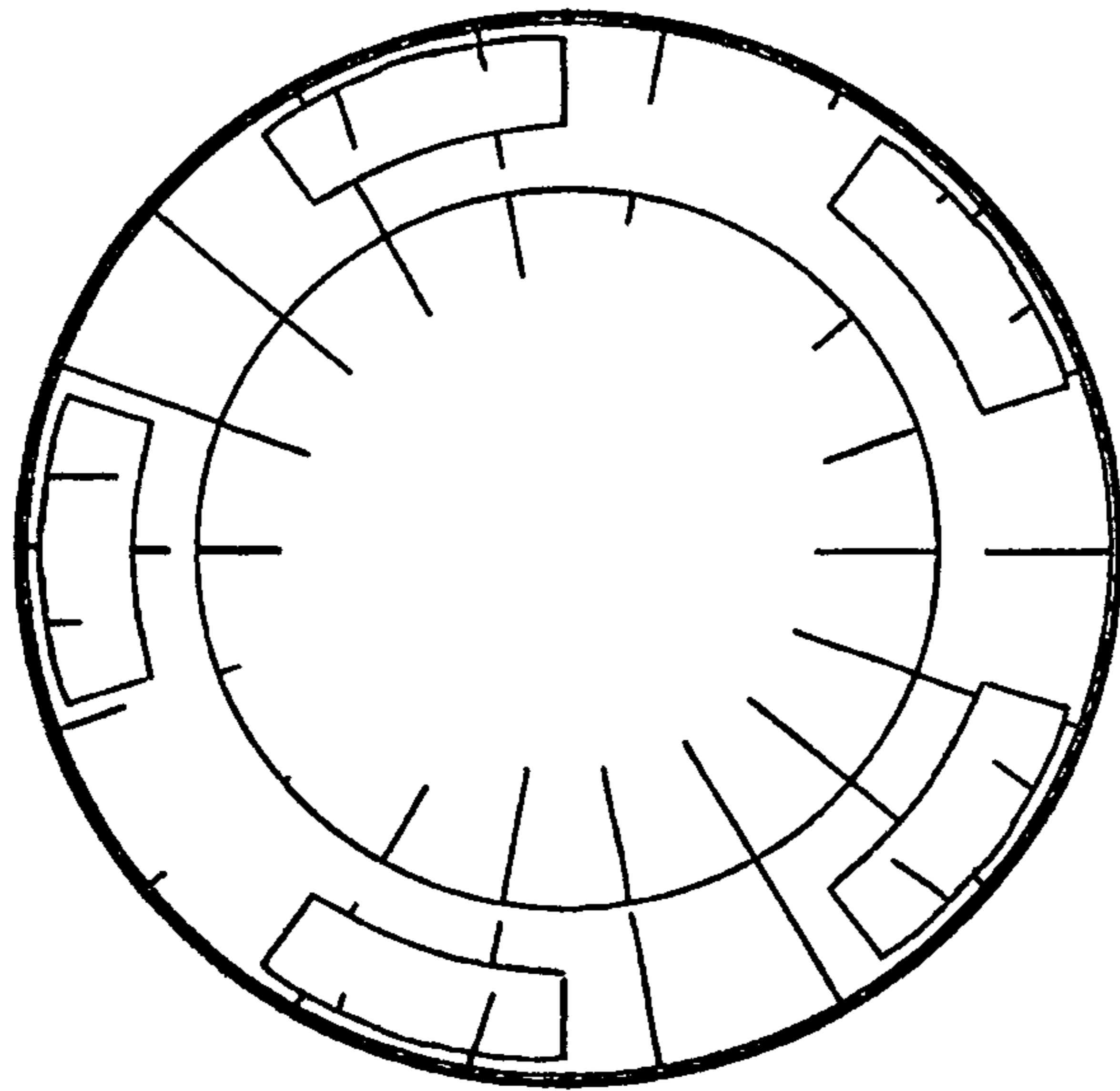


FIG. 7