



US00D744275S

(12) **United States Design Patent**  
**Lownds et al.**

(10) **Patent No.:** **US D744,275 S**  
(45) **Date of Patent:** **\*\* Dec. 1, 2015**

(54) **BLENDING APPLIANCE**

(71) Applicant: **Whirlpool Corporation**, Benton Harbor, MI (US)

(72) Inventors: **Zachary A. Lownds**, St. Joseph, MI (US); **Brandon T. Mock**, St. Joseph, MI (US)

(73) Assignee: **Whirlpool Corporation**, Benton Harbor, MI (US)

(\*\*) Term: **14 Years**

(21) Appl. No.: **29/484,921**

(22) Filed: **Mar. 14, 2014**

(51) **LOC (10) Cl.** ..... **31-00**

(52) **U.S. Cl.**  
USPC ..... **D7/378; D7/376; D7/384**

(58) **Field of Classification Search**

USPC ..... D7/306, 309, 372, 376–386, 412–413, D7/602, 629, 665–666, 669, 679, D7/693–694; 99/282, 509–511; 241/92, 241/98, 101.01–101.2, 166–169.1, 241/274–278.2, 285.1–285.3, 291, 292.1; 366/64–65, 97–98, 100, 130, 197–201, 366/205–207, 219–220, 341–343  
CPC ..... A21C 1/02; A21C 1/04; A23N 1/00; A23N 1/02; A47J 31/005; A47J 43/04; A47J 43/25; A47J 43/27; A47J 43/042; A47J 43/044; A47J 43/046; A47J 43/075; A47J 43/0722; A47J 43/0727; B01F 3/00; B01F 3/0807; B01F 3/0853; B01F 13/0059; B01F 13/0064; B02C 1/08; B02C 2/04; B02C 4/42; B02C 4/142; B02C 4/143; B02C 4/423; B02C 13/1835; B28C 5/10; B28C 5/12; B28C 5/14; B28C 5/16  
See application file for complete search history.

(56) **References Cited**

U.S. PATENT DOCUMENTS

5,233,914 A *	8/1993	English	99/282
D391,441 S *	3/1998	Tanaka et al.	D7/372
D489,214 S *	5/2004	Noda et al.	D7/309
D596,441 S *	7/2009	Cahen	D7/309
D602,303 S *	10/2009	Cahen	D7/309
D610,857 S *	3/2010	Pateman et al.	D7/306
D644,058 S *	8/2011	Cahen	D7/309
D667,251 S *	9/2012	Cahen	D7/309
D687,255 S *	8/2013	Grasselli et al.	D7/309
D690,150 S *	9/2013	Cahen	D7/309
D695,560 S *	12/2013	Cahen	D7/309
D696,888 S *	1/2014	Cahen	D7/309
D714,088 S *	9/2014	Cahen	D7/309

\* cited by examiner

*Primary Examiner* — Ricky Pham

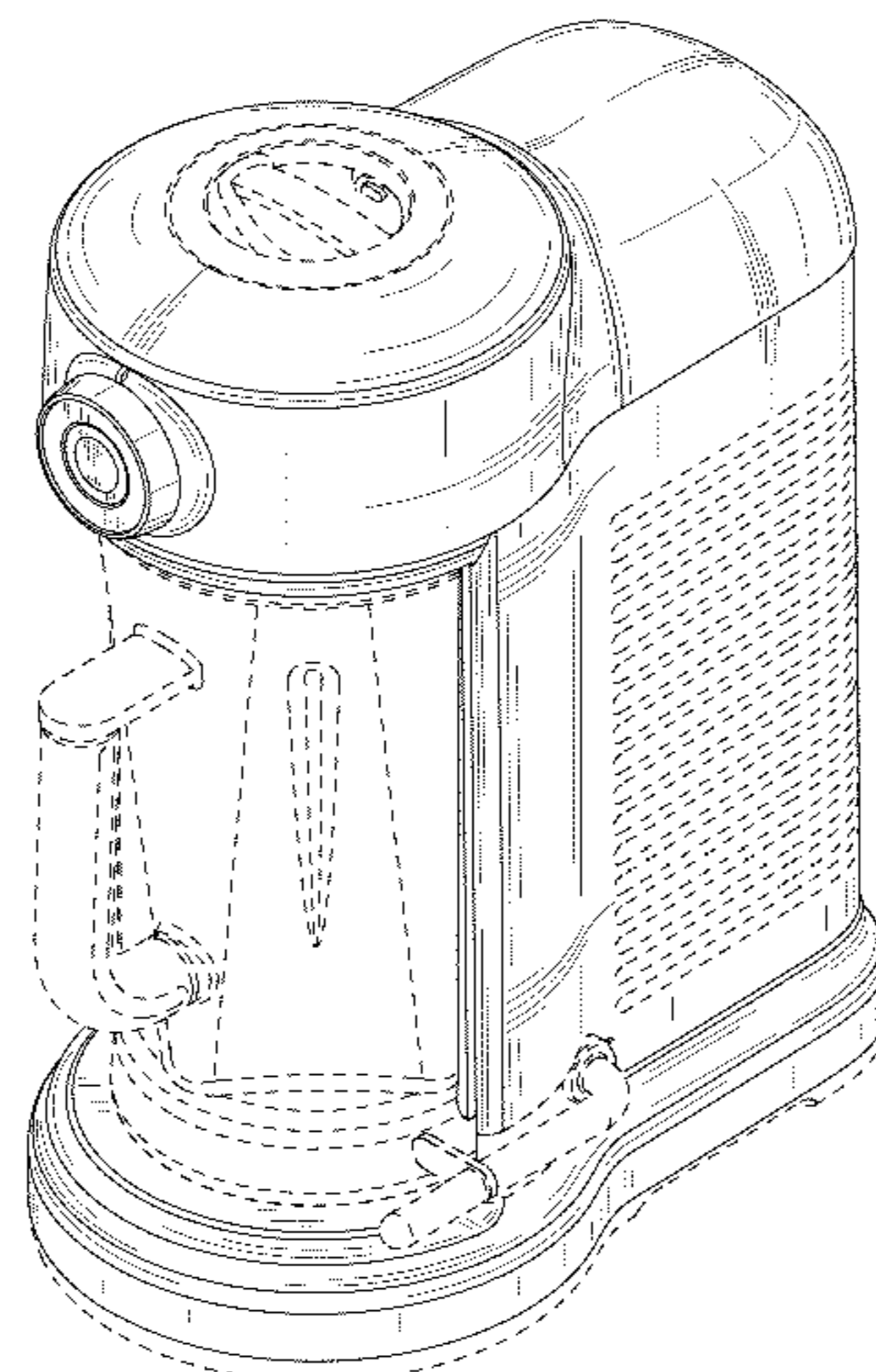
(57) **CLAIM**

We claim the ornamental design for a blending appliance, as shown and described.

**DESCRIPTION**

FIG. 1 is a front perspective view of the blending appliance of the present disclosure;  
FIG. 2 is a rear perspective view of the blending appliance of FIG. 1;  
FIG. 3 is a front elevational view of the blending appliance of FIG. 1;  
FIG. 4 is a rear elevational view of the blending appliance of FIG. 1;  
FIG. 5 is a first side elevational view of the blending appliance of FIG. 1;  
FIG. 6 is a second side elevational view of the blending appliance of FIG. 1;  
FIG. 7 is a top plan view of the blending appliance of FIG. 1; and,  
FIG. 8 is a bottom plan view of the blending appliance of FIG. 1.  
The broken lines shown in the drawings are for illustrative purposes only and form no part of the claimed design.

**1 Claim, 4 Drawing Sheets**



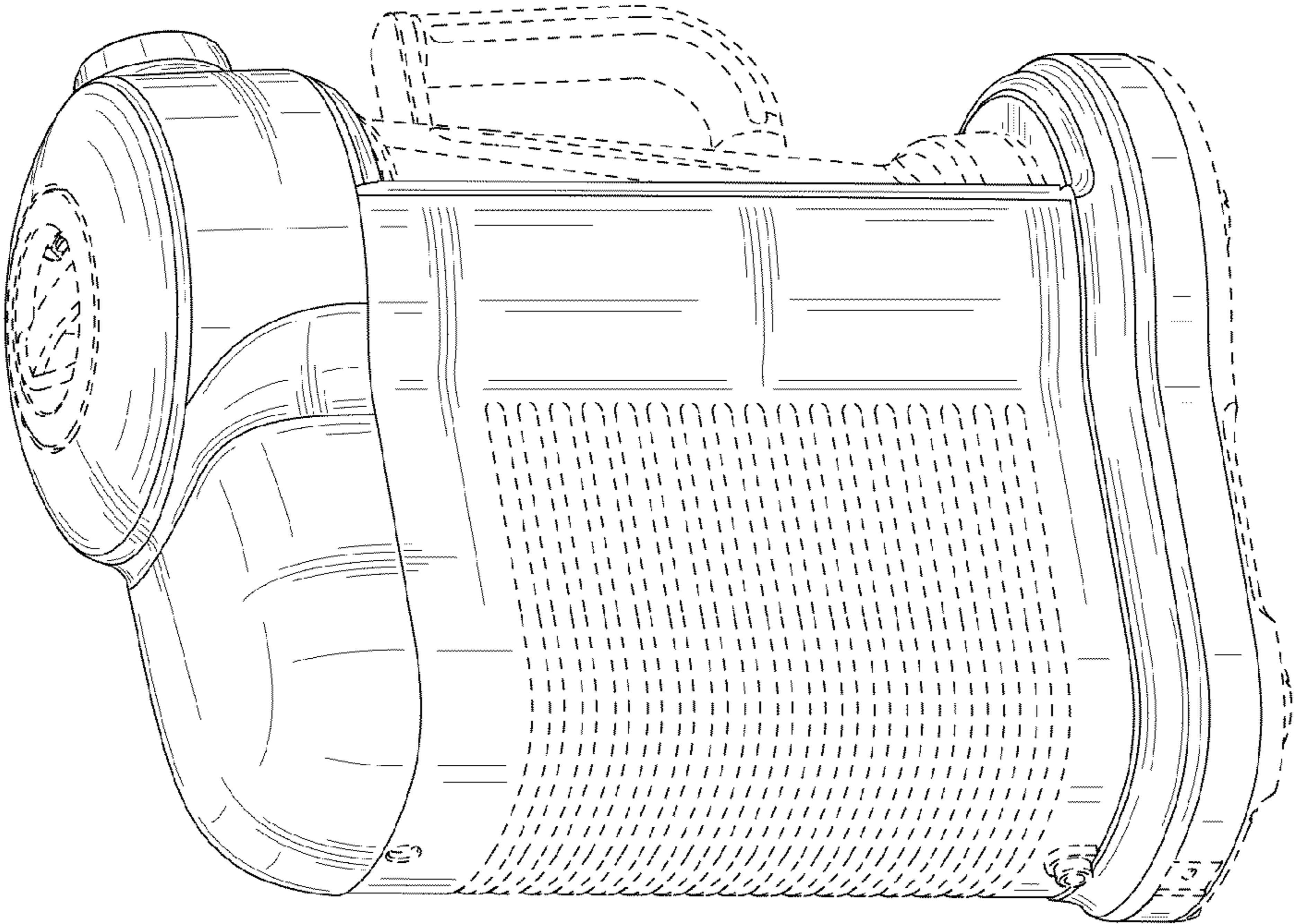


FIG. 2

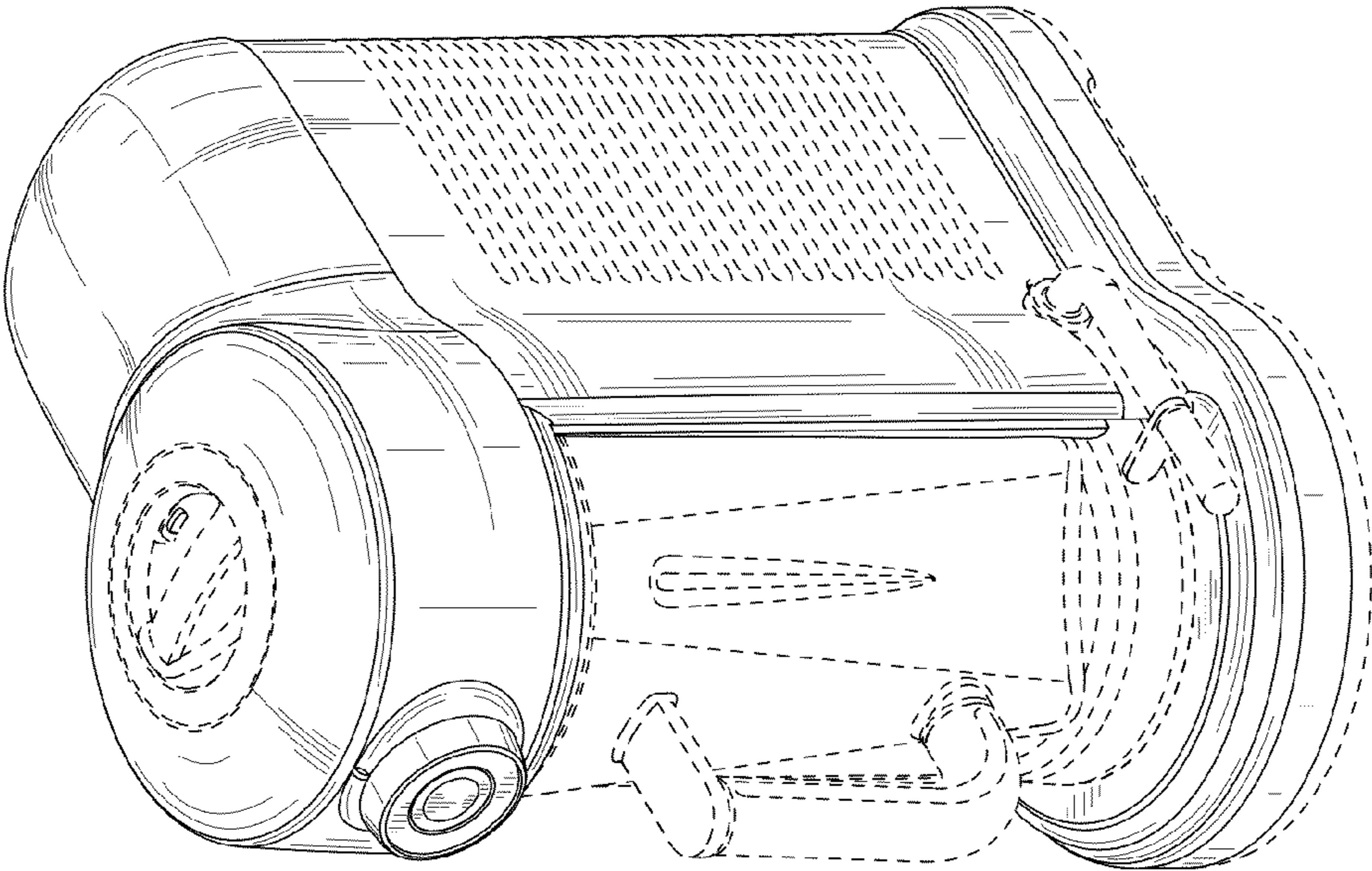


FIG. 1

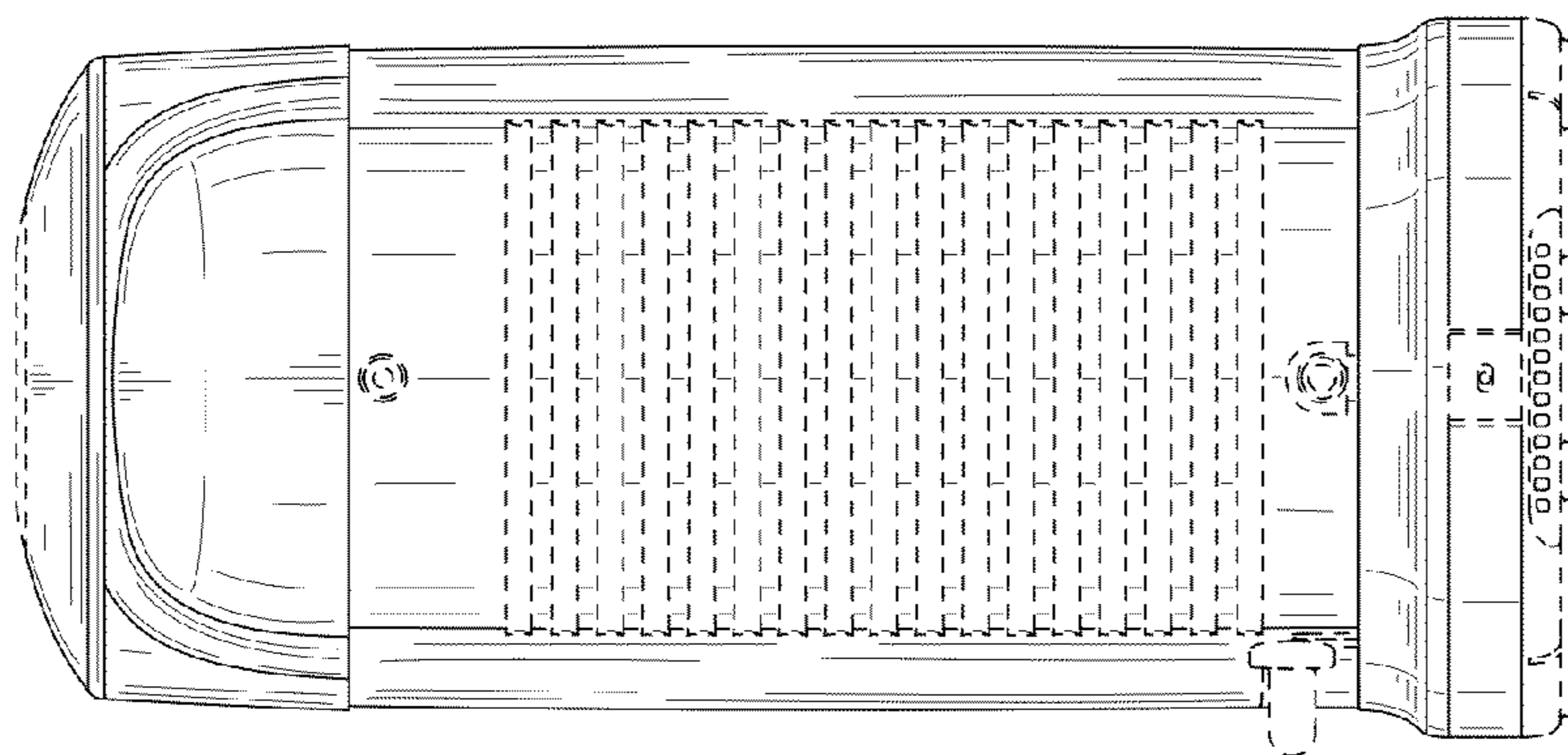


FIG. 4

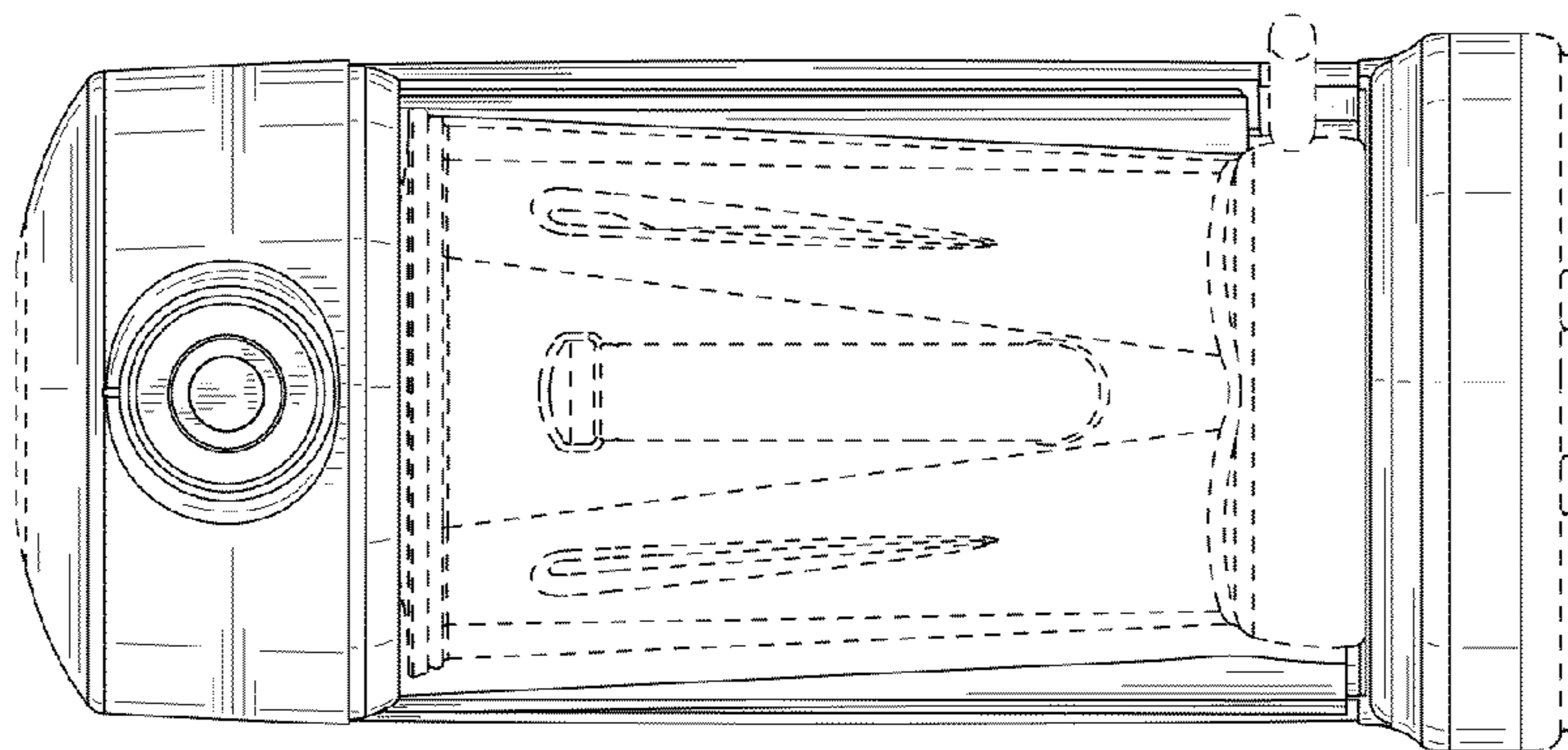


FIG. 3

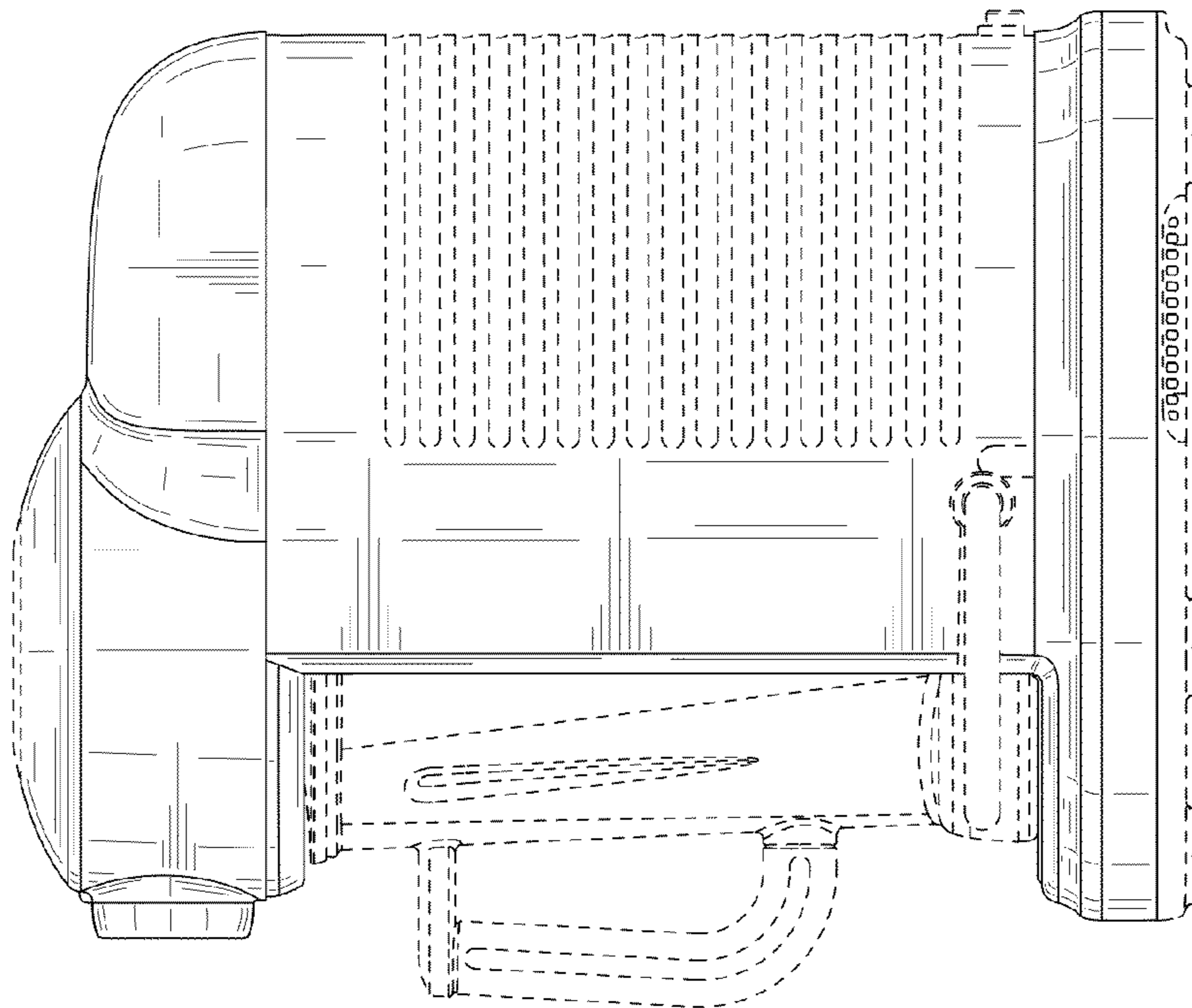


FIG. 5

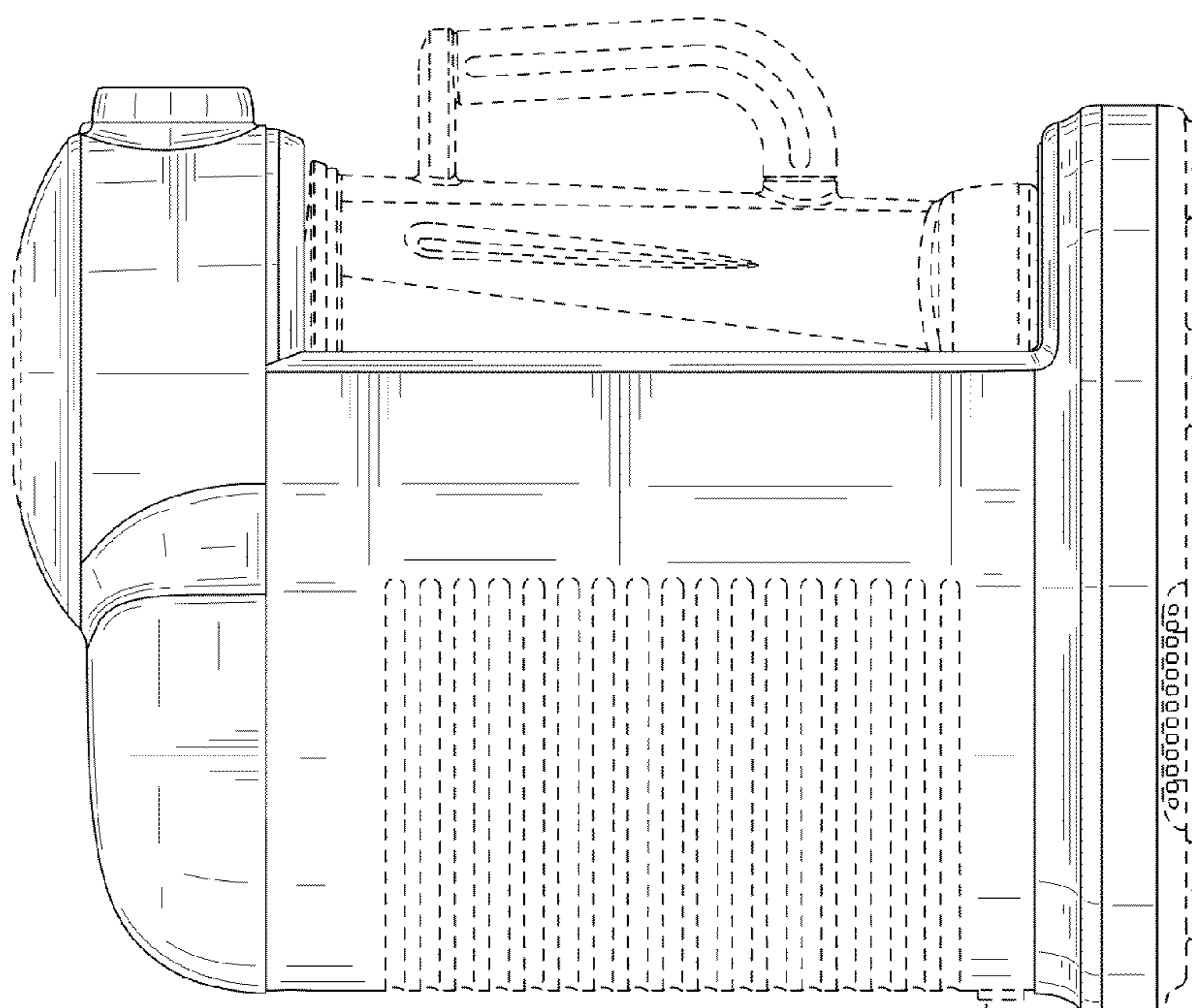


FIG. 6

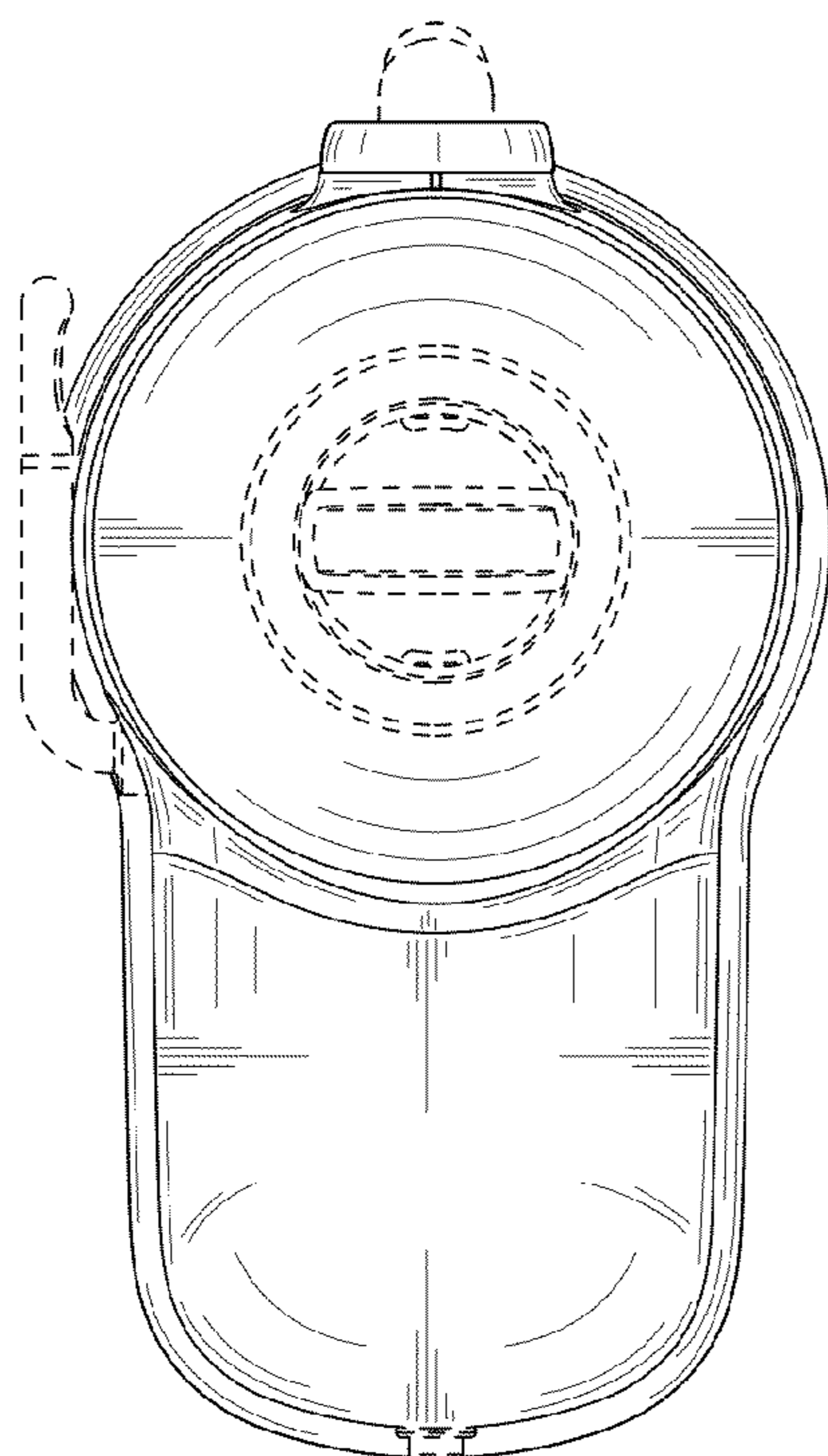


FIG. 7

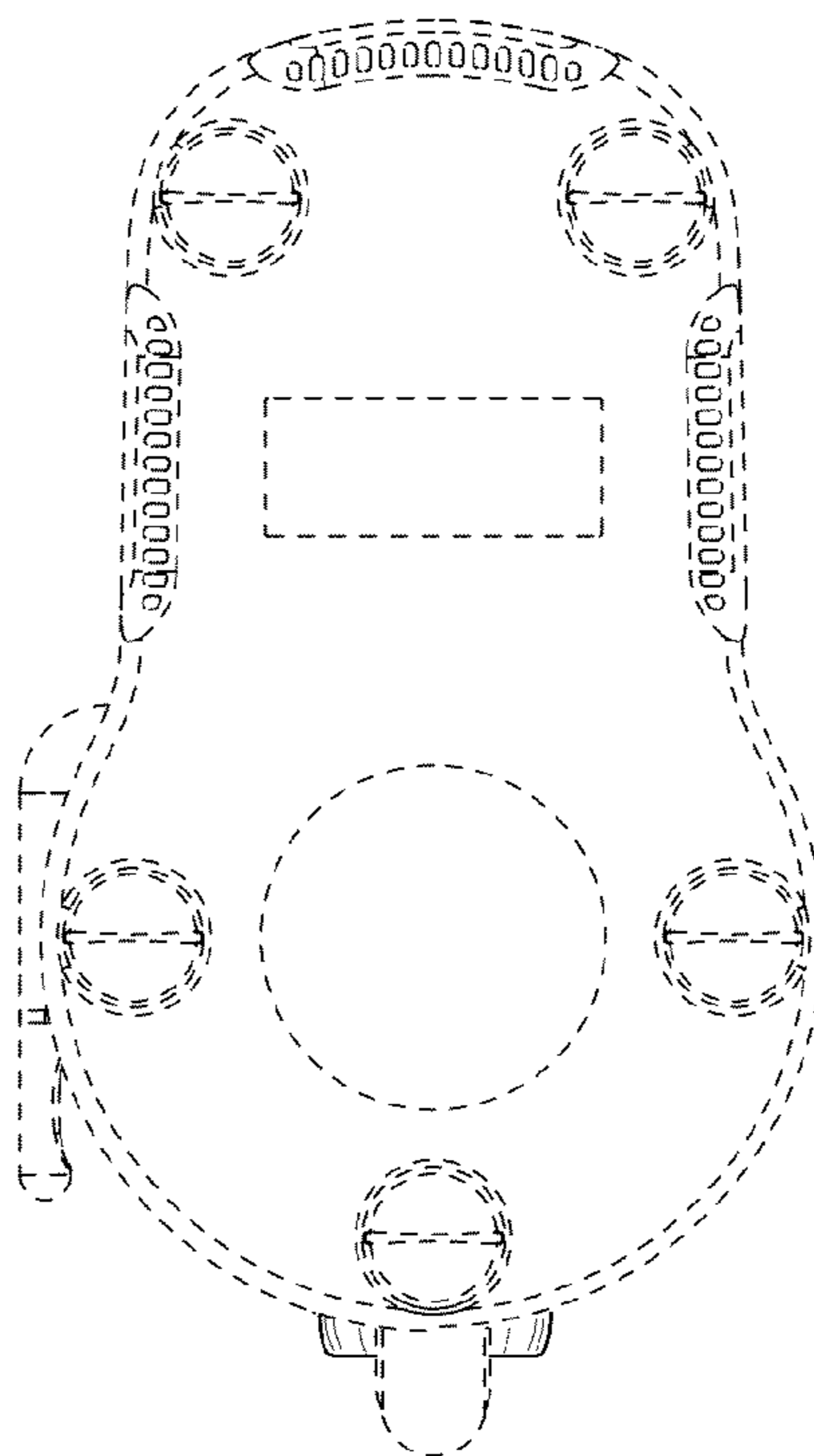


FIG. 8