



US00D744274S

(12) **United States Design Patent**
Rubio et al.

(10) **Patent No.:** **US D744,274 S**

(45) **Date of Patent:** **** Dec. 1, 2015**

(54) **HEAD OF A MACHINE FOR MAKING TORTILLAS**

(56) **References Cited**

U.S. PATENT DOCUMENTS

(71) Applicant: **INVESTIGACION DE TECNOLOGIA AVANZADA, S.A. de C.V.,** Guadalupe (MX)

4,197,792 A * 4/1980 Mendoza A21B 1/36 99/353

4,241,648 A * 12/1980 Longenecker A21C 11/00 99/353

(72) Inventors: **Felipe A. Rubio,** Guadalupe (MX);
Roberto Contreras, Guadalupe (MX);
Juan Antonio Martinez, Guadalupe (MX)

4,508,025 A * 4/1985 Schultz A47J 37/046 99/353

D280,886 S * 10/1985 England, III D7/368

5,388,503 A * 2/1995 Buerkle A47J 37/044 99/349

(73) Assignee: **INVESTIGACION DE TECNOLOGIA AVANZADA S.A. DE C.V.,** Guadalupe (MX)

D688,514 S * 8/2013 Lin D7/368

8,662,313 B2 * 3/2014 Arevalo A21C 15/00 209/552

* cited by examiner

(**) Term: **14 Years**

Primary Examiner — Terry Wallace

(21) Appl. No.: **29/488,285**

(74) *Attorney, Agent, or Firm* — Young & Thompson

(22) Filed: **Apr. 17, 2014**

(57) **CLAIM**

The ornamental design for a head of a machine for making tortillas, as shown and described.

(30) **Foreign Application Priority Data**

Dec. 11, 2013 (MX) MX/f/2013/003862

DESCRIPTION

(51) **LOC (10) Cl.** **31-00**

(52) **U.S. Cl.**

USPC **D7/368**

(58) **Field of Classification Search**

USPC D7/368, 323, 376, 381; 99/395, 348, 99/423, 353, 349, 372, 427, 448, 443 C;

425/162, 374, 404; 100/229 R, 288

CPC A21C 11/00; A47J 37/046; A47J 37/0611;

A21B 1/36

FIG. 1 is a top, front, and left side perspective view of a head of a machine for making tortillas;

FIG. 2 is a left side elevation view thereof;

FIG. 3 is a front elevation view thereof;

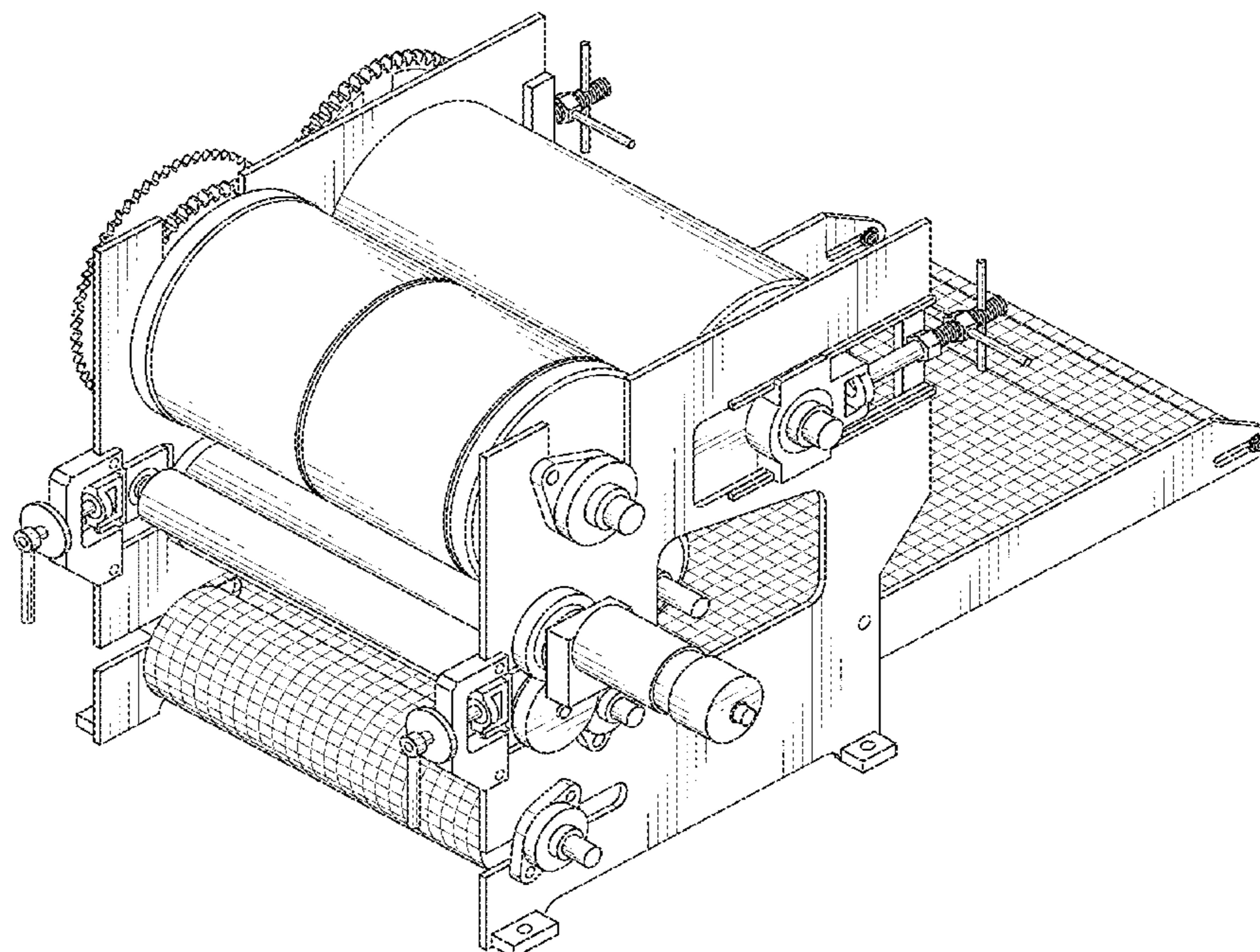
FIG. 4 is a right side elevation view thereof;

FIG. 5 is a top plan view thereof; and,

FIG. 6 is a top, front, and right side perspective view thereof.

See application file for complete search history.

1 Claim, 6 Drawing Sheets



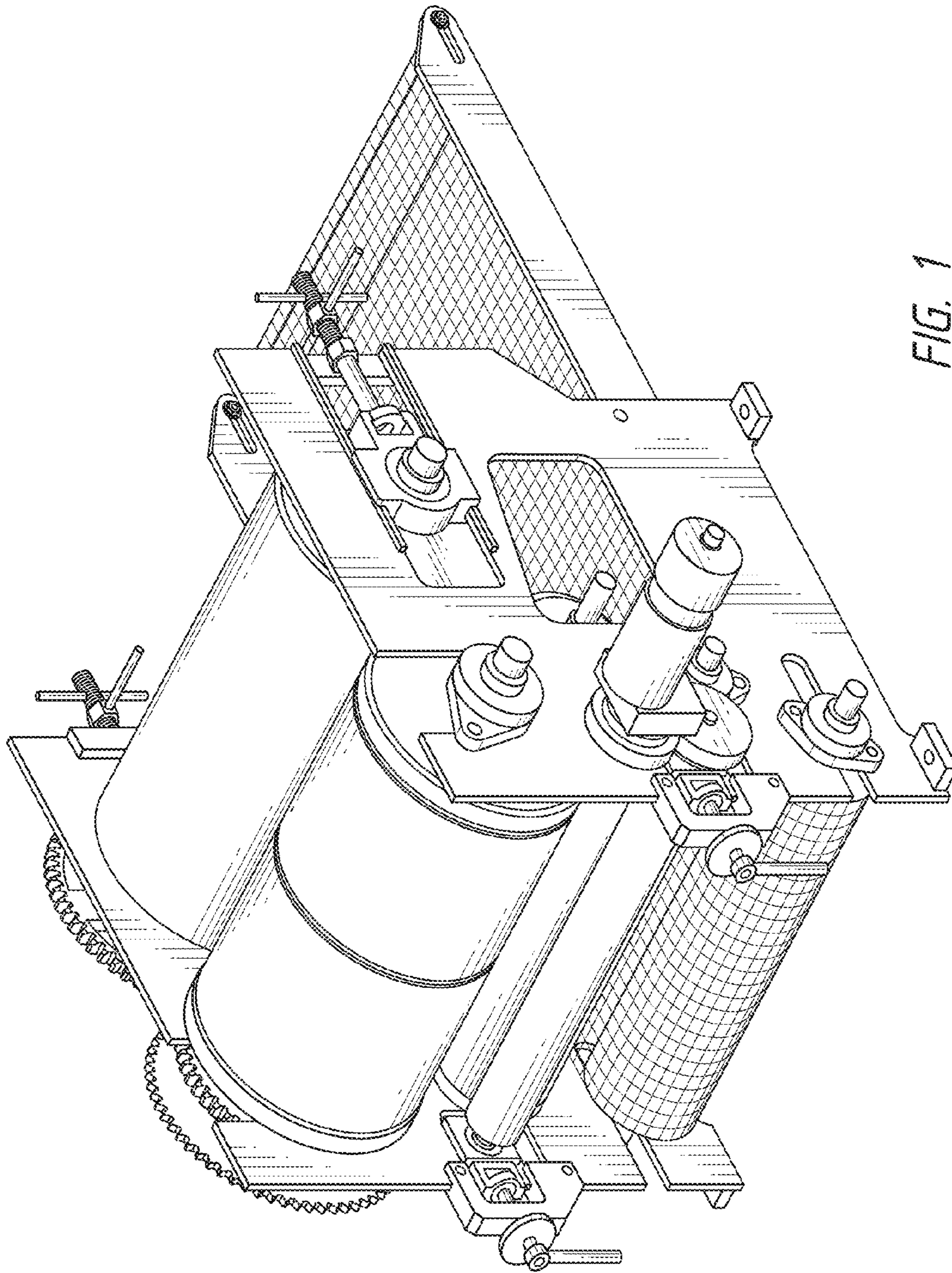


FIG. 1

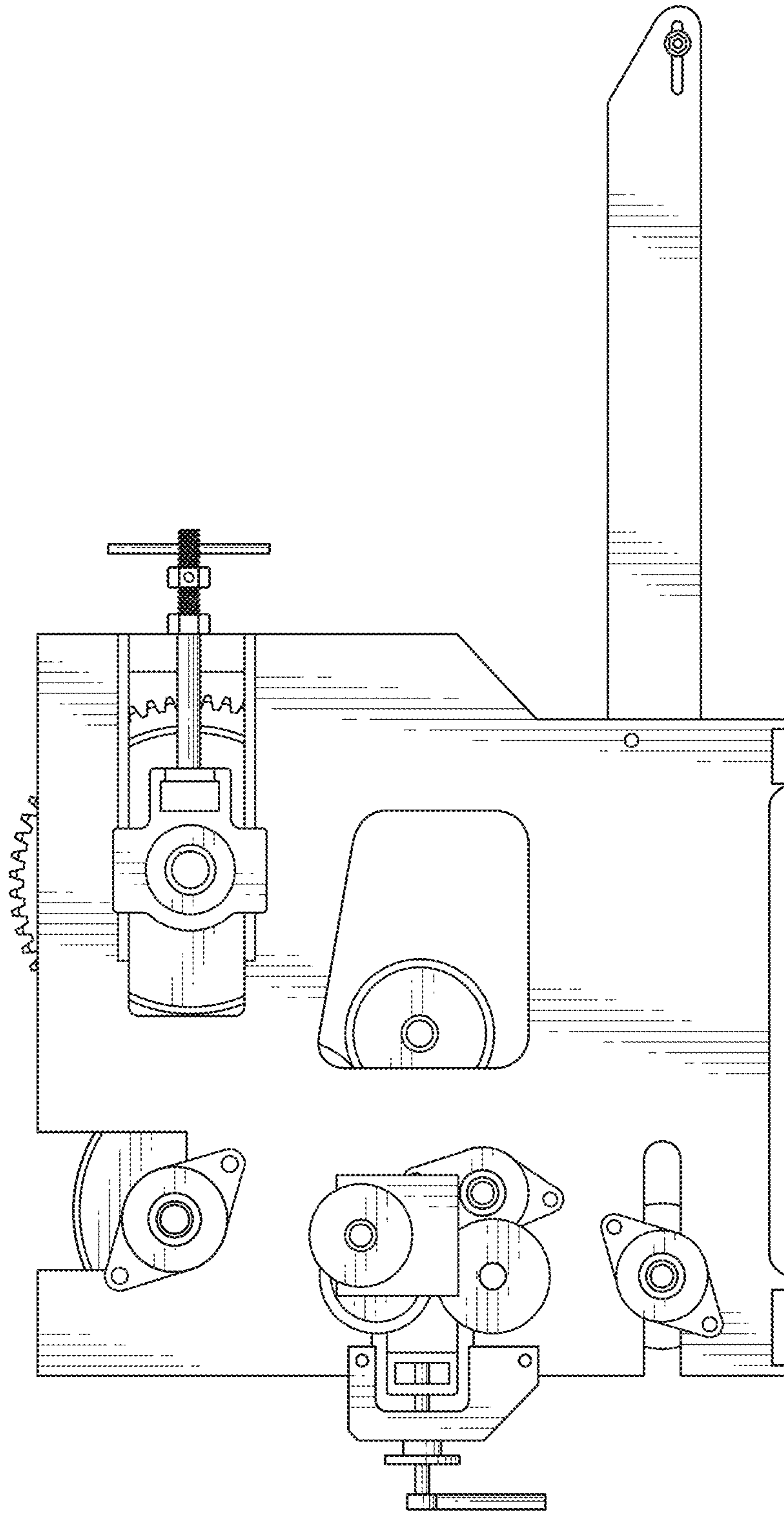


FIG. 2

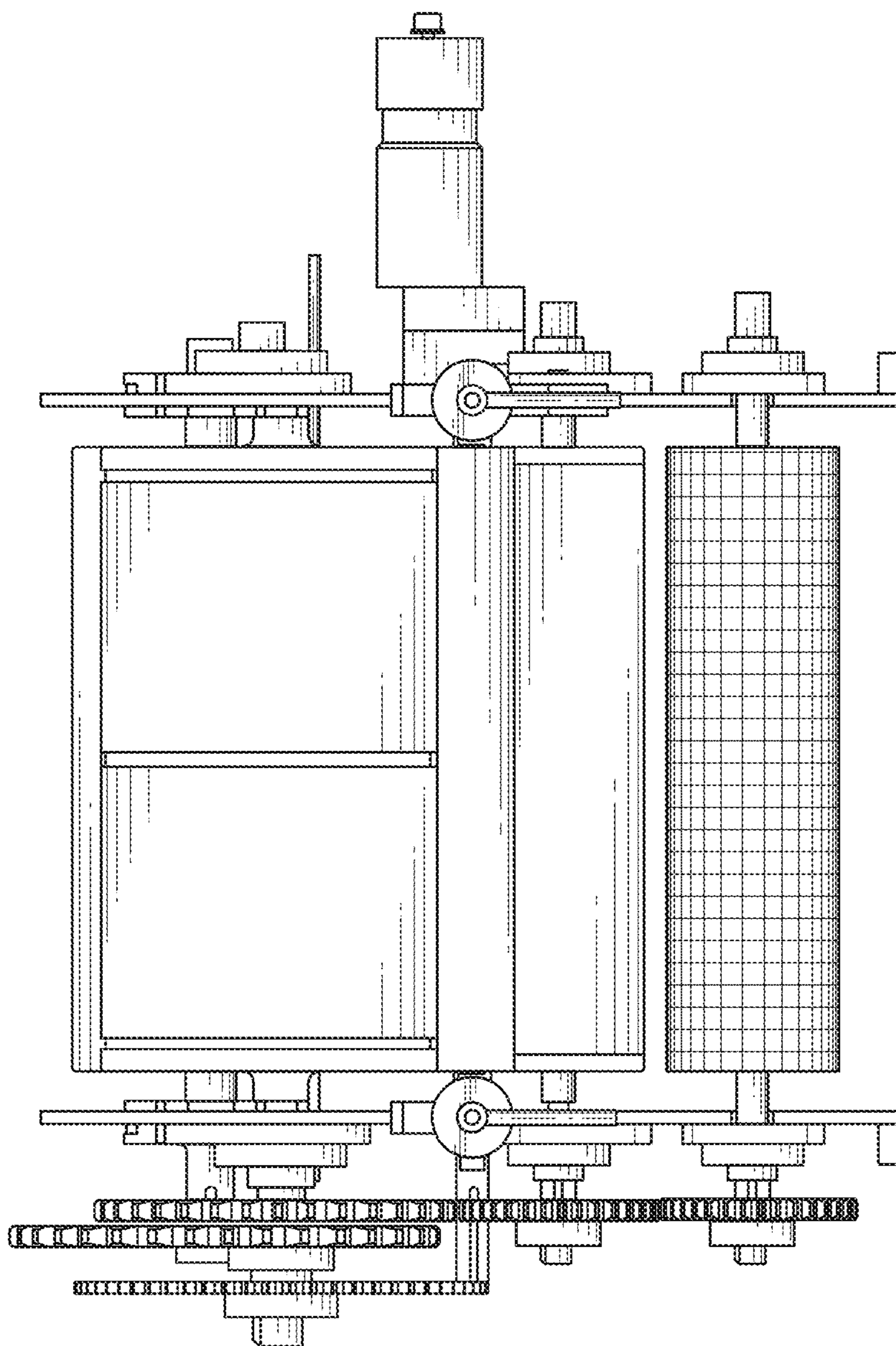


FIG. 3

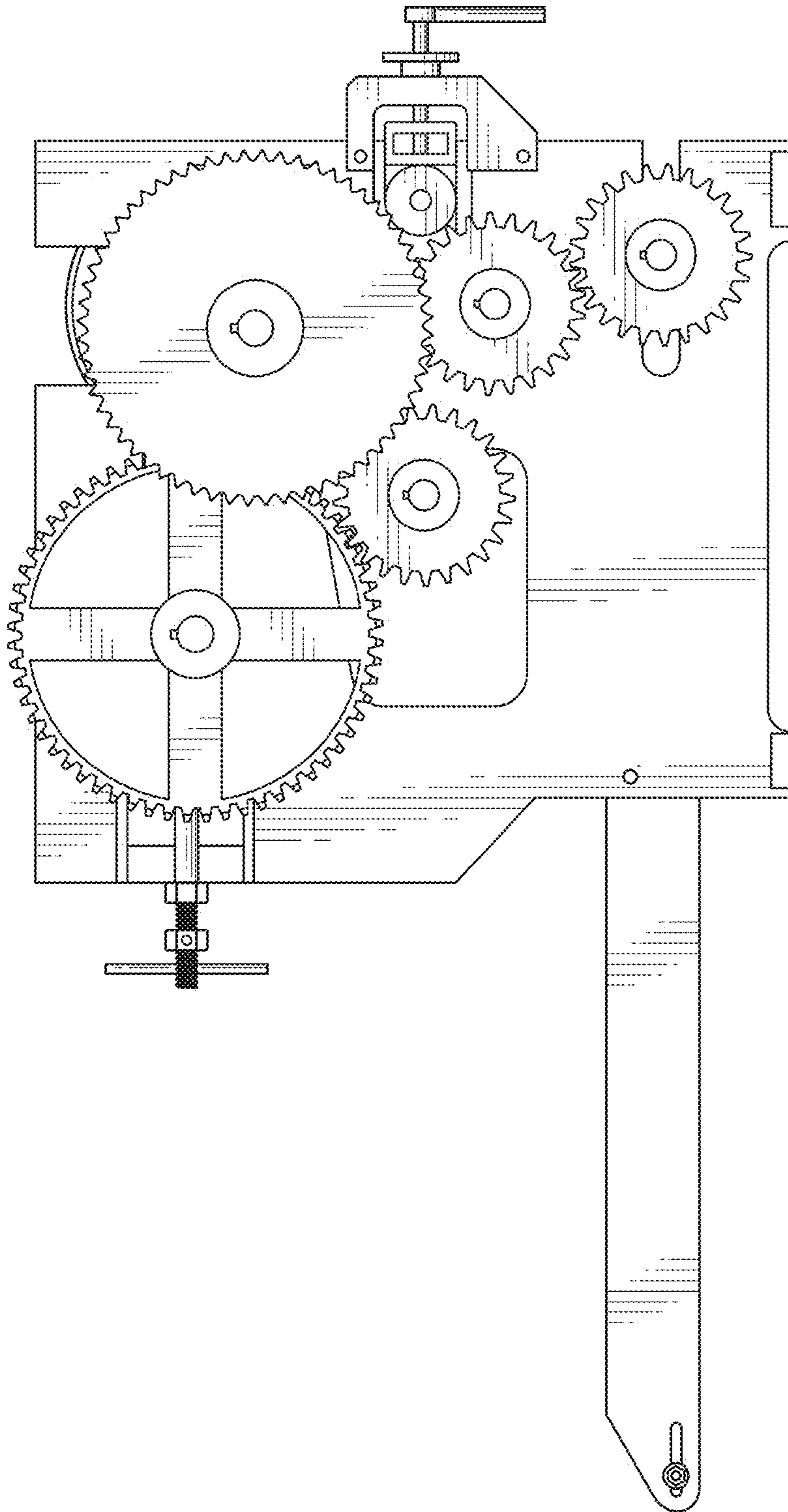


FIG. 4

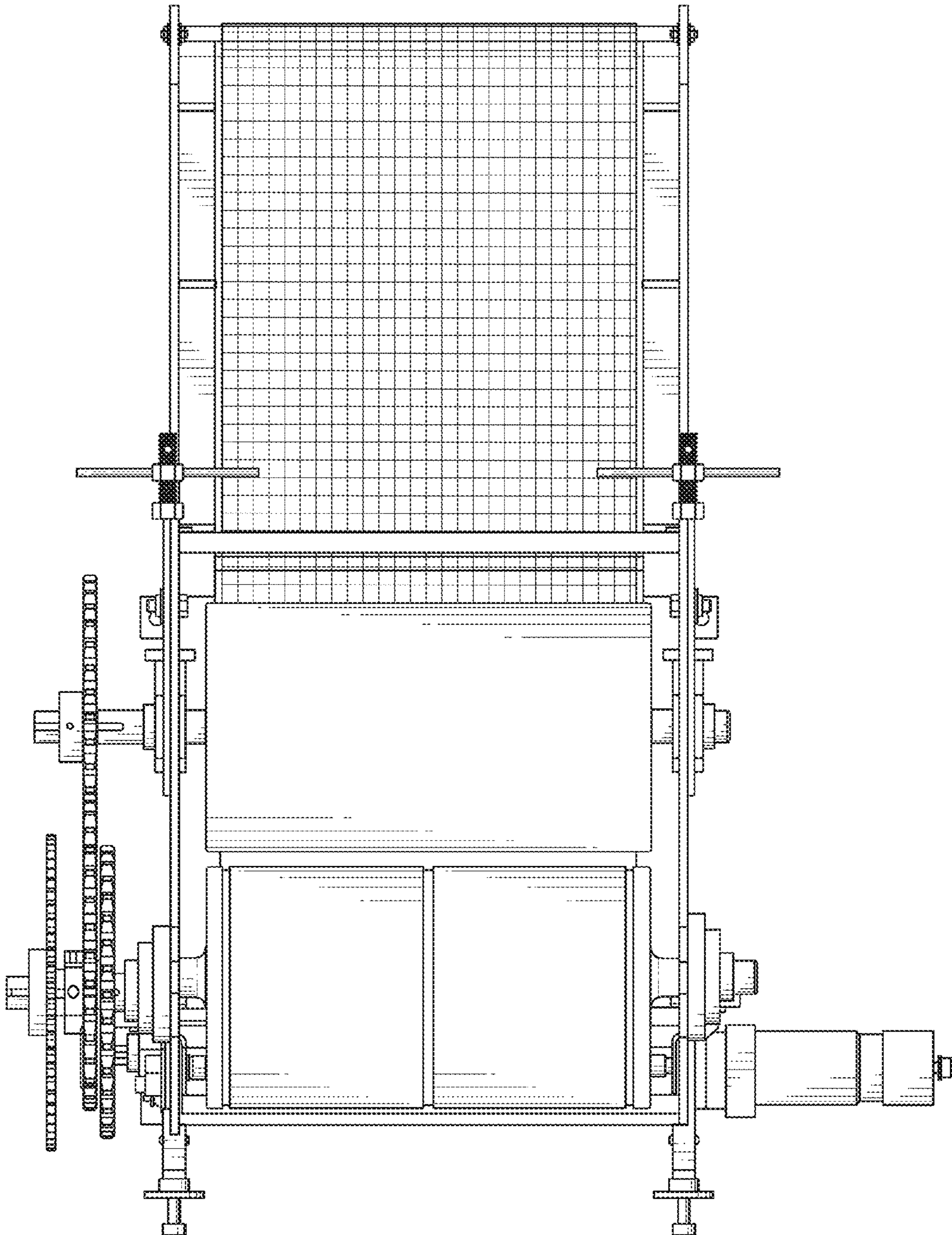


FIG. 5

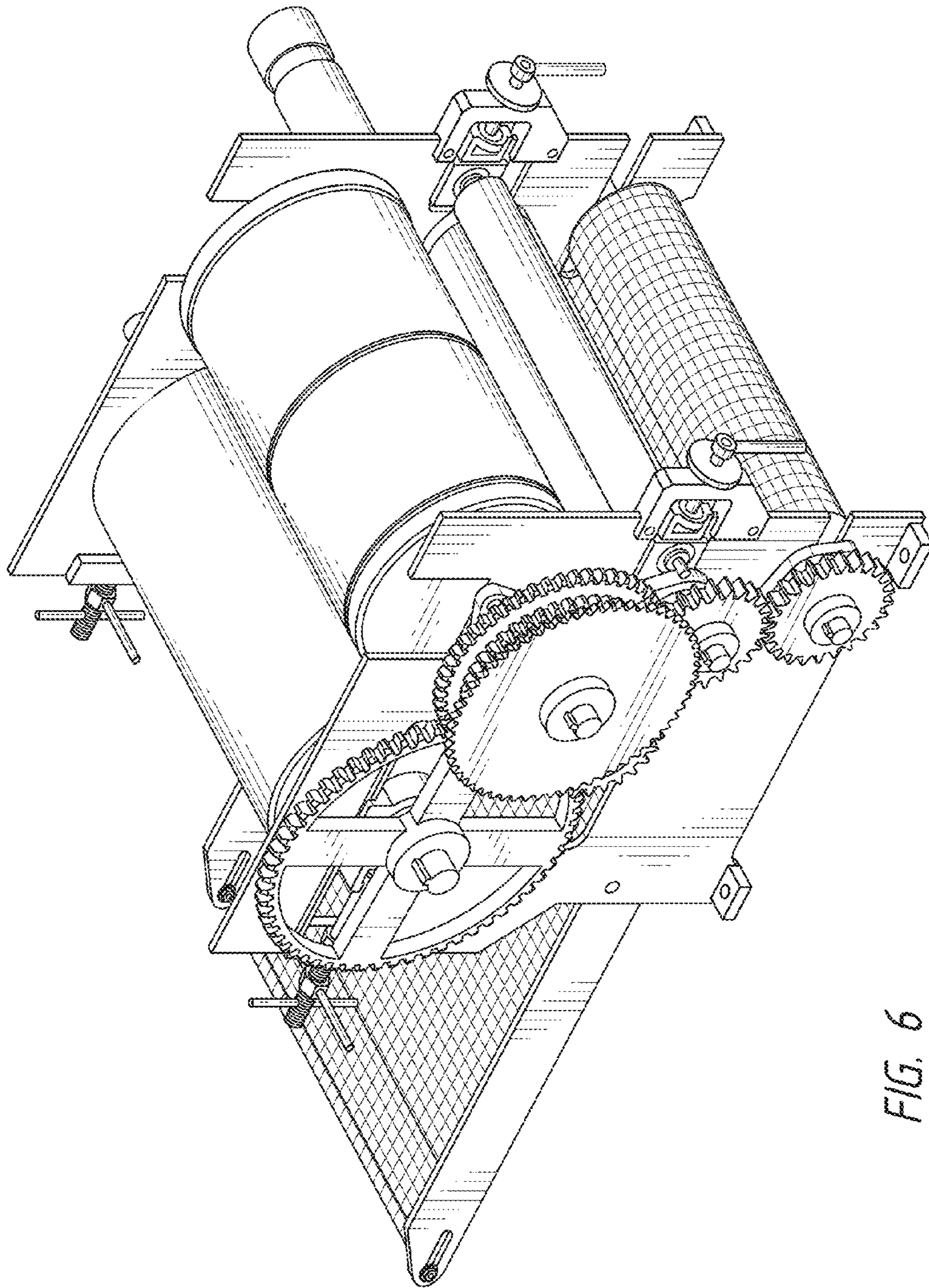


FIG. 6