



US00D744273S

(12) **United States Design Patent**  
**Barrows et al.**

(10) **Patent No.:** **US D744,273 S**  
(45) **Date of Patent:** **\*\* Dec. 1, 2015**

- (54) **FOOD DEHYDRATOR**
- (75) Inventors: **Ryan H. Barrows**, Eau Claire, WI (US);  
**Justun C. Seymour**, Eau Claire, WI (US)
- (73) Assignee: **National Presto Industries, Inc.**, Eau Claire, WI (US)

5,379,527 A *	1/1995	Su	34/197
5,420,393 A	5/1995	Dornbush et al.	
5,423,249 A	6/1995	Meyer	
5,437,108 A	8/1995	Alseth	
5,454,298 A	10/1995	Lu	
5,458,050 A *	10/1995	Su	99/340
D401,468 S *	11/1998	Knoll et al.	D7/323
5,878,508 A	3/1999	Knoll et al.	
5,950,526 A	9/1999	Hsu	

(Continued)

(\*\*) **Term:** **14 Years**

**OTHER PUBLICATIONS**

- (21) Appl. No.: **29/424,230**
- (22) Filed: **Jun. 8, 2012**
- (51) **LOC (10) Cl.** ..... **07-02**
- (52) **U.S. Cl.**  
USPC ..... **D7/323; D7/368**
- (58) **Field of Classification Search**  
USPC ..... D7/323, 324, 347, 350.1, 350.3, 350.4,  
D7/357, 362, 368, 402, 412; 34/192,  
34/196 M, 197, 201, 417, 493; 99/416,  
99/417, 467, 476, 483, 484, 473;  
126/19 M, 21 R, 21 A, 275 R, 275 E;  
219/385, 386, 387, 400, 401, 405  
See application file for complete search history.

Application and File history for U.S. Appl. No. 13/492,163, filed Jun. 8, 2012. Inventor: Barrows.

*Primary Examiner* — Martie K Holtje  
(74) *Attorney, Agent, or Firm* — Patterson Thunte Pedersen, P.A.

(56) **References Cited**

**U.S. PATENT DOCUMENTS**

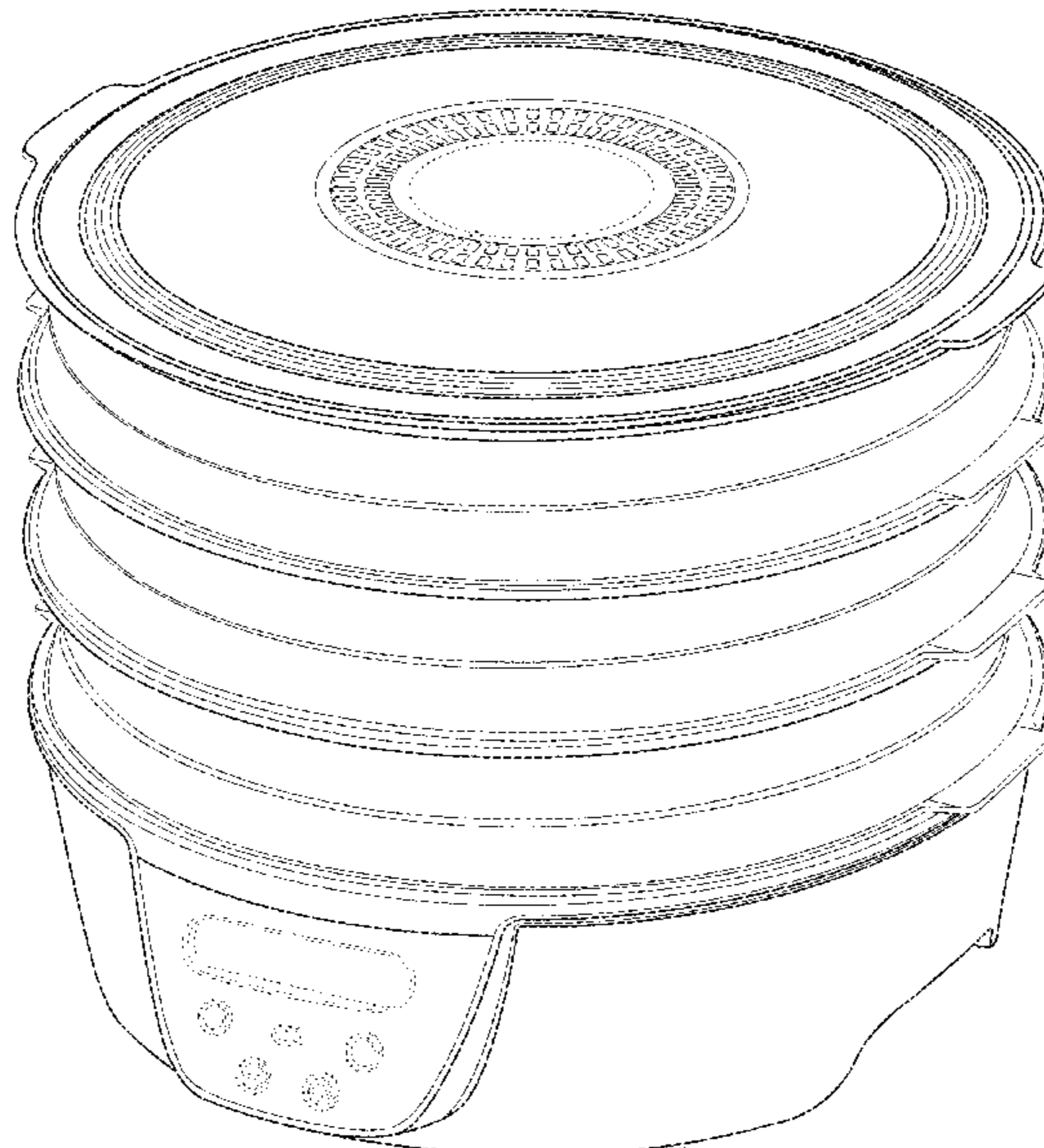
1,413,908 A	4/1922	Green	
4,036,562 A	7/1977	Barnes	
4,190,965 A *	3/1980	Erickson	34/196
4,236,063 A	11/1980	Glucksman	
D261,142 S	10/1981	Erickson et al.	
4,380,127 A	4/1983	Roberts	
4,457,432 A	7/1984	Solheim	
4,536,643 A *	8/1985	Erickson	219/400
5,215,004 A *	6/1993	Su	99/483
5,235,906 A *	8/1993	Hsu	99/483
5,261,168 A *	11/1993	Li	34/197
5,311,673 A	5/1994	Su	

(57) **CLAIM**  
We claim the ornamental design for food dehydrator, as shown and described.

**DESCRIPTION**

FIG. 1 is a front elevational view of a food dehydrator showing our new design;  
FIG. 2 is a front elevational view thereof in a storage configuration;  
FIG. 3 is a right side elevational view of FIG. 2;  
FIG. 4 is a right side elevational view of FIG. 1;  
FIG. 5 is a top plan view of FIG. 1;  
FIG. 6 is a rear elevational view of FIG. 1;  
FIG. 7 is a right front, perspective view of FIG. 1;  
FIG. 8 is a bottom plan view of FIG. 1; and,  
FIG. 9 is a right front, perspective view of the FIG. 1 with a cover removed.  
Items shown in broken lines are for illustrative purposes only and form no part of the claimed invention.

**1 Claim, 9 Drawing Sheets**



(56)

**References Cited**

U.S. PATENT DOCUMENTS

6,041,696 A *	3/2000	Su .....	99/483	7,159,510 B2	1/2007	LaMaster et al.
6,085,442 A	7/2000	Erickson		8,684,661 B2	4/2014	Horng et al.
D445,295 S *	7/2001	Su .....	D7/323	2007/0102386 A1	5/2007	Killinger et al.
				2009/0321410 A1	12/2009	Moon
				2013/0326902 A1	12/2013	Barrows

\* cited by examiner

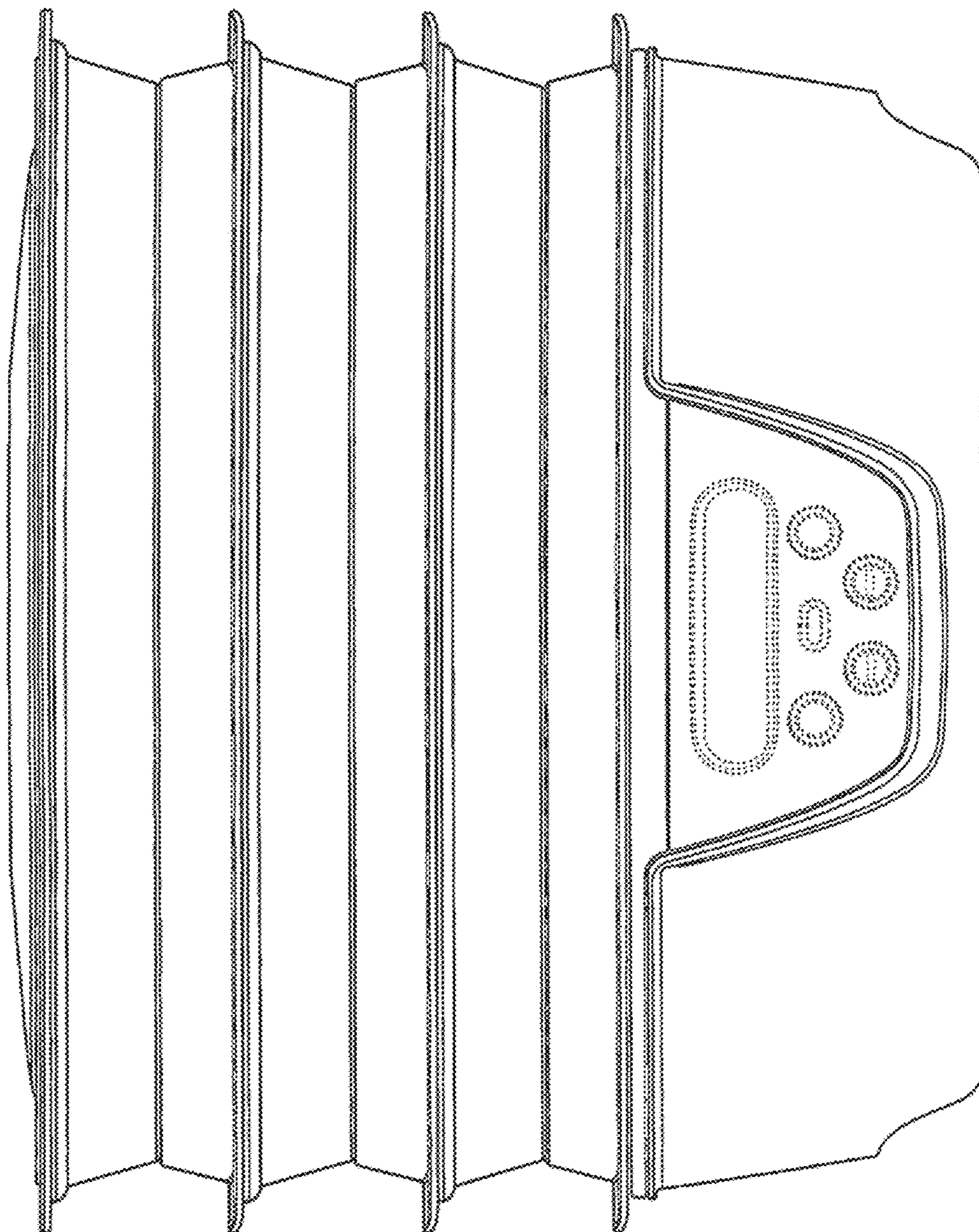


Fig.1

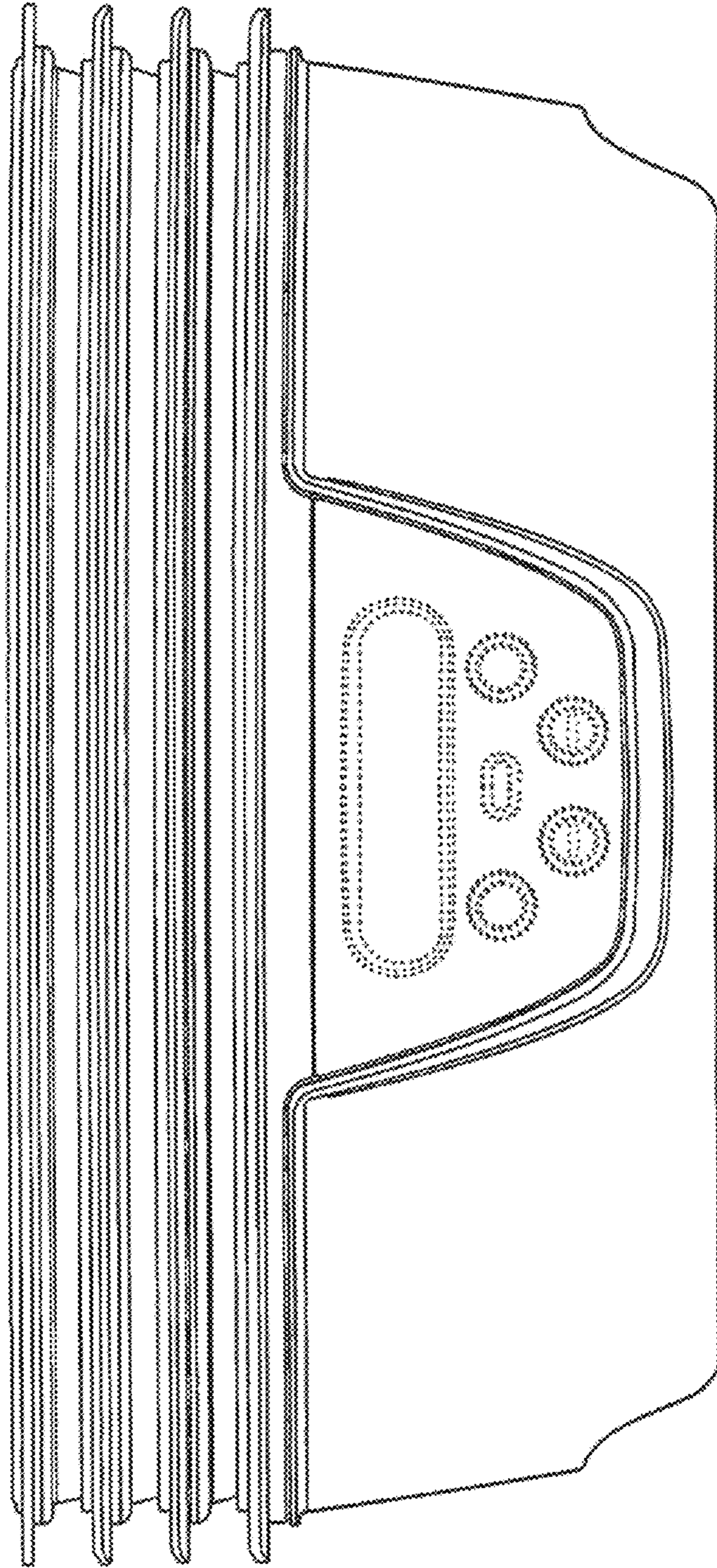


Fig.2

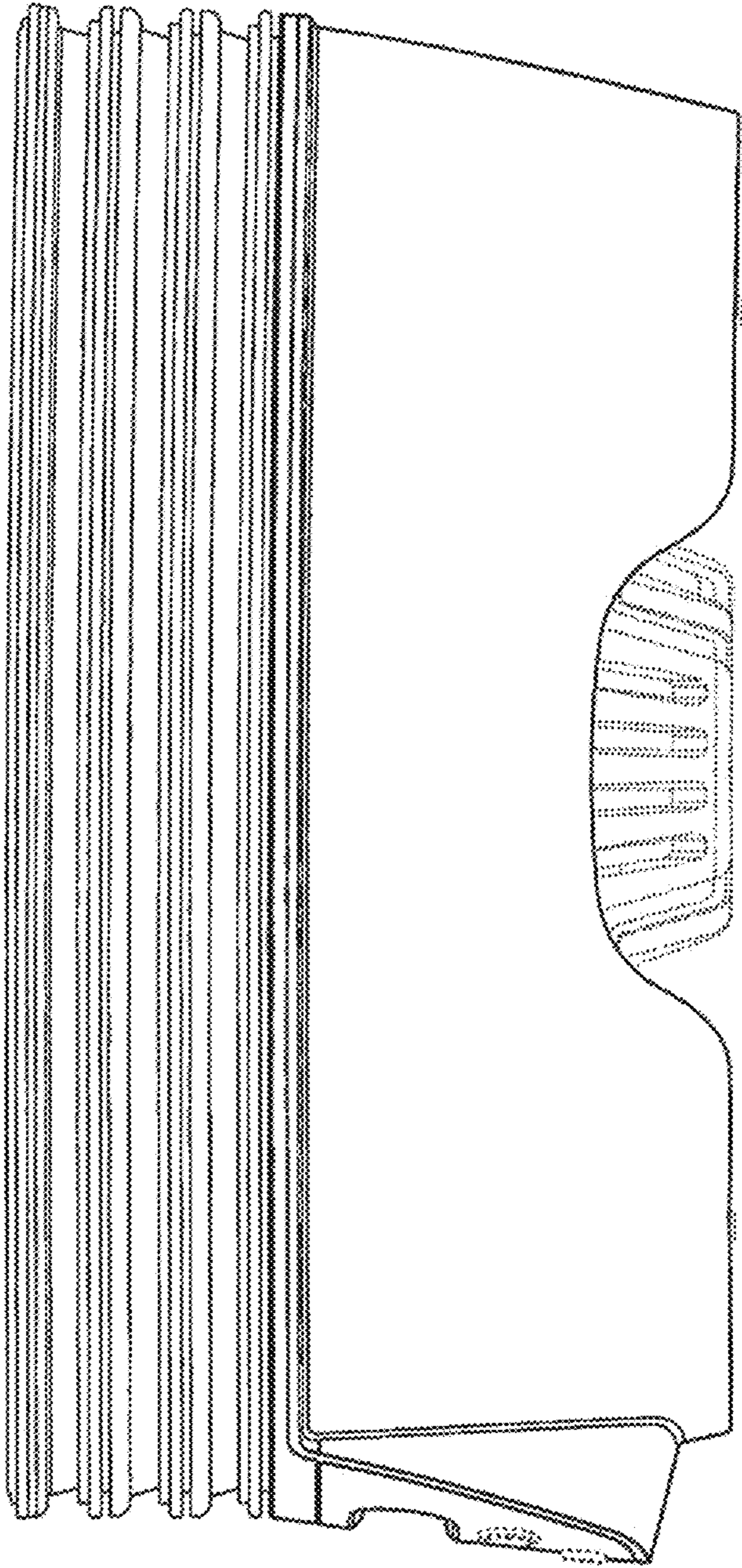


FIG.3

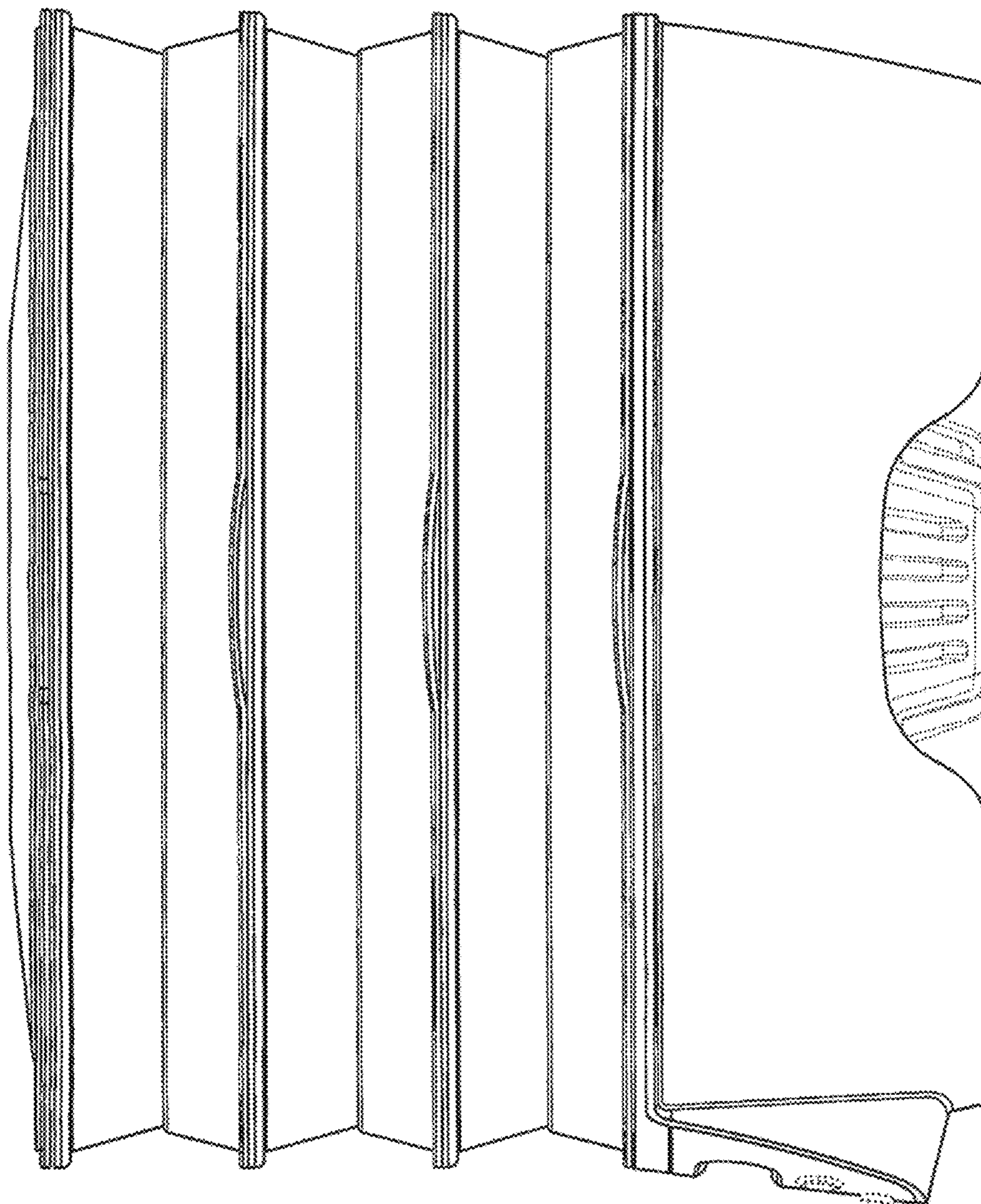


Fig.4

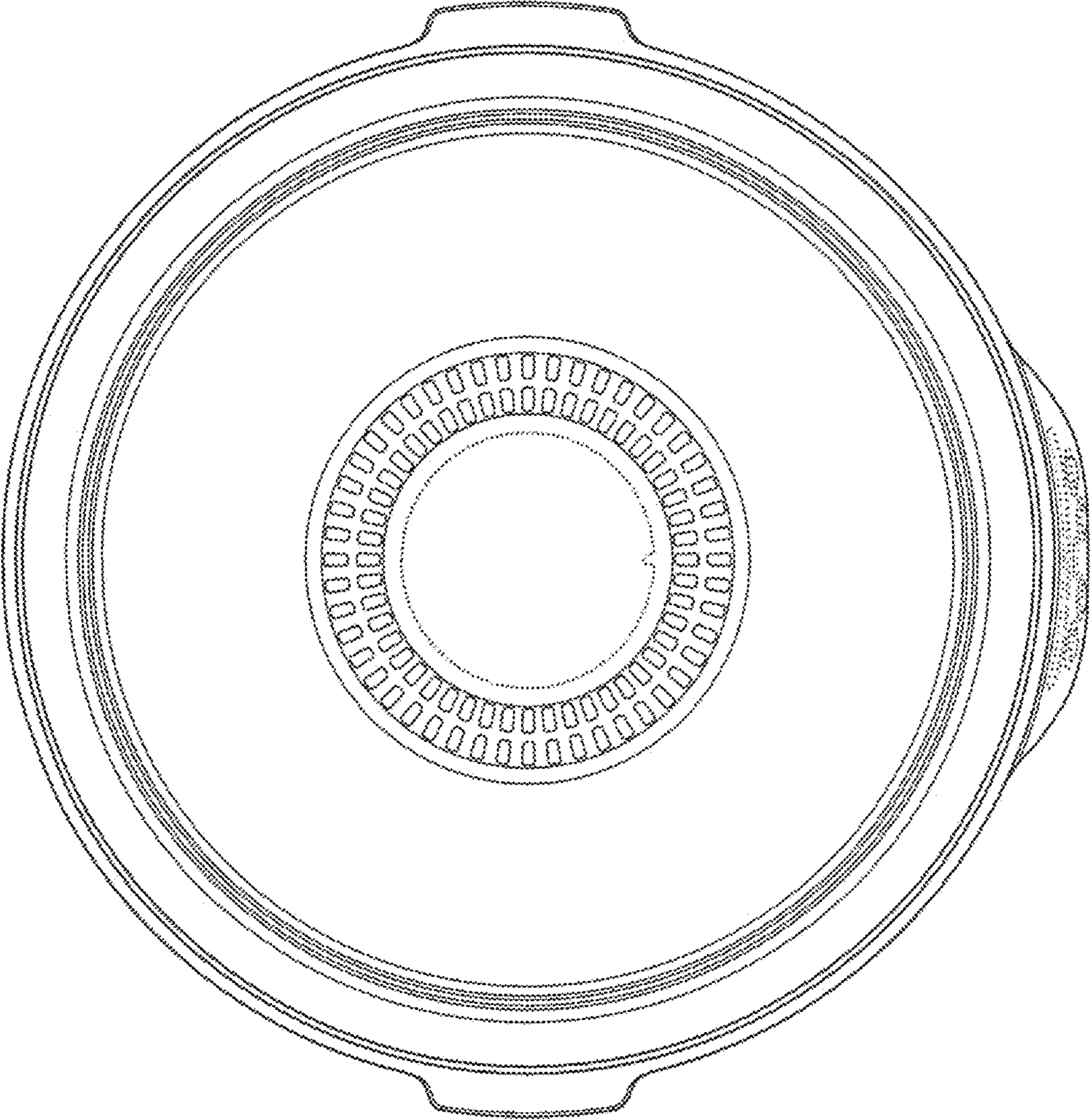


Fig.5

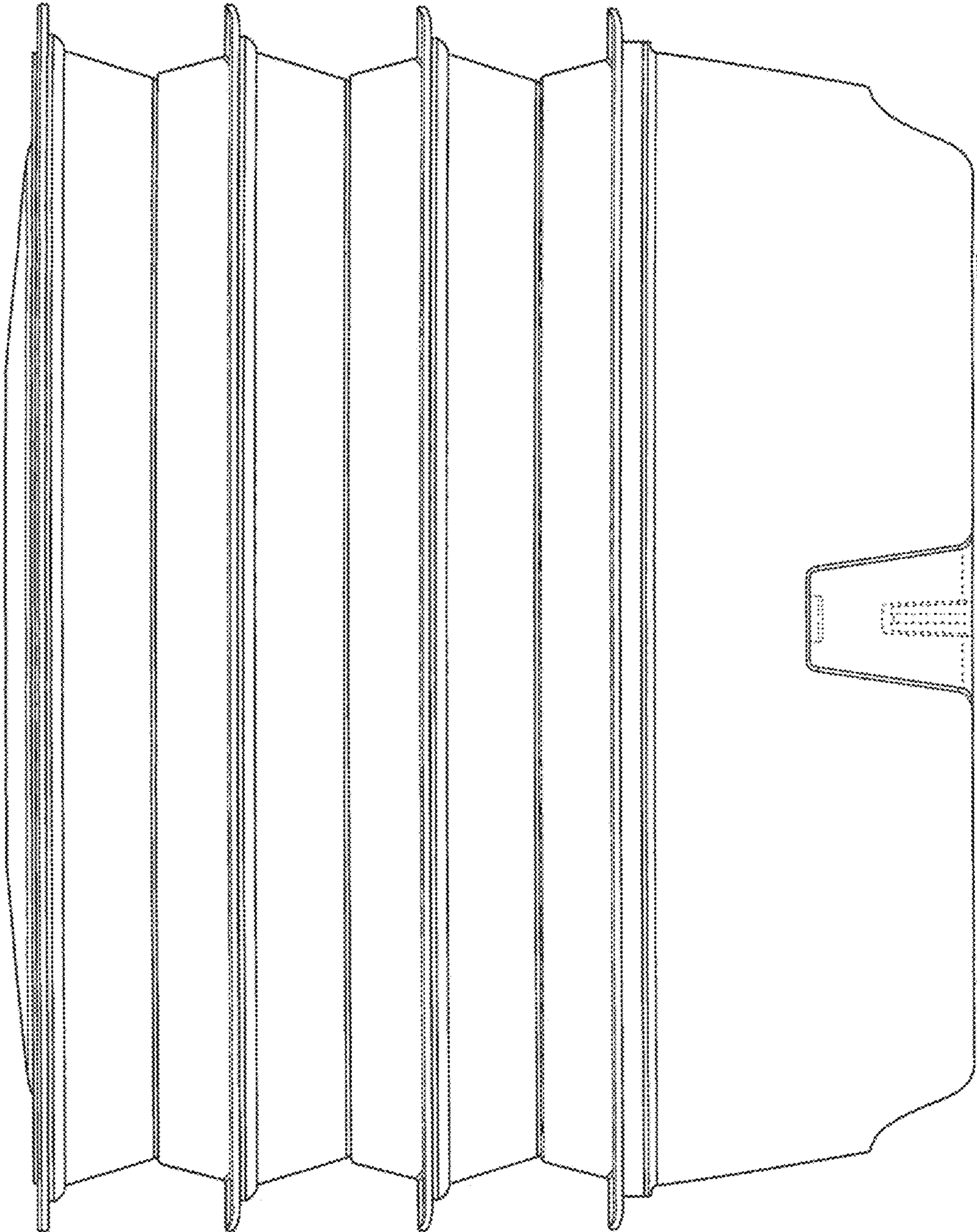


Fig.6



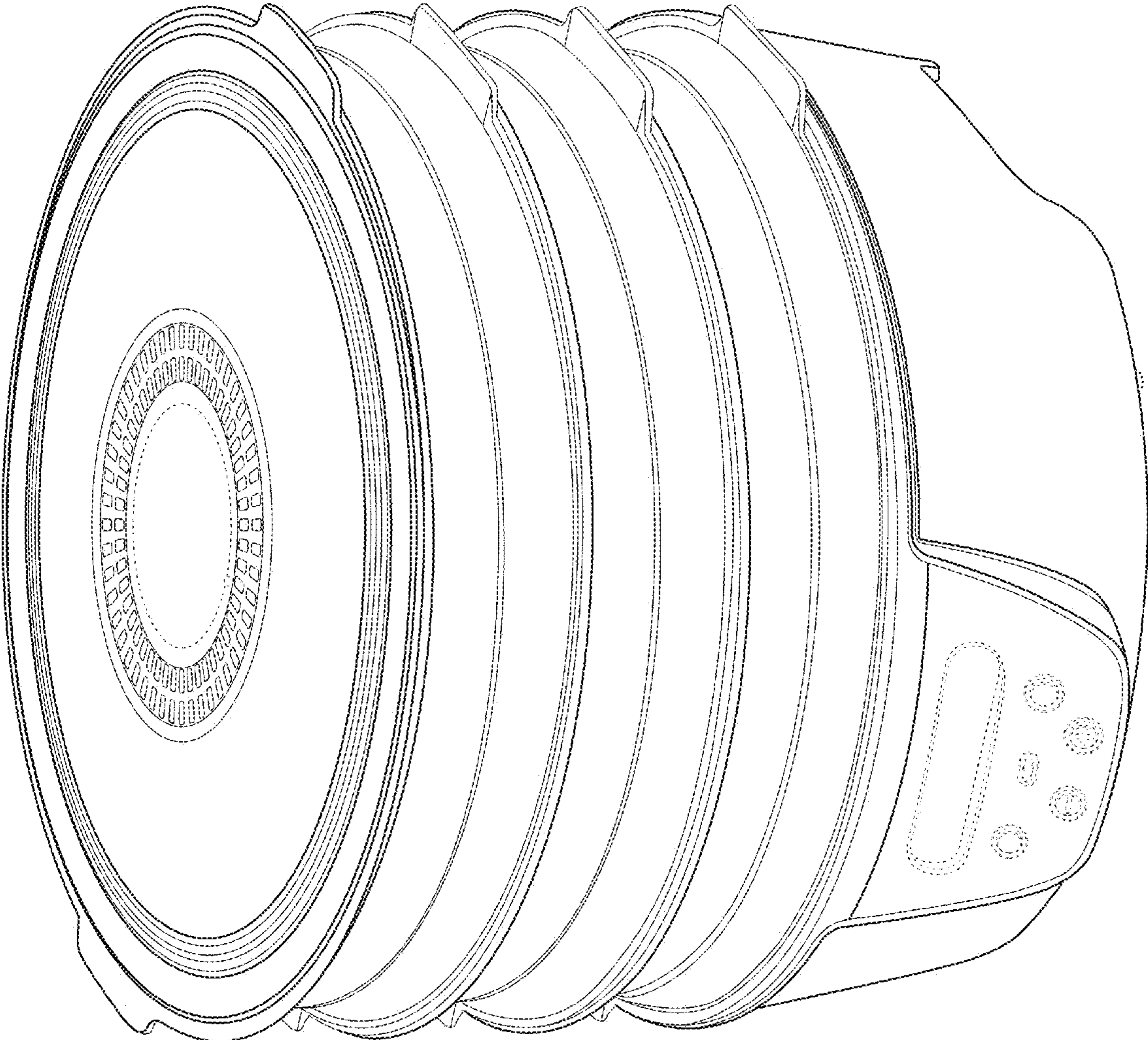


Fig.7

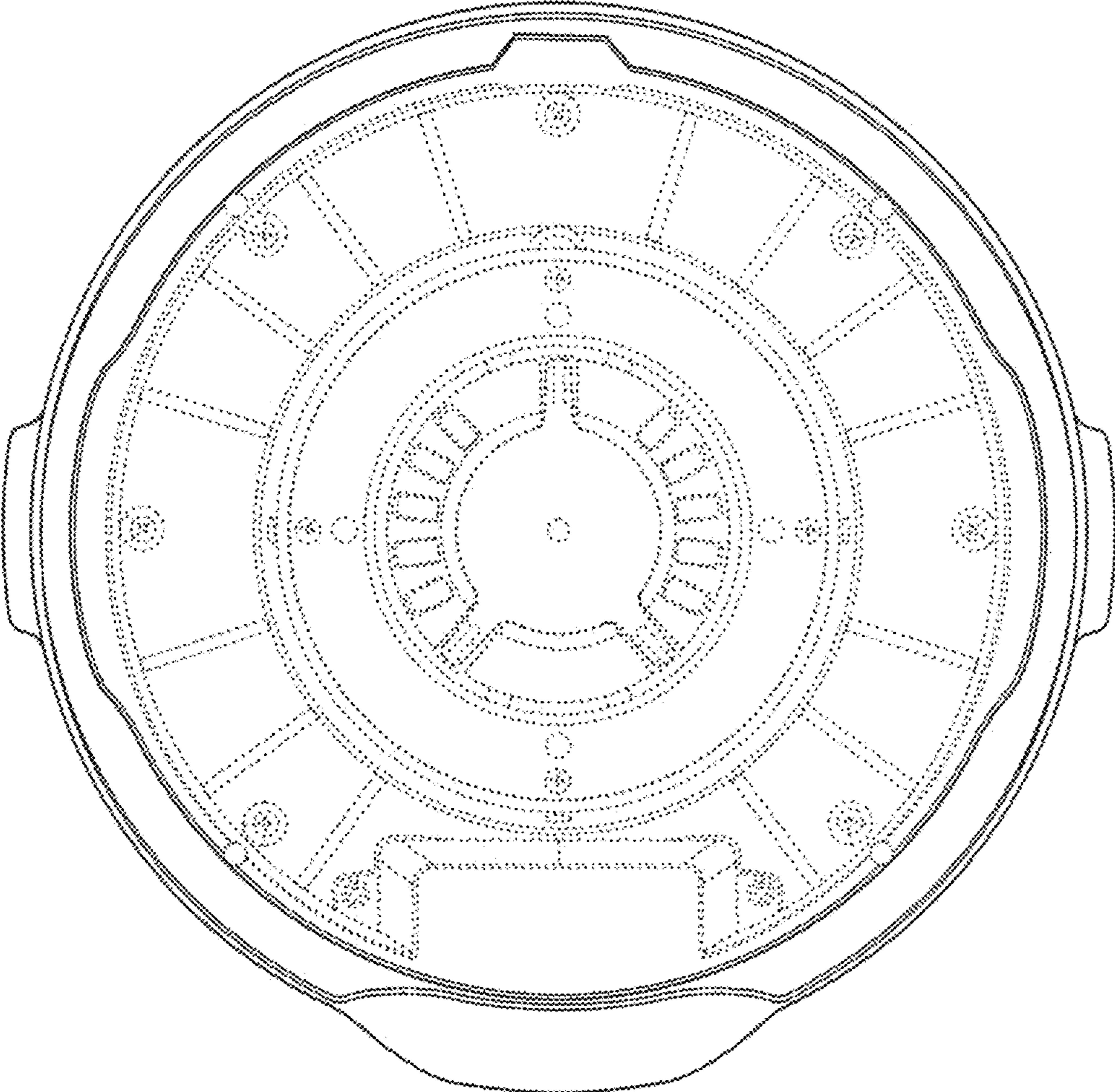


Fig.8

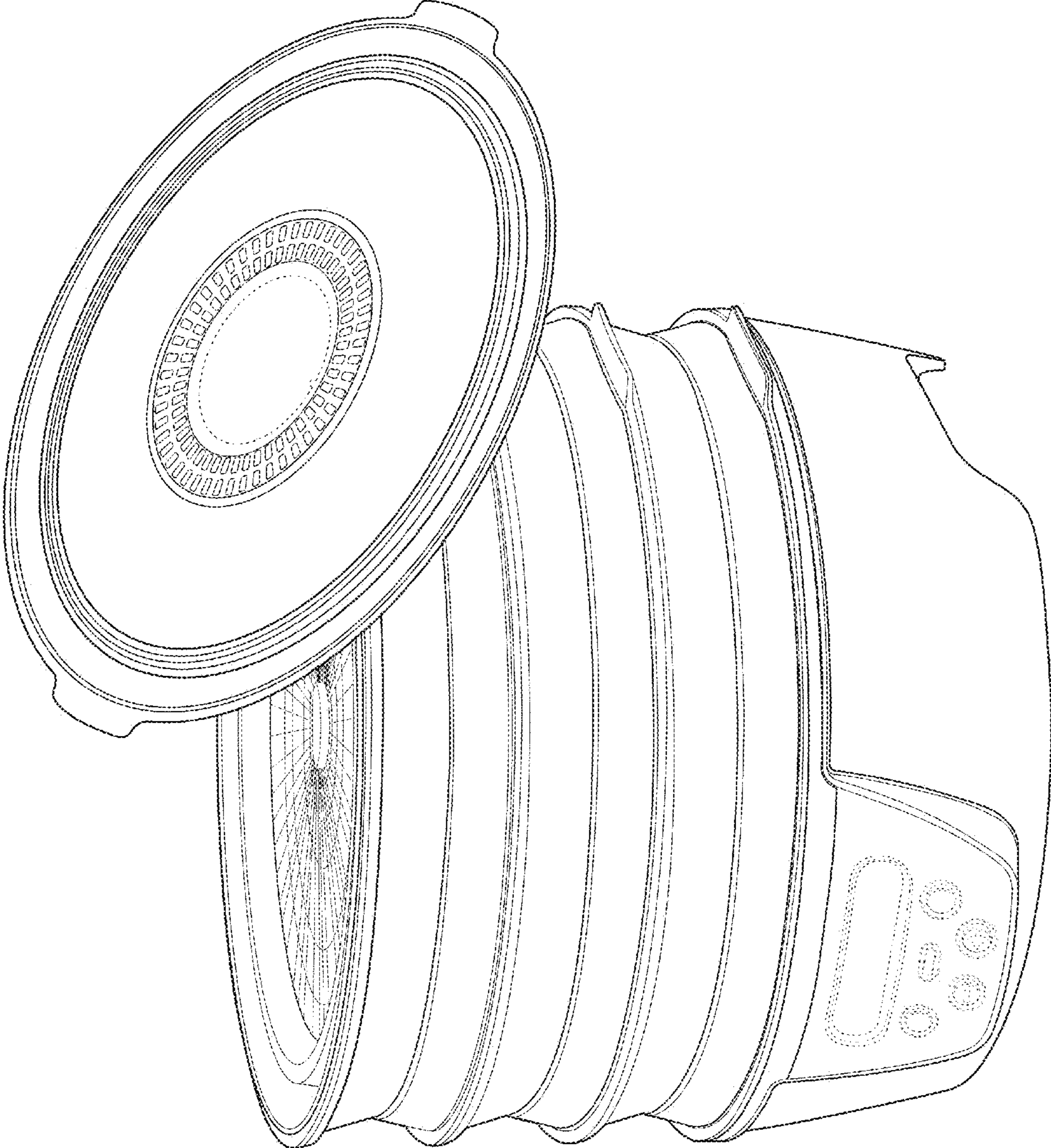


Fig.9