



US00D744271S

(12) **United States Design Patent**
Francis

(10) **Patent No.:** **US D744,271 S**
(45) **Date of Patent:** **** Dec. 1, 2015**

(54) **FRAME FOR A BLEACHER**
(71) Applicant: **biljax inc.**, Archbold, OH (US)
(72) Inventor: **Einstein B. Francis**, Archbold, OH (US)
(73) Assignee: **biljax, inc.**, Archbold, OH (US)
(**) Term: **14 Years**
(21) Appl. No.: **29/484,405**

| | | | | |
|--------------|------|---------|---------------|---------|
| 4,011,695 | A * | 3/1977 | Simmons, Sr. | 52/8 |
| 4,571,895 | A * | 2/1986 | Lyman, Jr. | 52/9 |
| 4,611,439 | A * | 9/1986 | Graham, Jr. | 52/9 |
| 4,862,650 | A * | 9/1989 | Brasil | 52/9 |
| 4,979,340 | A * | 12/1990 | Wilson et al. | 52/9 |
| 5,784,835 | A * | 7/1998 | McArthur, Jr. | 52/9 |
| 6,185,875 | B1 * | 2/2001 | Victor et al. | 52/9 |
| 6,539,672 | B1 * | 4/2003 | Frost | 52/9 |
| 6,592,187 | B2 * | 7/2003 | Calvery | 297/352 |
| 6,854,216 | B2 * | 2/2005 | Ahrens et al. | 52/9 |
| 7,267,403 | B2 | 9/2007 | Conner | |
| 7,617,635 | B2 * | 11/2009 | Jacobs et al. | 52/8 |
| 7,722,117 | B2 | 5/2010 | Jones | |
| 2012/0117781 | A1 | 5/2012 | Jones | |

(22) Filed: **Mar. 10, 2014**
(51) **LOC (10) Cl.** **06-01**
(52) **U.S. Cl.**
USPC **D6/717**
(58) **Field of Classification Search**
USPC D6/334-336, 368-381, 716,
D6/716.1-716.4, 717
CPC A47B 39/00; A47C 1/126; A47C 4/02;
A47C 4/03; A47C 5/06; A47C 5/12; A47C
7/16; A47C 11/00; A47C 15/002; E04H 3/12;
E04H 3/123; E04H 3/126
See application file for complete search history.

* cited by examiner

Primary Examiner — Ricky Pham
(74) *Attorney, Agent, or Firm* — Emch, Schaffer, Schaub & Porcello Co., LPA

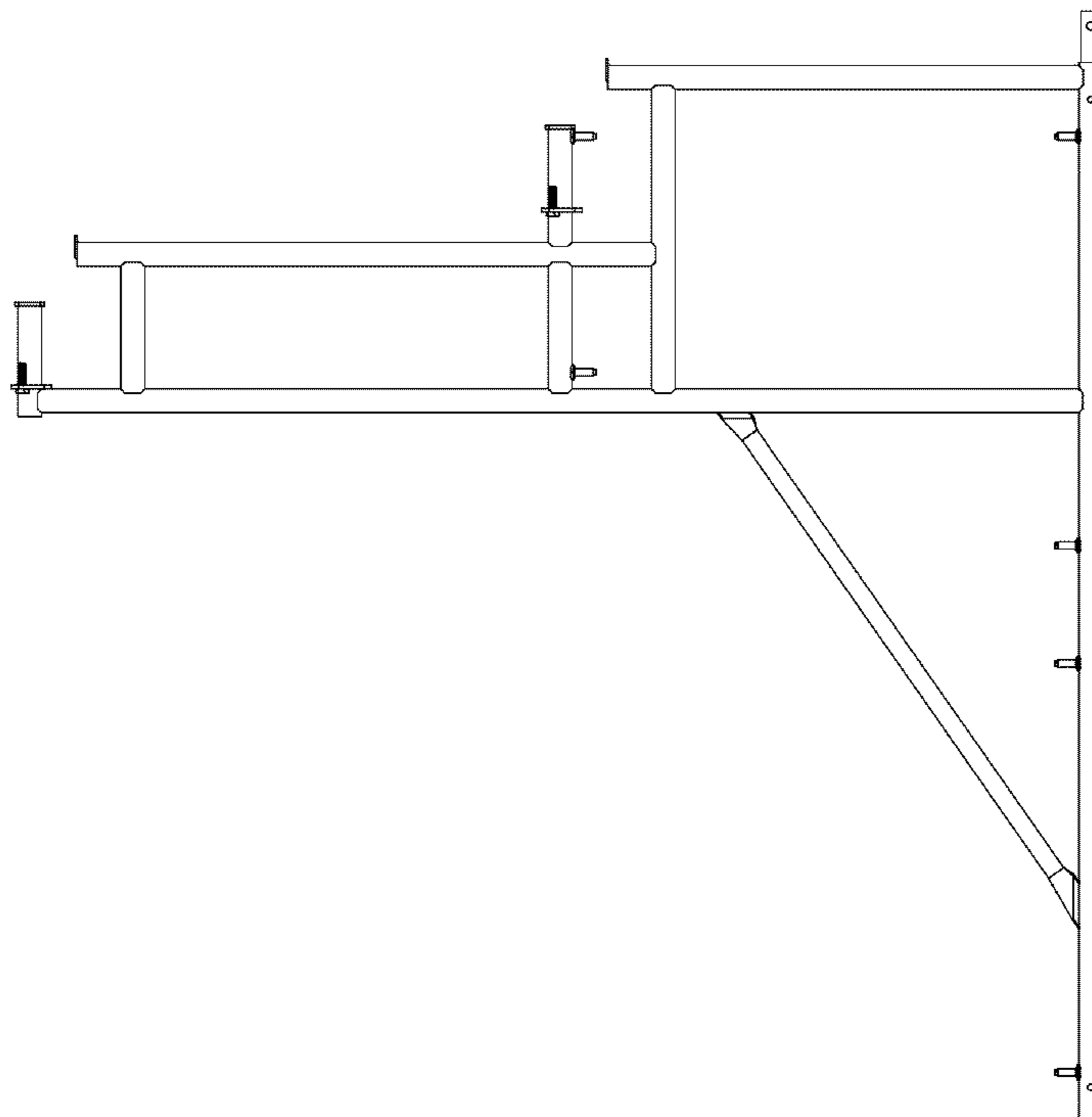
(57) **CLAIM**
The ornamental design for a frame for a bleacher, as shown and described.

DESCRIPTION

FIG. 1 is a side view of a frame for a bleacher in accordance with the invention;
FIG. 2 is a top view thereof;
FIG. 3 is a side view of a frame for a bleacher;
FIG. 4 is a top of the view of FIG. 3;
FIG. 5 is a partial view of a portion of the frame; and,
FIG. 6 is a partial view of a portion of the frame.

(56) **References Cited**
U.S. PATENT DOCUMENTS
2,817,389 A * 12/1957 Richards 52/8
2,985,924 A 5/1961 Burke
4,006,564 A * 2/1977 Wiese 52/9

1 Claim, 6 Drawing Sheets



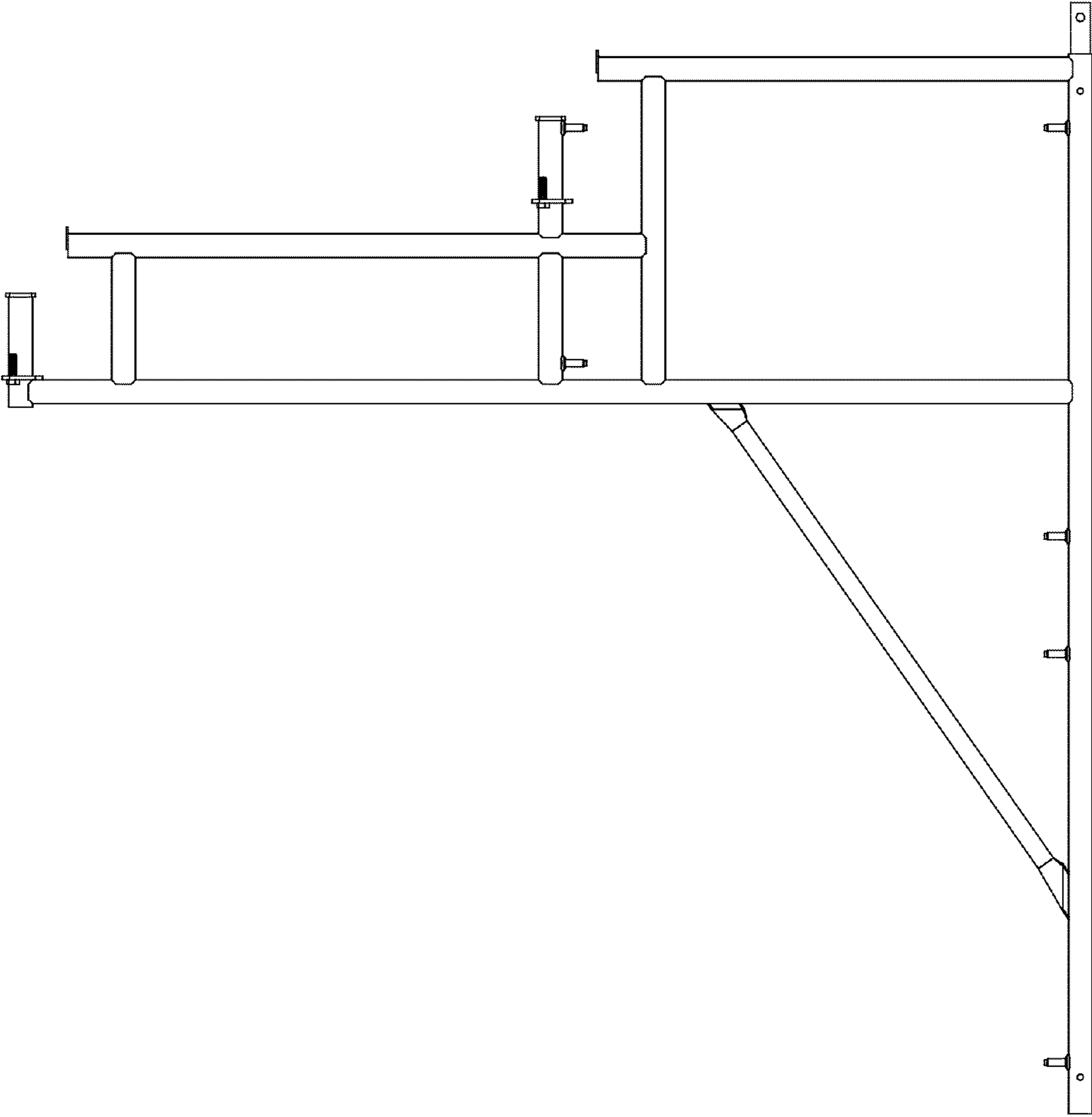


FIG 1

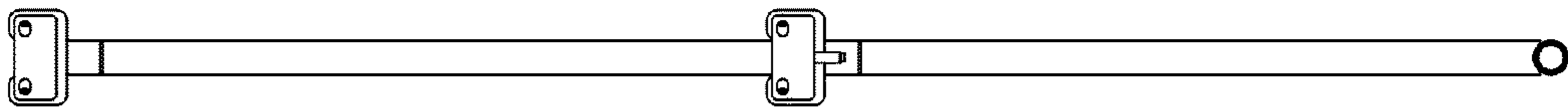


FIG 2

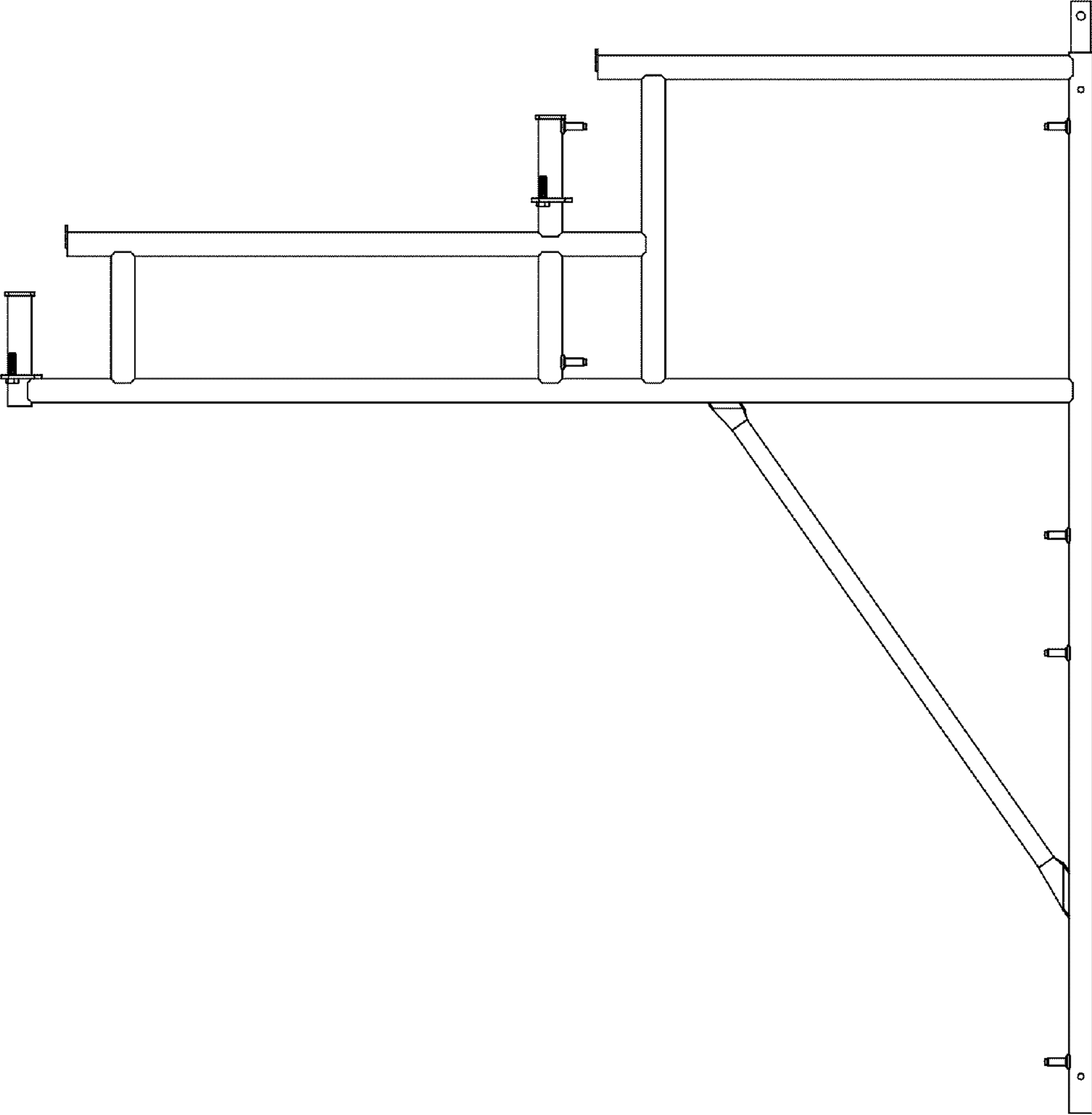


FIG 3

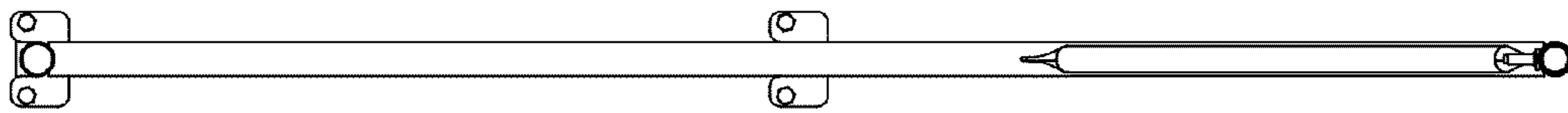


FIG 4

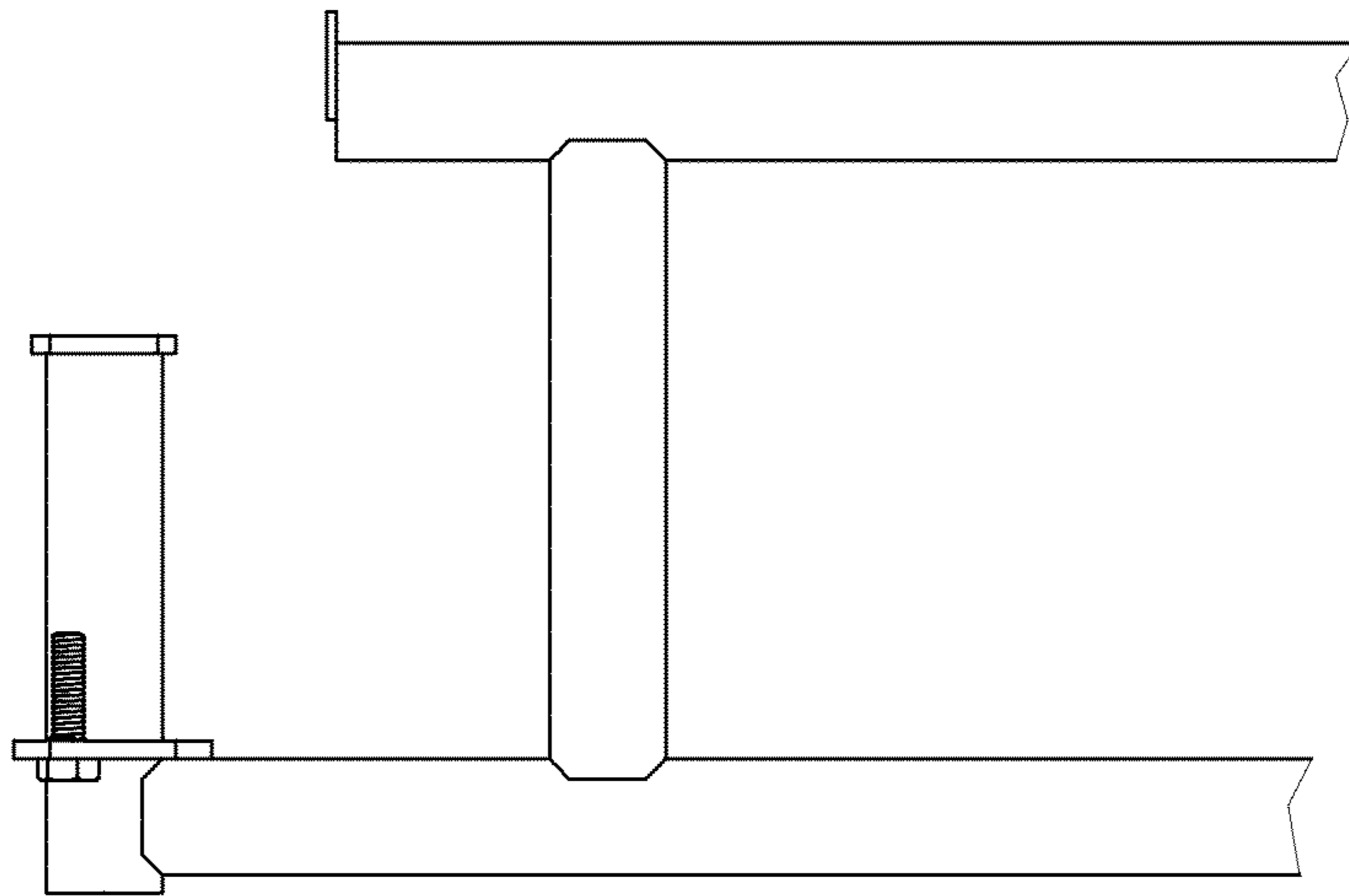


FIG 5

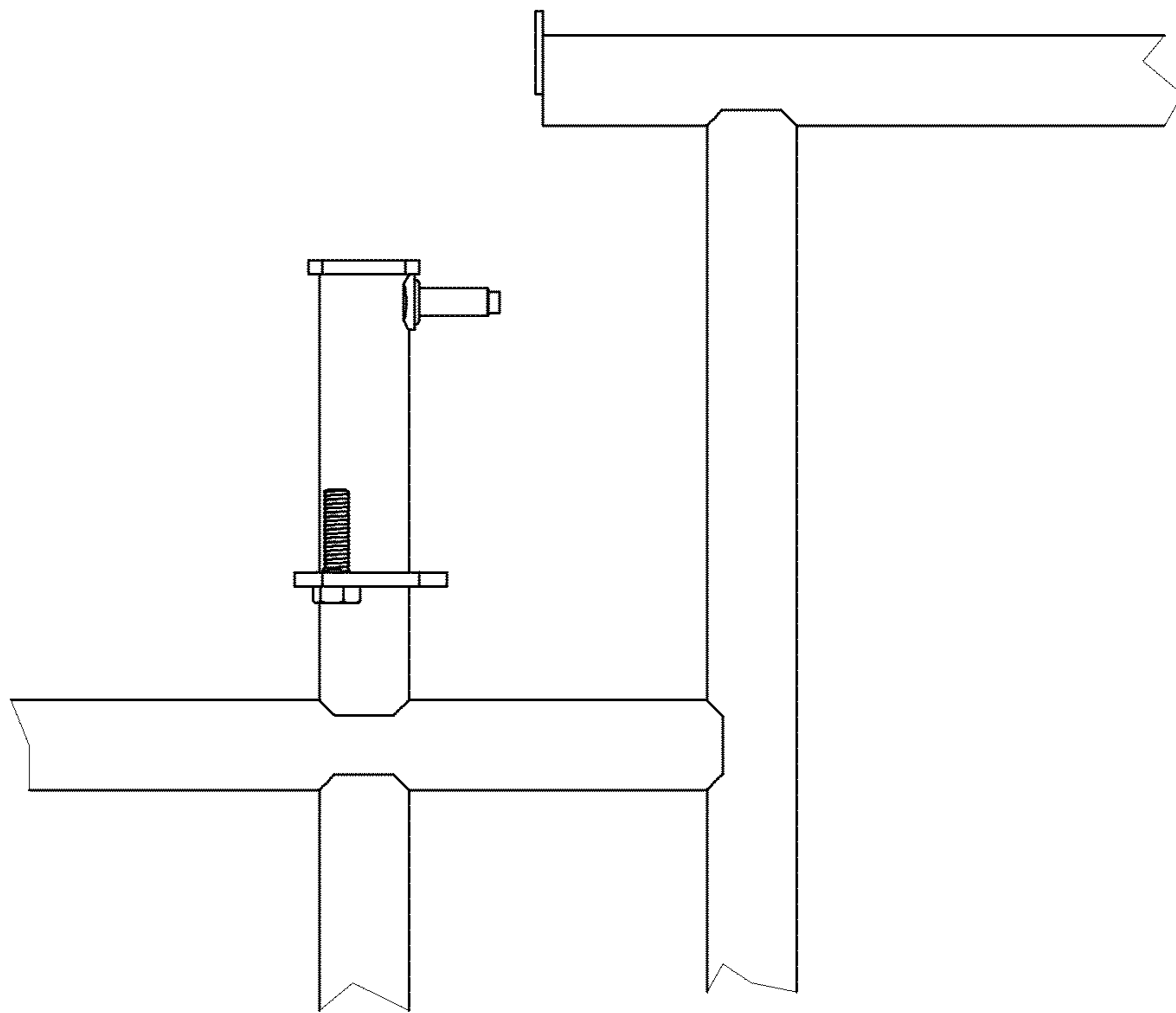


FIG 6

UNITED STATES PATENT AND TRADEMARK OFFICE
CERTIFICATE OF CORRECTION

PATENT NO. : D744,271 S
APPLICATION NO. : 29/484405
DATED : December 1, 2015
INVENTOR(S) : Francis Einstein

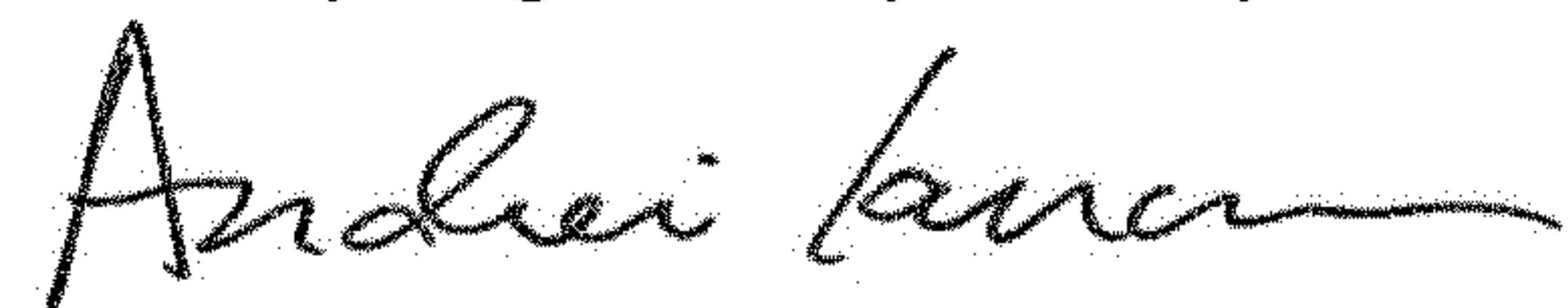
Page 1 of 1

It is certified that error appears in the above-identified patent and that said Letters Patent is hereby corrected as shown below:

On the Title Page

Applicant: replace "biljax inc." with --Bil-Jax, Inc.--;
Assignee: replace "biljax, inc." with --Bil-Jax, Inc.--.

Signed and Sealed this
Twenty-eighth Day of July, 2020



Andrei Iancu
Director of the United States Patent and Trademark Office