



US00D744267S

(12) **United States Design Patent**  
**Polidoros**

(10) **Patent No.:** **US D744,267 S**

(45) **Date of Patent:** **\*\* Dec. 1, 2015**

(54) **TABLE**

(71) Applicant: **IHS Global Design Pty Ltd**, Rowville,  
Victoria (AU)

(72) Inventor: **Nicholas Polidoros**, Mitcham (AU)

(73) Assignee: **IHS Global Design Pty Ltd** (AU)

(\*\*) Term: **14 Years**

(21) Appl. No.: **29/472,555**

(22) Filed: **Nov. 13, 2013**

(51) **LOC (10) CI.** ..... **06-06**

(52) **U.S. CI.**  
USPC ..... **D6/708.16**

(58) **Field of Classification Search**  
USPC ..... D6/691, 691.3, 691.6, 691.8, 708,  
D6/708.16, 709, 709.2, 711, 711.1, 675.1  
CPC ..... A47B 3/06; A47B 2200/0028; A47B  
13/003; A47B 2013/006; F16B 12/48; F16B  
12/52

See application file for complete search history.

(56) **References Cited**

**U.S. PATENT DOCUMENTS**

169,764 A	11/1875	Beaver
211,483 A	1/1879	Valley
587,219 A	7/1897	Maes
587,896 A	8/1897	White
D35,045 S	9/1901	Stickley
901,152 A	10/1908	Churchill
919,257 A	4/1909	Seydewitz
1,793,709 A	2/1931	Meyers
1,939,904 A	12/1933	Koopman
1,963,594 A	6/1934	Schwabe
2,010,342 A	8/1935	Woods
2,057,334 A	10/1936	Hannum
2,190,623 A	2/1940	Benson
D121,062 S	6/1940	Bach
D129,485 S	9/1941	Jiranek

2,591,797 A	4/1952	Exline et al.
3,312,355 A	4/1967	Steinmetz
D222,624 S	11/1971	Gianfagna
D224,873 S *	10/1972	Martini ..... D6/484
3,837,328 A	9/1974	Schaffer
D240,871 S	8/1976	Herman
3,993,005 A *	11/1976	Burr ..... 108/156
4,119,045 A	10/1978	Michelotti
D250,313 S	11/1978	Miller
RE30,020 E	6/1979	Spencer et al.
4,300,455 A	11/1981	Ornati

(Continued)

**FOREIGN PATENT DOCUMENTS**

AU	2006203492	2/2008
CN	3245051	7/2002

(Continued)

**OTHER PUBLICATIONS**

Bloomberry, Rosewood foldable tray table, 1stdibs.com, [http://www.1stdibs.com/furniture\\_item\\_print.php?id=664172](http://www.1stdibs.com/furniture_item_print.php?id=664172), available at least as early as Nov. 2, 2012.

(Continued)

*Primary Examiner* — Janice Seeger

(74) *Attorney, Agent, or Firm* — Saidman DesignLaw Group, LLC

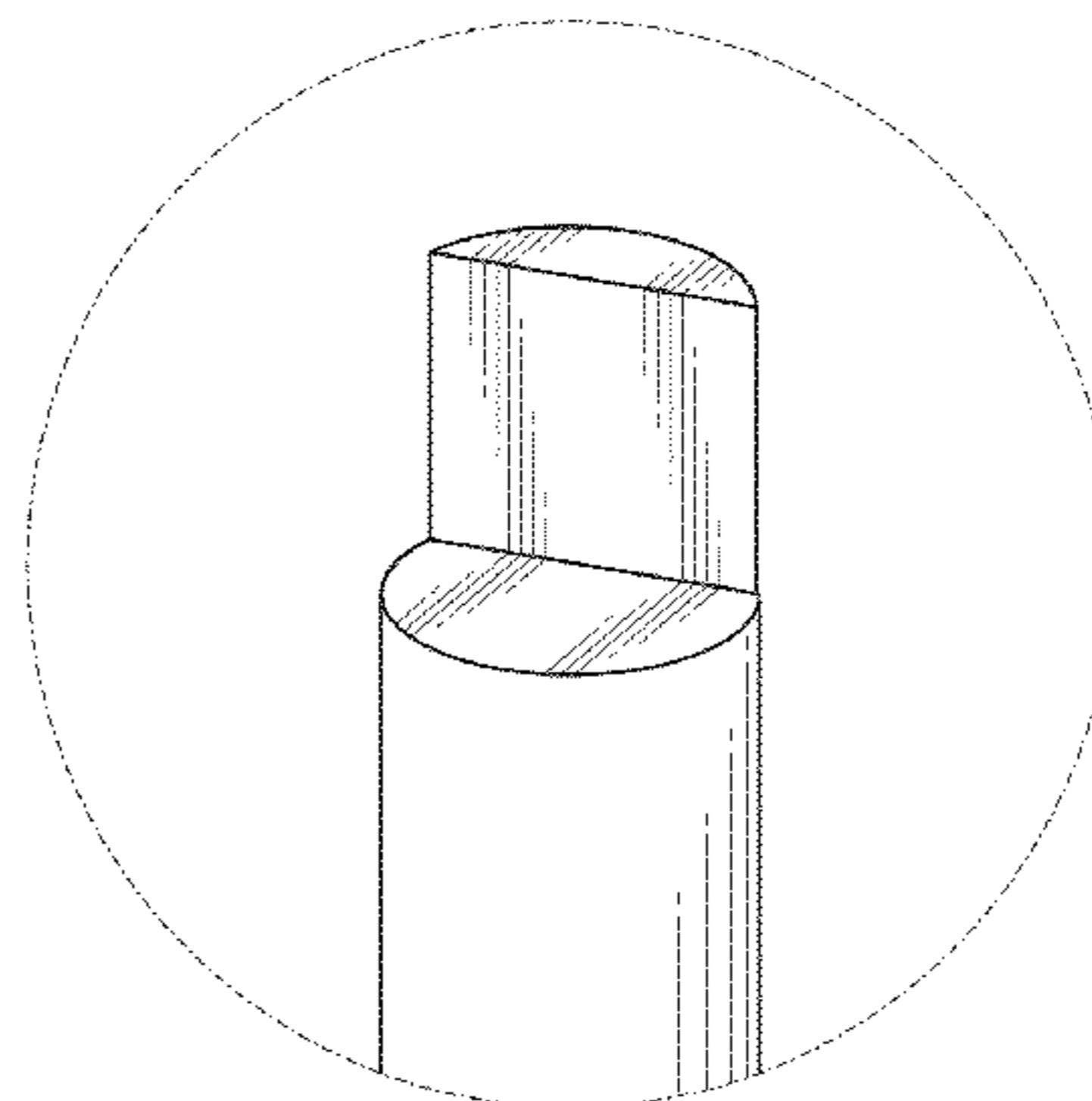
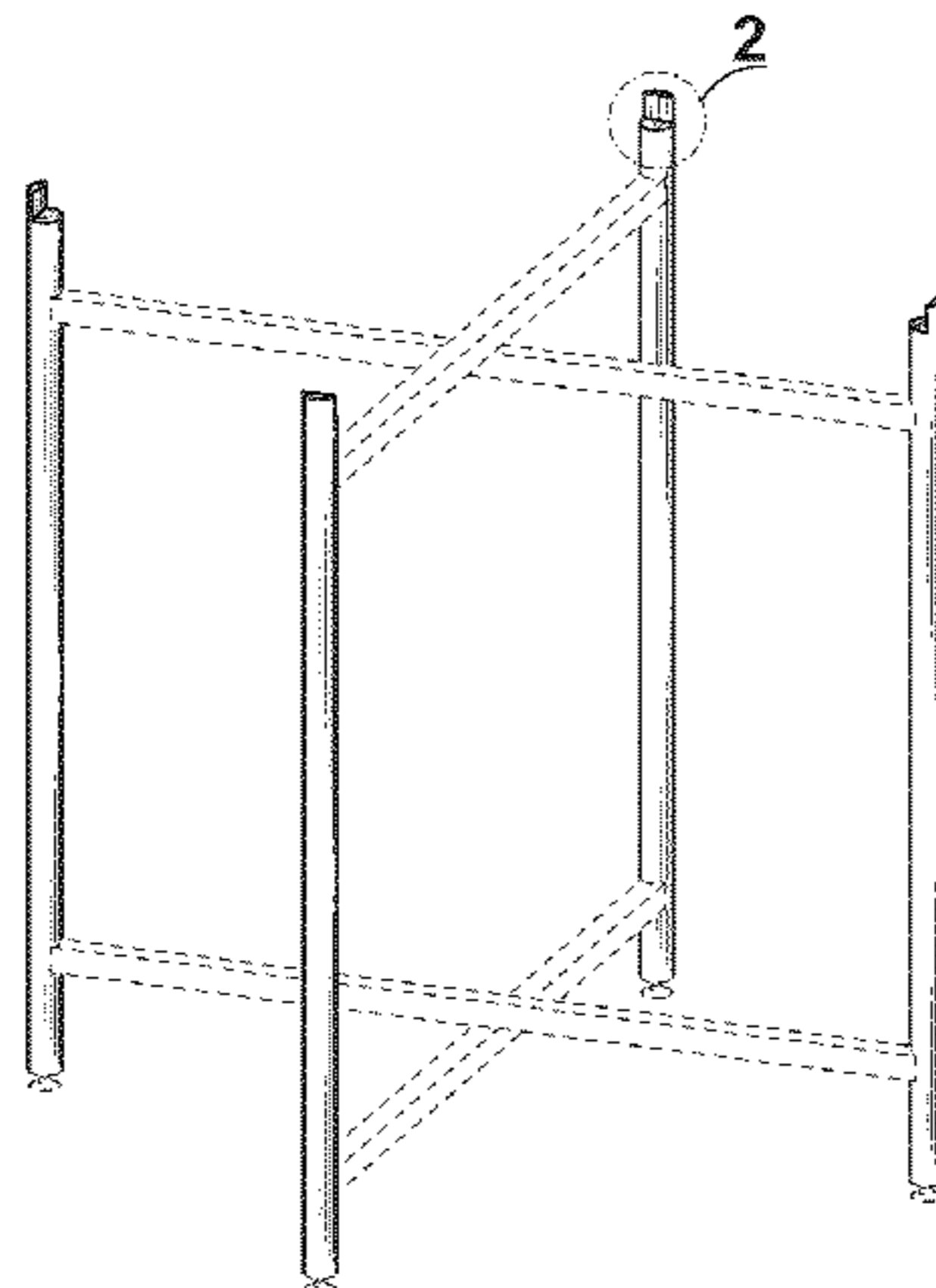
(57) **CLAIM**

The ornamental design for a table, as shown and described.

**DESCRIPTION**

FIG. 1 is a perspective view of a table showing my new design; and, FIG. 2 is an enlarged view of portion 2 encircled in FIG. 1. The dashed broken lines illustrate unclaimed environmental structure and the dot-dashed broken lines illustrate portions of enlargement; the broken lines themselves form no part of the claimed design.

**1 Claim, 1 Drawing Sheet**



(56)

References Cited

U.S. PATENT DOCUMENTS

D264,291	S	5/1982	Haigh	
D268,555	S	4/1983	Rosen	
D278,774	S	5/1985	De Fuccio	
D279,742	S	7/1985	DiPersia	
4,529,160	A	7/1985	Chan et al.	
D298,095	S	10/1988	Kelley et al.	
4,779,540	A	10/1988	Dion et al.	
D304,135	S	10/1989	Mergenov	
4,879,800	A	11/1989	Rumman	
D307,685	S	5/1990	Kelley et al.	
D334,312	S	3/1993	Glass	
D339,002	S	9/1993	Wong	
5,253,595	A	10/1993	Heidmann	
5,421,273	A	6/1995	Lin	
D389,347	S	1/1998	Muller	
D413,210	S	8/1999	Haserjian	
D425,335	S	5/2000	Newhouse	
D430,414	S	9/2000	Aloisi	
D440,080	S	4/2001	Suzuki	
D440,431	S	4/2001	Alexandersson	
D440,788	S	4/2001	Alexandersson	
D441,574	S	5/2001	Voyce	
D443,442	S	6/2001	Hutton	
D455,298	S	4/2002	McDaniel et al.	
D456,644	S	5/2002	Weaver	
D461,342	S	8/2002	Spitler	
D468,938	S	1/2003	Williams	
6,615,746	B2	9/2003	Bart	
D480,578	S	10/2003	Teel	
D482,214	S	11/2003	Weaver	
D485,097	S	1/2004	Raftery	
D486,015	S	2/2004	de Blois	
D488,938	S	4/2004	DiPersia	
D493,983	S	8/2004	Di Guglielmo et al.	
D506,082	S	6/2005	Foy	
D511,911	S	11/2005	Light et al.	
D534,743	S	1/2007	Bibi	
D553,384	S	10/2007	Wilenius	
D558,487	S	1/2008	Everson et al.	
D561,495	S	2/2008	Kreiss	
D606,337	S	12/2009	Lee	
D649,381	S	11/2011	Mainzer	
D662,735	S	7/2012	Polidoros	
D665,540	S	8/2012	Kilroy	
D692,708	S *	11/2013	Polidoros	D6/708
D692,709	S	11/2013	Polidoros	
D693,157	S	11/2013	Polidoros	
D693,161	S *	11/2013	Polidoros	D6/708
D693,162	S	11/2013	Polidoros	
D693,613	S	11/2013	Polidoros	
D693,614	S	11/2013	Polidoros	
D703,473	S *	4/2014	Polidoros	D6/708
2003/0095832	A1	5/2003	Weaver	
2006/0150870	A1	7/2006	Mai	
2008/0143166	A1	6/2008	de Oliveira	
2010/0147200	A1	6/2010	Polidoros	
2010/0269738	A1	10/2010	Collins	

FOREIGN PATENT DOCUMENTS

DE	29800863	7/1998
EP	0 613 637	11/1993
EP	0 823 582	1/1997
FR	674881	2/1930
FR	708875	7/1931
FR	2320713	3/1977
FR	954590-001	11/1995
FR	954590-002	11/1995

FR	965228-002	2/1997
FR	2750837	1/1998
FR	977595-003	1/2001
FR	010278-012	6/2001
FR	032542-002	8/2003
GB	322625	7/1929
GB	387188	2/1933
GB	397 592	8/1933
GB	510 248	7/1939
GB	652 211	4/1951
GB	766 898	1/1957
GB	1356191	6/1974
GB	2060886	2/1997
GB	2 316 605	3/1998
JP	59134424	11/1987
JP	55013857	1/1989
WO	81-01321	5/1981
WO	97/32503	9/1997
WO	00/03147	1/2000
WO	2008/014535	2/2008

OTHER PUBLICATIONS

Fornasetti Lacquered Tray Table, 1stdibs.com, [http://www.1stdibs.com/furniture\\_item\\_print.php?id=700614](http://www.1stdibs.com/furniture_item_print.php?id=700614), available at least as early as Nov. 2, 2012.

Mark Frisman, Hans Wegner Occasional Table in Teak, 1stdibs.com, [http://www.1stdibs.com/furniture\\_item\\_print.php?id=711797](http://www.1stdibs.com/furniture_item_print.php?id=711797), available at least as early as Nov. 2, 2012.

Dual, Nest of Occasional Tables Bertha Schaefer for M. Singer & Sons, 1stdibs.com, [http://www.1stdibs.com/furniture\\_item\\_print.php?id=330714](http://www.1stdibs.com/furniture_item_print.php?id=330714), available at least as early as Nov. 2, 2012.

G4 Décor, Tole Tray with Stand, 1stdibs.com, [http://www.1stbibs.com/furniture\\_item\\_print.php?id=499089](http://www.1stbibs.com/furniture_item_print.php?id=499089), available at least as early as Nov. 2, 2012.

Forbes Industries, EcoFlex Tables Catalogue, © 2013.

Table A, publication date unknown.

Table B, publication date unknown.

Table C, publication date unknown.

Application of Nicholas Polidoros in U.S. Appl. No. 29/464,825, entitled "Table Base" filed Aug. 21, 2013.

Application of Nicholas Polidoros in U.S. Appl. No. 29/424,878.

Application of Nicholas Polidoros in U.S. Appl. No. 29/457,257, filed Jun. 7, 2013, as amended Jul. 19, 2013.

Application of Nicholas Polidoros in U.S. Appl. No. 29/461,203, filed Jul. 19, 2013.

European Search Report dated Jul. 5, 2010 for Application No. EP 10157763.

International Search Report dated Jun. 2, 2007 for Application No. PCT/AU2007/000589.

Written Opinion dated Jul. 17, 2008 for Application No. PCT/AU2007/000589.

Abstract for WO 81/01321 dated May 14, 1981.

Abstract for EP 0823582 dated Feb. 11, 1998.

Application of Nicholas Polidoros in U.S. Appl. No. 29/471,204, filed Oct. 29, 2013.

Application of Nicholas Polidoros in U.S. Appl. No. 29/457,232, filed Jun. 7, 2013.

Application of Nicholas Polidoros in U.S. Appl. No. 13/911,611, filed Jun. 6, 2013.

Forbes Brochure, published in 2000.

Application of Nicholas Polidoros in U.S. Appl. No. 29/472,559, filed Nov. 13, 2013.

Application of Nicholas Polidoros in U.S. Appl. No. 29/472,554, filed Nov. 13, 2013.

Application of Nicholas Polidoros in U.S. Appl. No. 29/475,430, filed Dec. 3, 2013.

\* cited by examiner



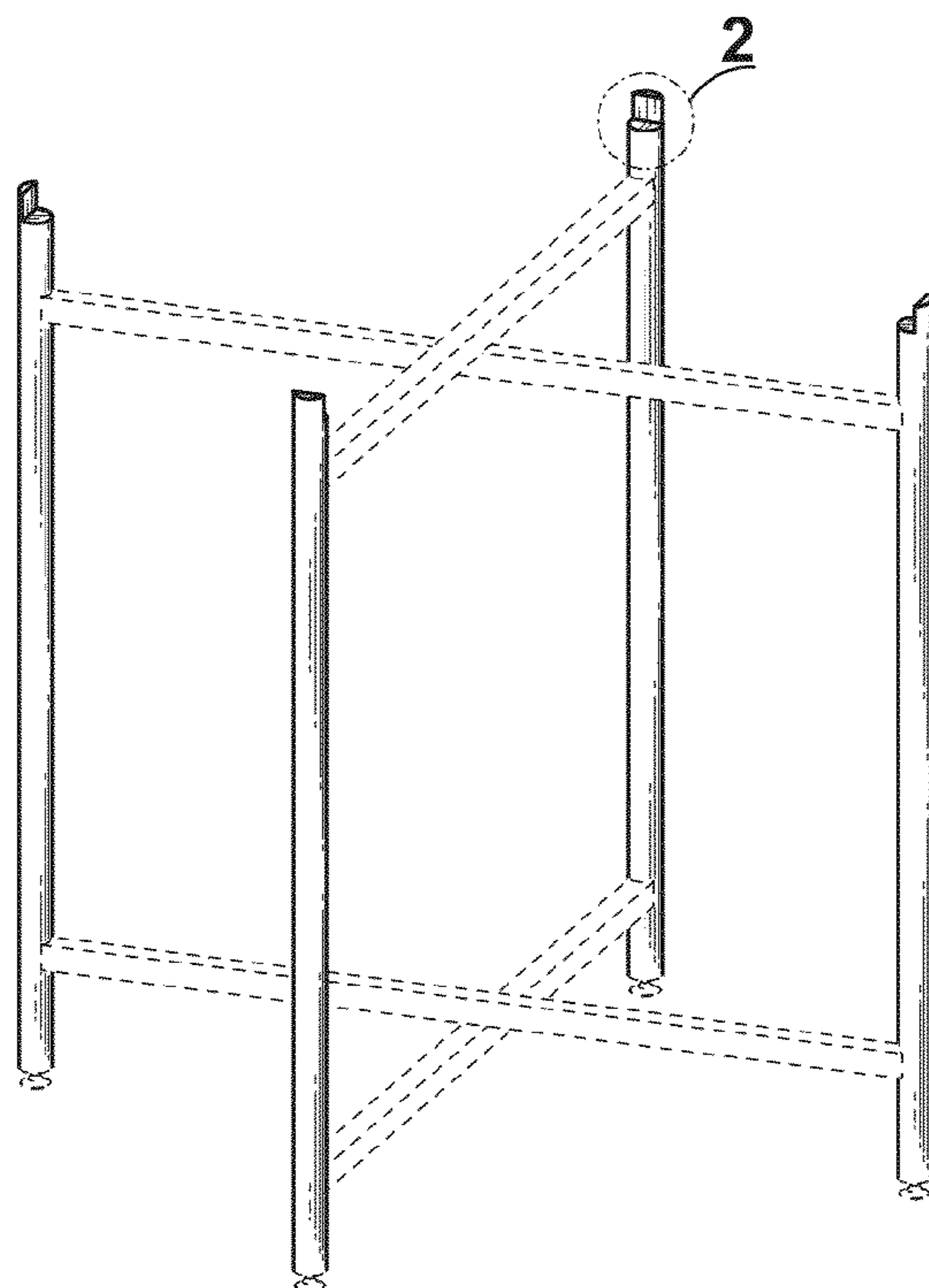


FIG. 1

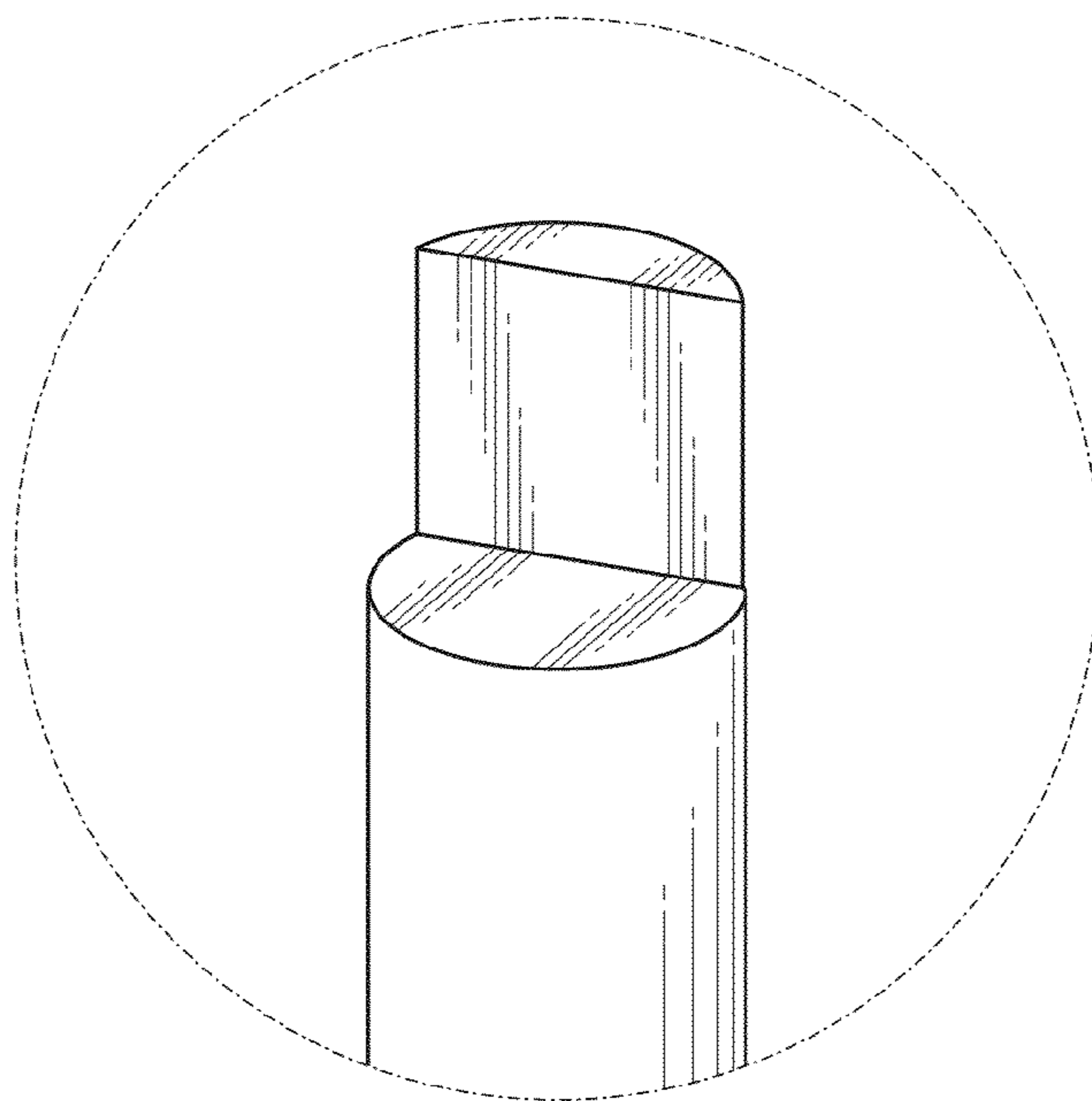


FIG. 2