



US00D744265S

(12) **United States Design Patent**
Wang

(10) **Patent No.:** **US D744,265 S**

(45) **Date of Patent:** **** Dec. 1, 2015**

(54) **FURNITURE PANEL PATTERN**

(71) Applicant: **George Wang**, City of Industry, CA (US)

(72) Inventor: **George Wang**, City of Industry, CA (US)

(73) Assignee: **FURNITURE OF AMERICA, INC.**, City of Industry, CA (US)

(**) Term: **14 Years**

(21) Appl. No.: **29/463,317**

(22) Filed: **Oct. 10, 2013**

(51) **LOC (10) Cl.** **06-04**

(52) **U.S. Cl.**
USPC **D6/705.3**

(58) **Field of Classification Search**
USPC D6/661-662, 675.1, 703, 703.2, 703.3, D6/703.5, 705.4, 713, 717; D25/48.1, D25/48.3, 138
CPC .. A47B 47/03; A47B 47/042; A47B 47/0091; A01K 63/006; E06B 7/21; F16B 12/02
See application file for complete search history.

(56) **References Cited**

U.S. PATENT DOCUMENTS

D217,596 S *	5/1970	Johnston	D25/48.1
D262,929 S *	2/1982	Woudstra	D6/703.3
D288,612 S *	3/1987	Tofani	D25/48.3
D415,636 S *	10/1999	Hsieh	D6/703.3
D487,550 S *	3/2004	Jeup	D6/703.3
D491,285 S *	6/2004	Mock	D25/138

D622,521 S *	8/2010	Urquiola	D6/675.1
D663,137 S *	7/2012	Andersen	D6/661
D711,673 S *	8/2014	Lim	D6/703

* cited by examiner

Primary Examiner — Ricky Pham

(74) *Attorney, Agent, or Firm* — Raymond Y. Chan; David and Raymond Patent Firm

(57) **CLAIM**

The ornamental design for a furniture panel pattern, as shown and described.

DESCRIPTION

FIG. 1 is a front perspective view of furniture panel pattern showing my new design, illustrating the furniture panel pattern at a two-drawer furniture.

FIG. 2 is a front view thereof, illustrating the furniture panel pattern at the two-drawer furniture.

FIG. 3 is a front perspective view of furniture panel pattern showing my new design, illustrating the furniture panel pattern at a four-drawer furniture.

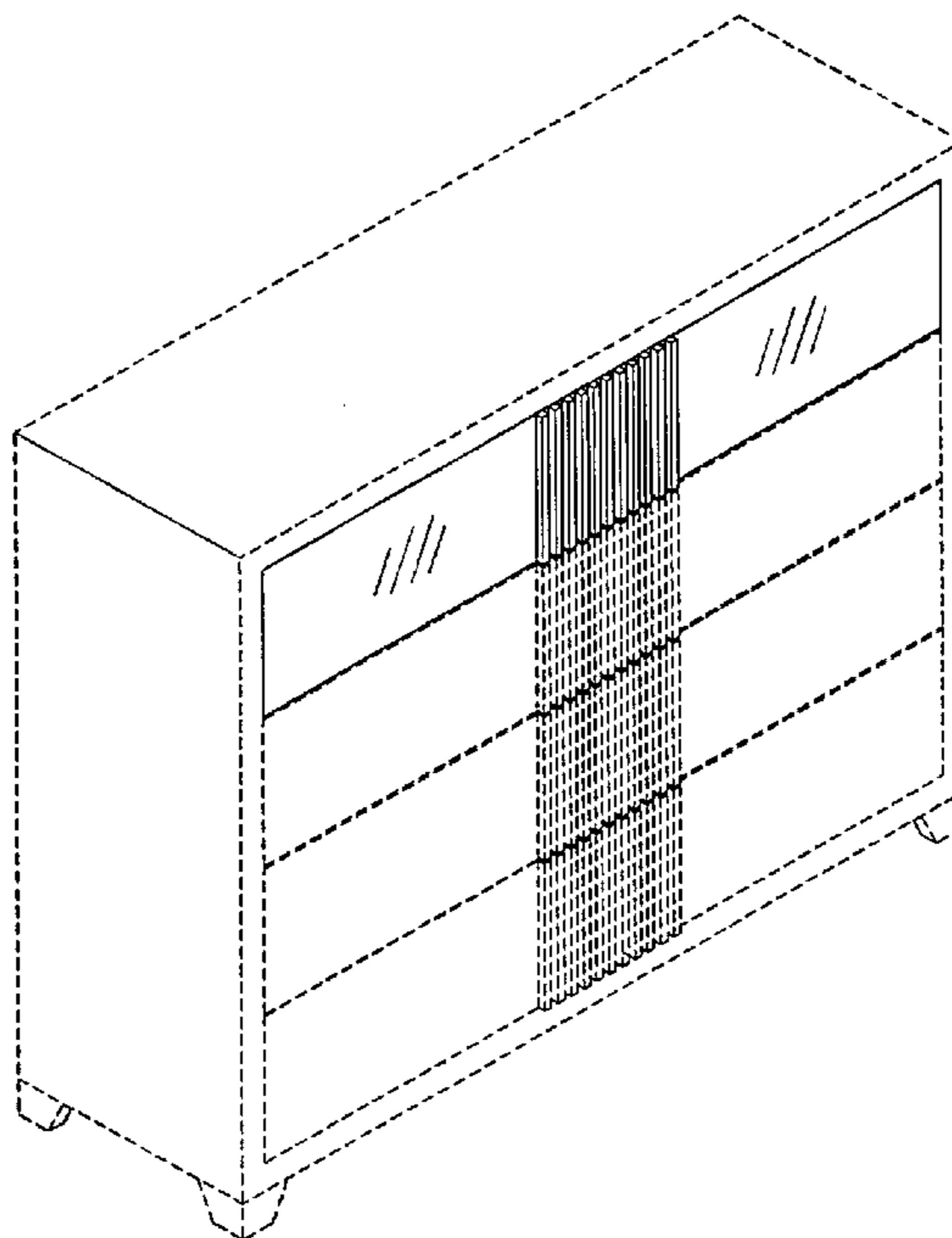
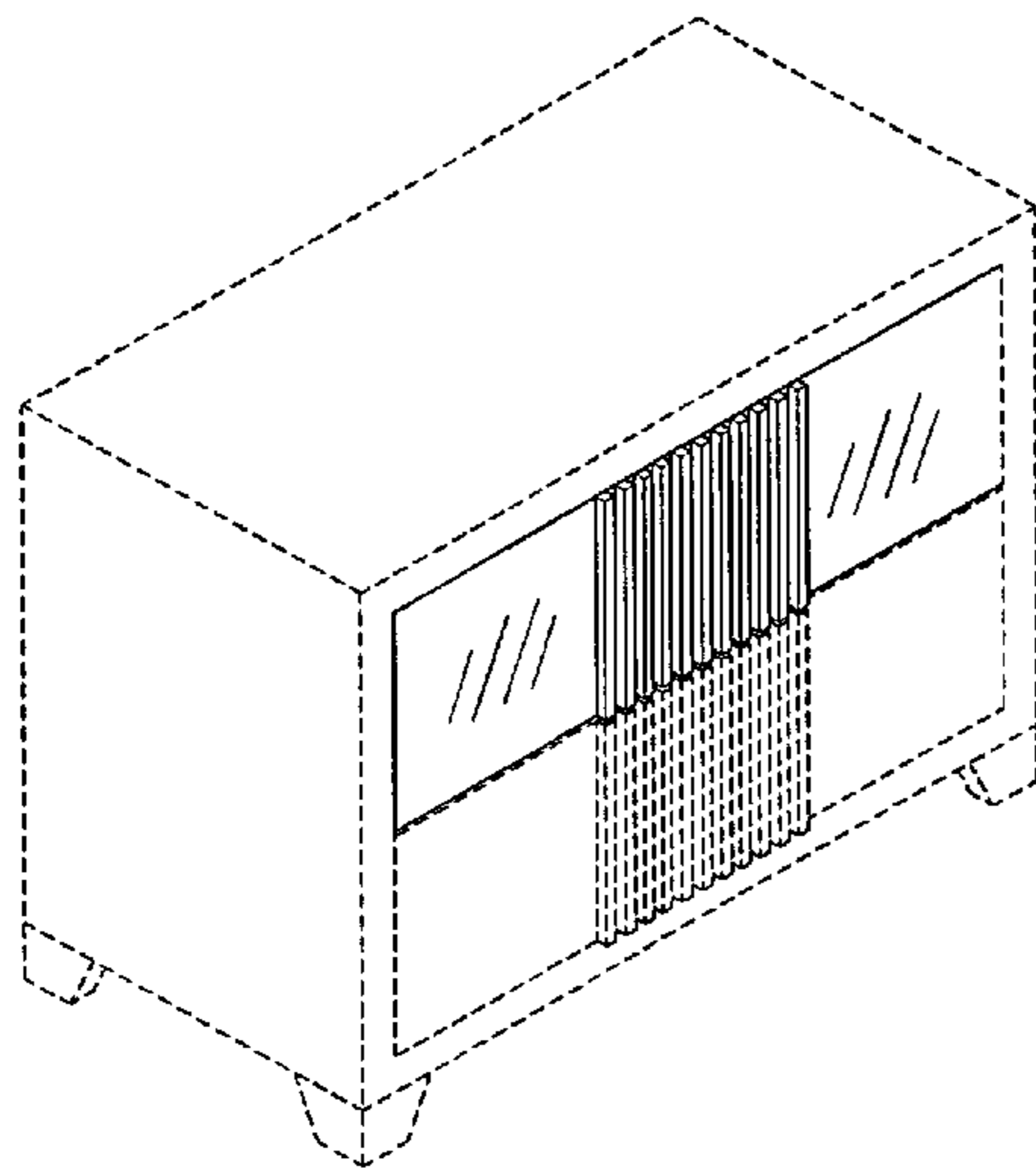
FIG. 4 is a front view thereof, illustrating the furniture panel pattern at the four-drawer furniture.

FIG. 5 is a front perspective view of furniture panel pattern showing my new design, illustrating the furniture panel pattern at a three-drawer furniture; and,

FIG. 6 is a front view thereof, illustrating the furniture panel pattern at the three-drawer furniture.

The broken lines in FIGS. 1 to 6 of the drawings are for illustrative purposes only and form no part of the claimed design.

1 Claim, 3 Drawing Sheets



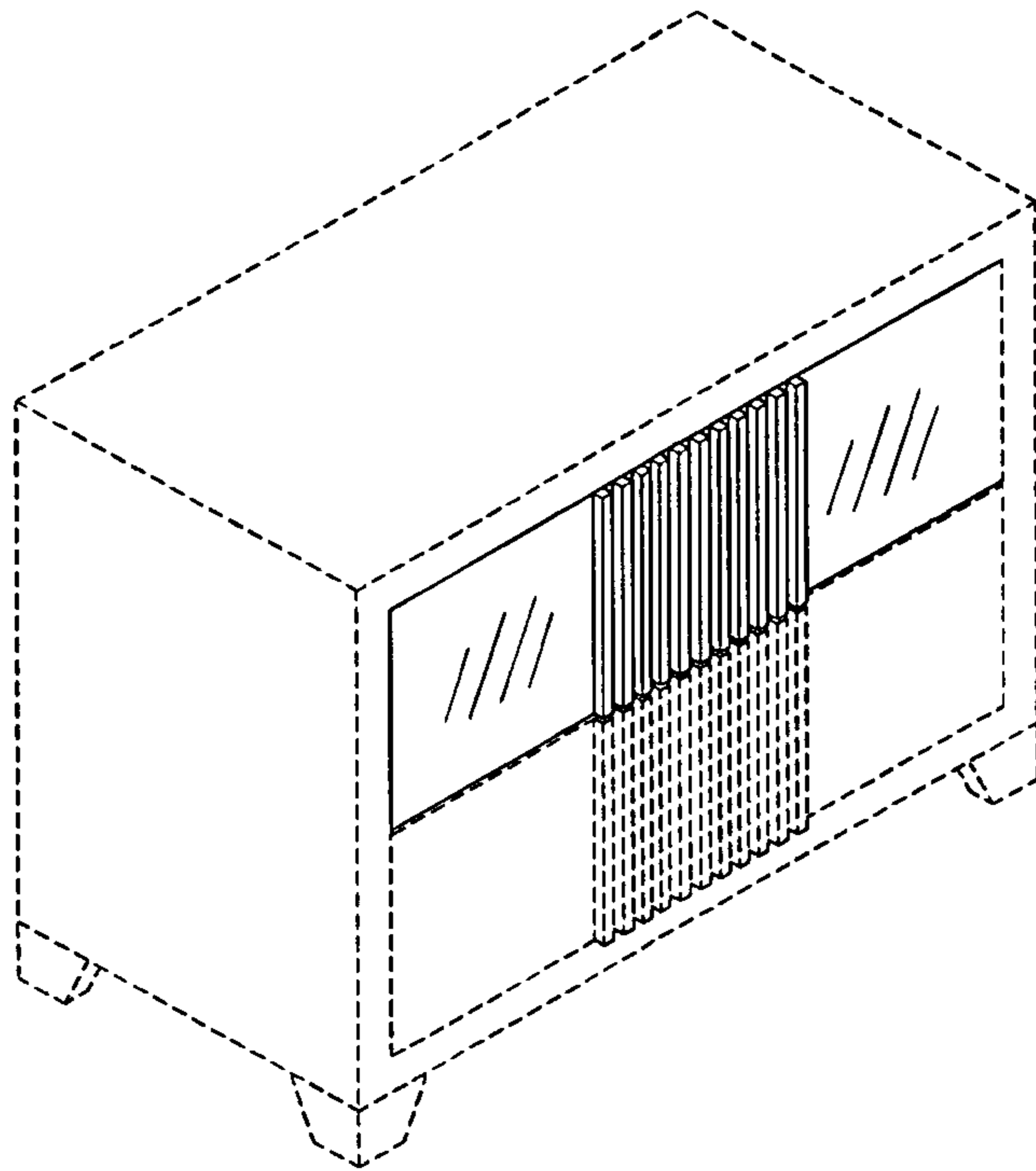


FIG. 1

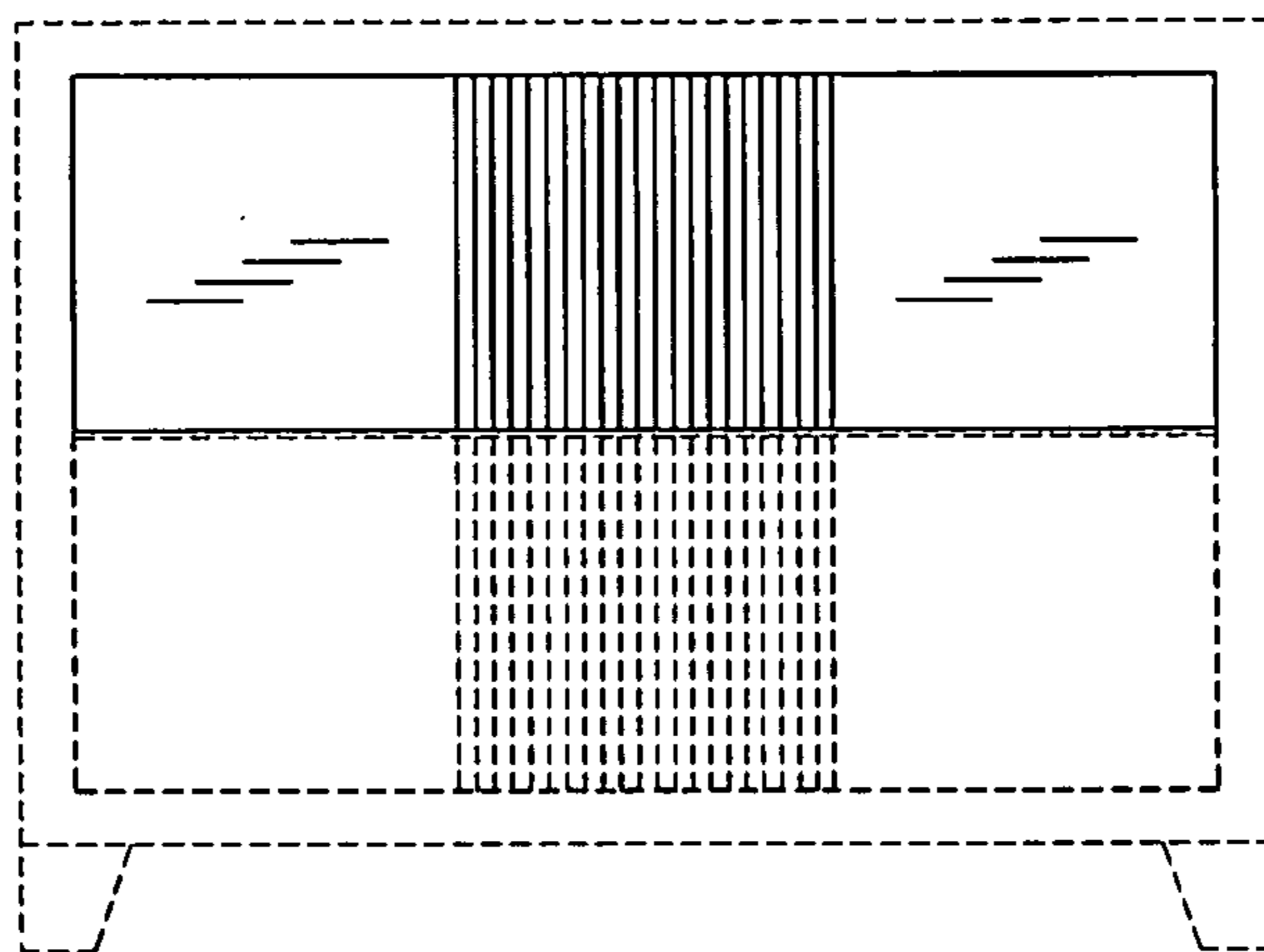


FIG. 2

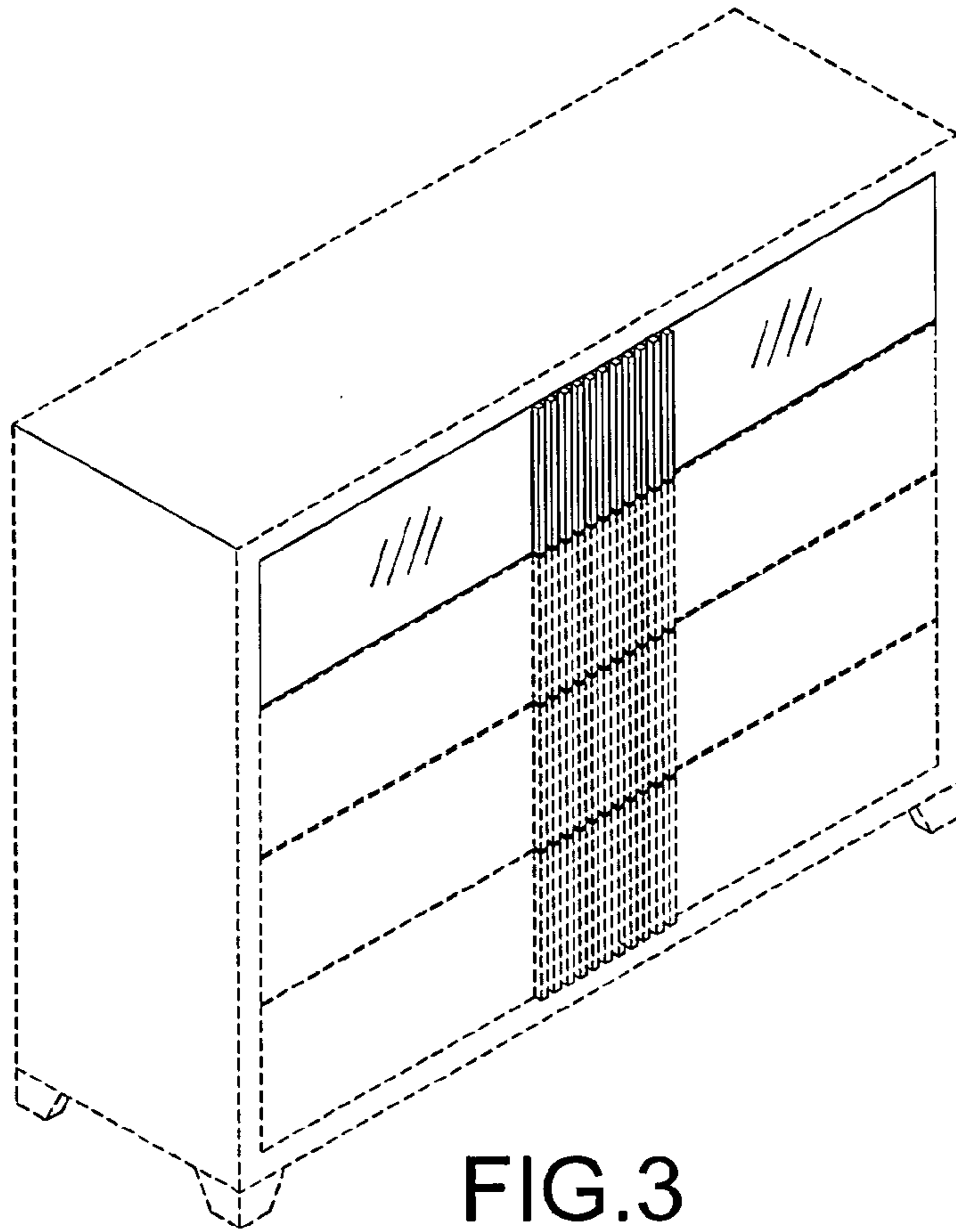


FIG. 3

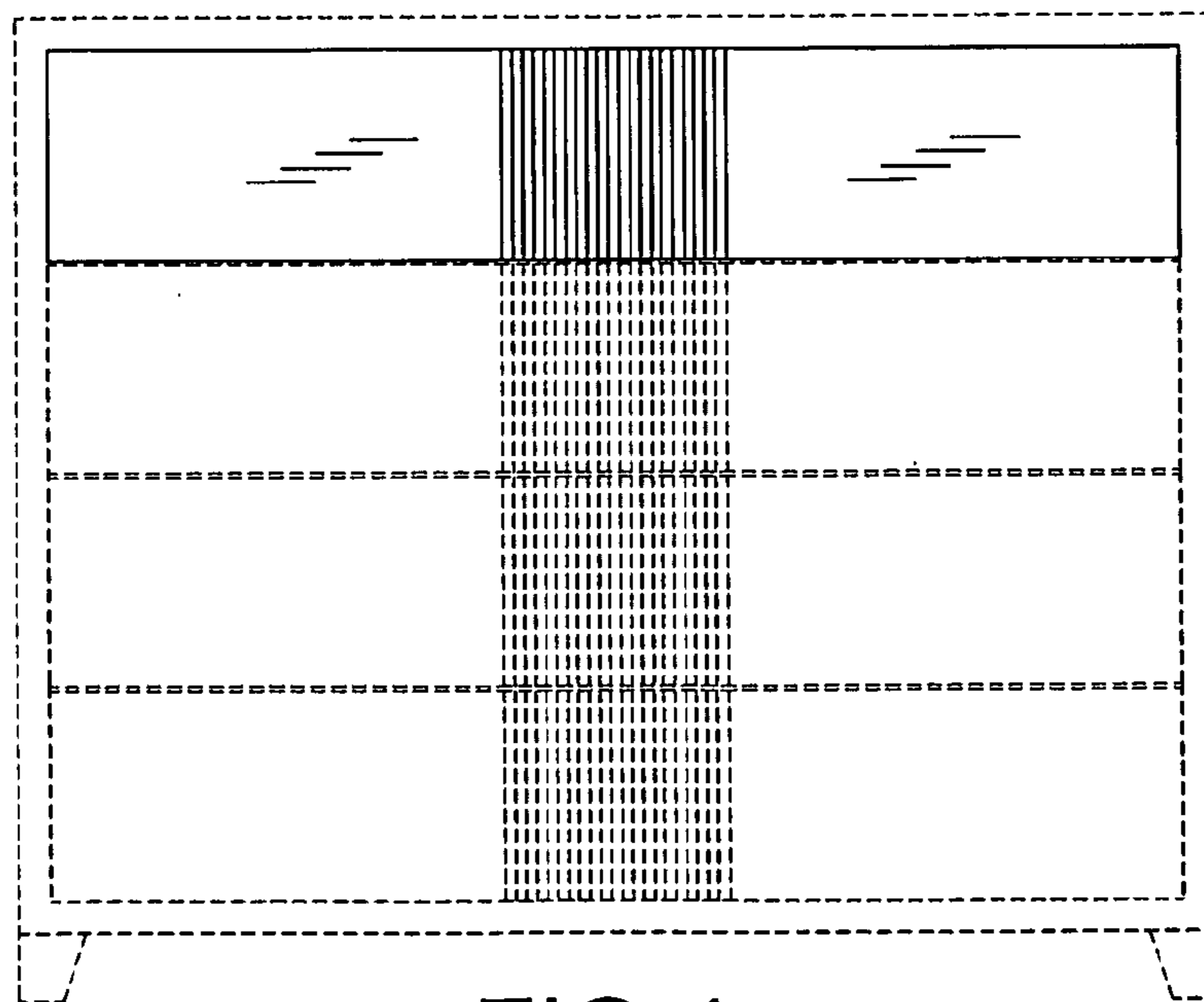


FIG. 4

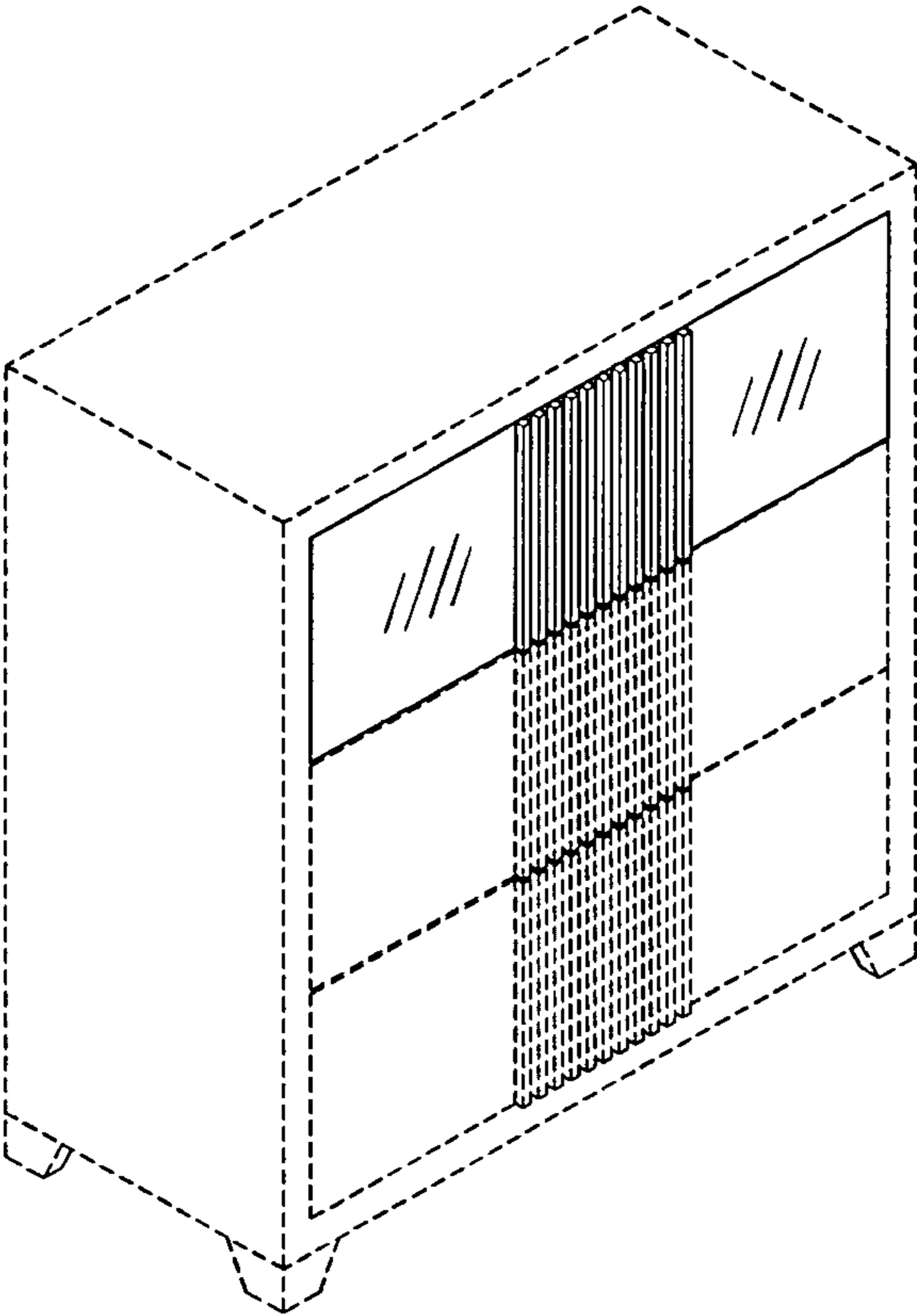


FIG. 5

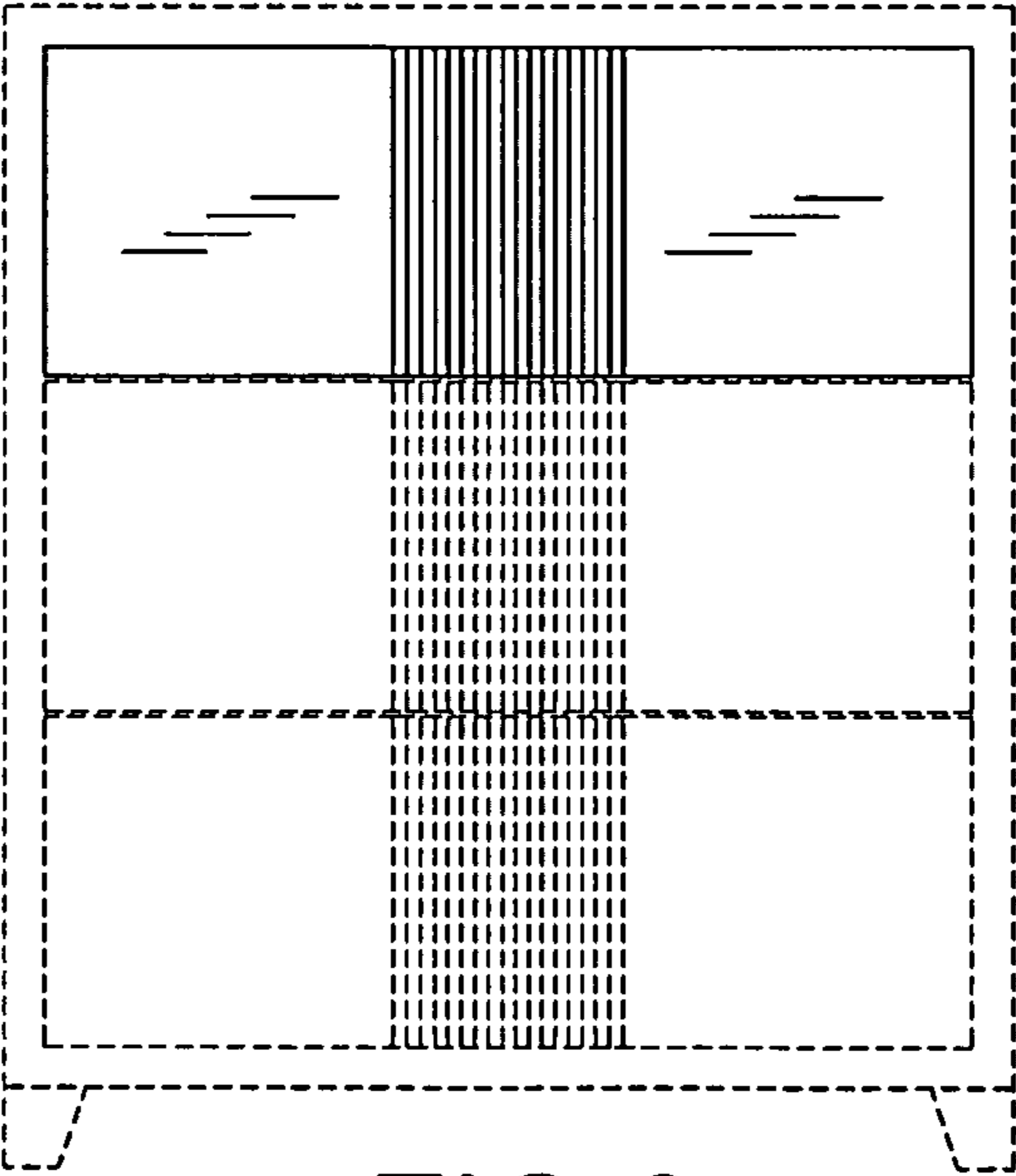


FIG. 6