



US00D744264S

(12) **United States Design Patent**
Oehler

(10) **Patent No.:** **US D744,264 S**
(45) **Date of Patent:** **** Dec. 1, 2015**

(54) **MODULAR CABINET SYSTEM**

(71) Applicant: **Erich Oehler**, San Francisco, CA (US)

(72) Inventor: **Erich Oehler**, San Francisco, CA (US)

(**) Term: **14 Years**

(21) Appl. No.: **29/473,687**

(22) Filed: **Nov. 25, 2013**

(51) **LOC (10) Cl.** **06-04**

(52) **U.S. Cl.**
USPC **D6/705**

(58) **Field of Classification Search**

USPC D6/381, 657, 660–662, 662.1, 671,
D6/671.1, 675, 675.1, 691.8

CPC A47B 17/04; A47B 47/03; A47B 81/06;
A47B 83/00; A47F 3/00; A47F 3/005; A47F
5/0807

See application file for complete search history.

(56) **References Cited**

U.S. PATENT DOCUMENTS

D490,996 S *	6/2004	Weiss et al.	D6/381
D517,352 S *	3/2006	Wicha	D6/675
D551,468 S *	9/2007	Hoglan et al.	D6/675.1
D587,497 S *	3/2009	Zambelli	D6/675.1
D589,280 S *	3/2009	Zambelli	D6/675.1
D599,577 S *	9/2009	Lara	D6/660

(Continued)

Primary Examiner — Ricky Pham

(74) *Attorney, Agent, or Firm* — Nixon Peabody LLP;
Khaled Shami

(57) **CLAIM**

The ornamental design for a “modular cabinet system,” as shown and described.

DESCRIPTION

FIG. 1 is a right perspective view of an embodiment of a modular cabinet system.

FIG. 2 is a front elevational view of the modular cabinet system shown in FIG. 1.

FIG. 3 is a rear elevational view of the modular cabinet system shown in FIG. 1.

FIG. 4 is an elevational view of the left side of the modular cabinet system shown in FIG. 1.

FIG. 5 is a bottom plan view of the modular cabinet system shown in FIG. 1.

FIG. 6 is a top plan view of the modular cabinet system shown in FIG. 1.

FIG. 7 is an elevational view of the right side of the modular cabinet system shown in FIG. 1.

FIG. 8 is a right perspective view of another embodiment of a modular cabinet system.

FIG. 9 is a front elevational view of the modular cabinet system shown in FIG. 8.

FIG. 10 is a rear elevational view of the modular cabinet system shown in FIG. 8.

FIG. 11 is an elevational view of the left side of the modular cabinet system shown in FIG. 8.

FIG. 12 is a bottom plan view of the modular cabinet system shown in FIG. 8.

FIG. 13 is a top plan view of the modular cabinet system shown in FIG. 8.

FIG. 14 is an elevational view of the right side of the modular cabinet system shown in FIG. 8.

FIG. 15 is a right perspective view of a further embodiment of a modular cabinet system.

FIG. 16 is a front elevational view of the modular cabinet system shown in FIG. 15.

FIG. 17 is a rear elevational view of the modular cabinet system shown in FIG. 15.

FIG. 18 is a top plan view of the modular cabinet system shown in FIG. 15.

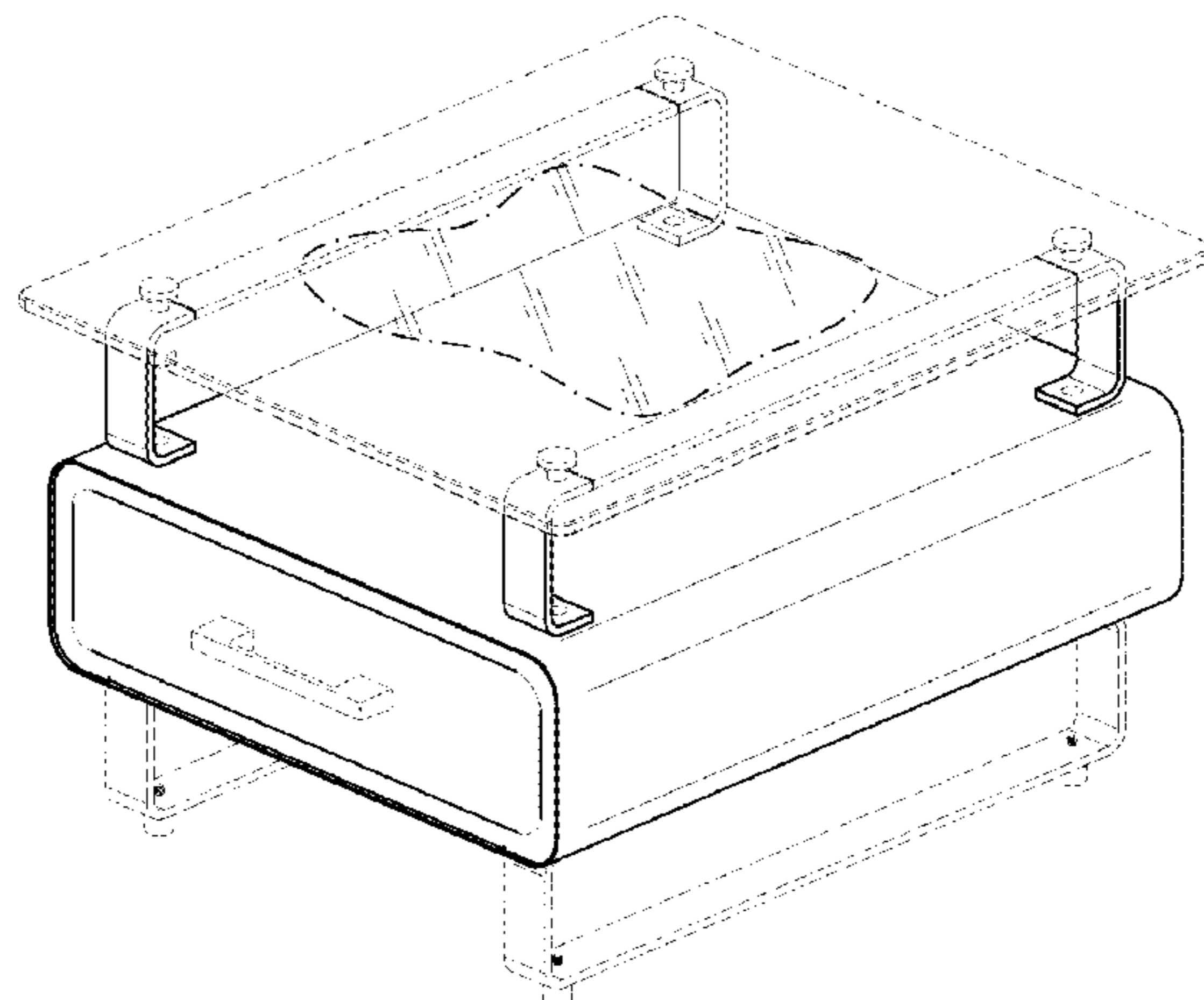
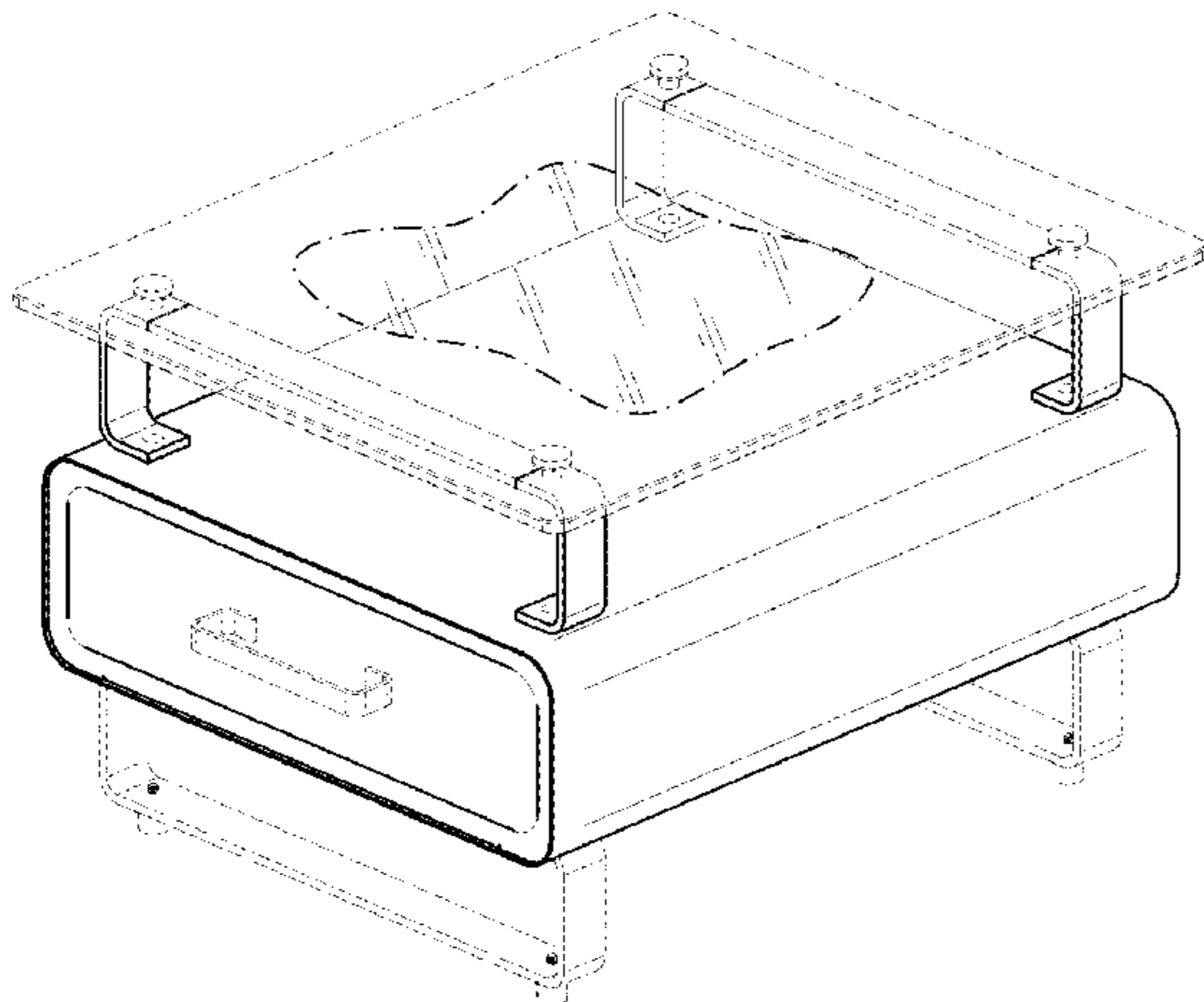
FIG. 19 is a bottom plan view of the modular cabinet system shown in FIG. 15.

FIG. 20 is an elevational view of the left side of the modular cabinet system shown in FIG. 15; and,

FIG. 21 is an elevational view of the right side of the modular cabinet shown in FIG. 15.

The broken lines are only for illustrative purposes to show visible environmental structure and form no part of the claimed invention.

1 Claim, 13 Drawing Sheets



US D744,264 S

Page 2

(56)

References Cited

U.S. PATENT DOCUMENTS

D663,138 S *	7/2012	Andersen et al.	D6/661
D663,139 S *	7/2012	Zambelli	D6/661
D696,539 S *	12/2013	Zambelli	D6/662.1
D619,826 S *	7/2010	Calco et al.	D6/675.1

* cited by examiner

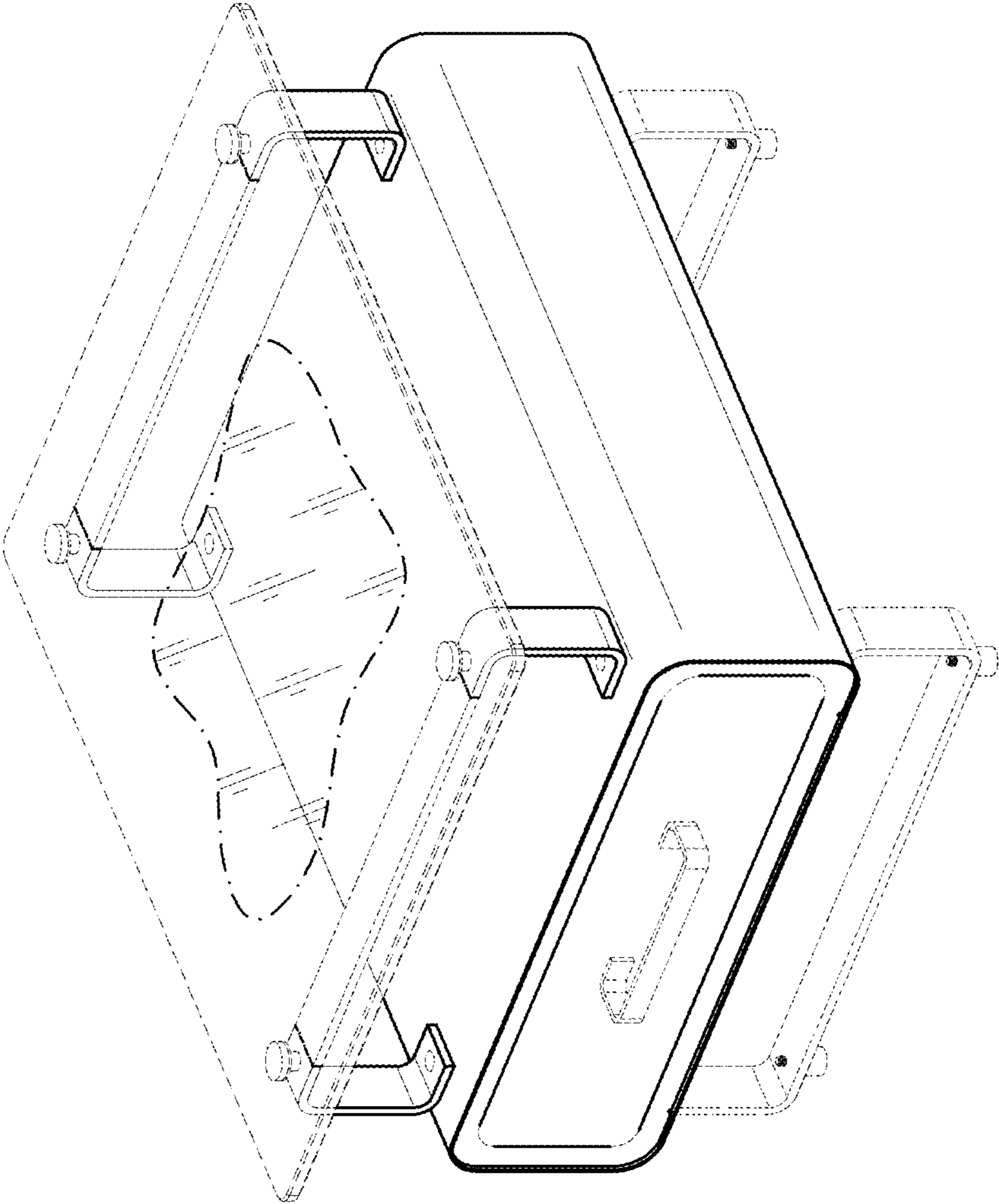


FIG. 1

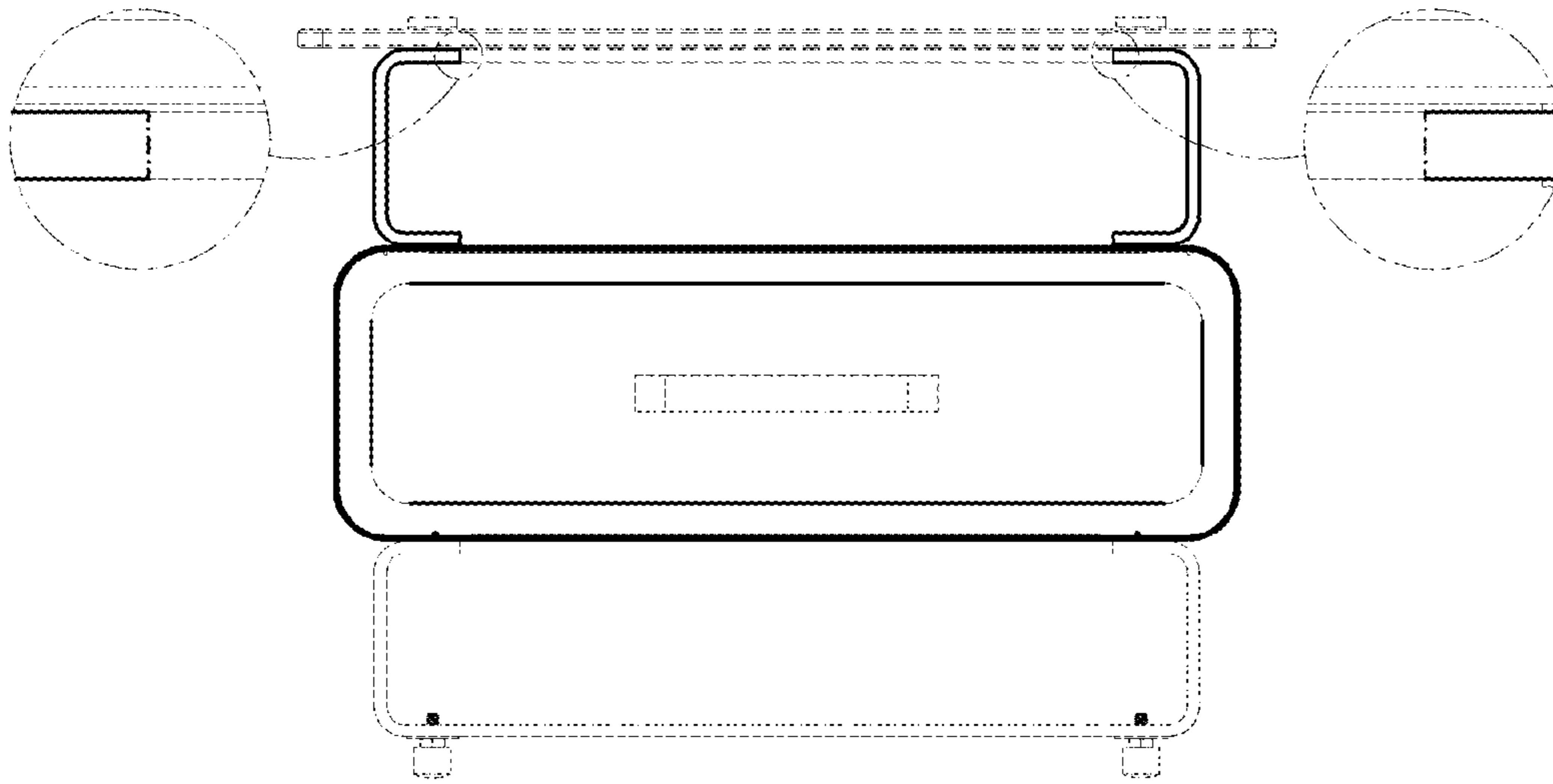


FIG. 2

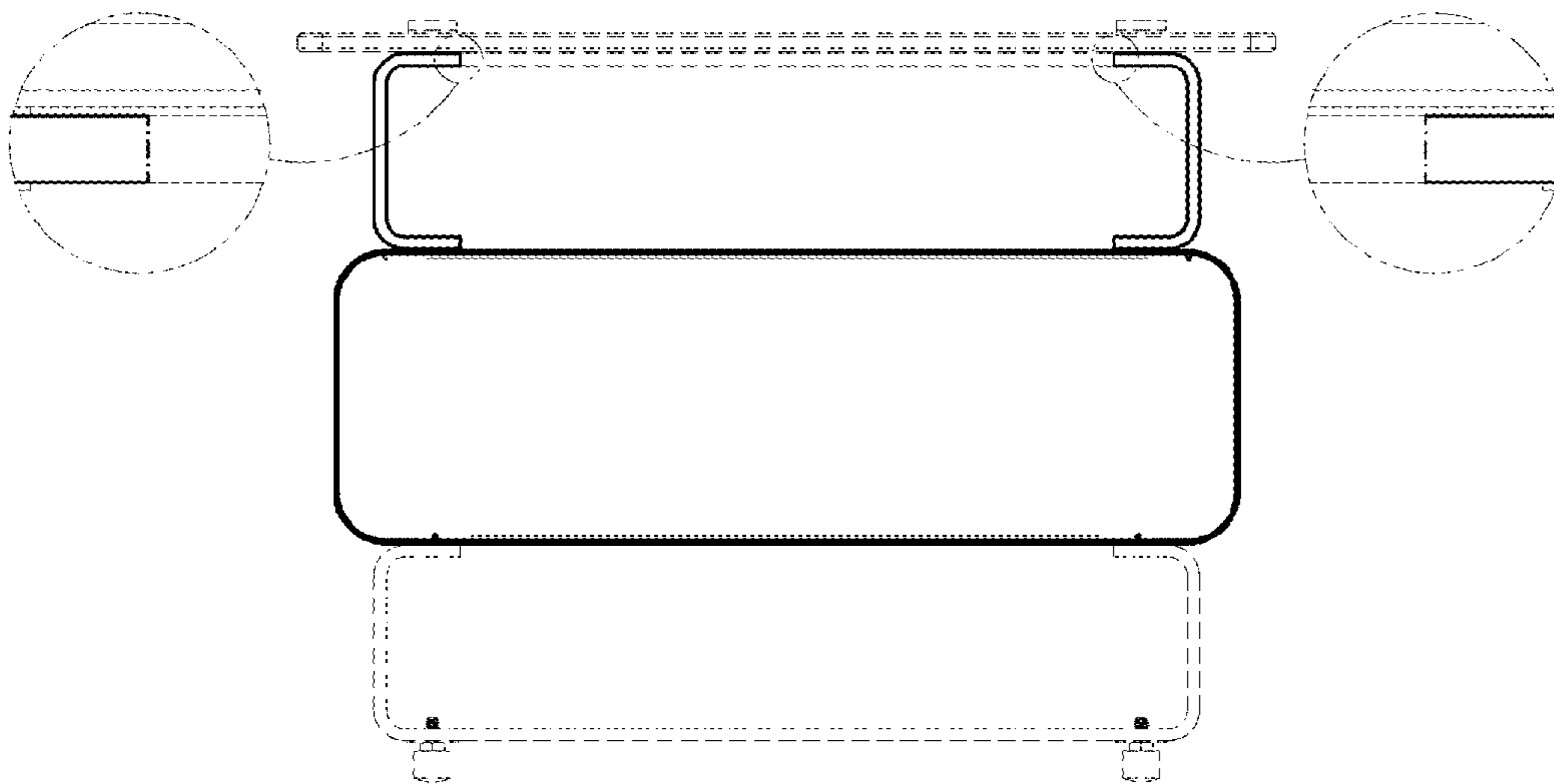


FIG. 3

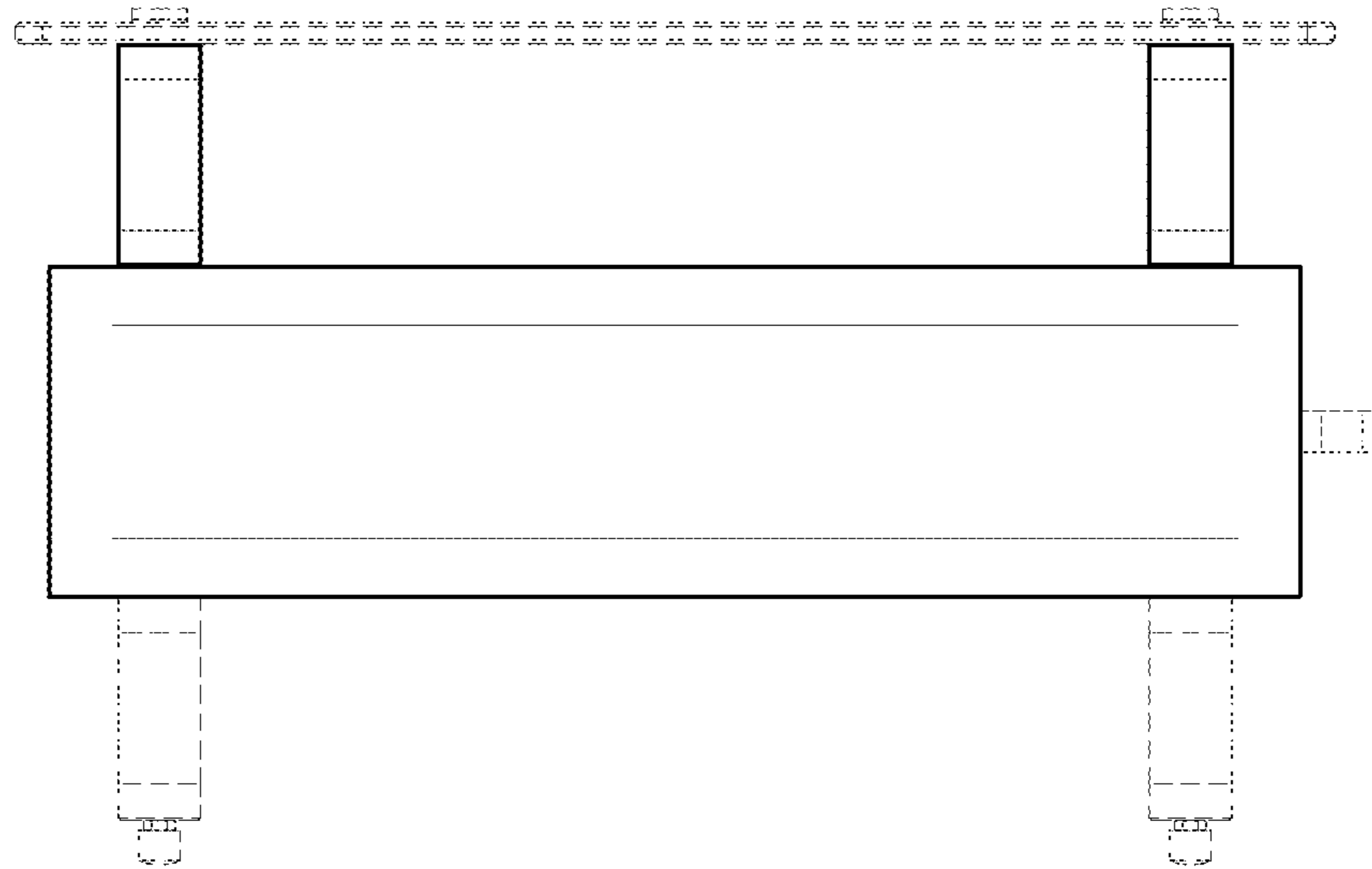


FIG. 4

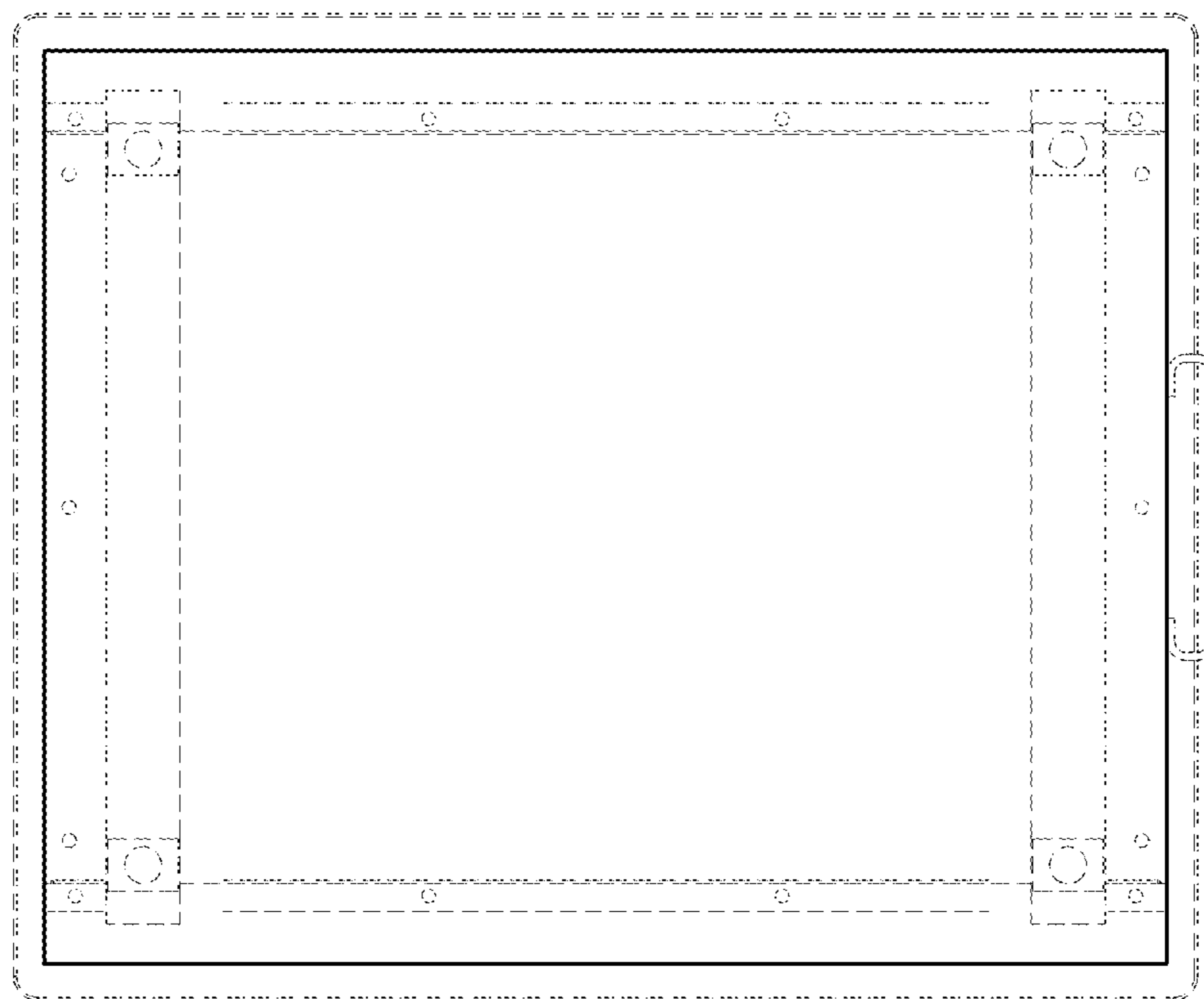


FIG. 5

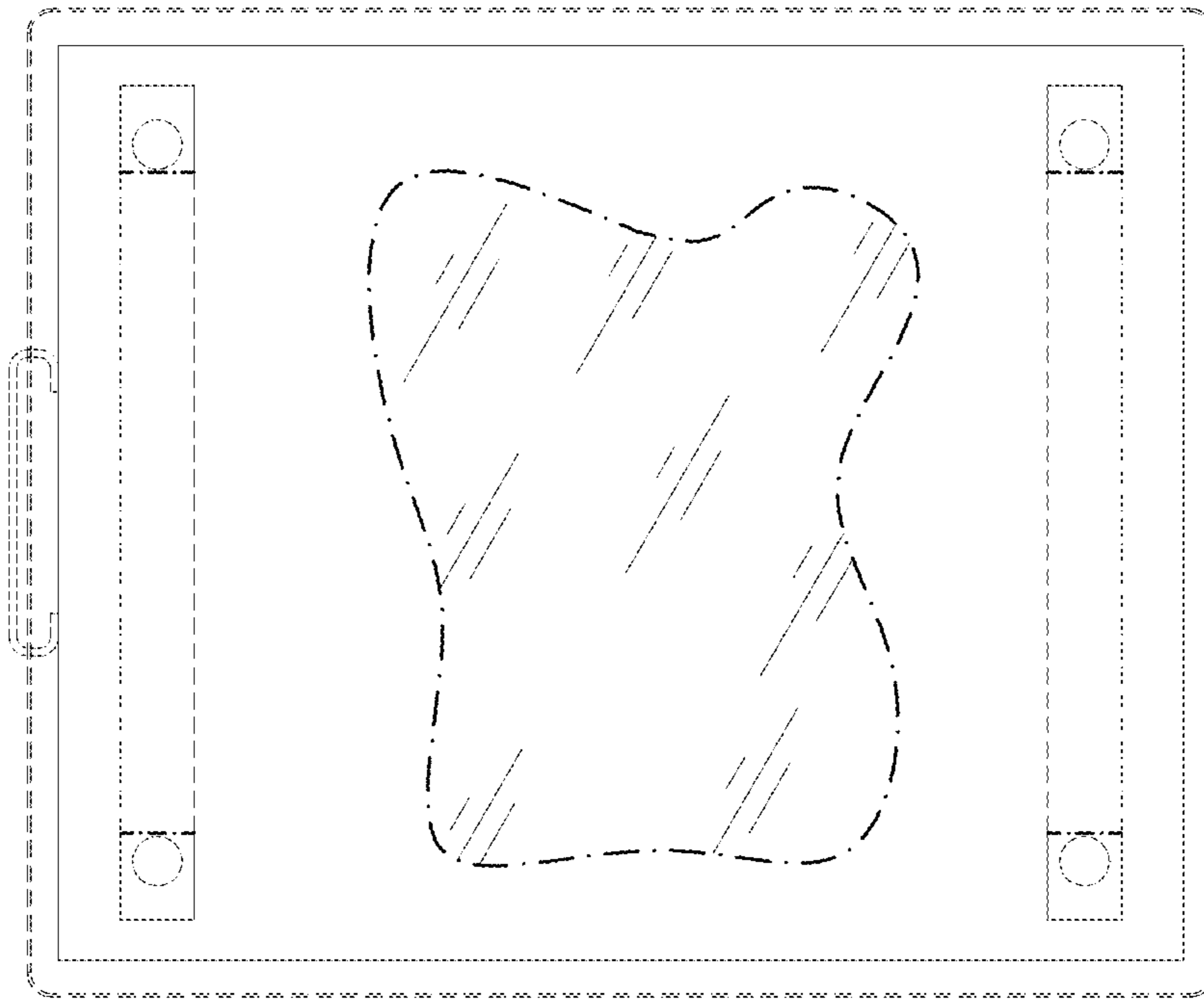


FIG. 6

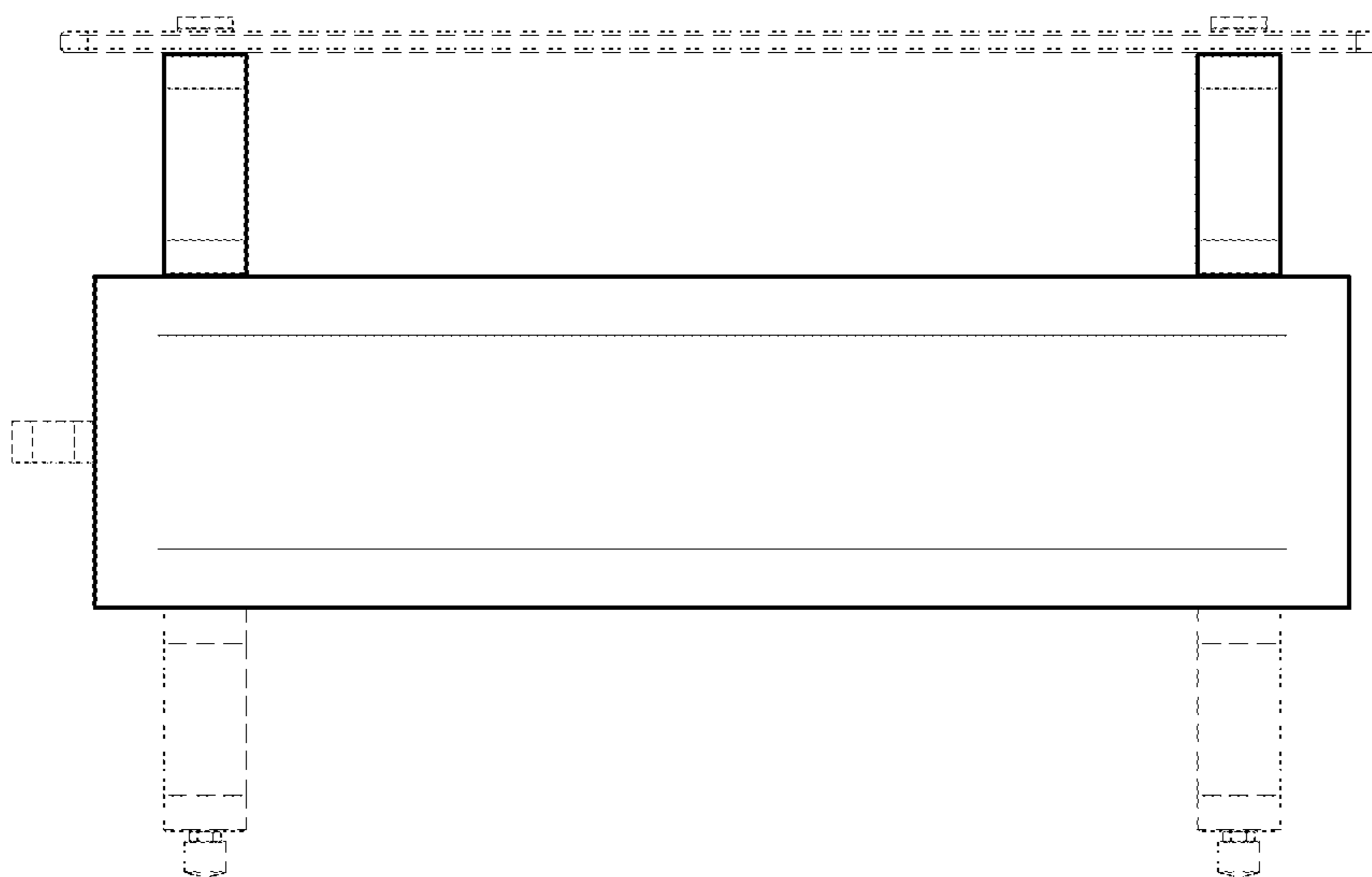


FIG. 7

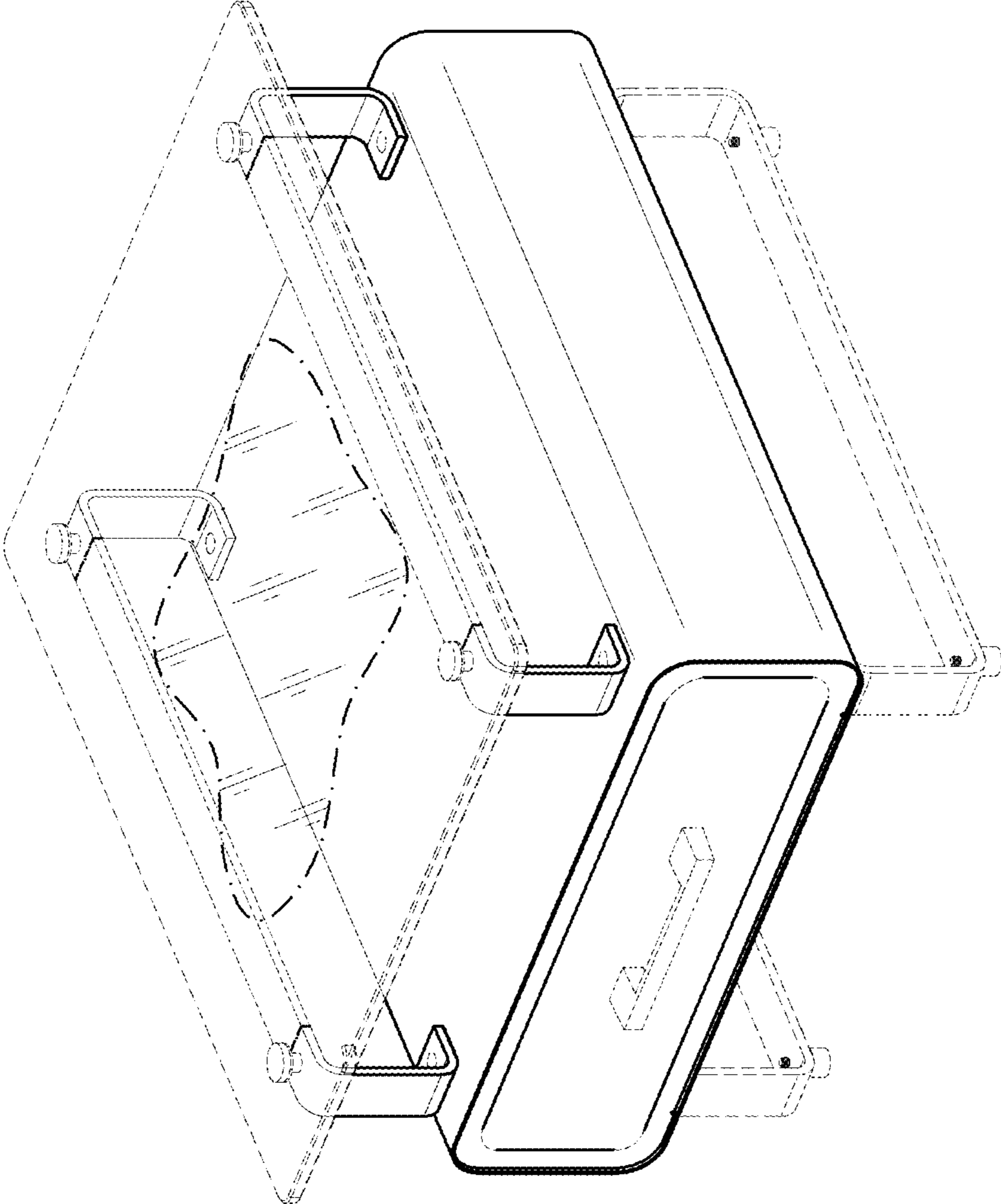


FIG. 8

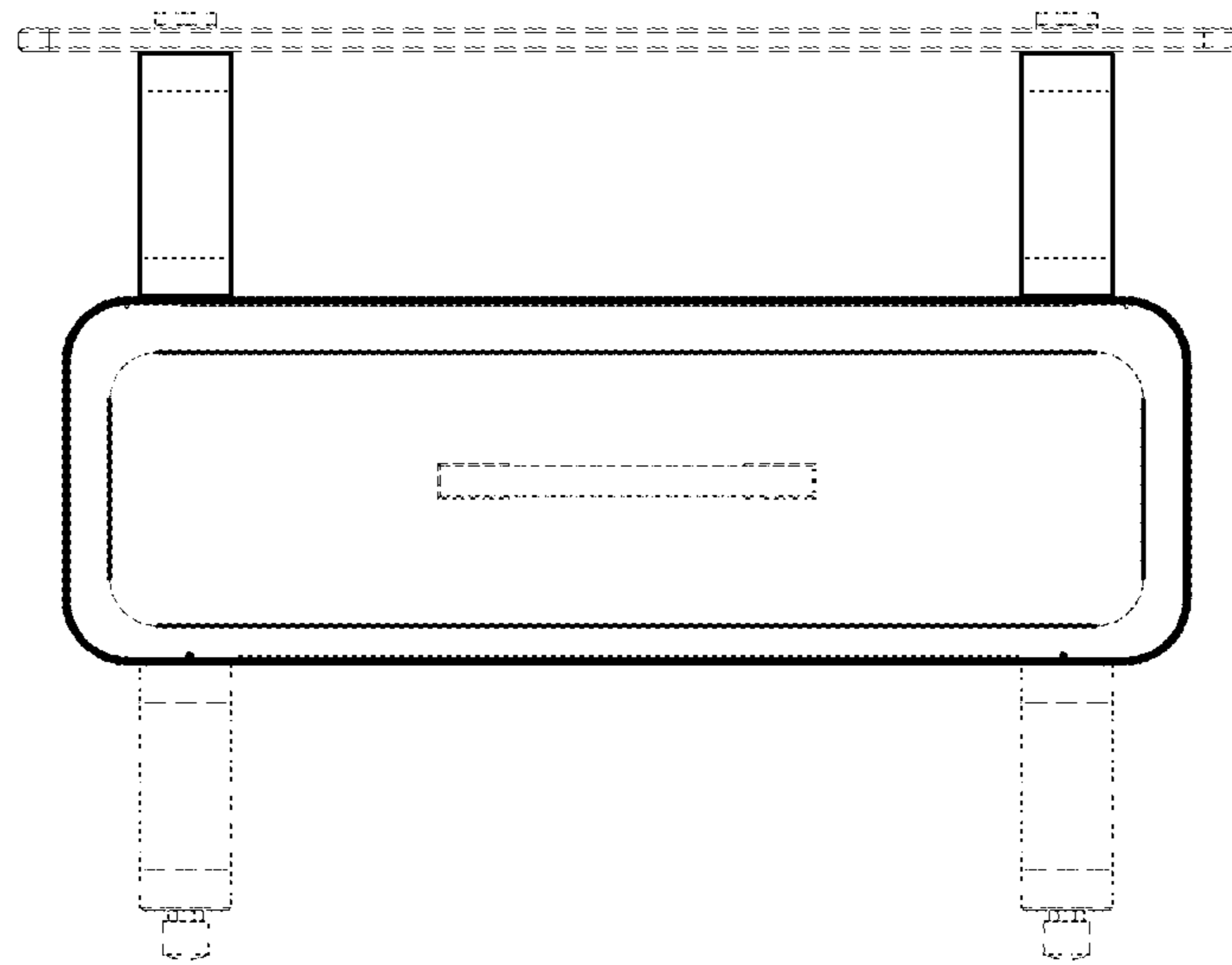


FIG. 9

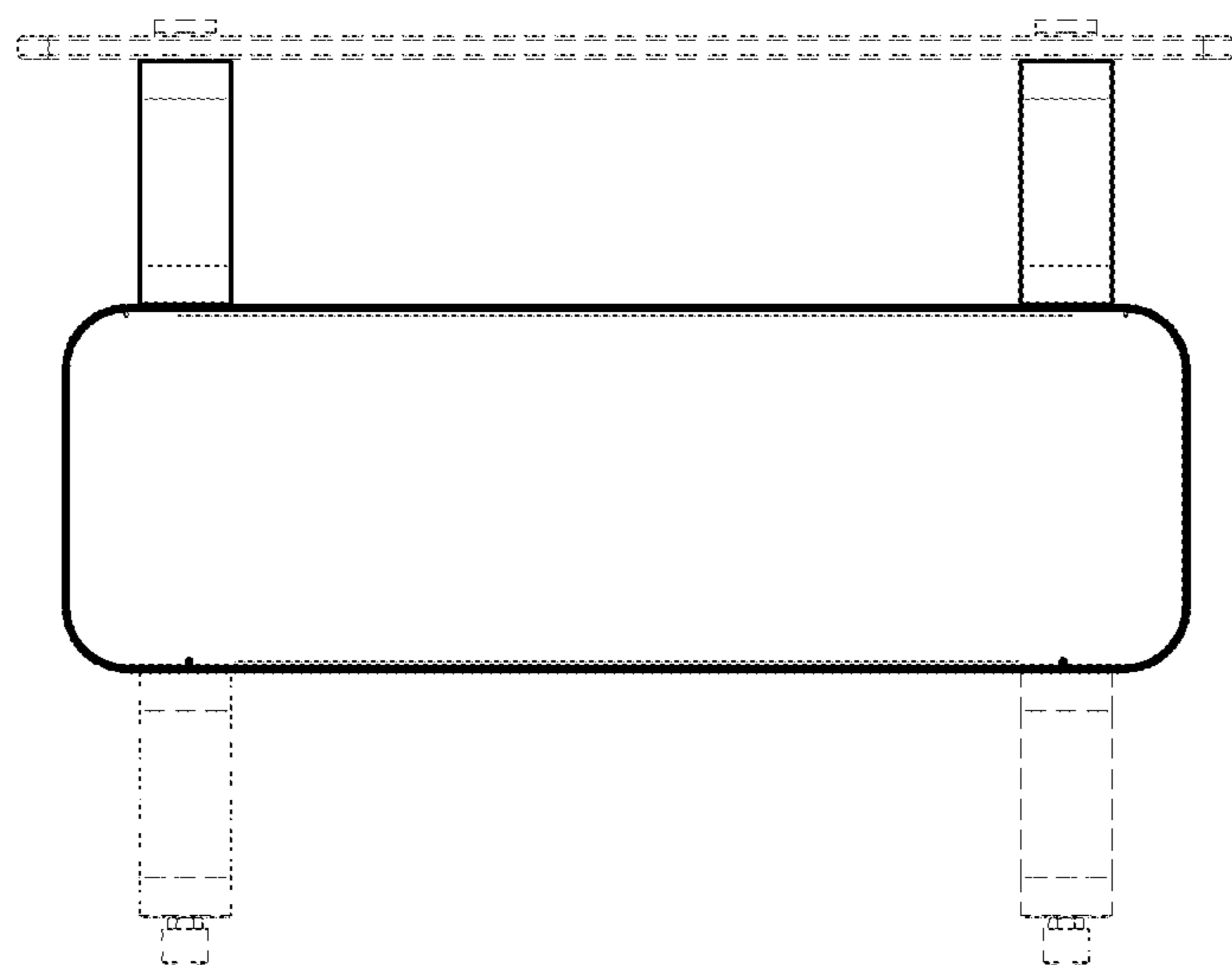


FIG. 10

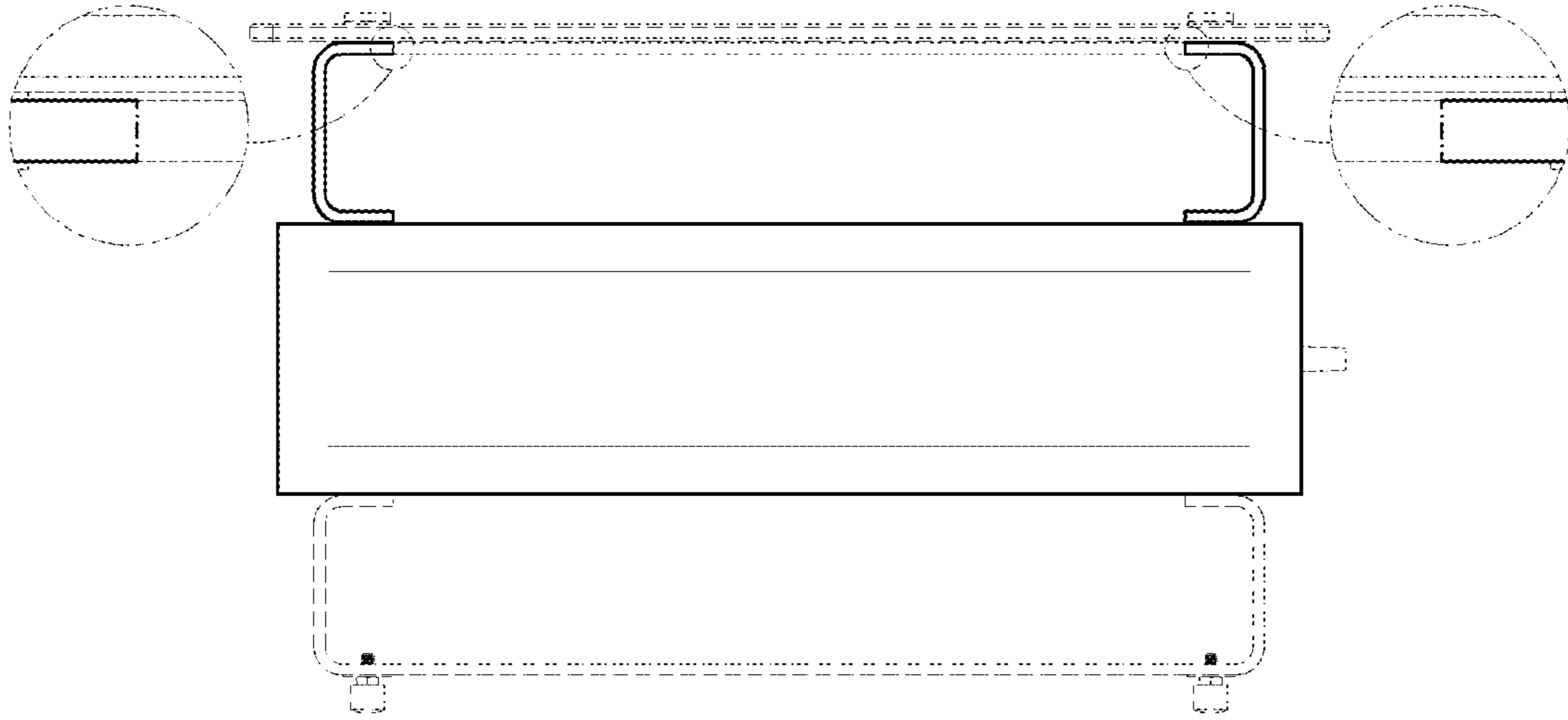


FIG. 11

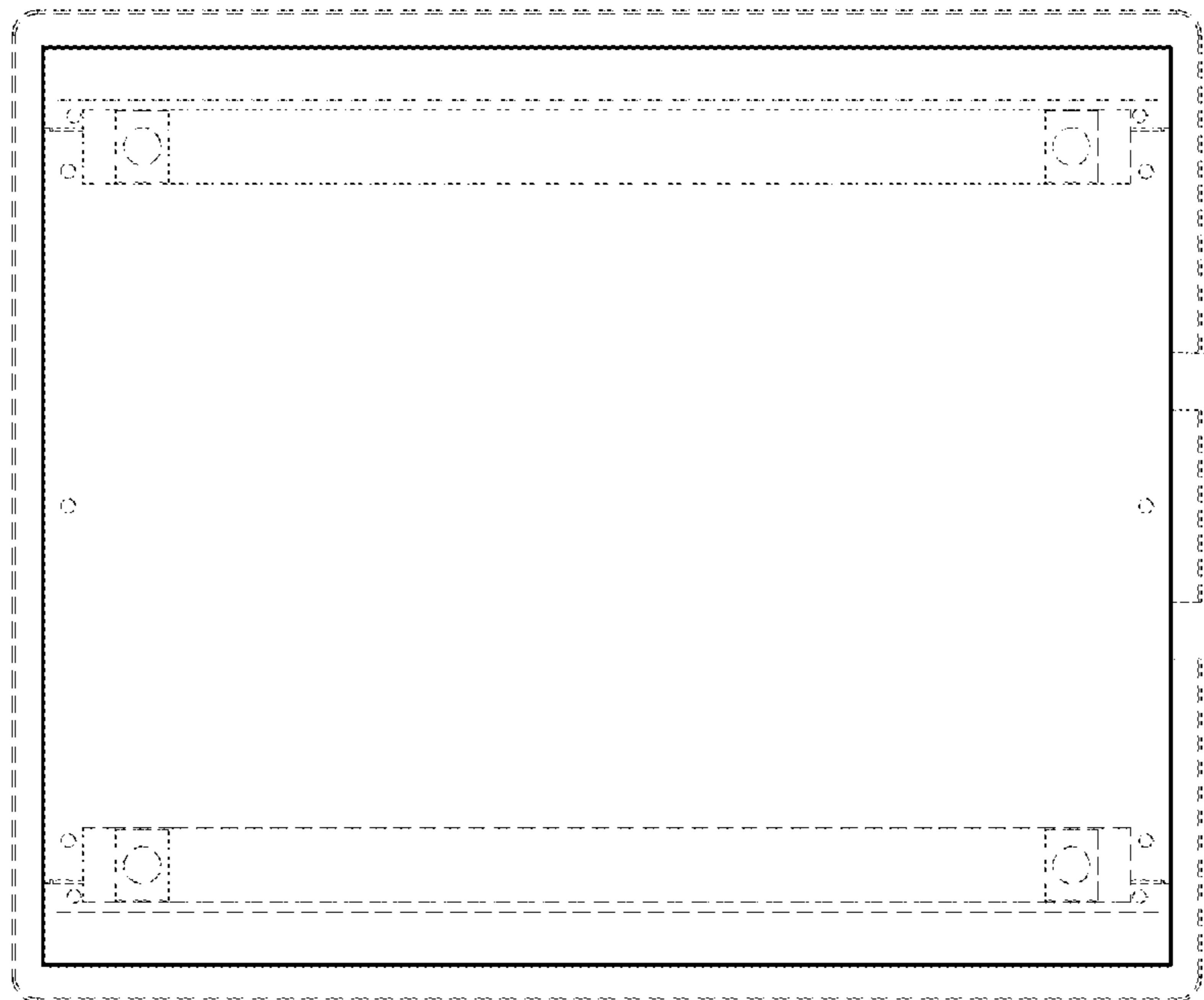


FIG. 12

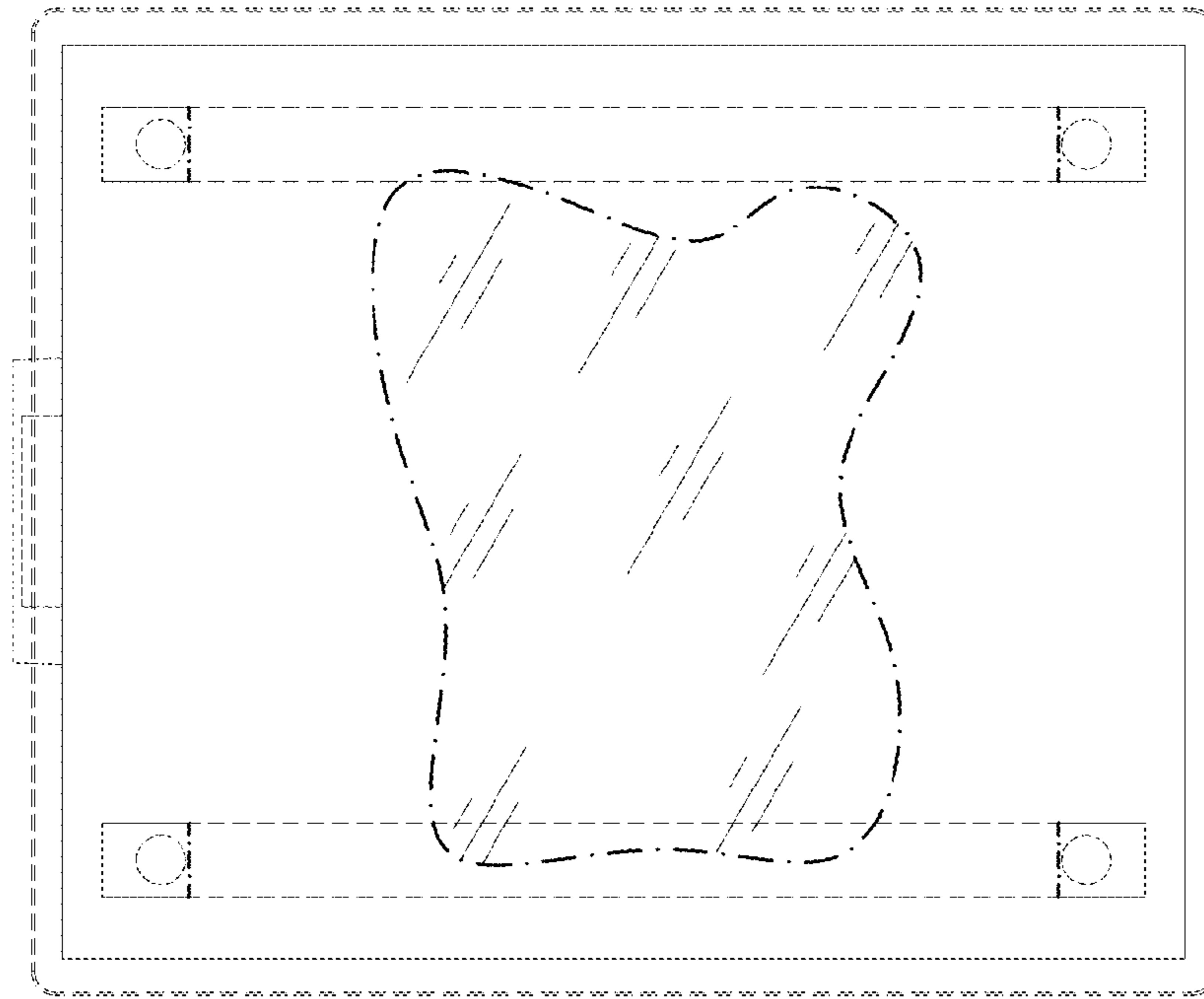


FIG. 13

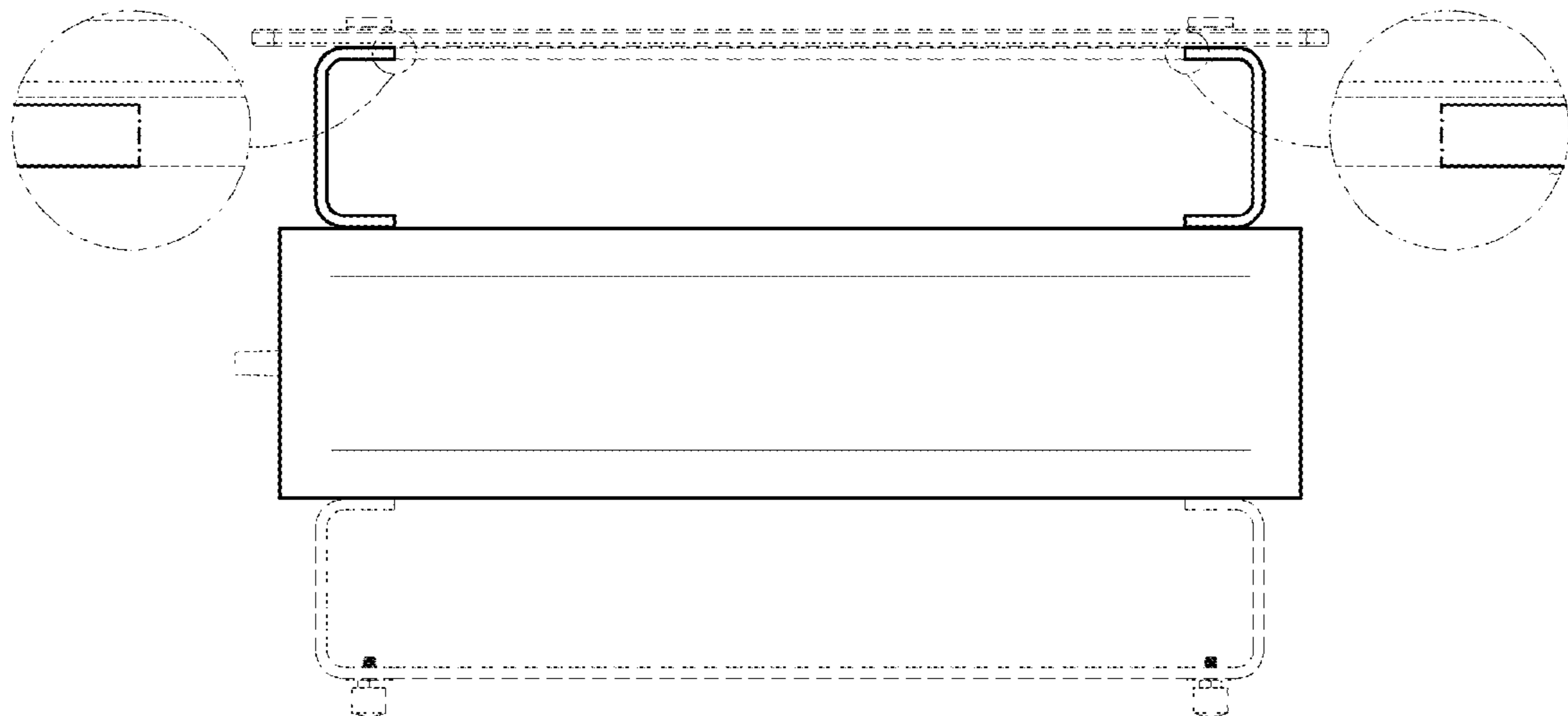


FIG. 14

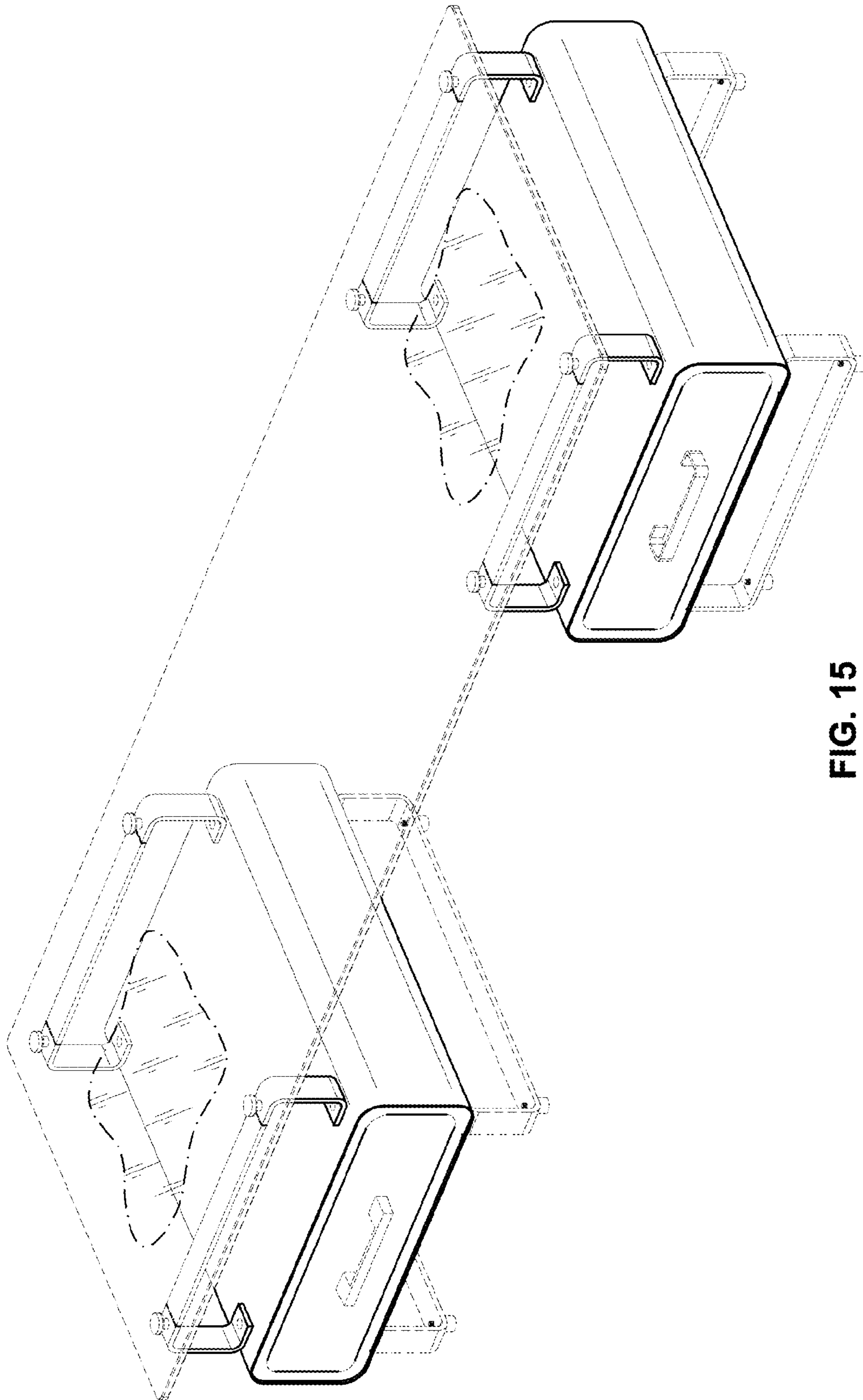


FIG. 15

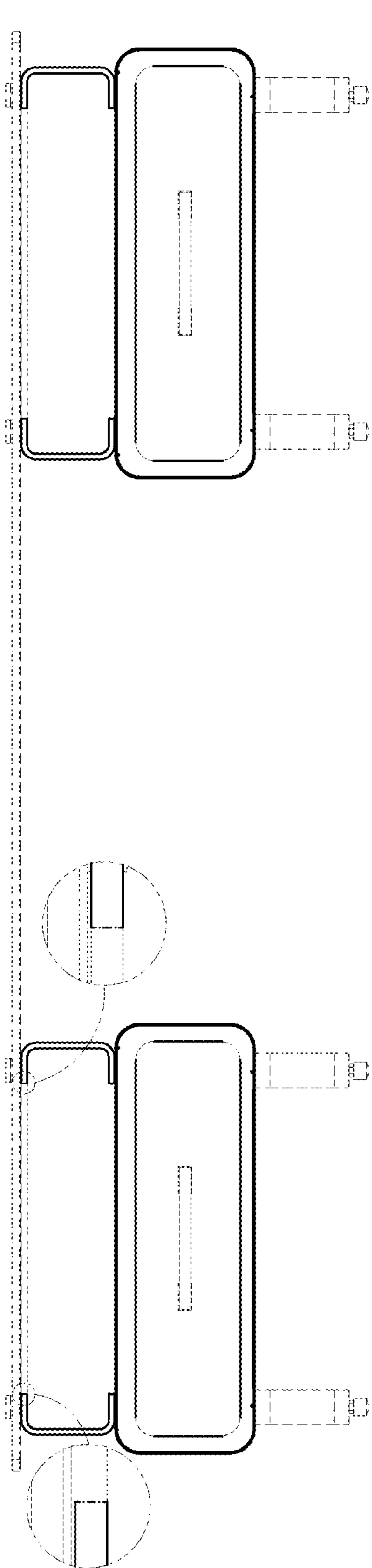


FIG. 16

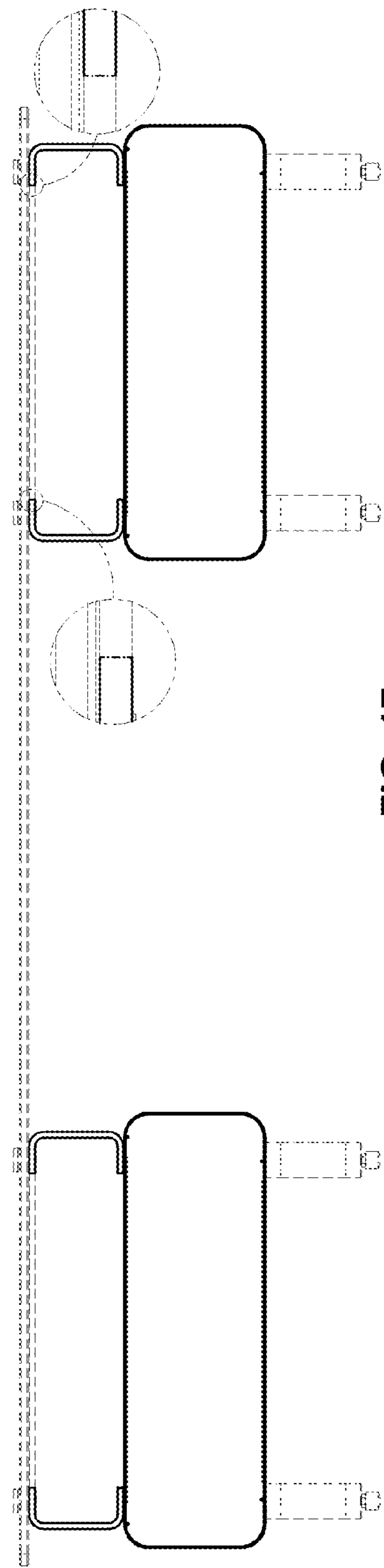


FIG. 17

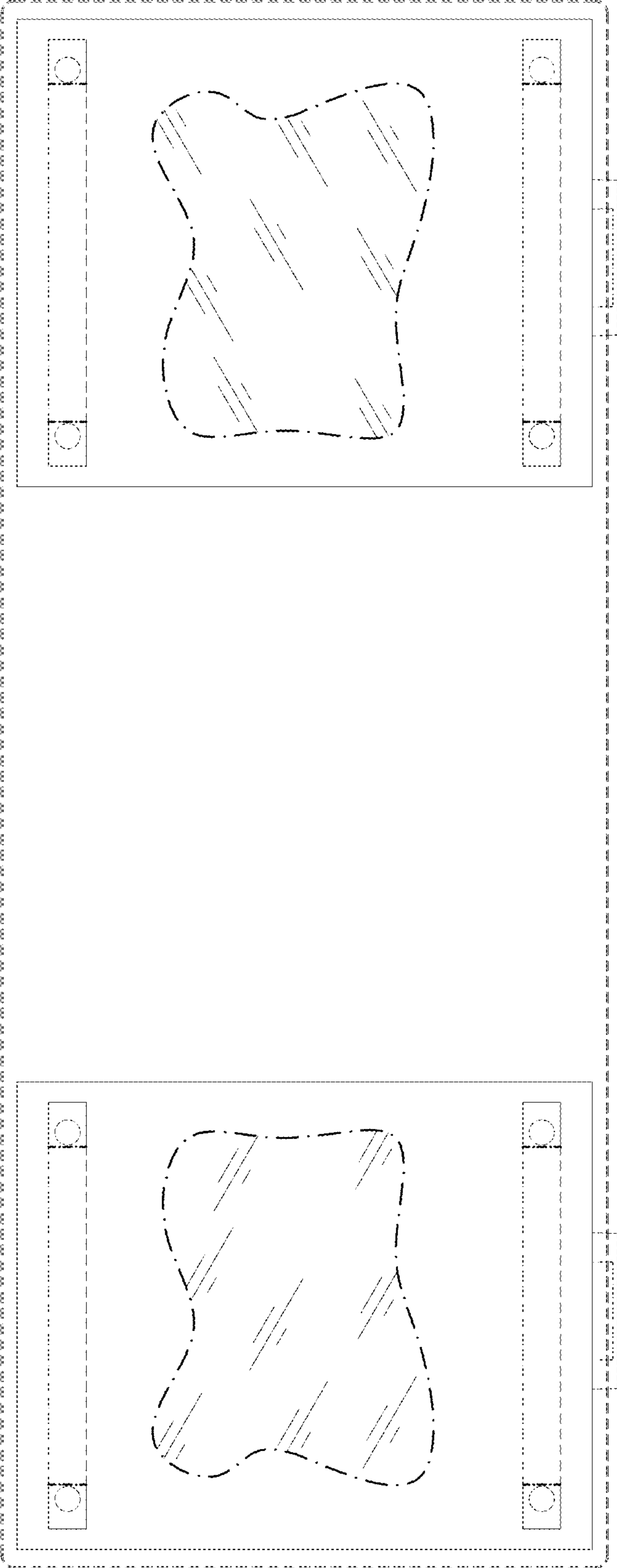


FIG. 18

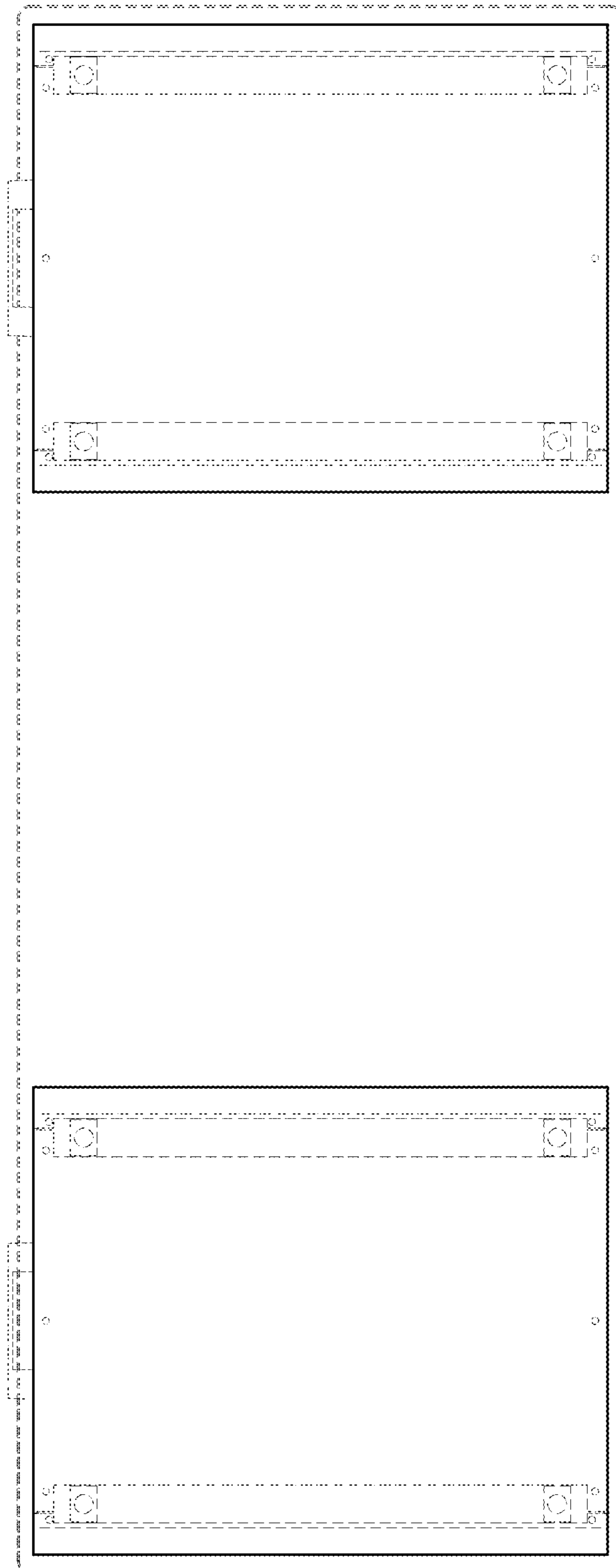


FIG. 19

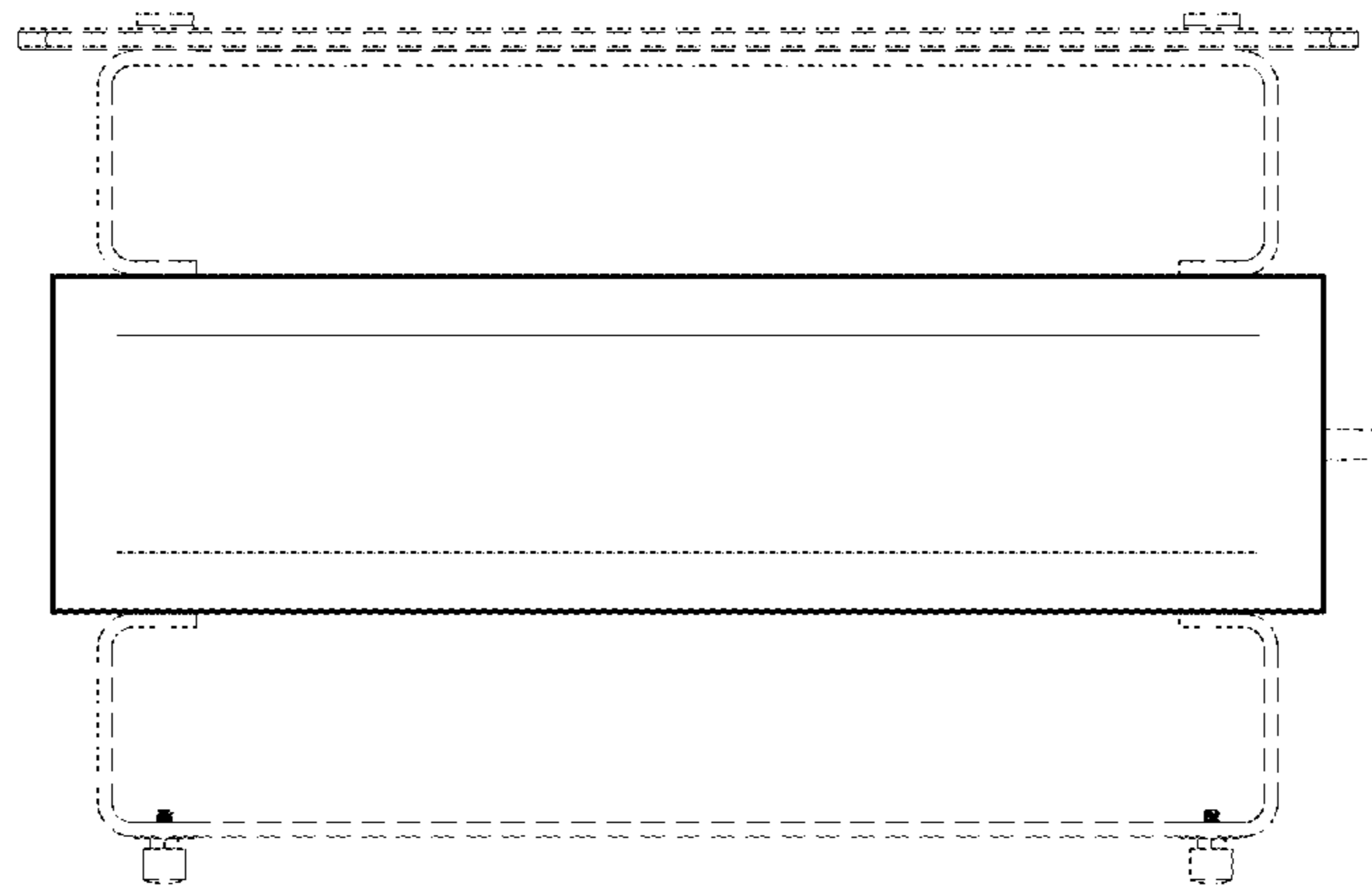


FIG. 20

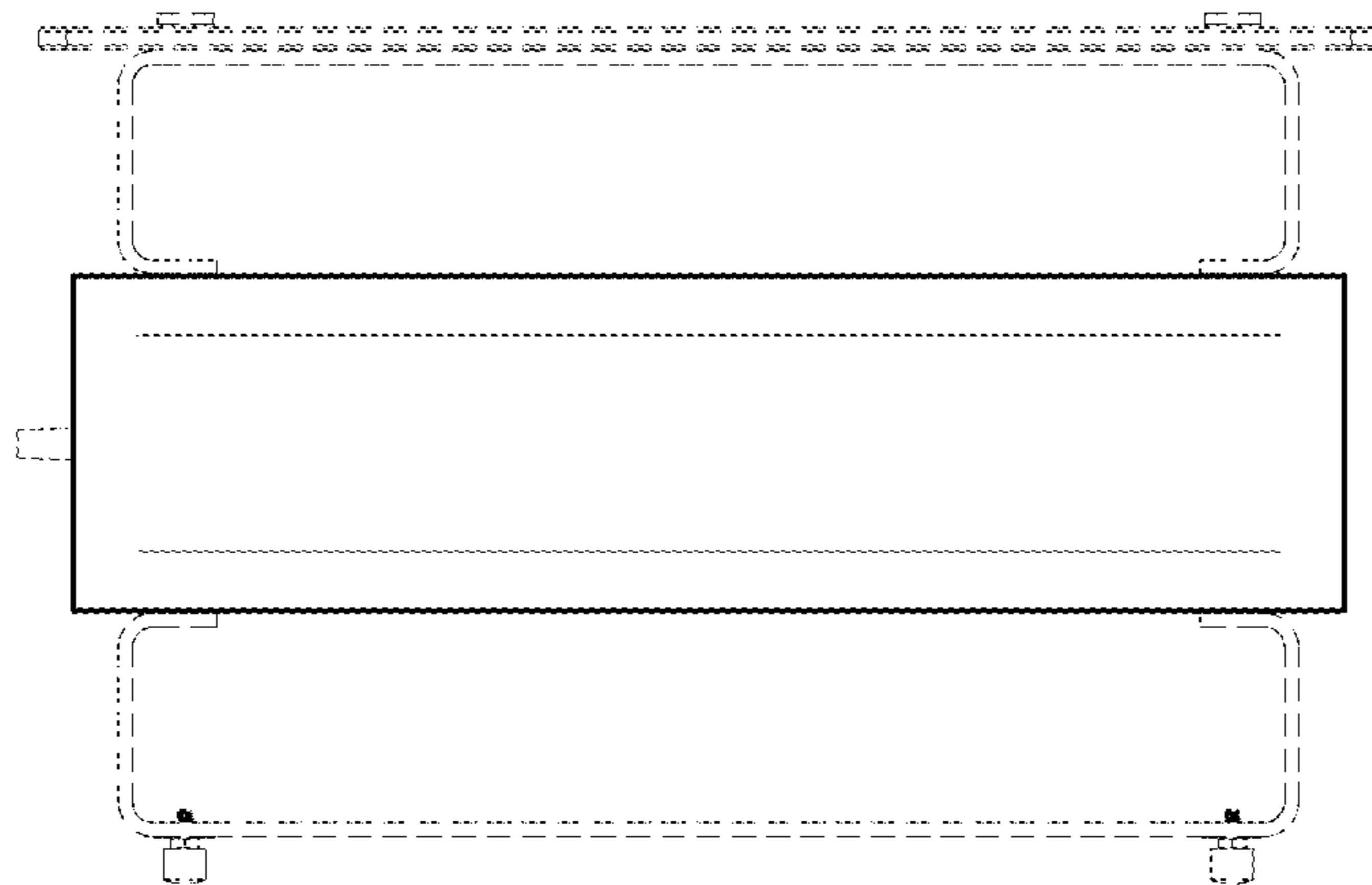


FIG. 21