



US00D744260S

(12) **United States Design Patent**  
**Charette**

(10) **Patent No.:** **US D744,260 S**

(45) **Date of Patent:** **\*\* Dec. 1, 2015**

(54) **LOUVER BRACKET SET**

(71) Applicant: **9143-8010 QUÉBEC INC.**, Shawnigan Sud (CA)

(72) Inventor: **Pierre Charette**, Notre-Dame-du-Mont-Carmel (CA)

(\*\*) Term: **14 Years**

(21) Appl. No.: **29/478,757**

(22) Filed: **Jan. 8, 2014**

(51) **LOC (10) Cl.** ..... **06-10**

(52) **U.S. Cl.**  
USPC ..... **D6/580**

(58) **Field of Classification Search**  
USPC ..... D6/575, 576, 577, 578, 579, 580, 581;  
D8/330, 349, 352, 353, 368, 369, 376,  
D8/381; 160/84.01, 84.02, 84.03, 84.04,  
160/84.05, 84.06, 84.07, 84.08, 107, 108,  
160/111, 321

See application file for complete search history.

(56) **References Cited**

**U.S. PATENT DOCUMENTS**

2,061,548	A *	11/1936	Cameron	.....	160/173 R
2,716,786	A *	9/1955	Moore	.....	49/403
2,860,391	A *	11/1958	Braun	.....	49/403
3,319,695	A *	5/1967	Houmère	.....	160/168.1 V
3,329,196	A *	7/1967	Algie	.....	160/84.01
3,928,937	A *	12/1975	Dovman	.....	49/403
4,938,445	A *	7/1990	Medley	.....	248/300
5,179,802	A *	1/1993	Higton	.....	49/74.1
D373,700	S *	9/1996	Theodorou	.....	D6/580
D599,272	S *	9/2009	Feder	.....	D12/223
D649,863	S *	12/2011	Meyer	.....	D8/354
D666,076	S *	8/2012	Muratore et al.	.....	D8/349

\* cited by examiner

*Primary Examiner* — Karen S Acker  
*Assistant Examiner* — Wendy Arminio

(74) *Attorney, Agent, or Firm* — Welsh Flaxman & Gitler LLC

(57) **CLAIM**

The ornamental design for a louver bracket set, as shown and described.

**DESCRIPTION**

FIG. 1 is a rear view of the louver bracket set shown in a position of use on an unclaimed louver system. The front view is a mirror image of the rear view;

FIG. 2 is an enlarged detail view of area 2 circumscribed within FIG. 1;

FIG. 3 is an enlarged detail view of area 3 circumscribed within FIG. 1;

FIG. 4 is a left side perspective view of the right side of the louver bracket set;

FIG. 5 is a right side perspective view of the right side of the louver bracket set;

FIG. 6 is an enlarged detail view of area 6 circumscribed within FIG. 4;

FIG. 7 is an enlarged detail view of area 7 circumscribed within FIG. 5;

FIG. 8 is an enlarged detail view of area 8 circumscribed within FIG. 4;

FIG. 9 is a perspective view of the louver bracket set shown in a position of use on an unclaimed louver system;

FIG. 10 is an enlarged detail view of area 10 circumscribed within FIG. 9;

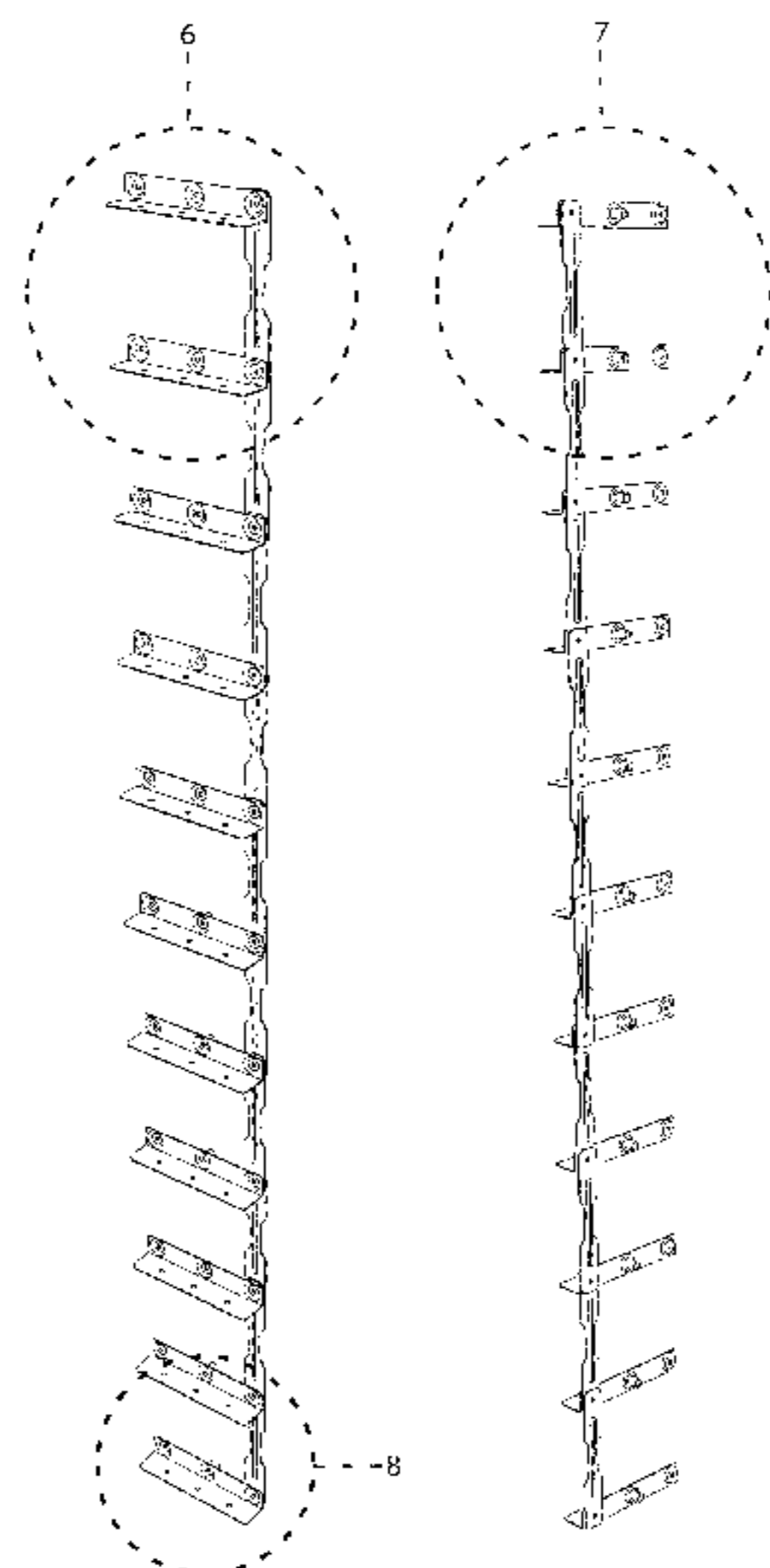
FIG. 11 is an enlarged detail view of area 11 circumscribed within FIG. 9;

FIG. 12 is a perspective view of the louver bracket set shown in use on an unclaimed louver system placed in an open position; and,

FIG. 13 is a perspective view of the louver bracket set shown in use on an unclaimed louver system placed in a closed position.

The broken and dotted lines in FIGS. 1-3 and FIGS. 13-17 represent environmental subject matter that forms no part of the claimed design. The broken lines circumscribing the areas of the details form no part of the claimed design.

**1 Claim, 12 Drawing Sheets**



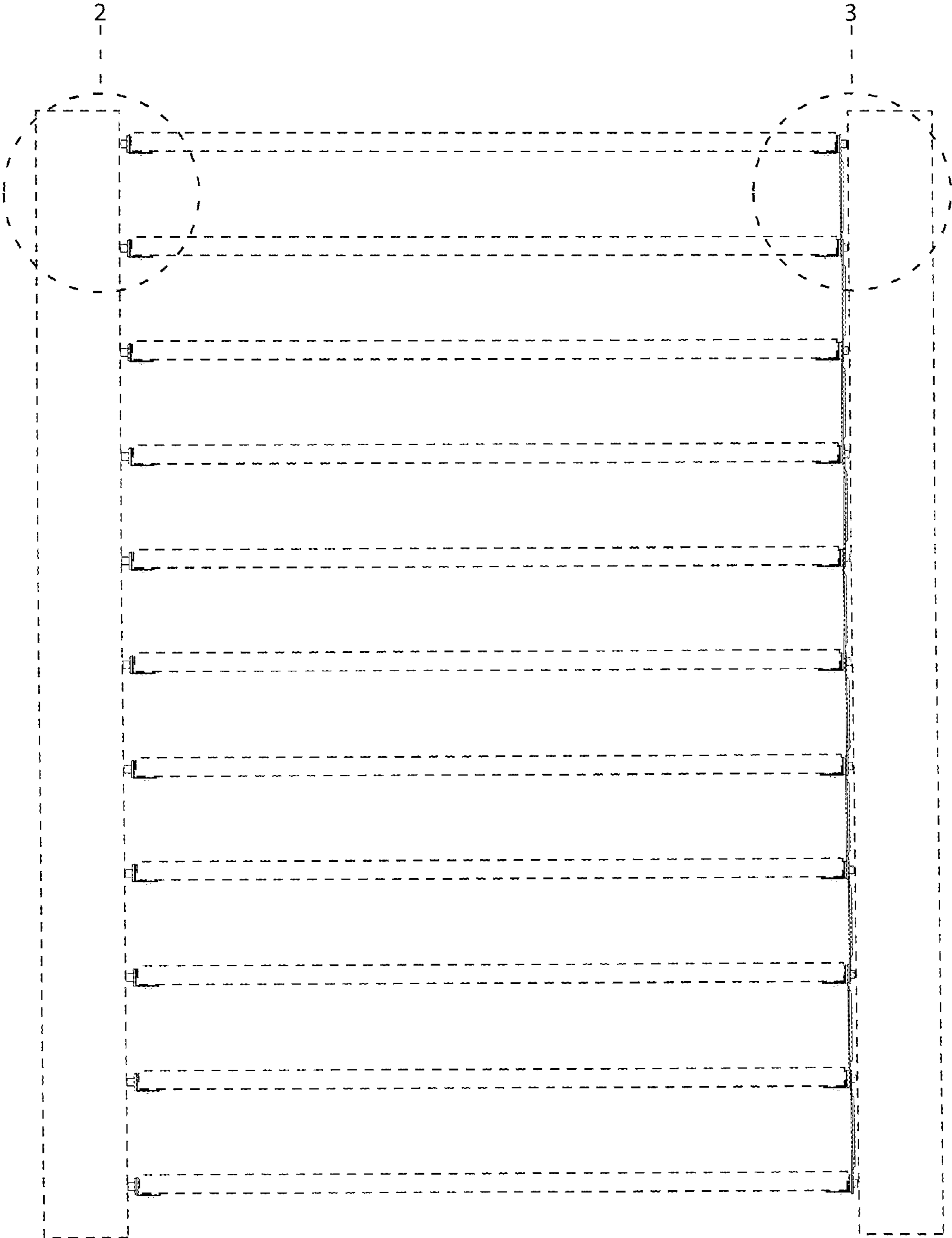


FIGURE 1

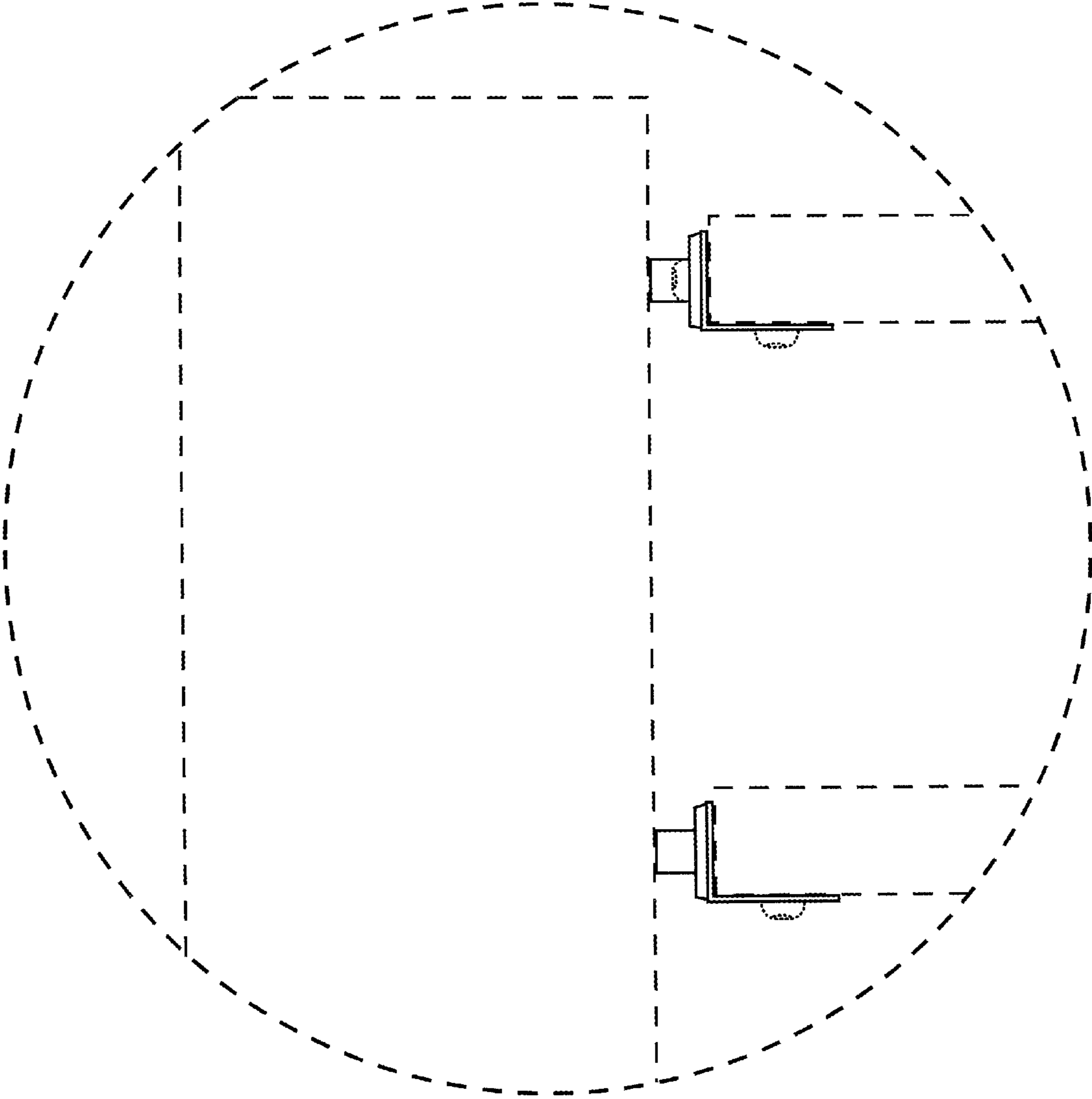


FIGURE 2

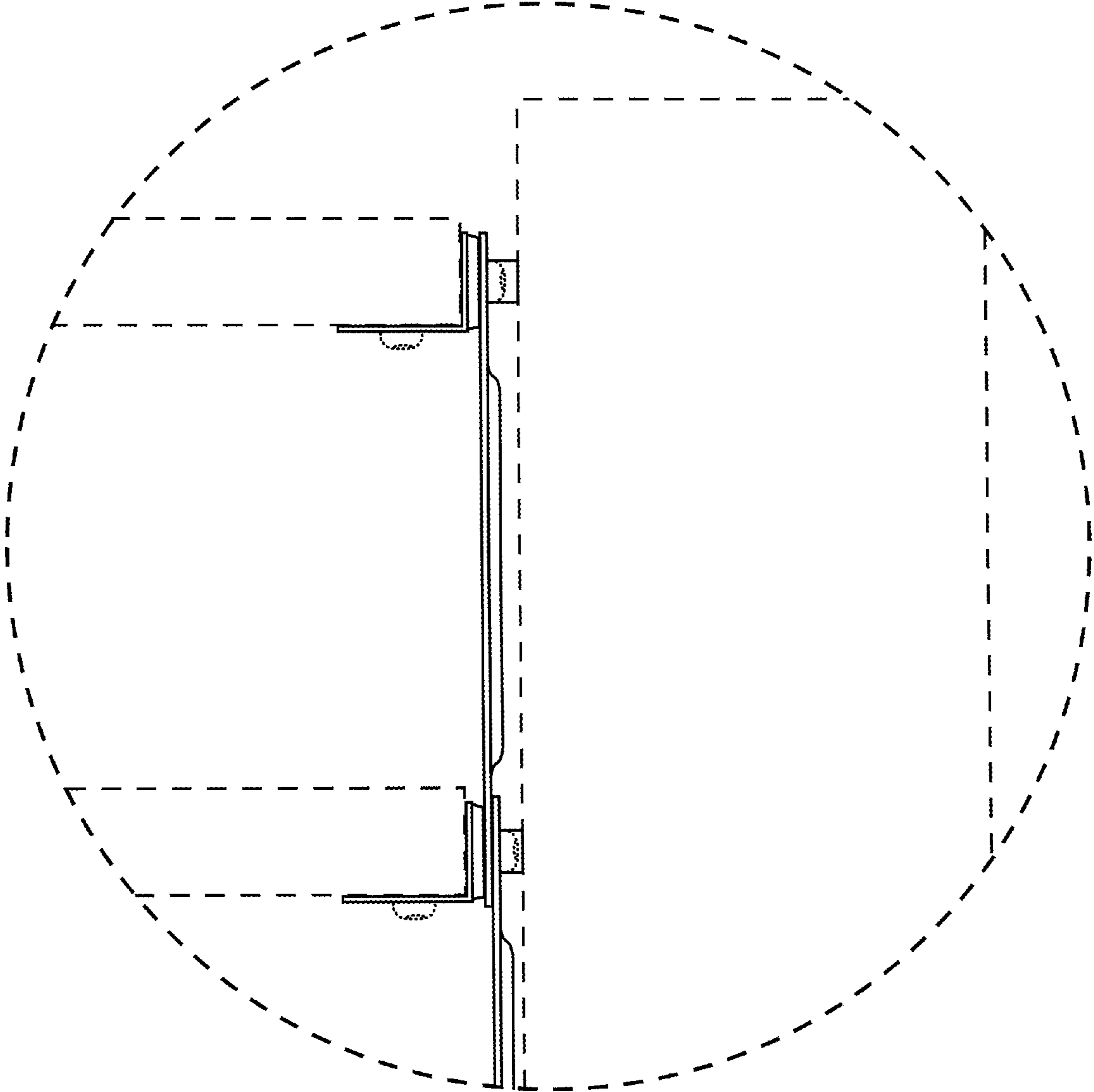


FIGURE 3

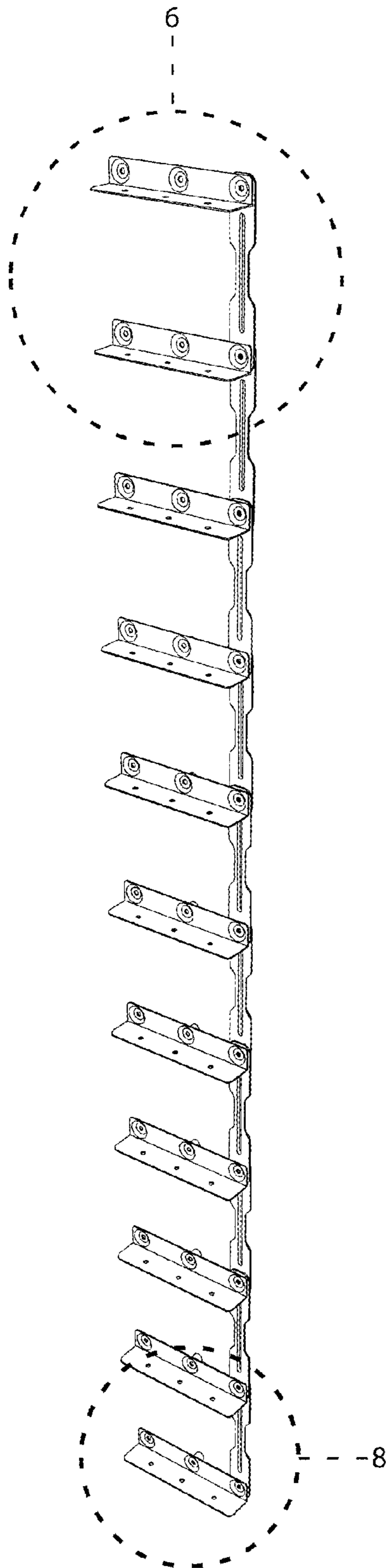


FIGURE 4

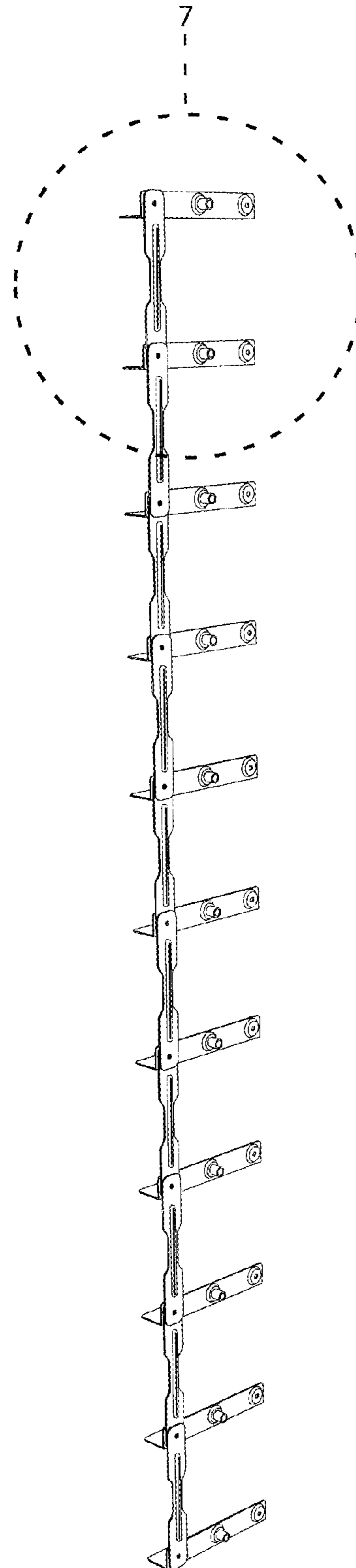


FIGURE 5

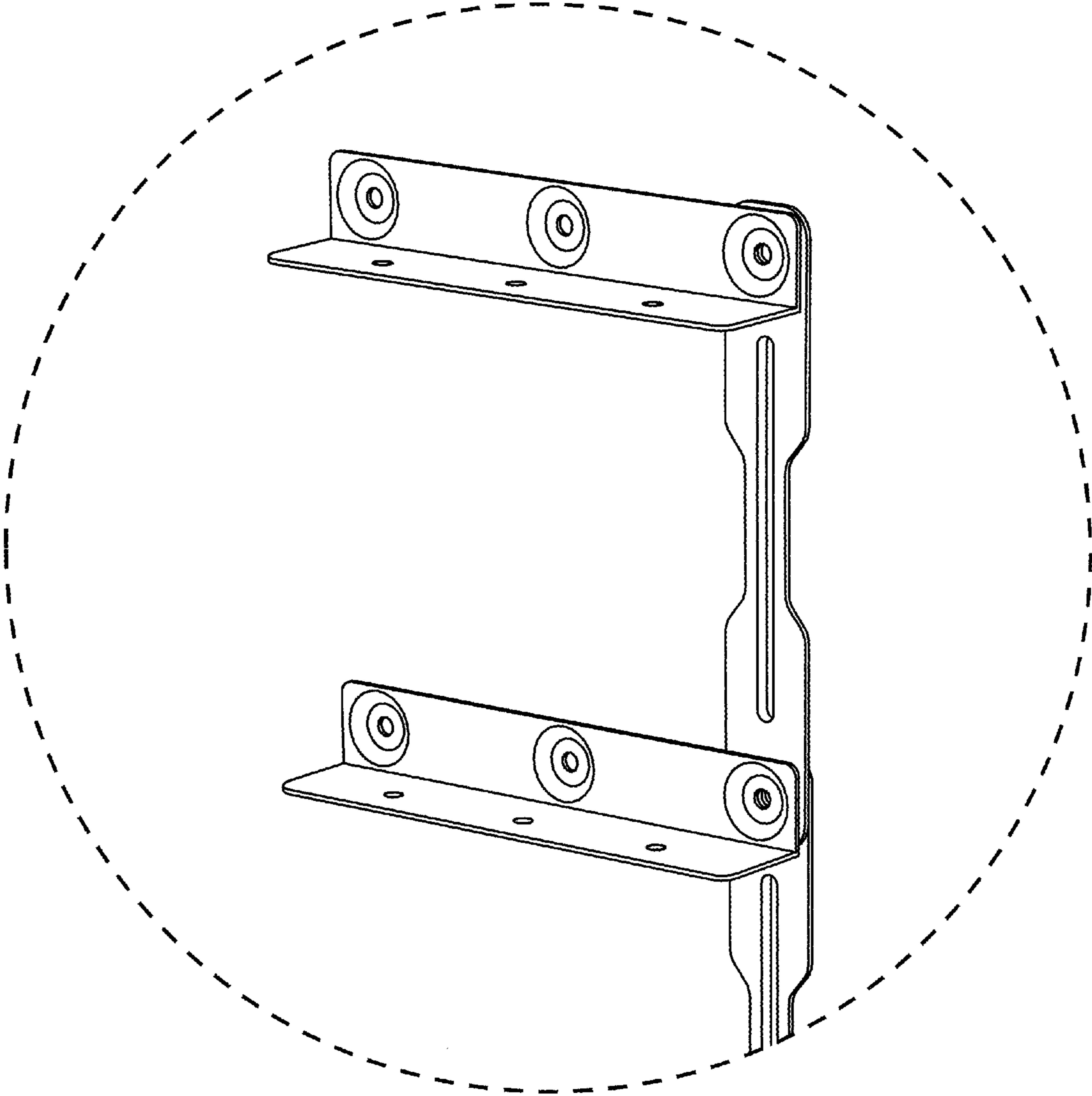


FIGURE 6



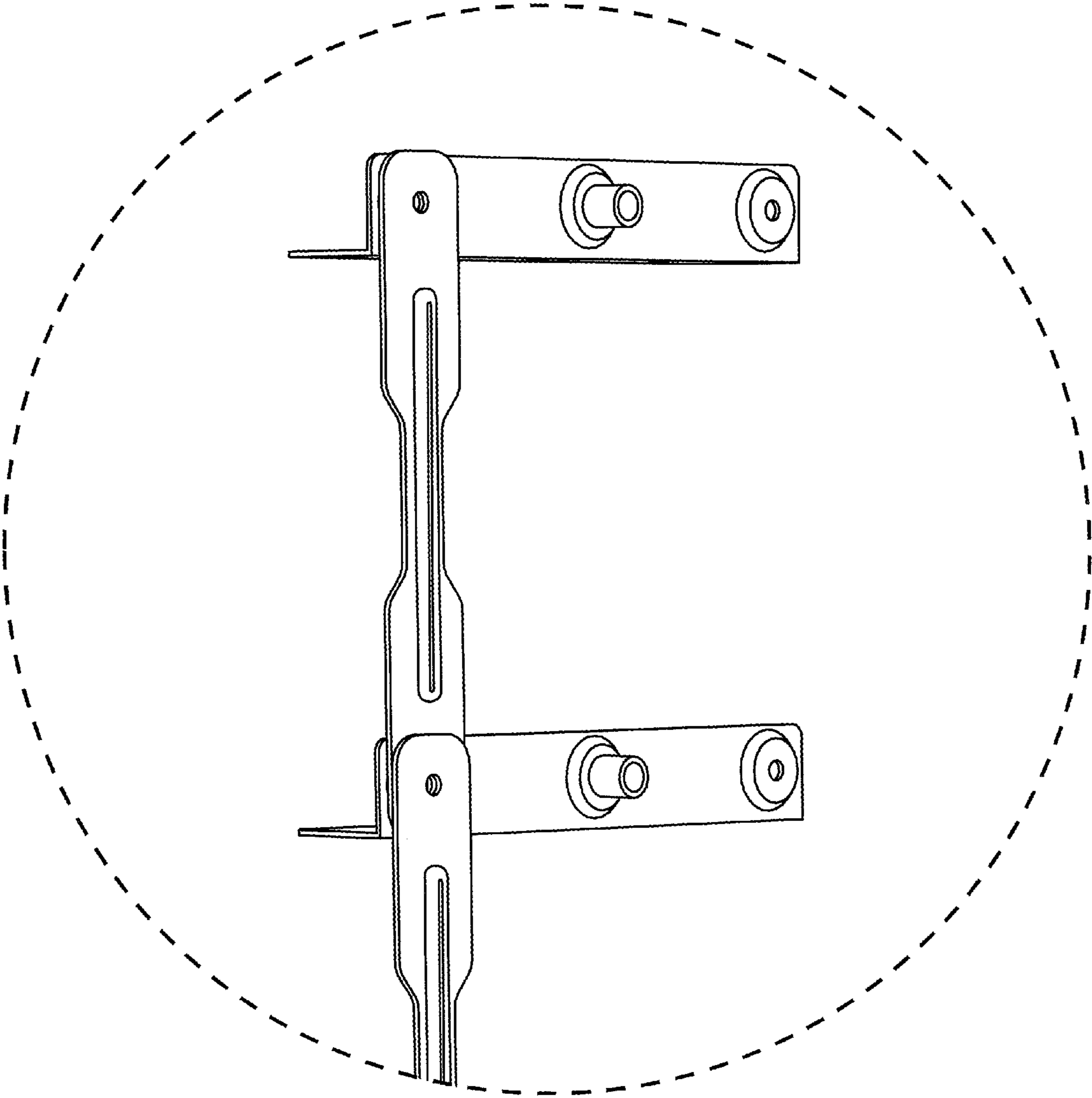


FIGURE 7

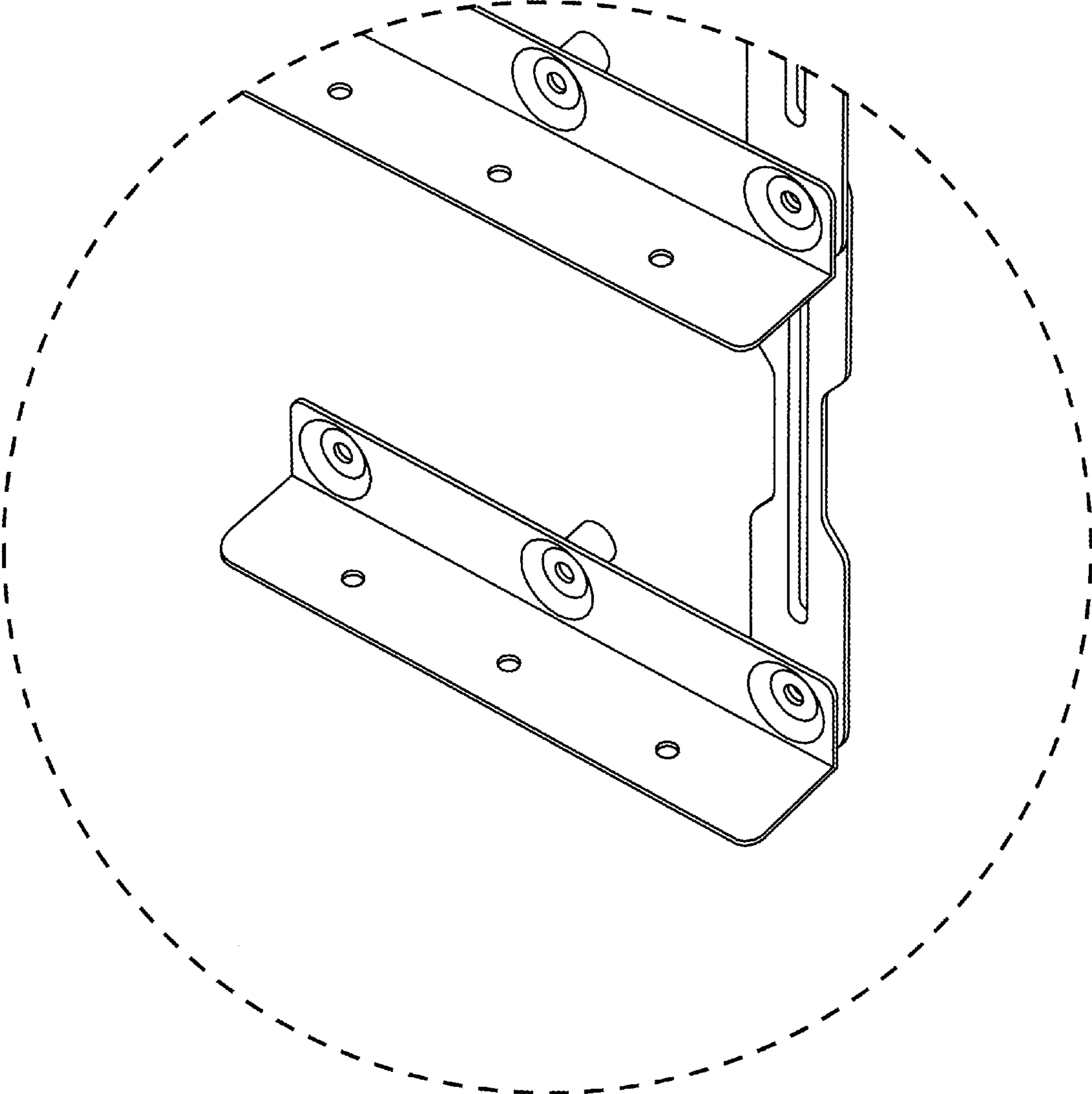


FIGURE 8



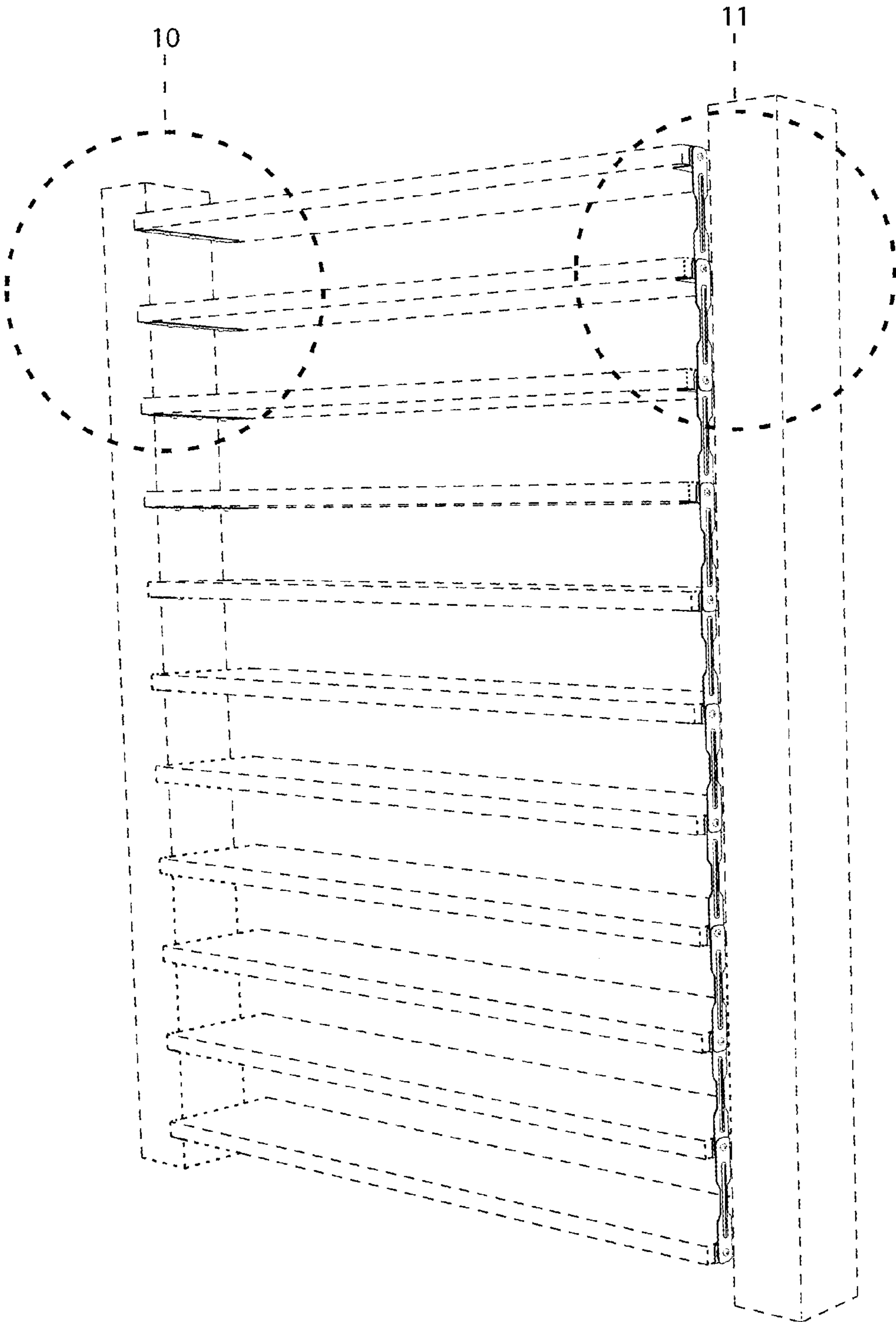


FIGURE 9

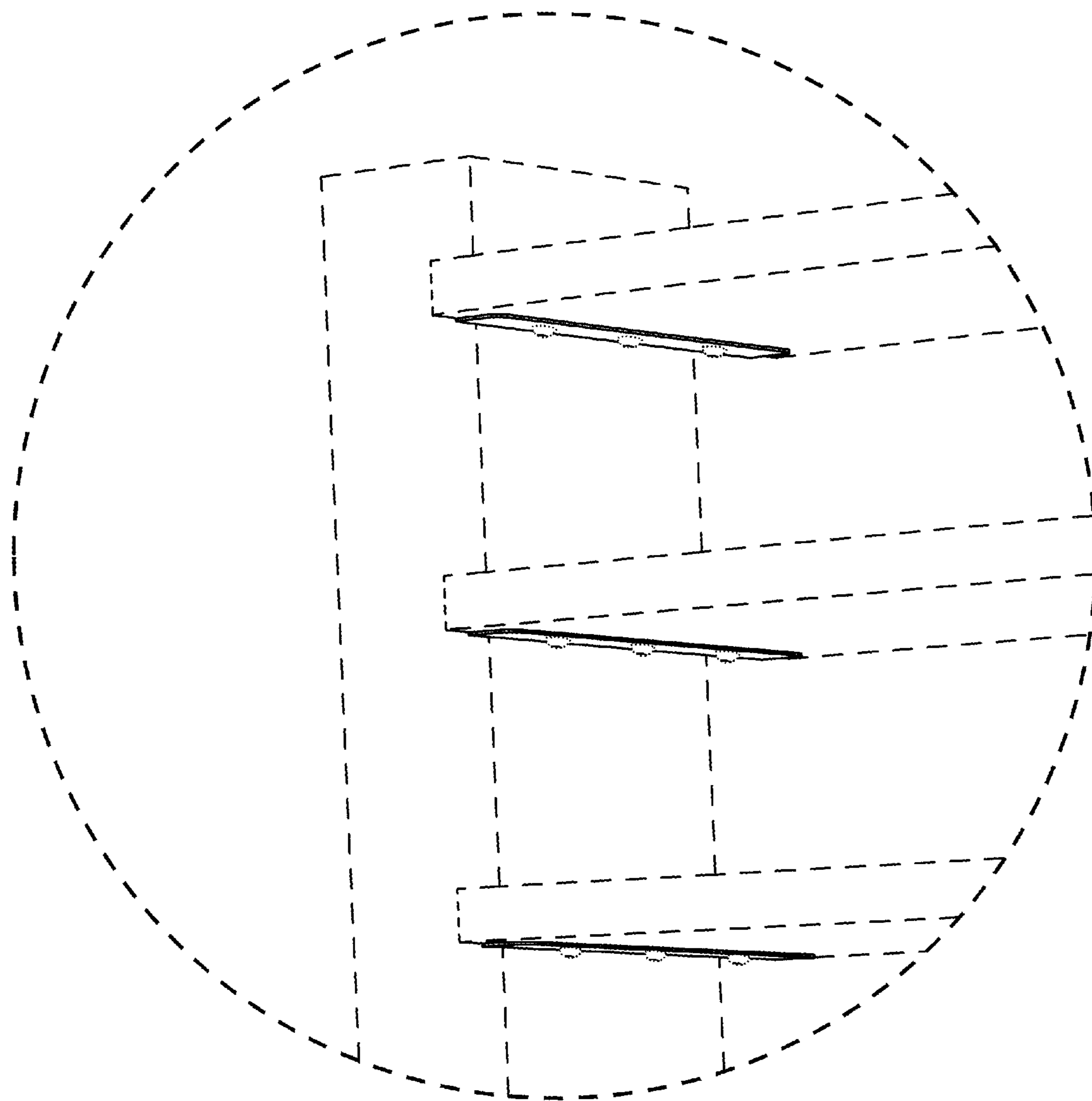


FIGURE 10

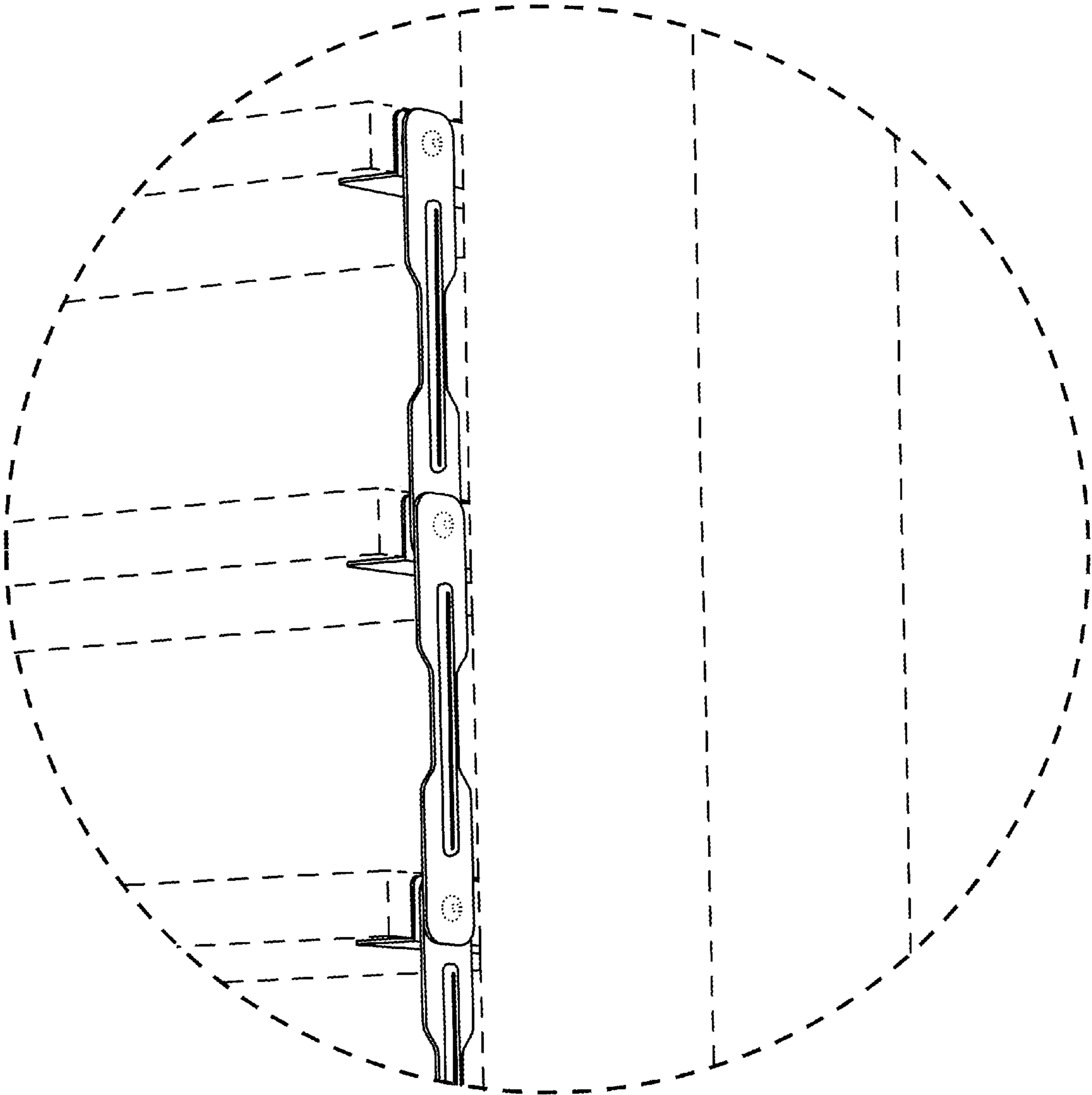


FIGURE 11

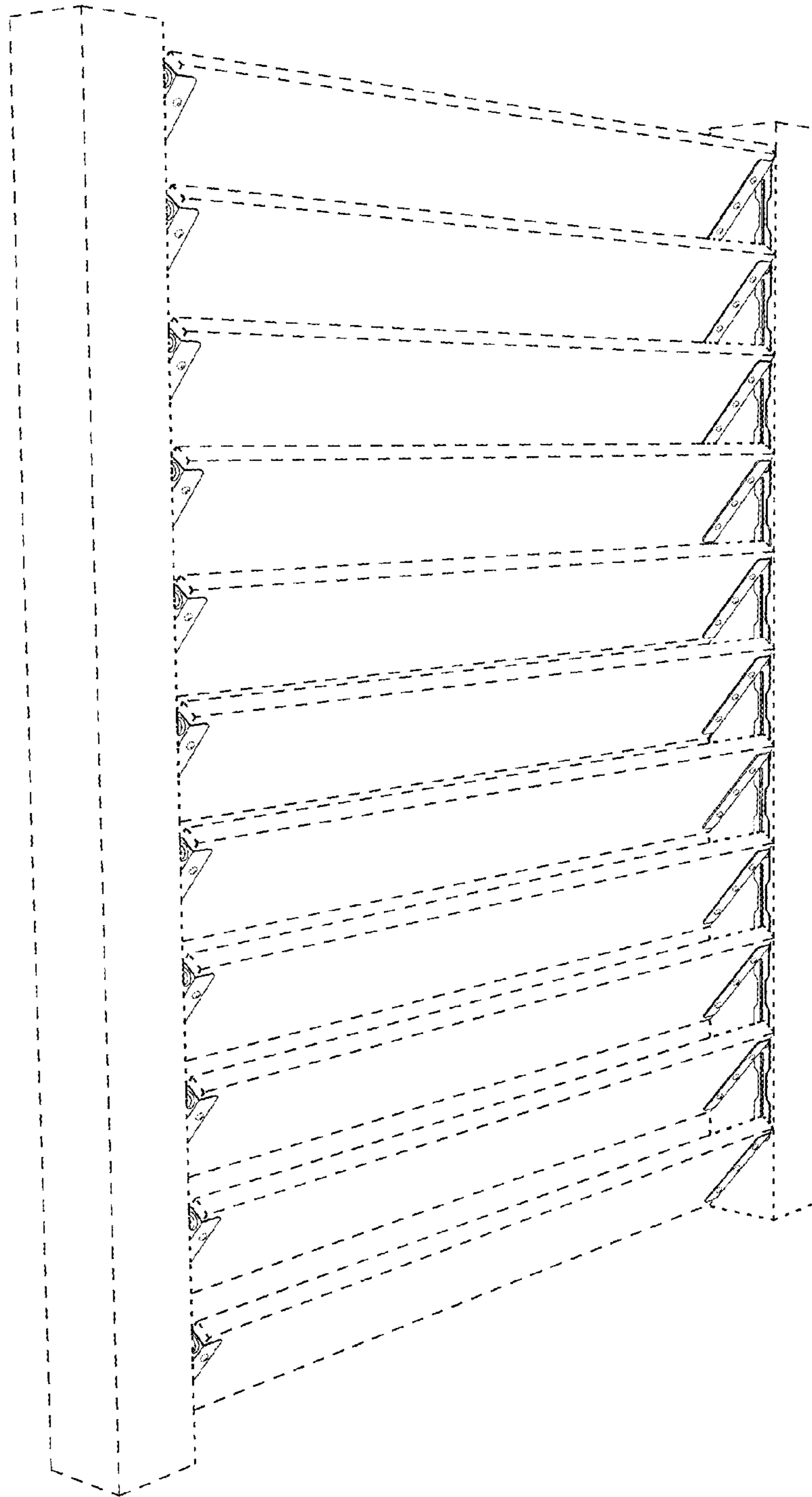


FIGURE 12

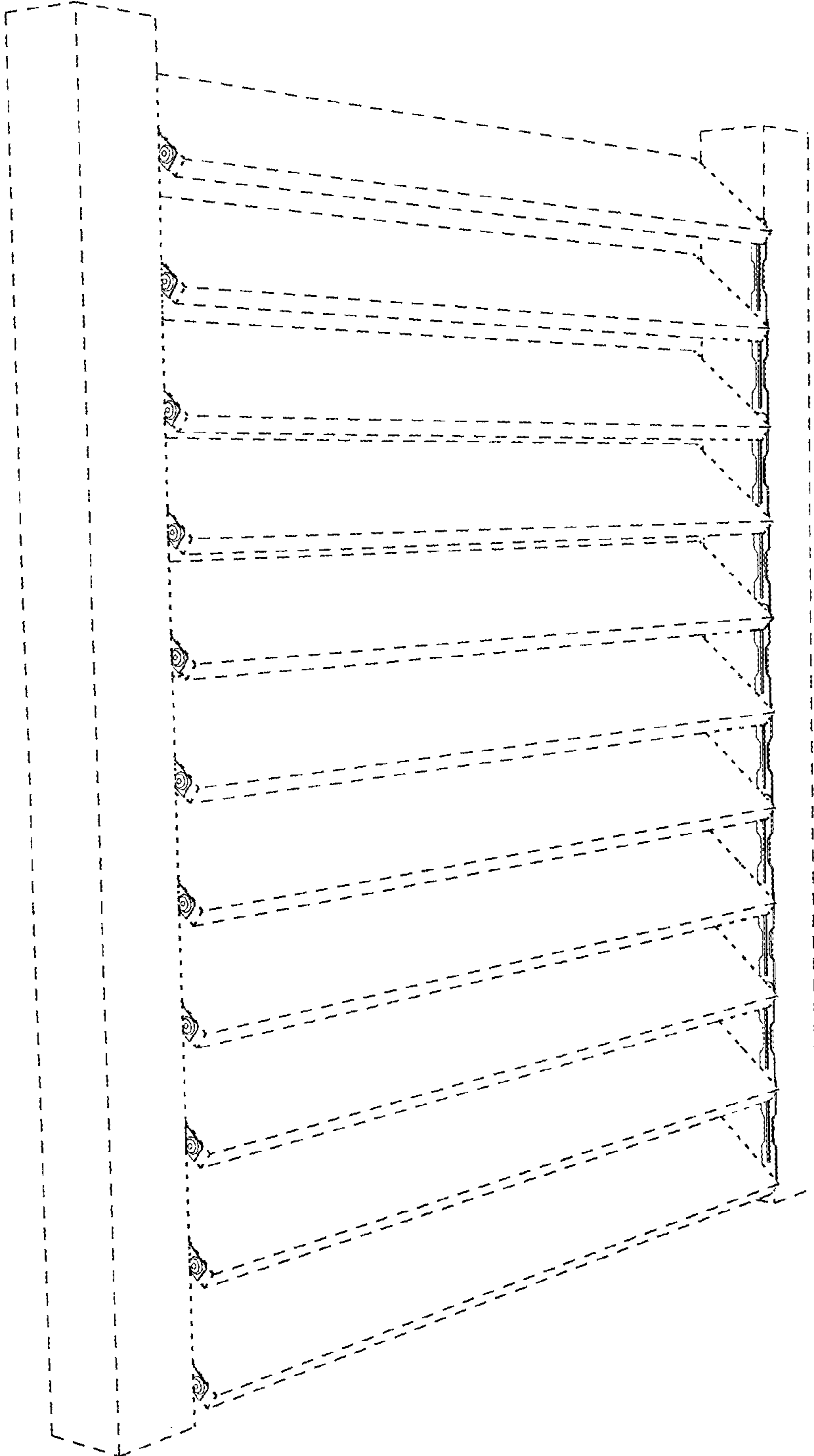


FIGURE 13