



US00D744257S

(12) **United States Design Patent**
Fagan

(10) **Patent No.:** **US D744,257 S**
(45) **Date of Patent:** **** Dec. 1, 2015**

(54) **PLANTER SUPPORT**

(71) Applicant: **Russell Thomas Fagan**, Chester, NJ
(US)

(72) Inventor: **Russell Thomas Fagan**, Chester, NJ
(US)

(**) Term: **14 Years**

(21) Appl. No.: **29/490,914**

(22) Filed: **May 15, 2014**

Related U.S. Application Data

(63) Continuation of application No. 12/748,238, filed on
Mar. 26, 2010, now abandoned.

(51) **LOC (10) Cl.** **11-02**

(52) **U.S. Cl.**
USPC **D6/403**

(58) **Field of Classification Search**
USPC D3/304, 305, 310, 311, 315, 306;
D6/403, 404, 405, 556, 557, 558;
D7/560, 561, 562, 565, 584, 585, 586,
D7/587, 588; D9/424, 428, 429;
D11/143-156, 164

CPC A01G 9/00; A01G 9/003; A01G 9/02;
A01G 9/021; A01G 9/022; A01G 9/026;
A01G 9/104; A01G 9/027; A01G 9/028;
A01G 9/023

See application file for complete search history.

(56) **References Cited**

U.S. PATENT DOCUMENTS

1,830,769 A * 11/1931 Rothermel 248/154
2,203,632 A * 6/1940 Munson et al. 248/146

D191,058 S * 8/1961 Jones D7/584
3,076,289 A 2/1963 Gallo
3,076,290 A 2/1963 Gallo
4,151,680 A 5/1979 Sena
5,159,780 A 11/1992 Molthen
5,309,671 A 5/1994 Byun
D361,632 S * 8/1995 Ratia D26/10
5,448,854 A 9/1995 Hirsch et al.
5,511,342 A 4/1996 Maso
5,632,460 A * 5/1997 Strickland 248/146
5,822,918 A 10/1998 Helfman et al.
D425,327 S * 5/2000 Levesque D6/403
D504,789 S * 5/2005 Hayes D6/403
7,373,753 B1 5/2008 Caruso
7,412,798 B2 8/2008 Boxsell
D592,425 S * 5/2009 Low D6/462
D630,125 S * 1/2011 Vogt D11/164
2008/0083162 A1 4/2008 Vandyken

* cited by examiner

Primary Examiner — Elizabeth Albert

(74) *Attorney, Agent, or Firm* — Kacvinsky Daisak Bluni
PLLC

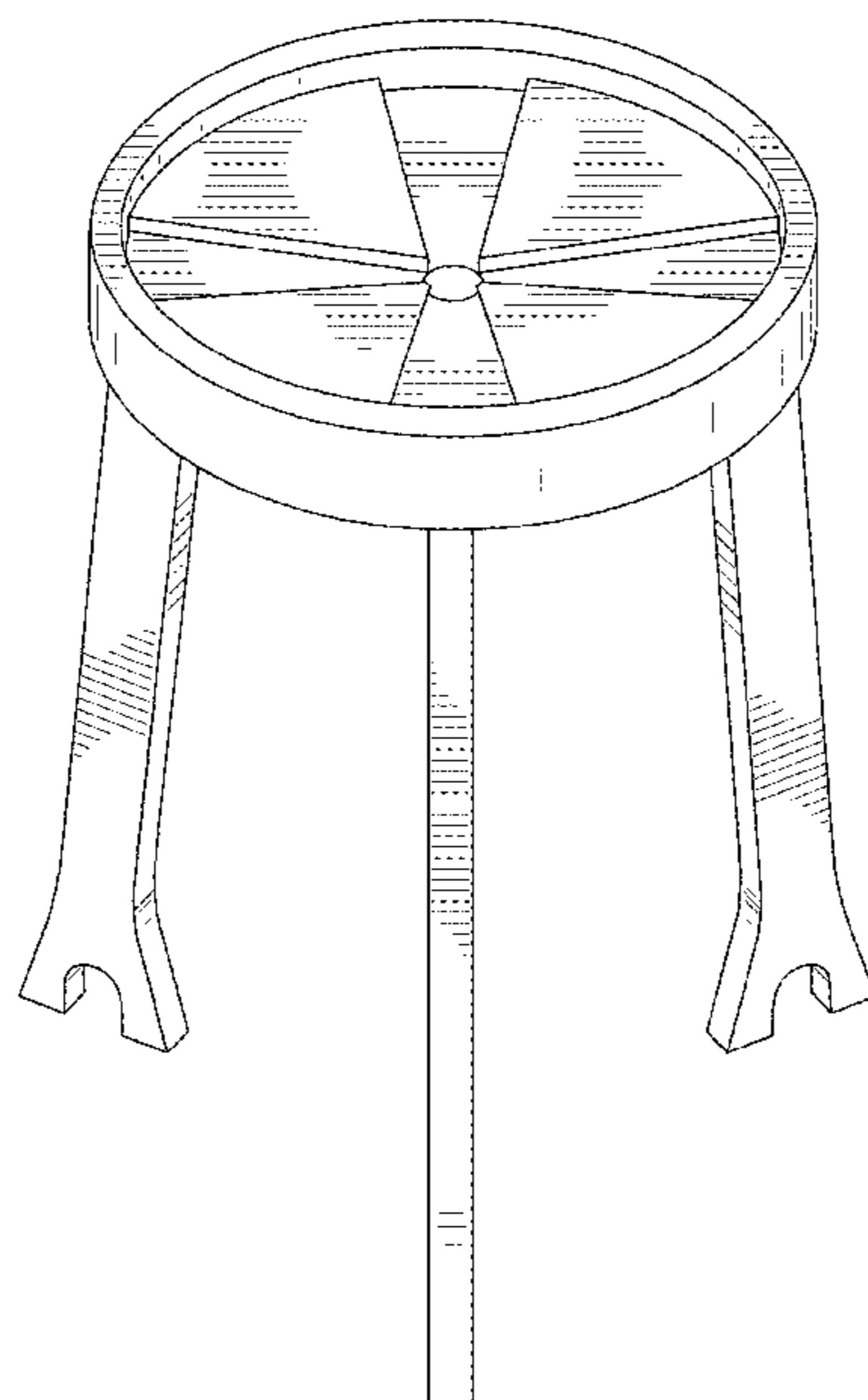
(57) **CLAIM**

The ornamental design for a planter support, as shown and
described.

DESCRIPTION

FIG. 1 is a perspective view of my new design;
FIG. 2 is a side view of the design of FIG. 1;
FIG. 3 is a top view of the design of FIG. 1; and,
FIG. 4 is an exploded perspective view thereof.
The broken lines showing planters and another planter sup-
port are included for the purpose of showing features that
form no part of the claimed design.

1 Claim, 4 Drawing Sheets



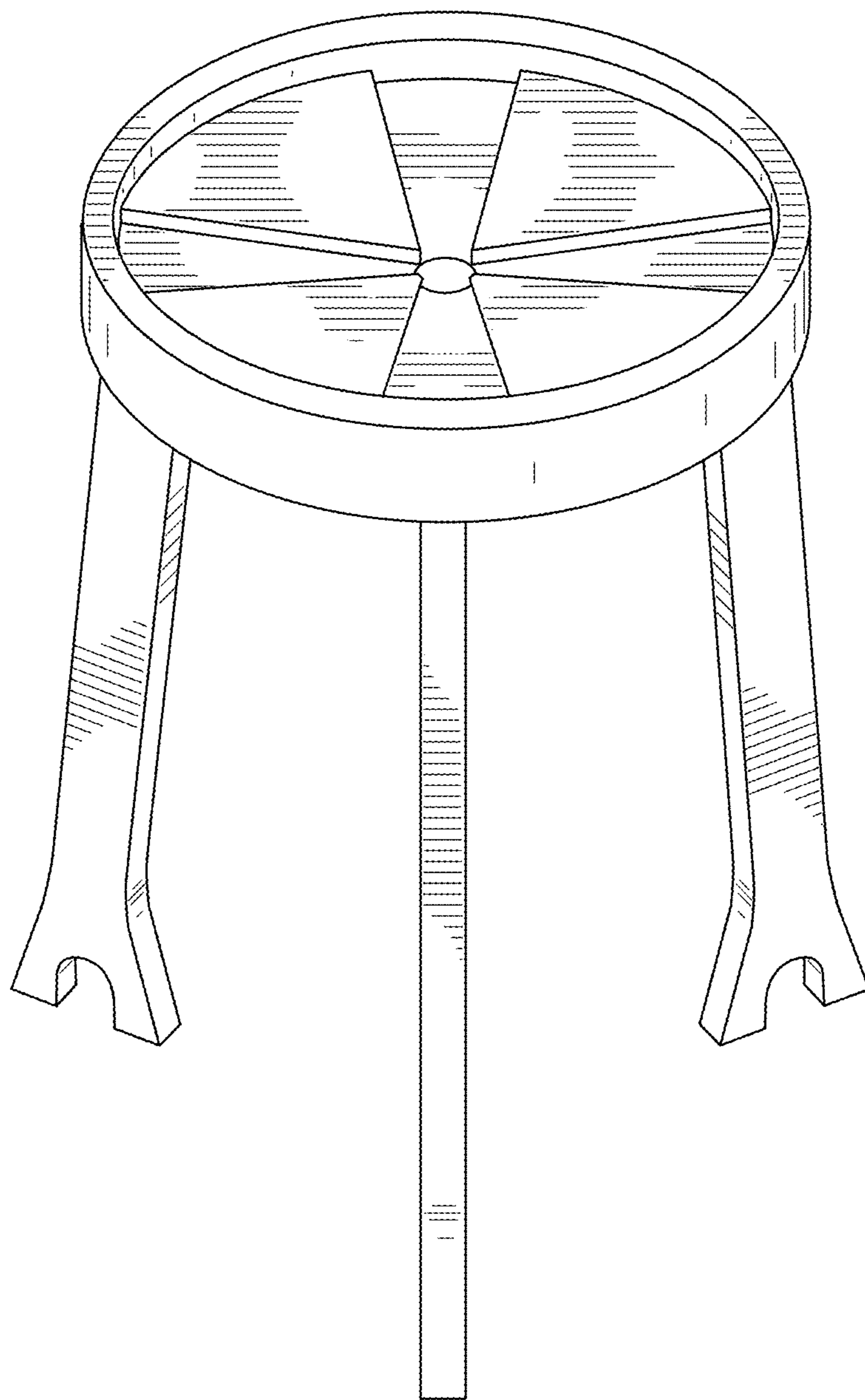


FIG. 1

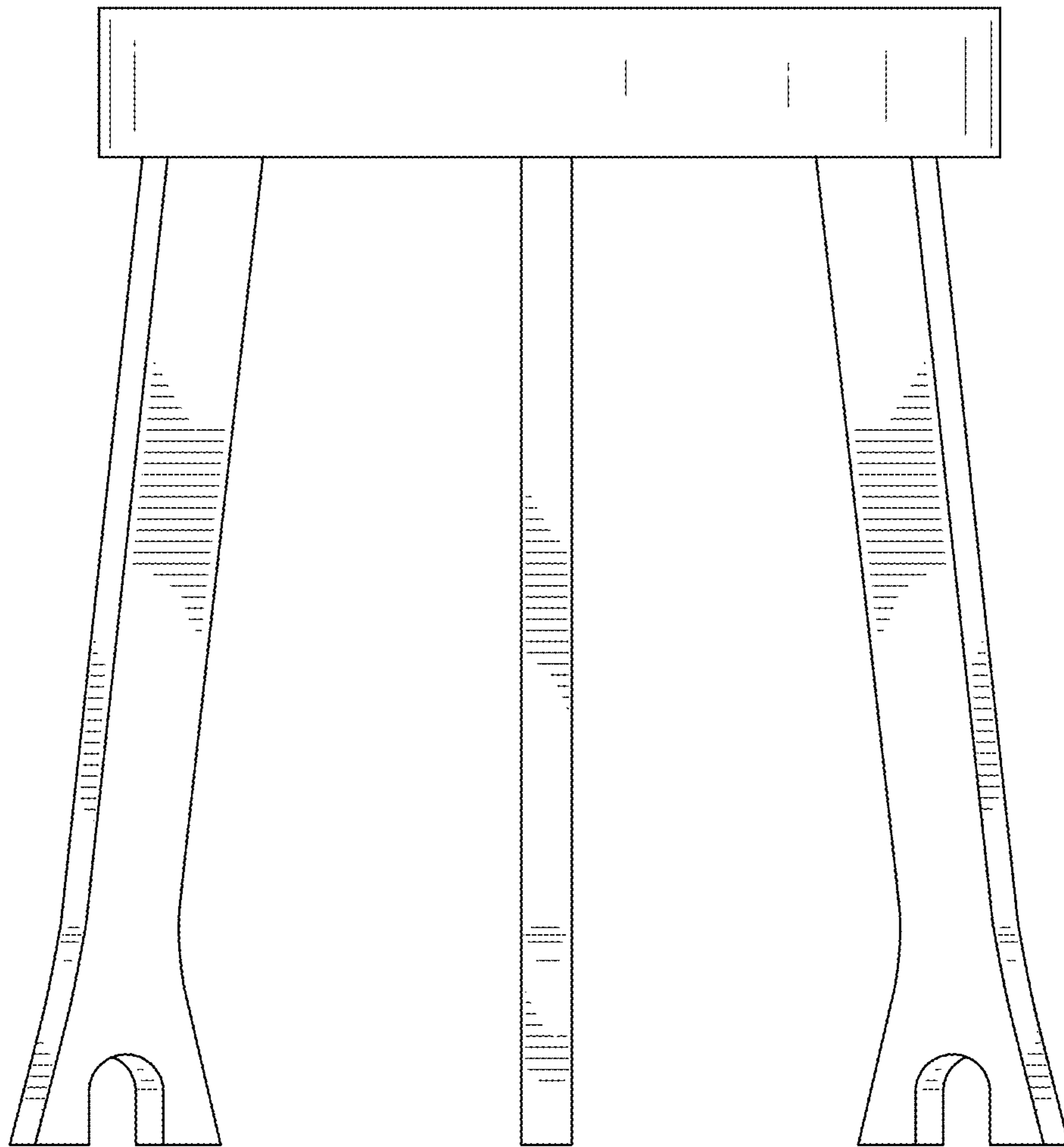


FIG. 2

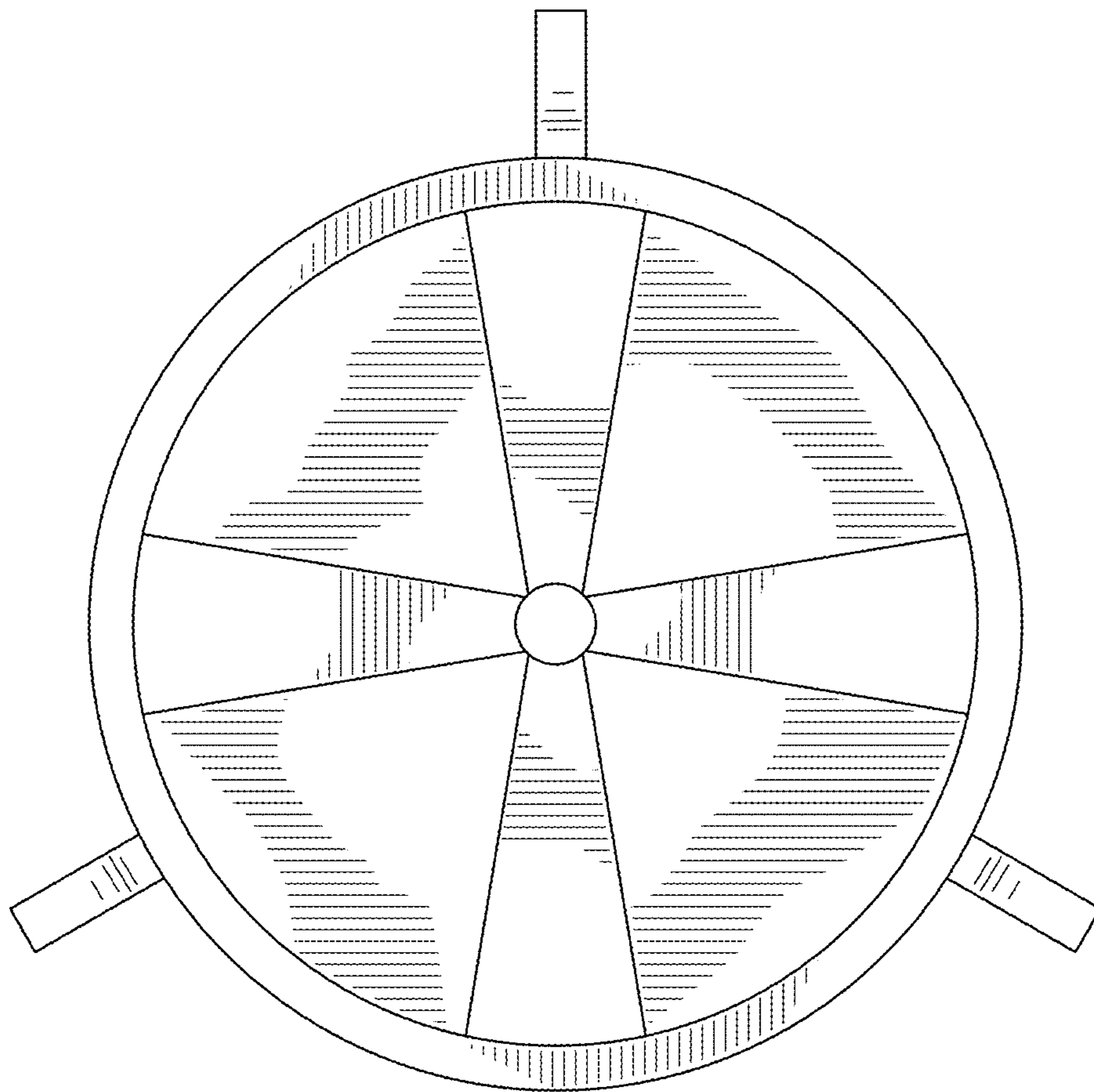


FIG. 3

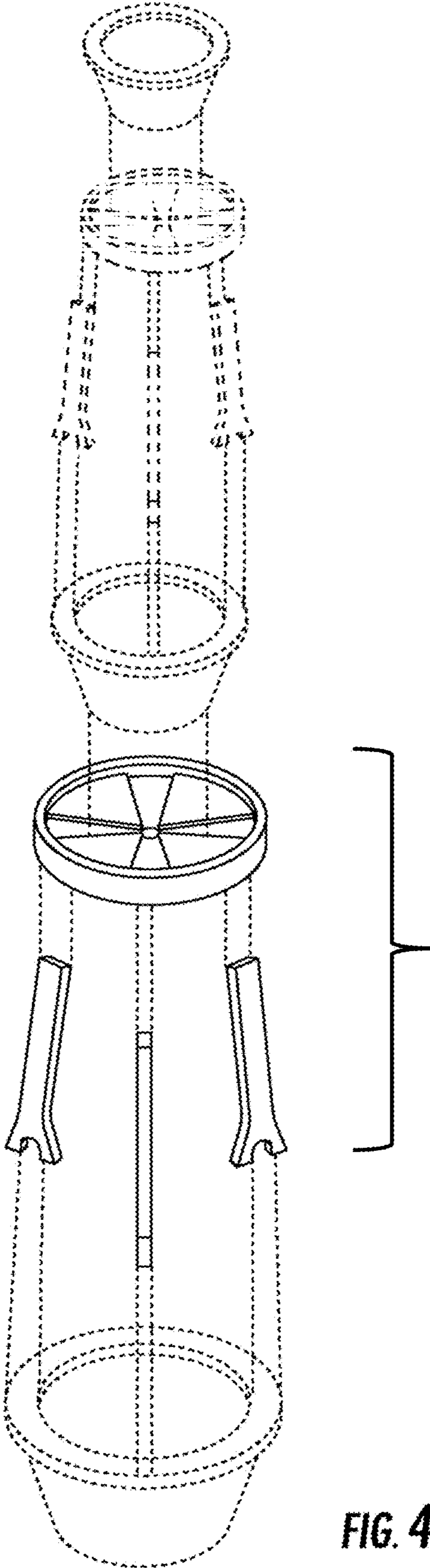


FIG. 4