

US00D744243S

(12) **United States Design Patent**
Harrington et al.

(10) **Patent No.:** **US D744,243 S**
(45) **Date of Patent:** **** Dec. 1, 2015**

(54) **BRUSH HANDLE**
(71) Applicant: **Unger Marketing International, LLC**,
Bridgeport, CT (US)
(72) Inventors: **William Harrington**, Charlestown, RI
(US); **James M. Buckley**, New Hartford,
CT (US)
(73) Assignee: **Unger Marketing International, LLC**,
Bridgeport, CT (US)
(**) Term: **14 Years**

4,721,021 A 1/1988 Kuszniir
4,739,536 A 4/1988 Bandera et al.
D296,946 S 7/1988 Stirling
4,974,286 A 12/1990 Stowell et al.
D333,239 S * 2/1993 Pogue D7/649
D354,881 S 1/1995 Huff
D361,695 S 8/1995 Sutker
5,446,941 A 9/1995 Kelsay
D373,506 S 9/1996 Viemeister
D380,345 S 7/1997 Lu
D384,242 S 9/1997 Ancona et al.
D389,698 S 1/1998 Cohen et al.
D396,168 S 7/1998 Cohen et al.

(Continued)

(21) Appl. No.: **29/485,955**
(22) Filed: **Mar. 25, 2014**
(51) **LOC (10) Cl.** **04-01**
(52) **U.S. Cl.**
USPC **D4/138; D4/118**
(58) **Field of Classification Search**
USPC D4/118, 132-134, 138; D8/107, 303;
D32/40, 42, 45, 46, 49, 51, 52; 15/111,
15/143.1, 146, 159.1, 160, 236.02, 244.1;
16/430, DIG. 12, DIG. 18, DIG. 19
CPC A46B 5/02; A46B 5/021; A46B 5/023;
A46B 5/025; A46B 5/026; A46B 5/028;
A46B 15/0055; A46B 15/0081; A46B
2200/00; A46B 2200/30; A46B 2200/3026;
A46B 2200/3033; A46B 2200/304; A46B
2200/3046; A46B 2200/3086; A46B
2200/3093; B25G 1/00; B25G 1/10; B25G
1/102; Y10S 16/12; Y10S 16/18; Y10S 16/19;
Y10S 16/90; Y10T 16/44; Y10T 16/476
See application file for complete search history.

FOREIGN PATENT DOCUMENTS

CN 203457968 U * 3/2014
Primary Examiner — Prabhakar Deshmukh
Assistant Examiner — Lavone D Tabor
(74) *Attorney, Agent, or Firm* — Ohlandt, Greeley, Ruggiero
& Perle, LLP

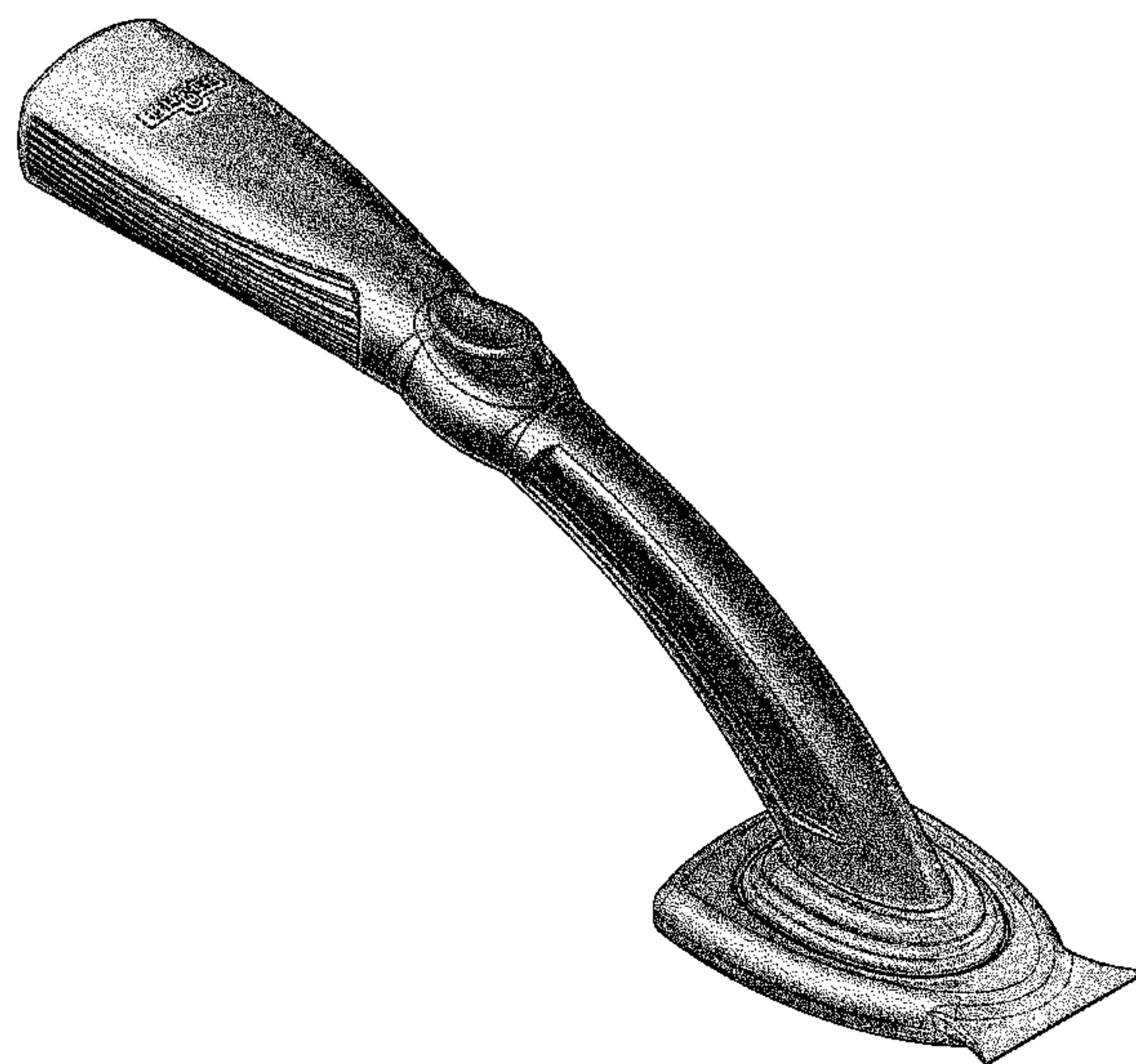
(57) **CLAIM**
The ornamental design for the brush handle, as shown and
described.

DESCRIPTION

FIG. 1 is a top front perspective view of a brush handle
according to the present disclosure;
FIG. 2 is a side view of the brush handle of FIG. 1, the
opposite side being identical thereto;
FIG. 3 is an enlarged view of the brush handle of FIG. 1, taken
at circle 3 of FIG. 2;
FIG. 4 is a top view of the brush handle of FIG. 1;
FIG. 5 is a bottom view of the brush handle of FIG. 1;
FIG. 6 is a rear view of the brush handle of FIG. 1; and,
FIG. 7 is a front view of the brush handle of FIG. 1.

1 Claim, 6 Drawing Sheets

(56) **References Cited**
U.S. PATENT DOCUMENTS
4,197,611 A 4/1980 Bell et al.
D258,861 S 4/1981 Bratton et al.



(56)

References Cited

U.S. PATENT DOCUMENTS

D399,388 S	10/1998	Cohen et al.	D520,852 S	5/2006	Minkler et al.
5,857,241 A	1/1999	Camp, Jr. et al.	7,040,830 B2 *	5/2006	Kliegman et al. 401/290
D406,491 S	3/1999	Cohen et al.	D534,725 S	1/2007	Vu
D411,410 S	6/1999	Pedrini	D544,775 S *	6/2007	Cybulski et al. D8/300
5,964,009 A	10/1999	Hoepfl et al.	D553,907 S	10/2007	Catalano et al.
D431,753 S	10/2000	Cohen et al.	D554,817 S	11/2007	Talesfore et al.
RE37,190 E	5/2001	Stowell et al.	D557,084 S	12/2007	Yamanaka et al.
6,237,193 B1	5/2001	Skerker et al.	D562,516 S	2/2008	Talesfore et al.
6,256,828 B1	7/2001	Sauer	D565,846 S *	4/2008	Holcomb et al. D4/114
D446,025 S	8/2001	Petner	D584,061 S	1/2009	Meyer
6,273,626 B1	8/2001	Yazawa	D586,877 S	2/2009	Li
D448,176 S	9/2001	Petner	D586,962 S	2/2009	Li
6,352,662 B1	3/2002	Murphy et al.	D591,956 S	5/2009	Treacy
D461,058 S	8/2002	Hay	D594,274 S	6/2009	McKenzie
6,633,309 B2	10/2003	Lau et al.	D606,320 S	12/2009	Meyer
D500,600 S	1/2005	Hay et al.	D607,169 S	12/2009	Weis et al.
D500,927 S	1/2005	Hay	7,674,418 B2	3/2010	Matsumoto et al.
D502,002 S	2/2005	Conway et al.	D616,649 S	6/2010	Lin
D502,324 S	3/2005	Soller et al.	D624,264 S	9/2010	Li
D508,631 S	8/2005	Cuillery	D630,888 S	1/2011	Bodum
D509,991 S	9/2005	Costello et al.	D647,703 S	11/2011	Li
D514,331 S *	2/2006	Liu D4/138	D650,955 S	12/2011	Chapman et al.
			8,215,945 B2	7/2012	Matsumoto et al.
			D694,021 S	11/2013	Weaver et al.

* cited by examiner

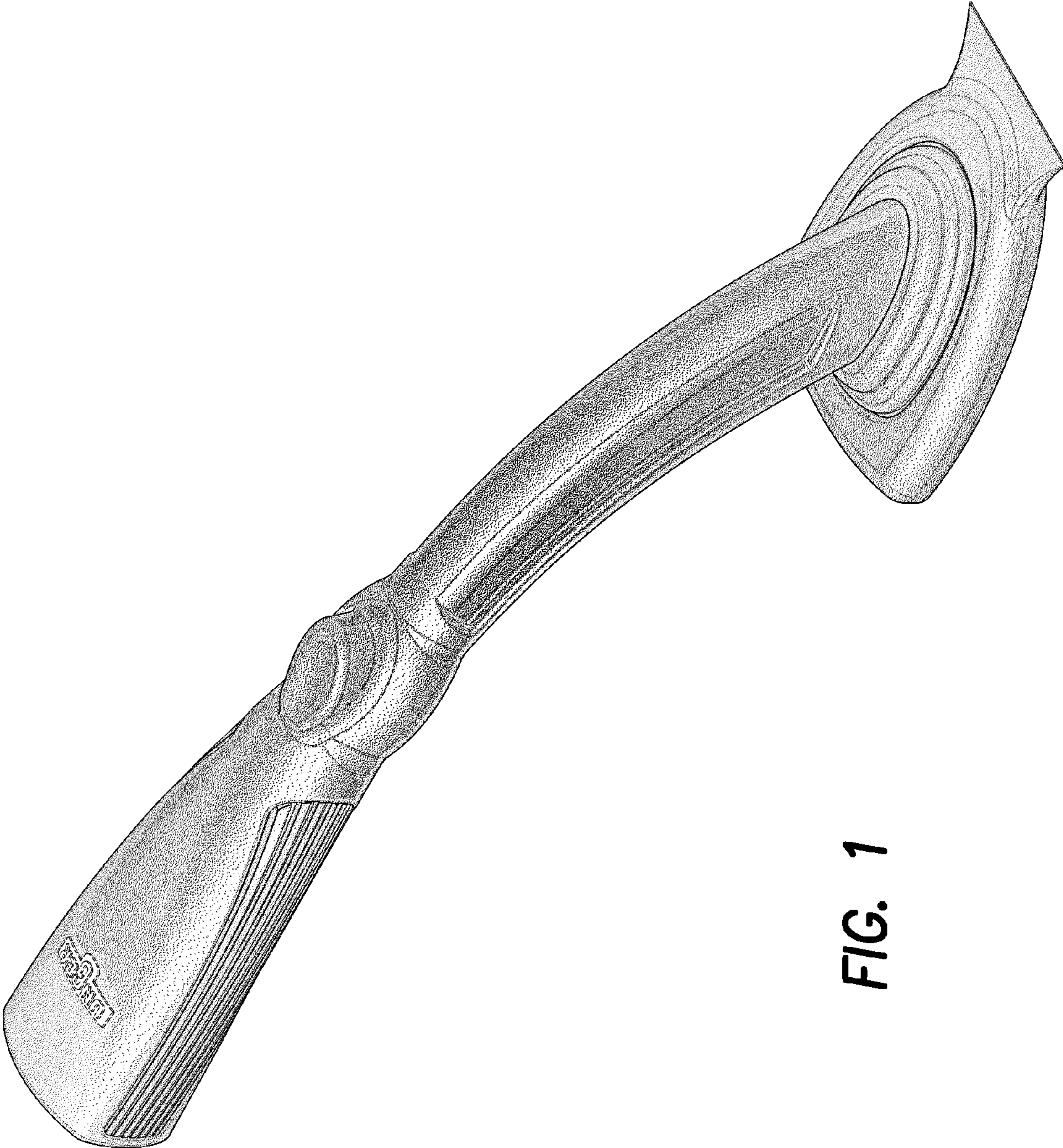


FIG. 1

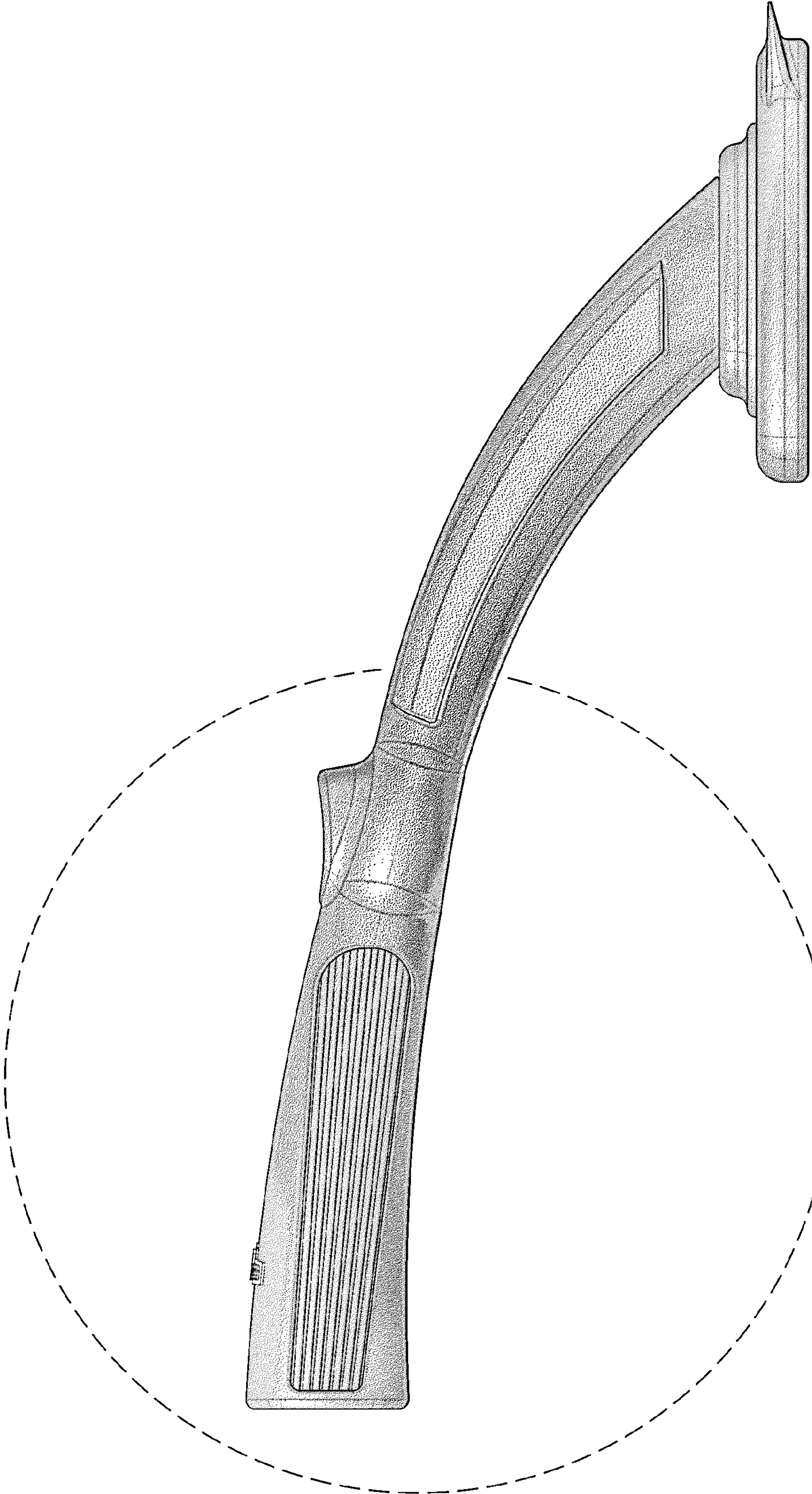


FIG. 2

FIG. 3

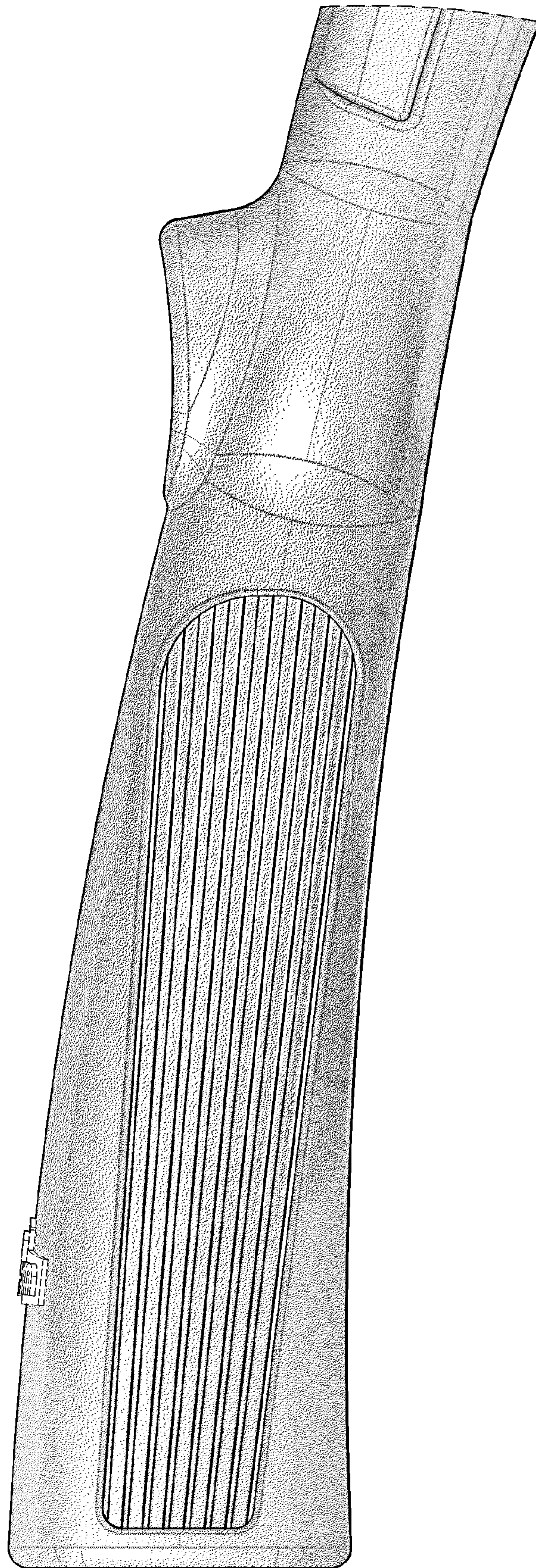


FIG. 3

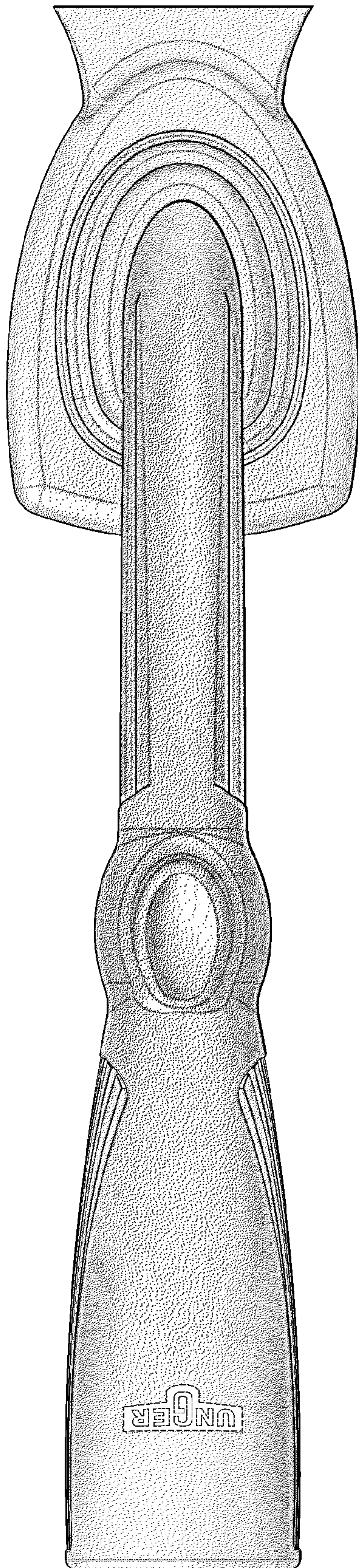


FIG. 4

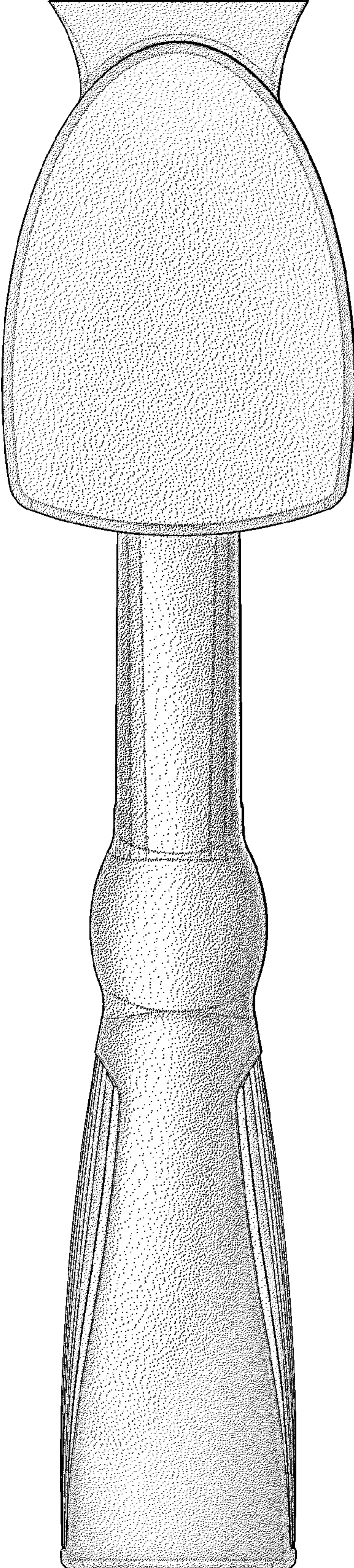


FIG. 5

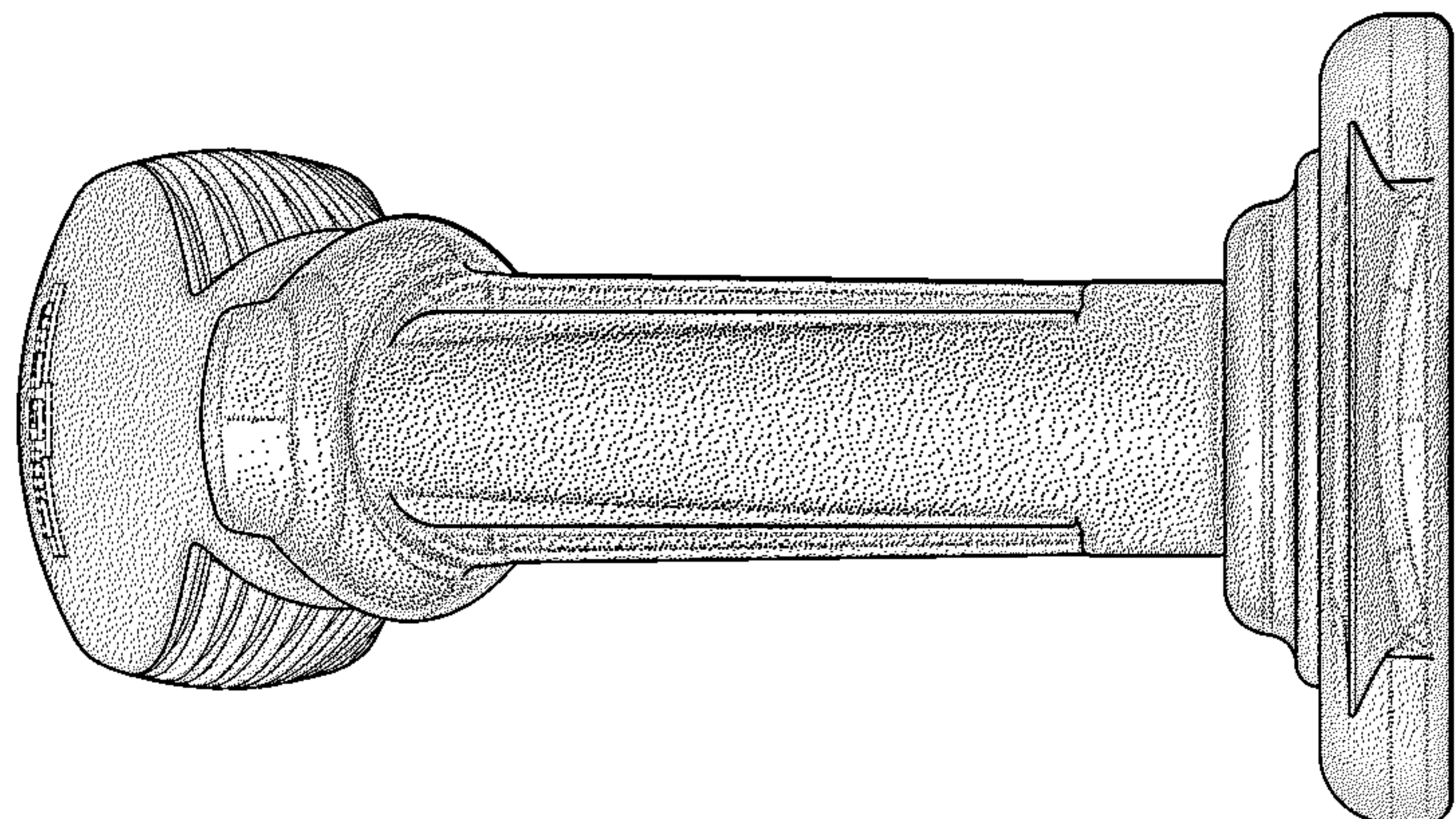


FIG. 7

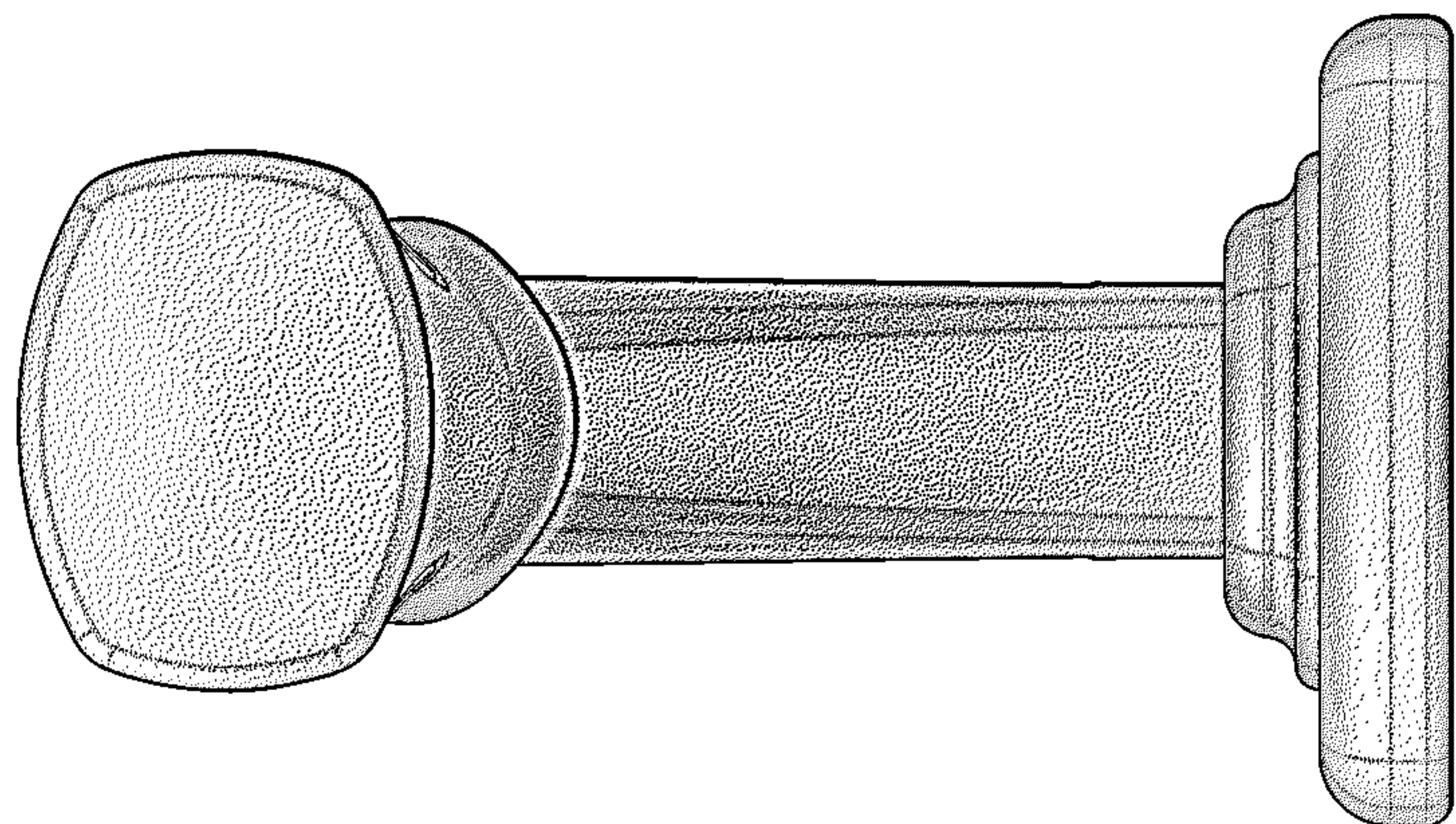


FIG. 6