



US00D744239S

(12) **United States Design Patent**
Reinhart

(10) **Patent No.:** **US D744,239 S**
(45) **Date of Patent:** **** Dec. 1, 2015**

- (54) **TOTE LID**
- (71) Applicant: **Centrex Plastics, LLC**, Findlay, OH (US)
- (72) Inventor: **Nickolas Reinhart**, Findlay, OH (US)
- (73) Assignee: **CENTREX PLASTICS, LLC**, Findlay, OH (US)

D580,170	S	*	11/2008	Klotzman et al.	D3/272
D597,383	S	*	8/2009	Masterton et al.	D7/629
D606,306	S	*	12/2009	Monte	D3/273
D648,535	S	*	11/2011	Reinhart et al.	D3/302
D648,538	S	*	11/2011	Reinhart et al.	D3/318
D701,044	S	*	3/2014	Kishimoto	D3/272
2006/0254946	A1	*	11/2006	Becklin	206/508
2010/0108556	A1	*	5/2010	Claffy	206/508
2011/0147385	A1	*	6/2011	Forrest	220/324
2012/0125937	A1	*	5/2012	Ahlstrom et al.	220/378

- (**) Term: **14 Years**
- (21) Appl. No.: **29/496,475**

- (22) Filed: **Jul. 14, 2014**
- (51) **LOC (10) Cl.** **01-03**
- (52) **U.S. Cl.**
USPC **D3/318; D3/302**
- (58) **Field of Classification Search**
USPC D3/905, 276–284, 291, 294, 295, 298,
D3/901, 302, 272, 273, 274, 903, 304,
D3/307–309, 315, 314, 310, 312;
206/372–379, 508; 220/523–528, 826,
220/844
CPC B62B 2206/006; B65D 1/22; B65D
2543/00194; B65D 21/0209; B65D
2543/00296; B65D 21/02

See application file for complete search history.

(56) **References Cited**

U.S. PATENT DOCUMENTS

D237,135	S	*	10/1975	Morris	D7/605
3,987,829	A	*	10/1976	Leone	220/796
5,042,674	A	*	8/1991	Ramsay et al.	220/4.24
D333,094	S	*	2/1993	Zutler	D9/423
D361,511	S	*	8/1995	Dickinson et al.	D7/605
5,564,805	A	*	10/1996	Dickinson	312/249.8
D376,259	S	*	12/1996	Dickinson et al.	D3/273
D480,872	S	*	10/2003	Welsh et al.	D3/302
D567,507	S	*	4/2008	Zimmerman	D3/302
D574,150	S	*	8/2008	Ross	D3/279
D578,758	S	*	10/2008	Stevens et al.	D3/272

OTHER PUBLICATIONS

Costco Couple, Blog. “Centrex Plastics 27 Gallon Construction Grade Tote—Costco’s vs Lowe’s” posted on May 15, 2014. Accessed May 18, 2015.*

* cited by examiner

Primary Examiner — Jennifer Rivard

Assistant Examiner — April Rivas

(74) *Attorney, Agent, or Firm* — Fraser Clemens Martin & Miller LLC; Jacob M. Ward

(57) **CLAIM**

The ornamental design for a tote lid, as shown and described.

DESCRIPTION

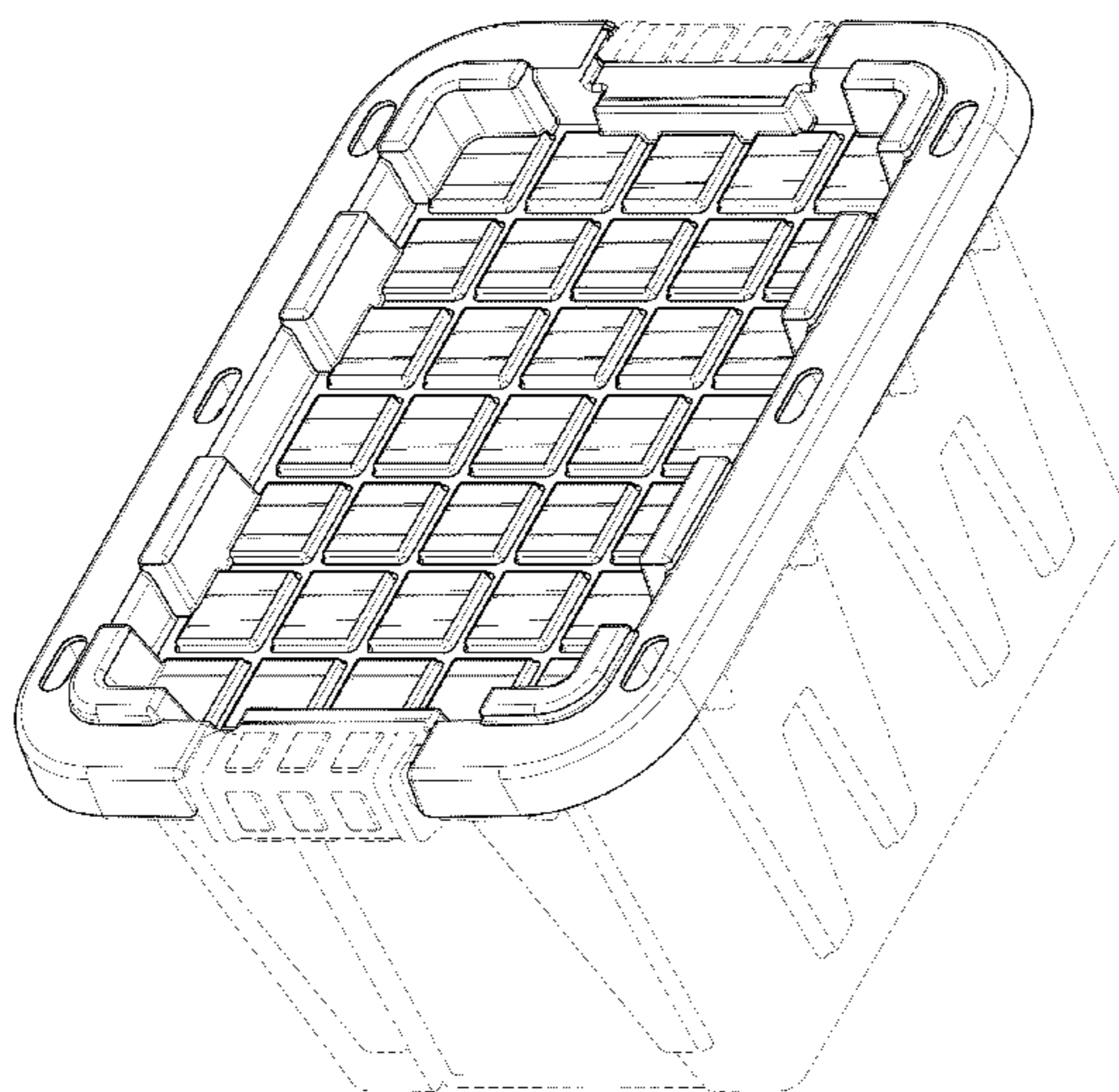
FIG. 1 is a front perspective view of a tote lid;
FIG. 2 is a top plan view thereof;
FIG. 3 is a bottom plan view thereof;
FIG. 4 is a front elevational view thereof; and,
FIG. 5 is a left side elevational view thereof.

A rear elevational view is not shown because it is identical to the front elevational view shown in FIG. 4. A right side elevational view is not shown because it is identical to the left side elevational view shown in FIG. 5.

The ornamental design which is claimed is shown in solid lines in the drawings.

The broken lines in the figures depict environmental subject matter only and form no part of the claimed design.

1 Claim, 3 Drawing Sheets



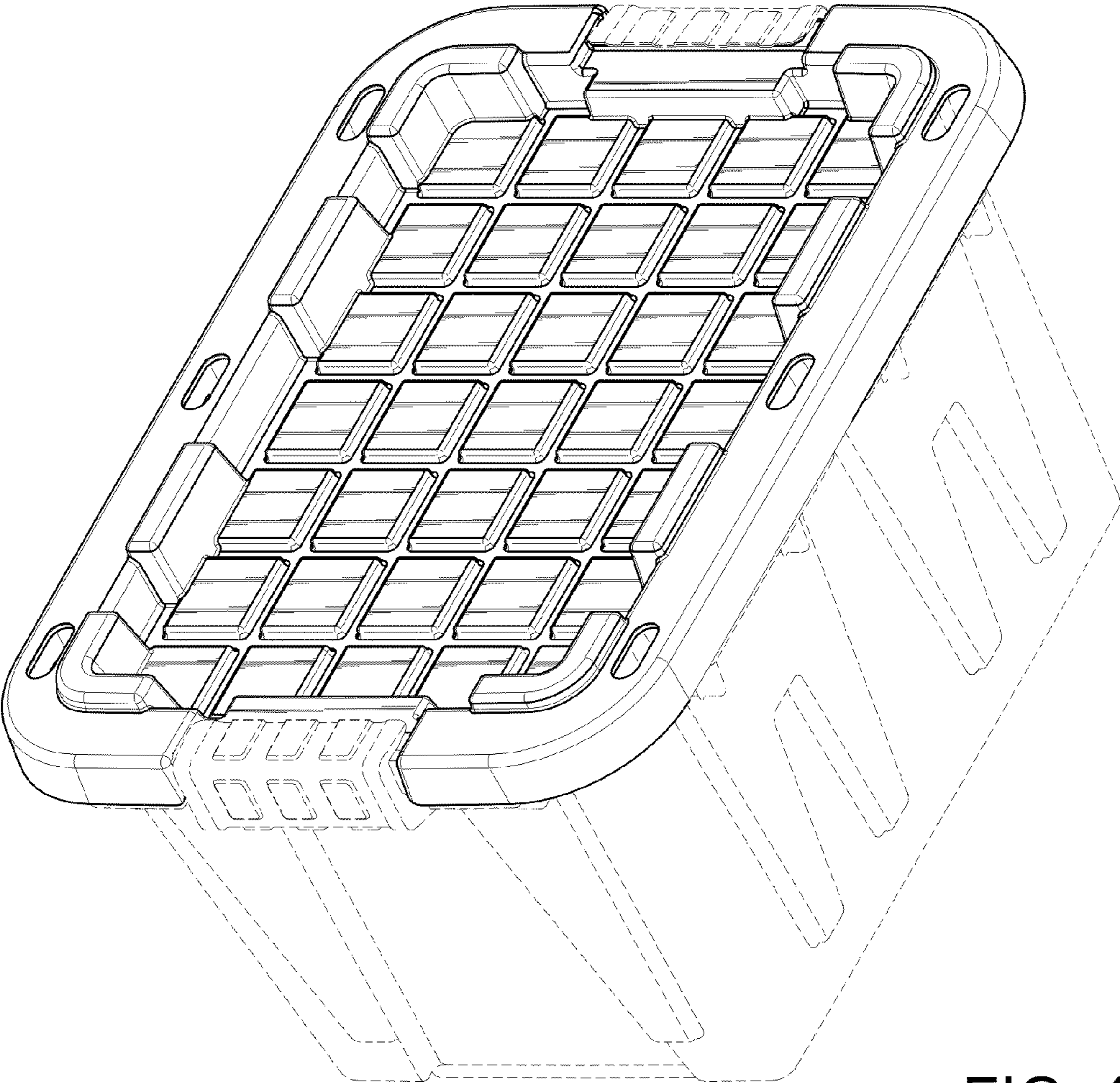


FIG. 1

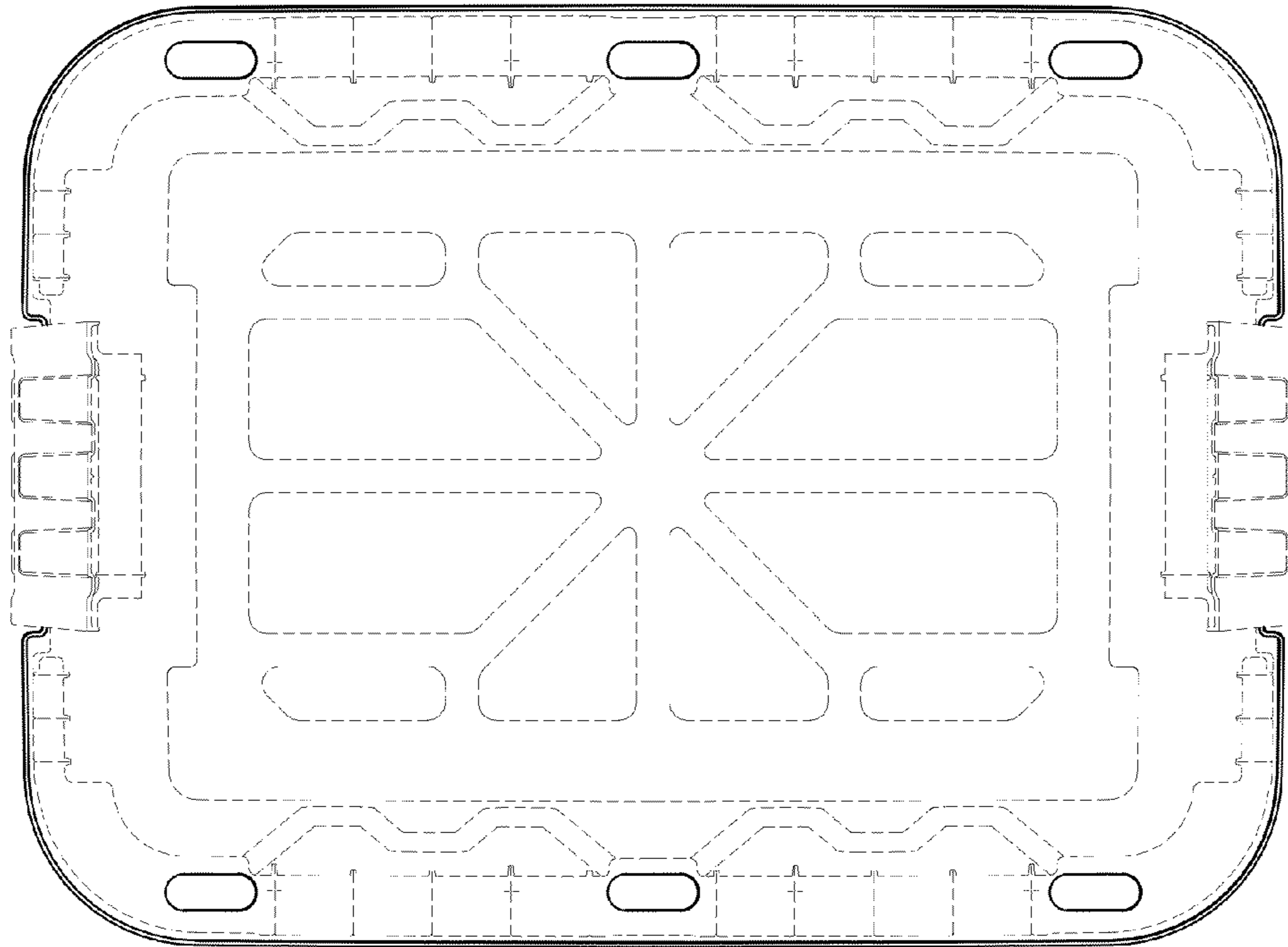


FIG. 3

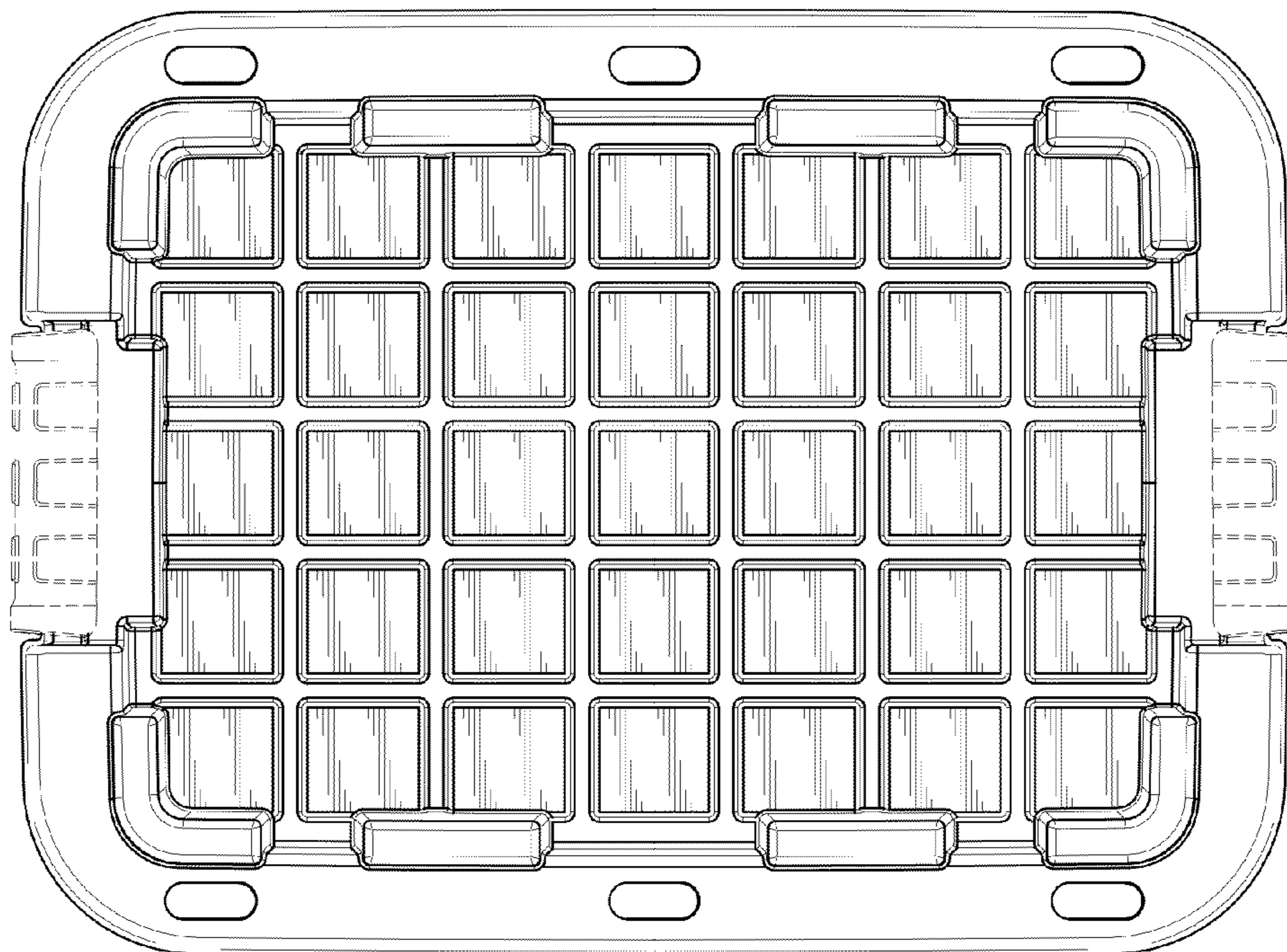


FIG. 2

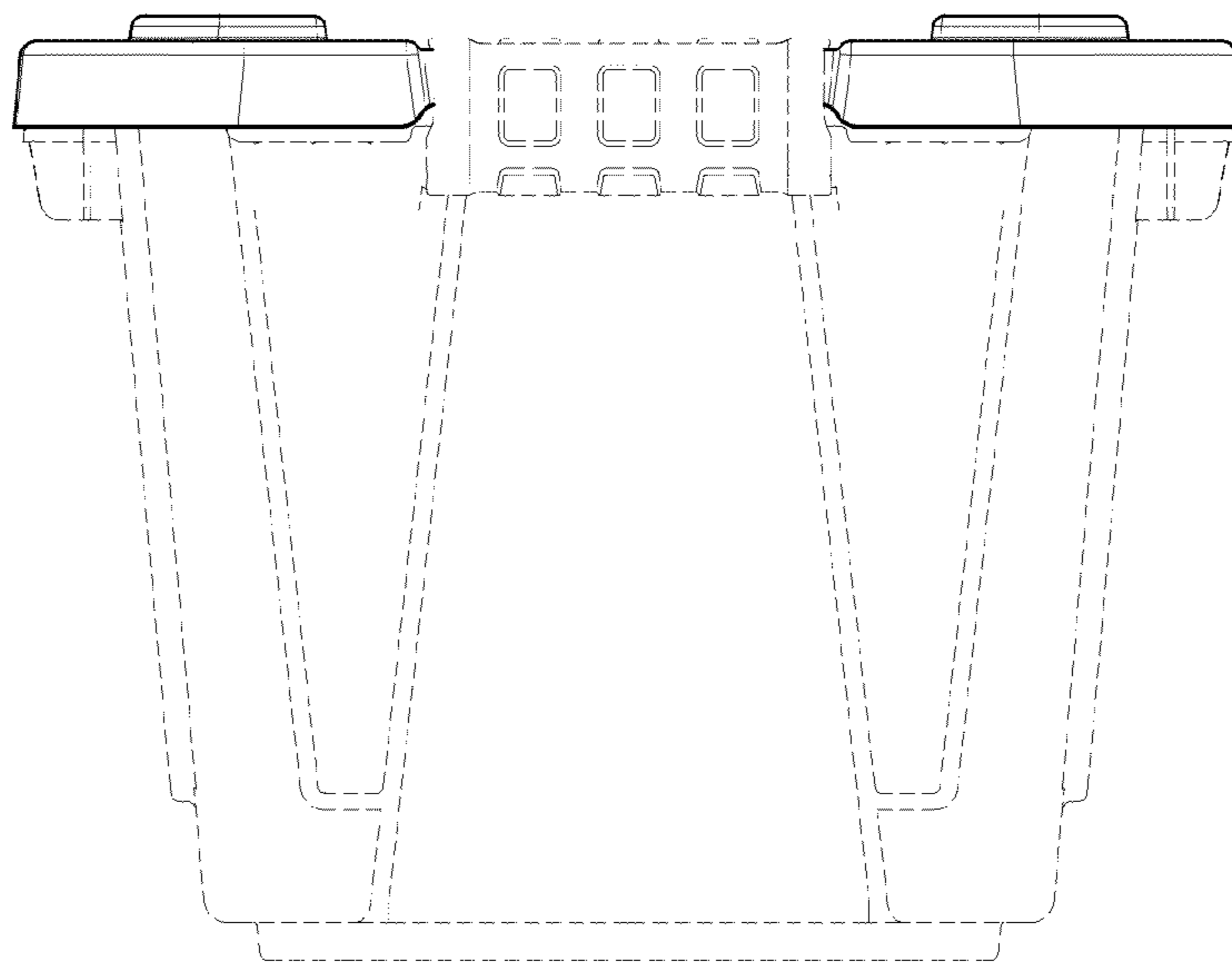


FIG. 4

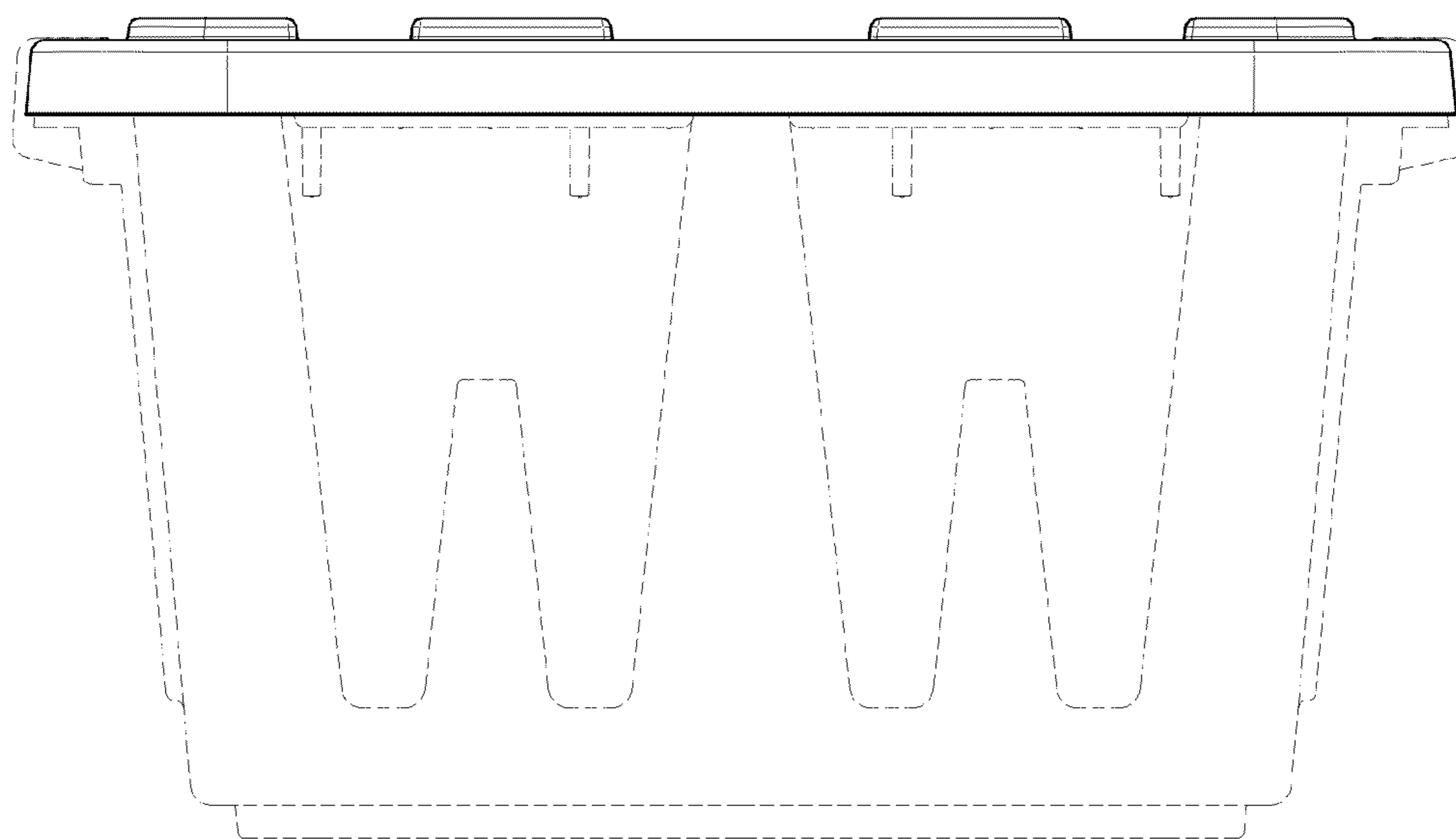


FIG. 5