



US00D744238S

(12) **United States Design Patent**  
**Lai**

(10) **Patent No.:** **US D744,238 S**  
(45) **Date of Patent:** **\*\* Dec. 1, 2015**

(54) **HANDLE FOR A DRAW BAR OF A LUGGAGE CASE**

(71) Applicant: **Wei-Hung Lai**, Taichung (TW)

(72) Inventor: **Wei-Hung Lai**, Taichung (TW)

(\*\*) Term: **14 Years**

(21) Appl. No.: **29/495,257**

(22) Filed: **Jun. 29, 2014**

(51) **LOC (10) Cl.** ..... **03-01**

(52) **U.S. Cl.**  
USPC ..... **D3/318**

(58) **Field of Classification Search**  
USPC ..... D3/218, 227, 232–233, 239, 240–243,  
D3/249, 279, 289, 301, 303, 323, 327, 328,  
D3/900; D8/97, 107, 300, 303, 313, 314,  
D8/321; D15/5, 18  
CPC ..... Y10T 24/2586; Y10T 24/2589; Y10T  
24/257; Y10T 24/25; A44B 19/262; A44B  
19/26; A44B 19/00; A41F 1/008; A41D  
2300/322; A45C 11/324  
See application file for complete search history.

(56) **References Cited**

**U.S. PATENT DOCUMENTS**

6,279,706 B1 \* 8/2001 Mao ..... 190/115  
6,434,790 B1 \* 8/2002 Chen ..... 16/113.1  
D473,716 S \* 4/2003 Nykoluk ..... D3/318

6,591,951 B1 \* 7/2003 Chen ..... 190/115  
D712,152 S \* 9/2014 Tong ..... D3/318  
D716,556 S \* 11/2014 Tong ..... D3/318  
2002/0050429 A1 \* 5/2002 Nykoluk et al. .... 190/115  
2002/0125088 A1 \* 9/2002 Nykoluk et al. .... 190/18 A

\* cited by examiner

*Primary Examiner* — Robert M Spear

*Assistant Examiner* — Eliza Bennett-Hattan

(74) *Attorney, Agent, or Firm* — Patent Office of Bang Shia

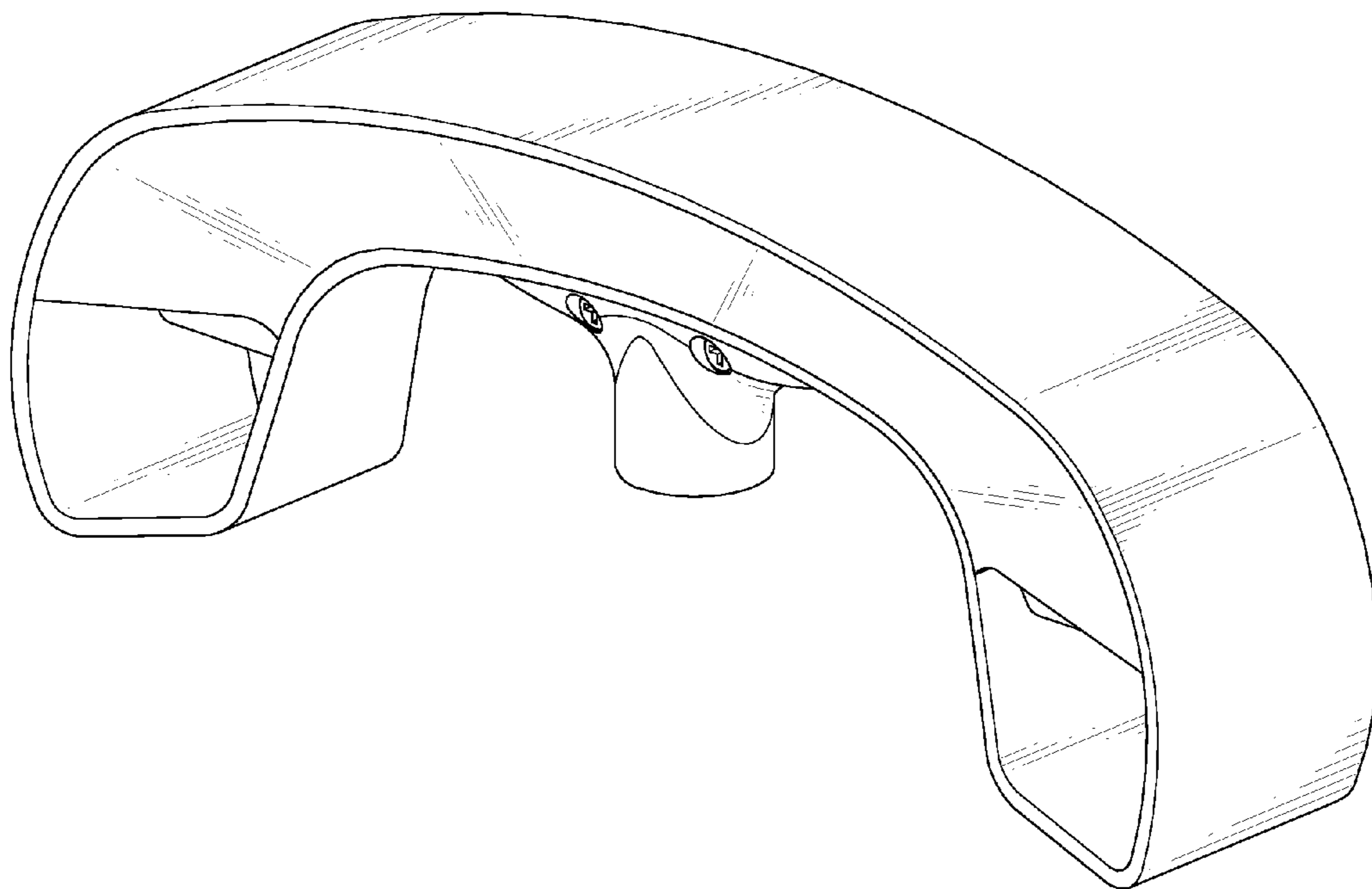
(57) **CLAIM**

The ornamental design for a handle for a draw bar of a luggage case, as shown and described.

**DESCRIPTION**

FIG. 1 is a perspective view of a handle for a draw bar of a luggage case showing my new design;  
FIG. 2 is a front elevational view thereof;  
FIG. 3 is a rear elevational view thereof;  
FIG. 4 is a right side elevational view, a left side elevational view being a mirror image thereof;  
FIG. 5 is a top plan view thereof;  
FIG. 6 is a bottom plan view thereof; and,  
FIG. 7 is a perspective view from the bottom.  
The broken lines are shown for illustrative purposes only and form no part of claimed design.

**1 Claim, 5 Drawing Sheets**



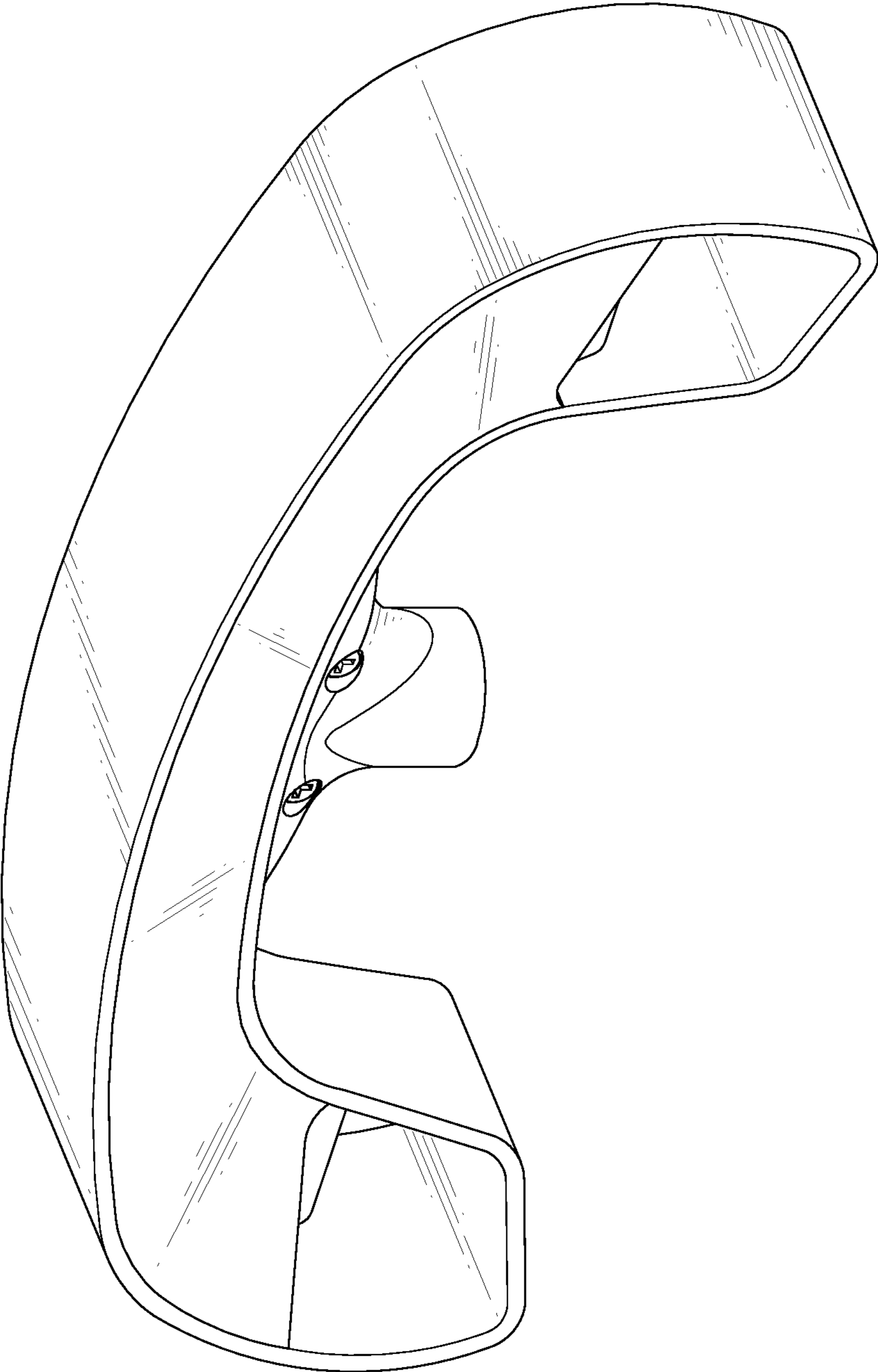


FIG.1

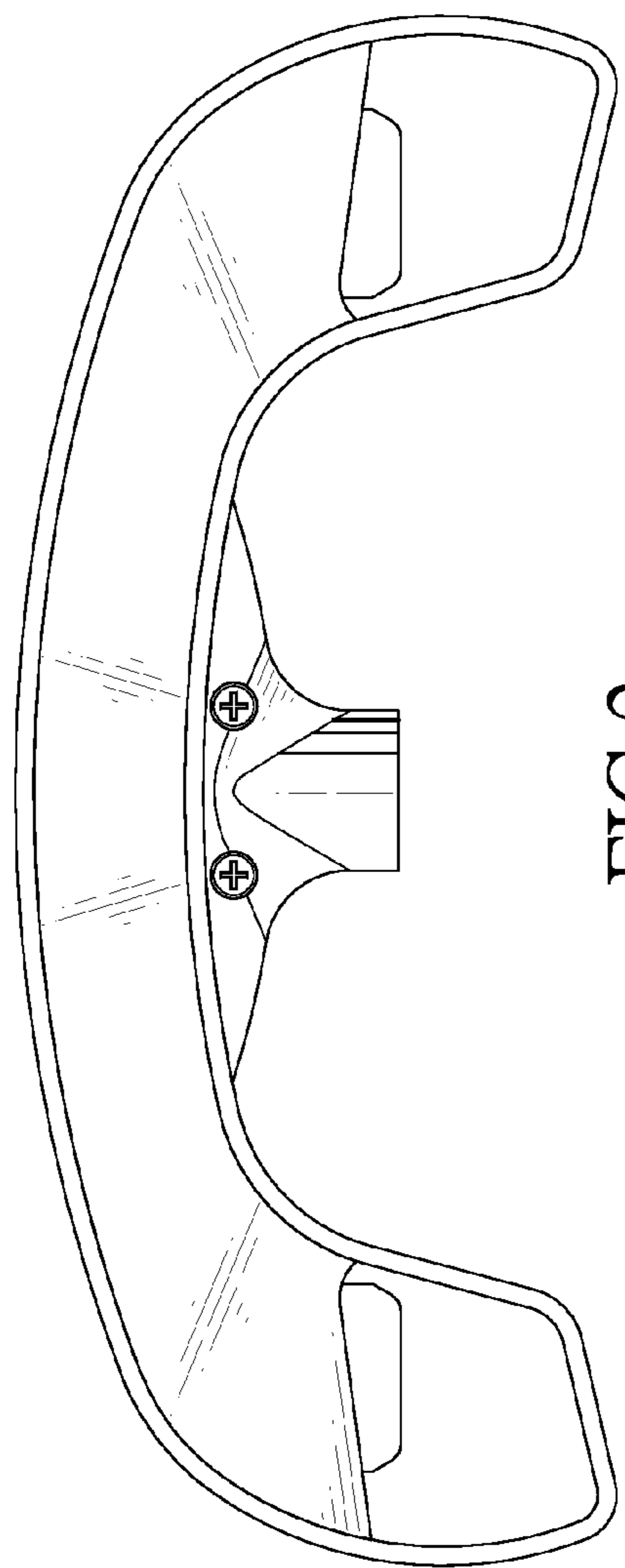


FIG. 2

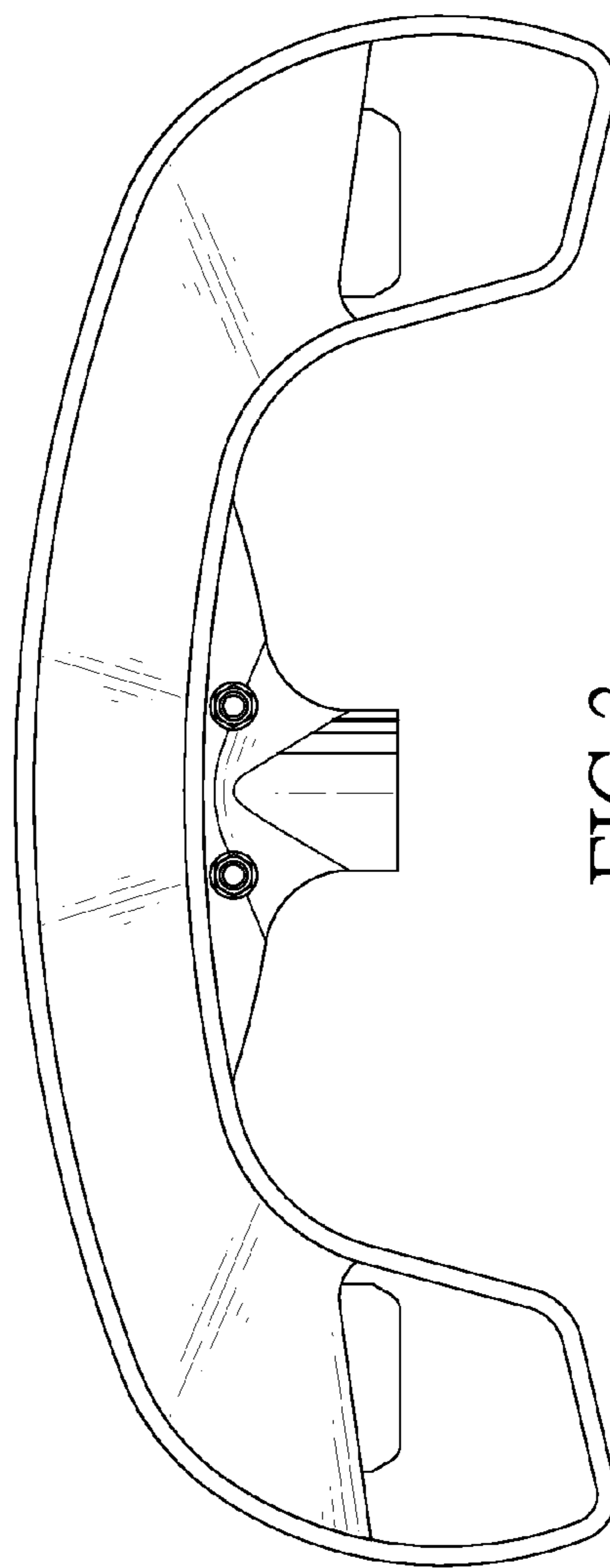


FIG. 3

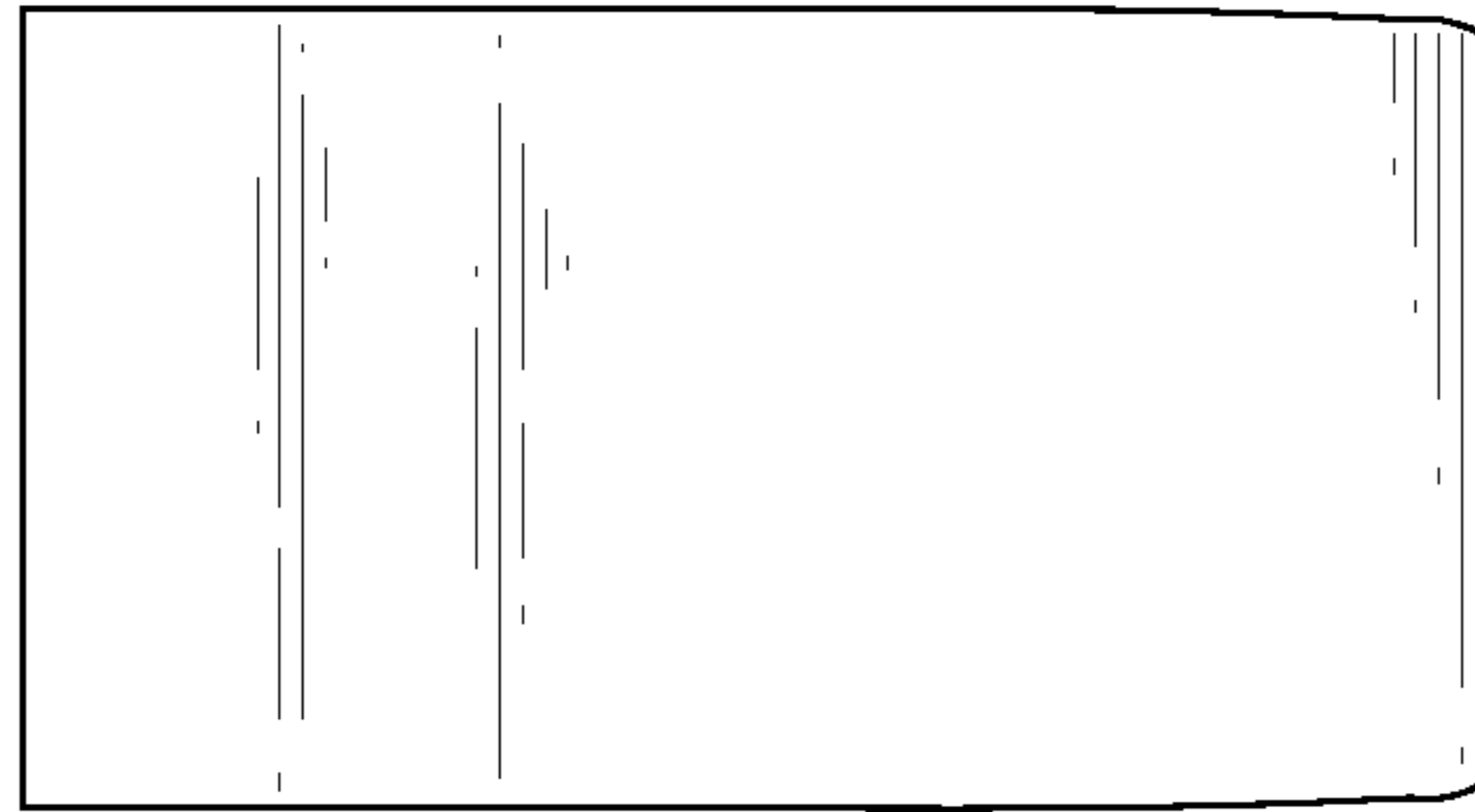


FIG.4

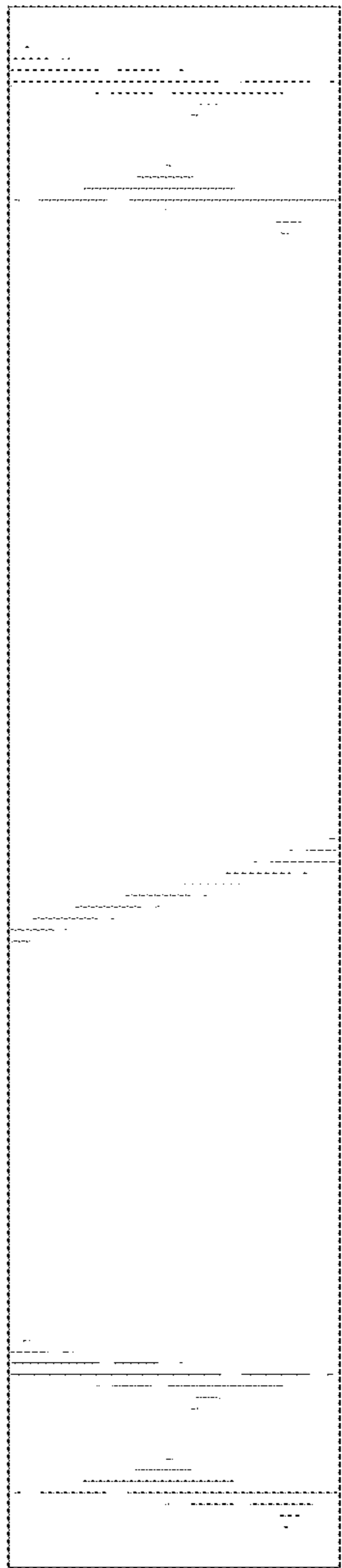


FIG. 5

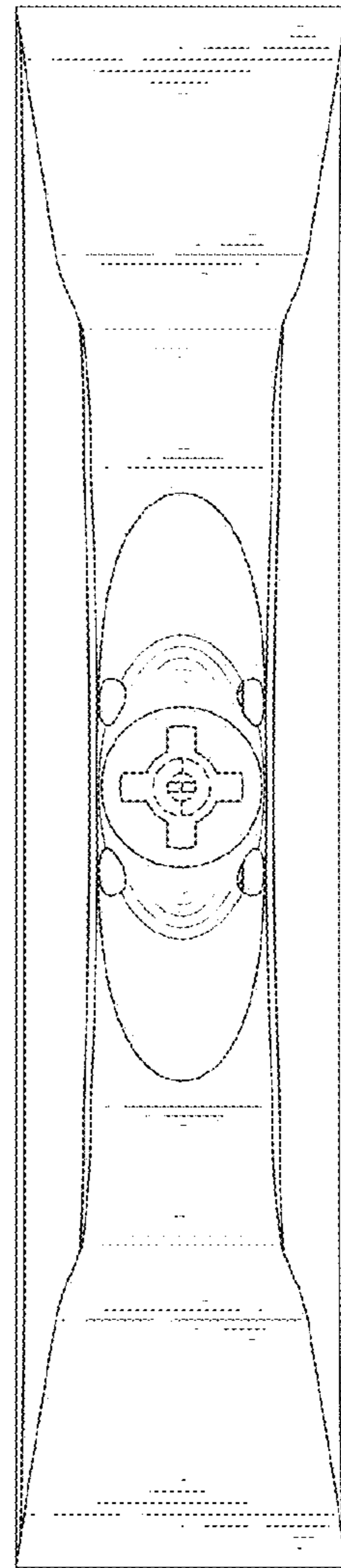


FIG. 6

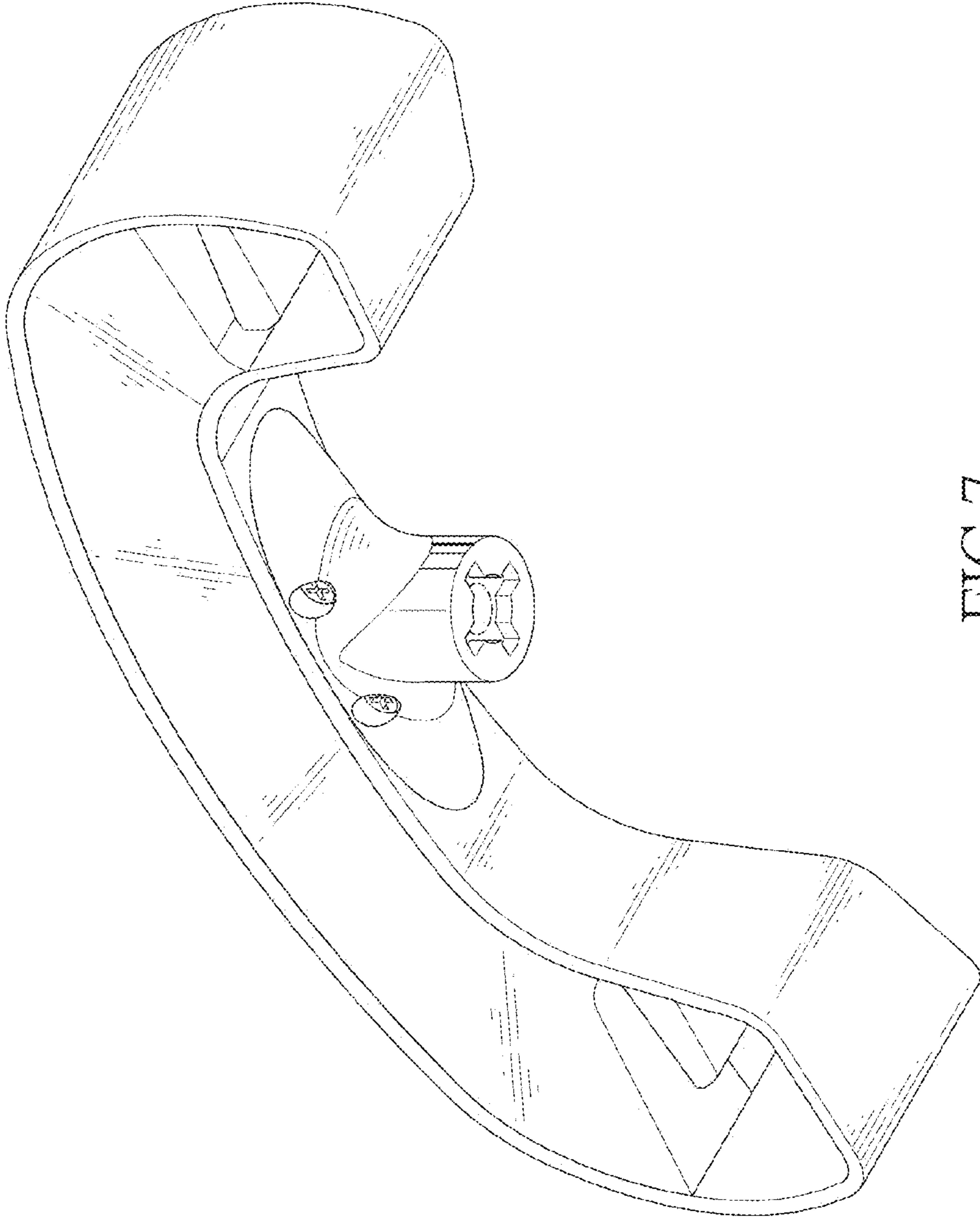


FIG.7