



US00D744237S

(12) **United States Design Patent**
Guichot

(10) **Patent No.:** **US D744,237 S**
(45) **Date of Patent:** **** Dec. 1, 2015**

- (54) **PAIR OF HANDBAG STRUTS**
- (71) Applicant: **BALENCIAGA**, Paris (FR)
- (72) Inventor: **Isabelle Guichot**, Paris (FR)
- (73) Assignee: **BALENCIAGA**, Paris (FR)
- (**) Term: **14 Years**
- (21) Appl. No.: **29/486,881**
- (22) Filed: **Apr. 3, 2014**

156/158

D358,982 S * 6/1995 Bosgoed D25/122
D652,216 S * 1/2012 Fair D3/318

* cited by examiner

Primary Examiner — Holly Baynham
(74) *Attorney, Agent, or Firm* — Donald J. Ranft; Kristen A. Mogavero; Collen IP

(57) **CLAIM**
The ornamental design for a pair of handbag struts, as shown and described.

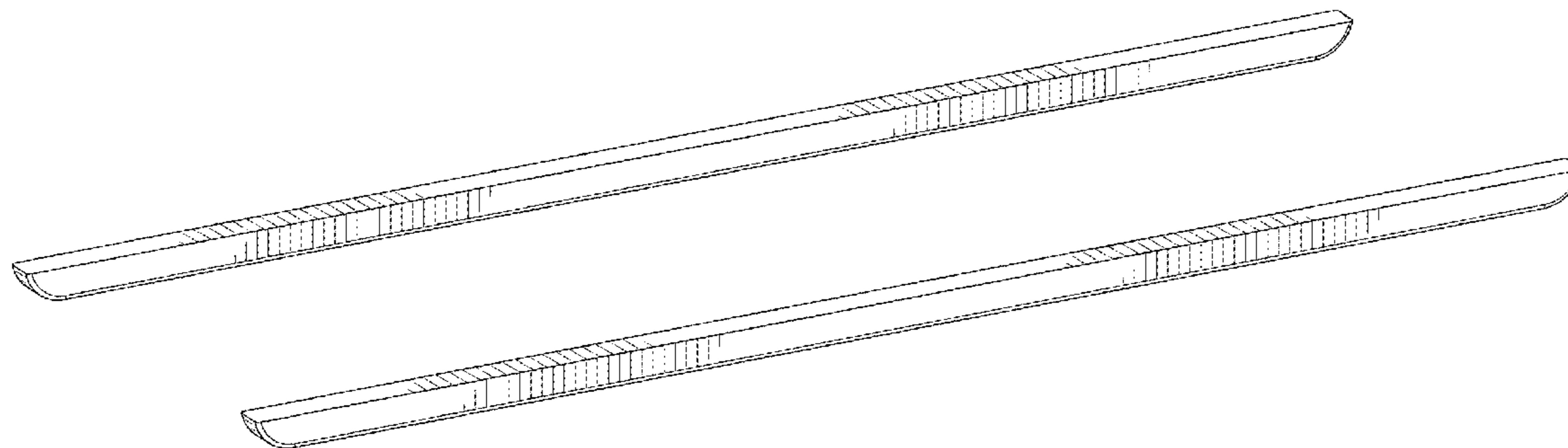
DESCRIPTION

FIG. 1 is a top perspective view of pair of handbag struts showing my new design;
FIG. 2 is a bottom perspective view thereof;
FIG. 3 is a top view thereof;
FIG. 4 is a bottom view thereof;
FIG. 5 is a front view thereof;
FIG. 6 is a rear view thereof;
FIG. 7 is left side view thereof with the opposite side being identical in appearance;
FIG. 8 is an environmental bottom view attached to purse thereof; and,
FIG. 9 is an environmental bottom perspective view attached to purse thereof.
The broken lines showing a handbag are for the purposes of illustrating environment and forms no part of the claimed design.

- (30) **Foreign Application Priority Data**
Feb. 10, 2014 (EM) 002402172-0001
- (51) **LOC (10) Cl.** **03-01**
- (52) **U.S. Cl.**
USPC **D3/318**
- (58) **Field of Classification Search**
USPC D3/318
CPC A45F 5/10
See application file for complete search history.

- (56) **References Cited**
U.S. PATENT DOCUMENTS
D260,135 S * 8/1981 Fairbanks D8/376
4,553,464 A * 11/1985 Turner B23D 31/001
83/188
4,565,593 A * 1/1986 Marr G02B 6/2551

1 Claim, 7 Drawing Sheets



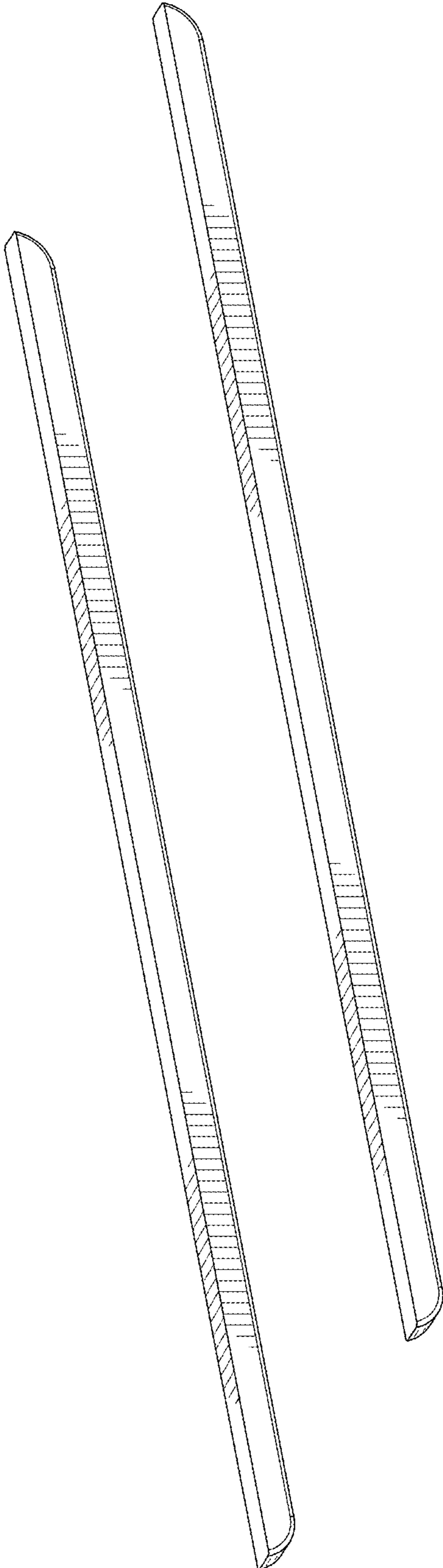


FIG. 1

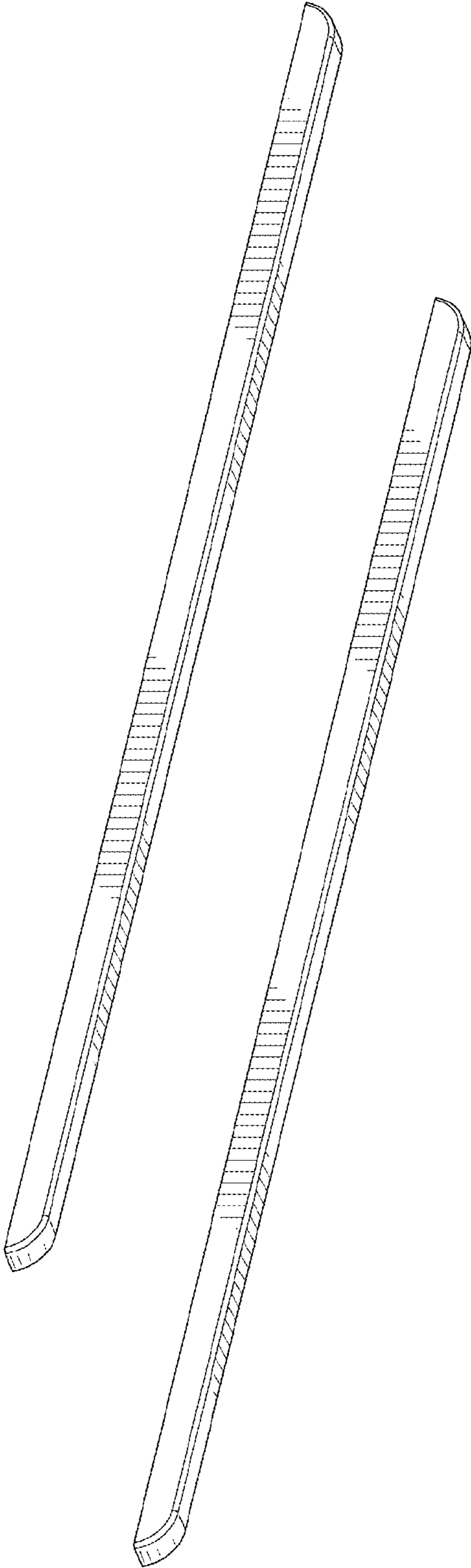


FIG. 2

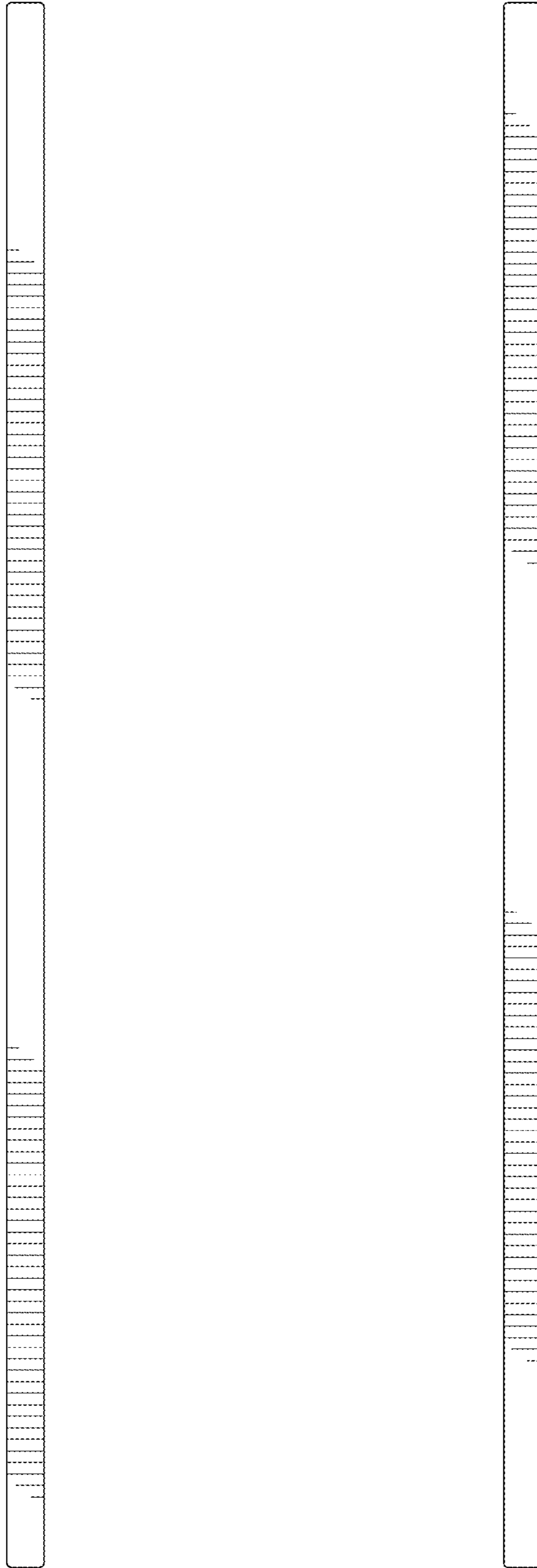


FIG. 3

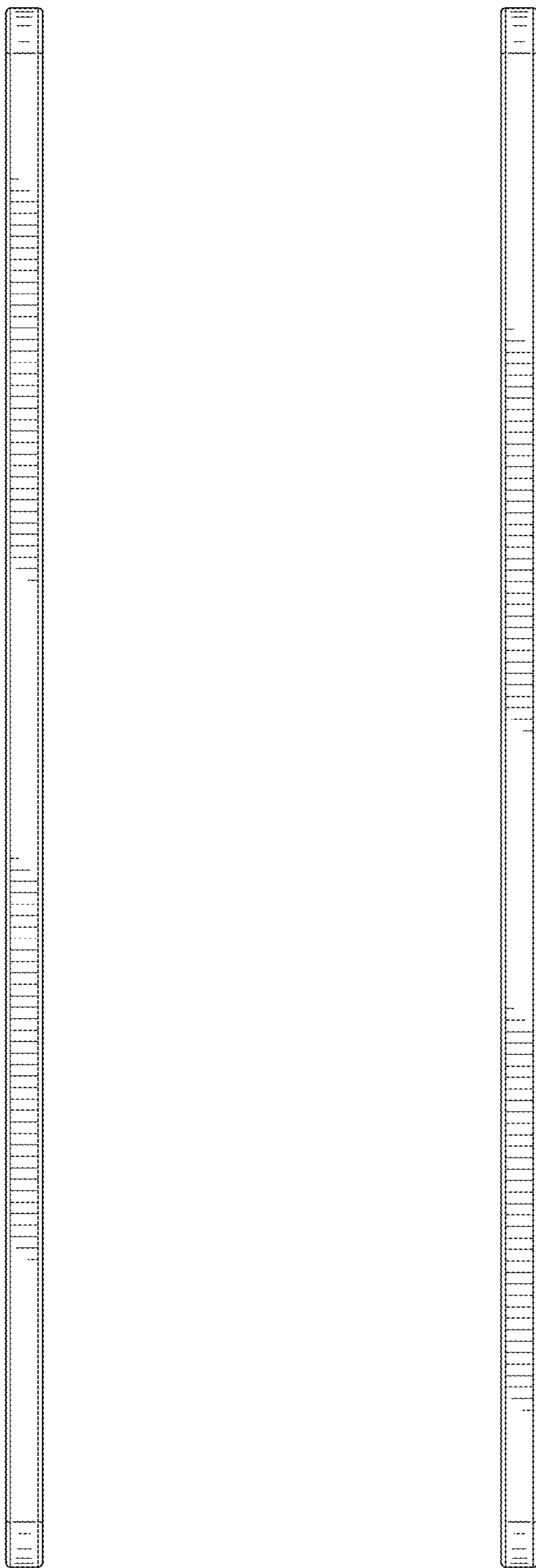


FIG. 4

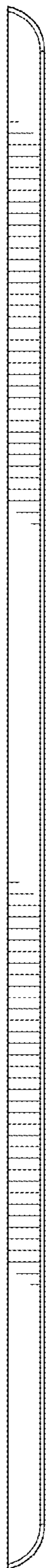


FIG. 5

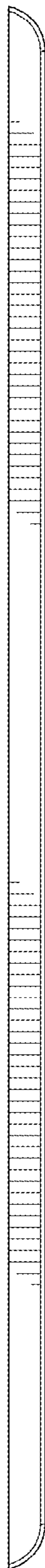


FIG. 6



FIG. 7

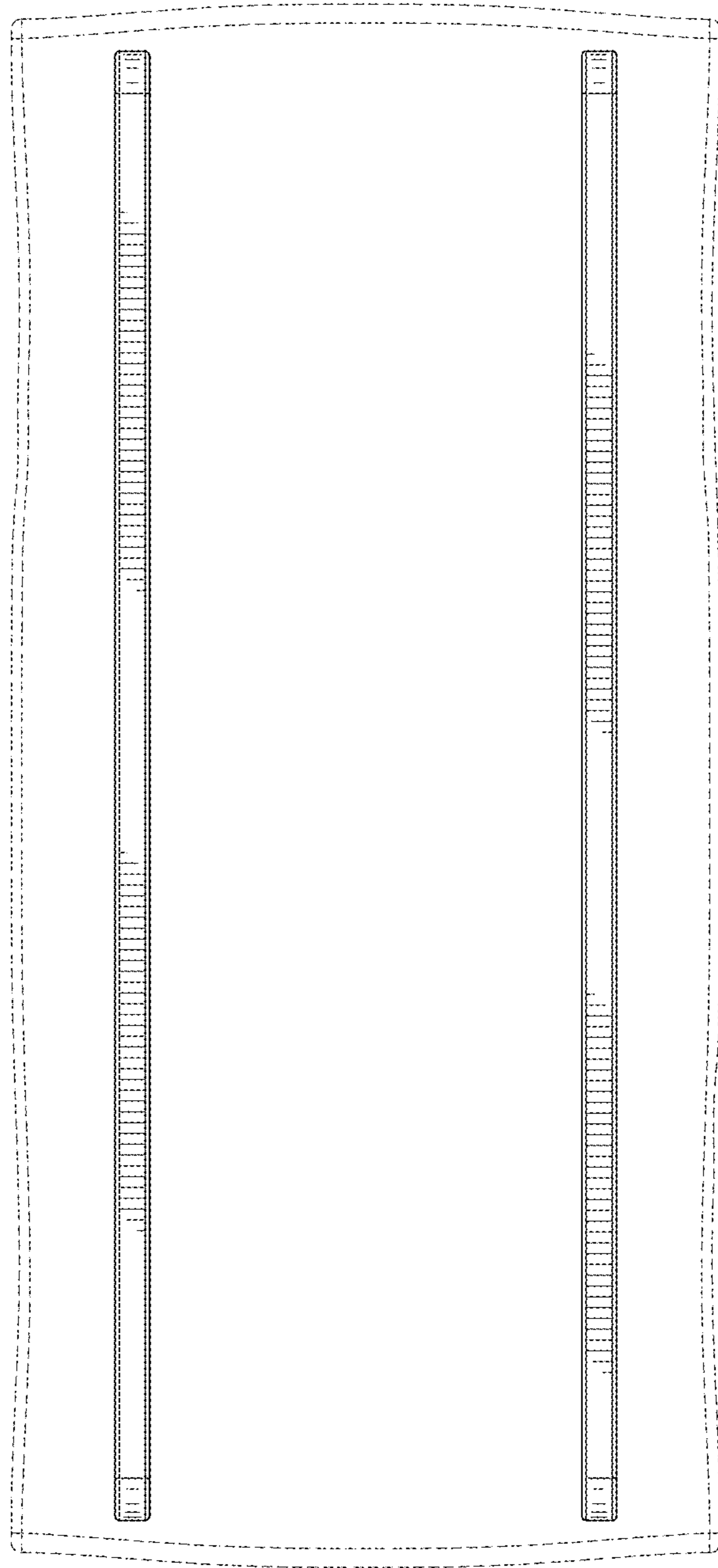


FIG. 8

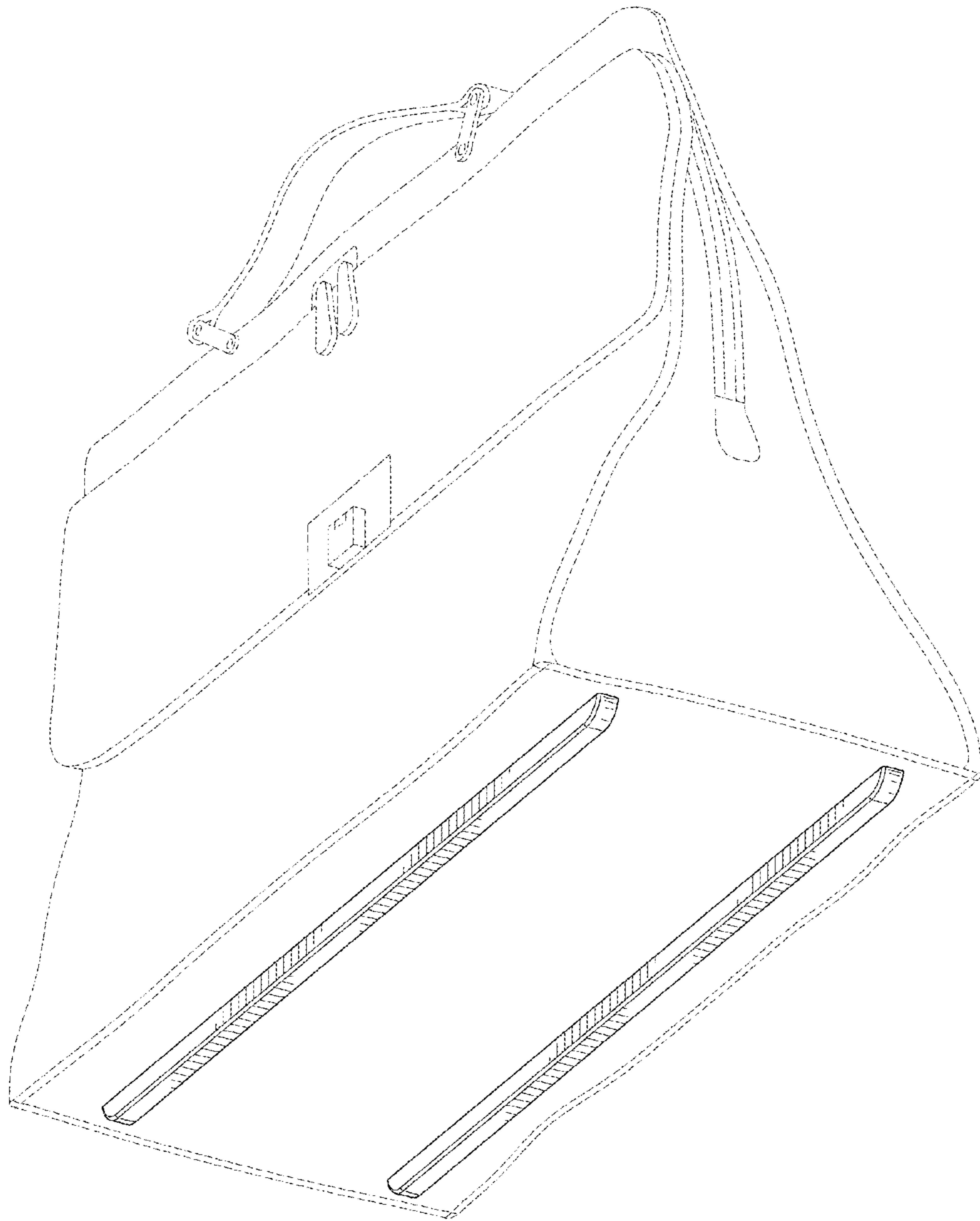


FIG. 9