



US00D744234S

(12) **United States Design Patent**
Quinnan

(10) **Patent No.:** **US D744,234 S**

(45) **Date of Patent:** **** Dec. 1, 2015**

(54) **GUN CASE**

(71) Applicant: **Timothy Quinnan**, Broomfield, CO
(US)

(72) Inventor: **Timothy Quinnan**, Broomfield, CO
(US)

(73) Assignee: **The Allen Company, Inc.**, Broomfield,
CO (US)

(**) Term: **14 Years**

(21) Appl. No.: **29/508,162**

(22) Filed: **Nov. 4, 2014**

(51) **LOC (10) Cl.** **03-01**

(52) **U.S. Cl.**
USPC **D3/262**

(58) **Field of Classification Search**
USPC D3/262
CPC A45C 13/36; B60R 9/08
See application file for complete search history.

(56) **References Cited**

U.S. PATENT DOCUMENTS

5,669,495 A 9/1997 West
D448,560 S 10/2001 Kolpin
D448,561 S 10/2001 Kolpin

6,634,530 B1 * 10/2003 Black 224/401
6,722,496 B2 4/2004 Gantert
7,063,737 B2 6/2006 Tilby et al.
D532,971 S * 12/2006 Sides et al. D3/262
7,434,683 B1 10/2008 Harper et al.
7,546,920 B1 6/2009 Horn et al.
7,905,350 B2 3/2011 Wood et al.

* cited by examiner

Primary Examiner — Holly Baynham

(74) *Attorney, Agent, or Firm* — Boyd D. Cox

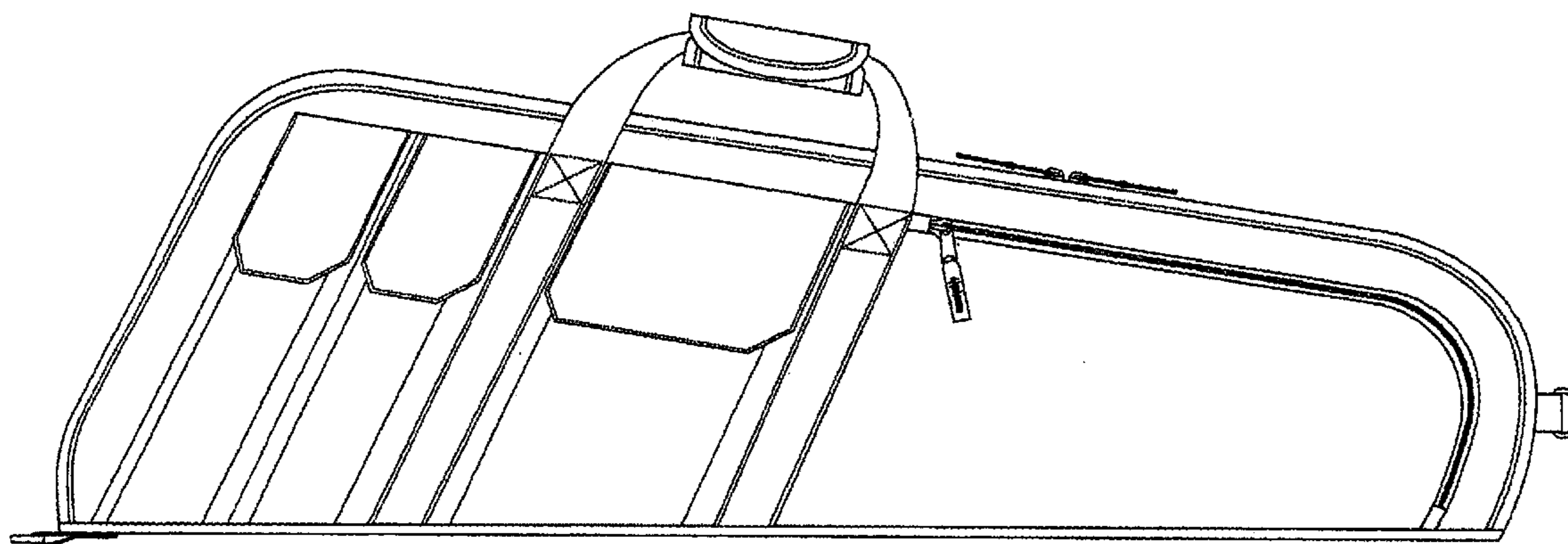
(57) **CLAIM**

The ornamental design for a gun case, as shown and described.

DESCRIPTION

FIG. 1 is a front elevation of the gun case of the present invention;
FIG. 2 is a rear elevation of the gun case of FIG. 1;
FIG. 3 is a right side elevation of the gun case of FIG. 1;
FIG. 4 is a left side elevation of the gun case of FIG. 1;
FIG. 5 is a top plan view of the gun case of FIG. 1; and,
FIG. 6 is a bottom plan view of the gun case of FIG. 1.
The broken lines representing stitching are part of the claimed design.

1 Claim, 6 Drawing Sheets



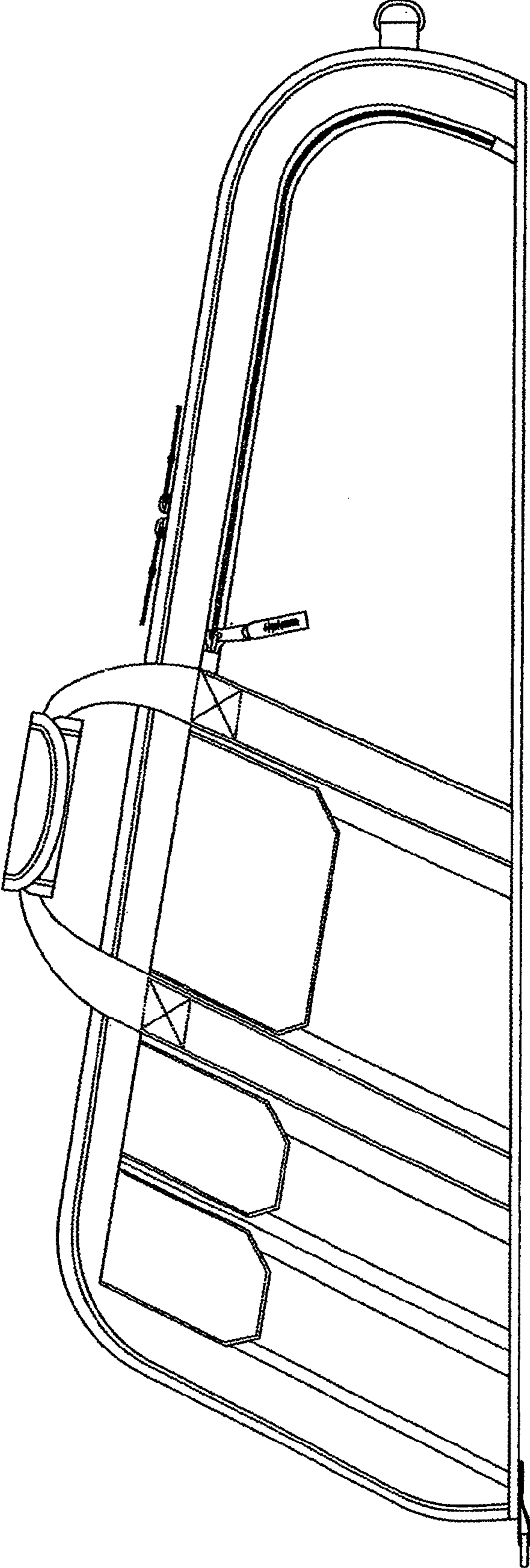


FIG. 1

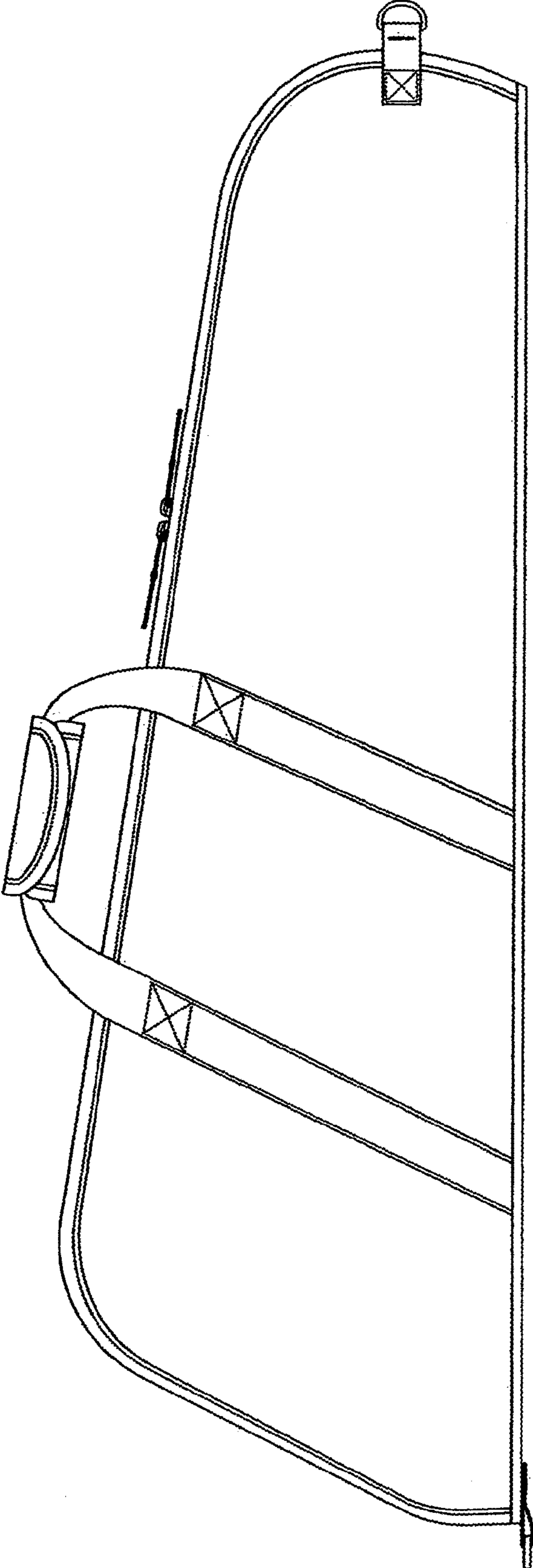


FIG. 2

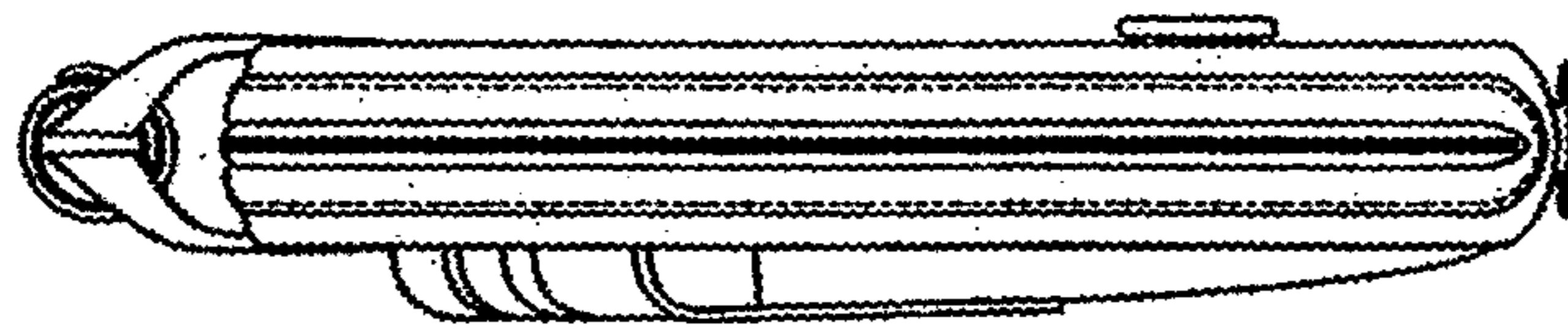


FIG. 3

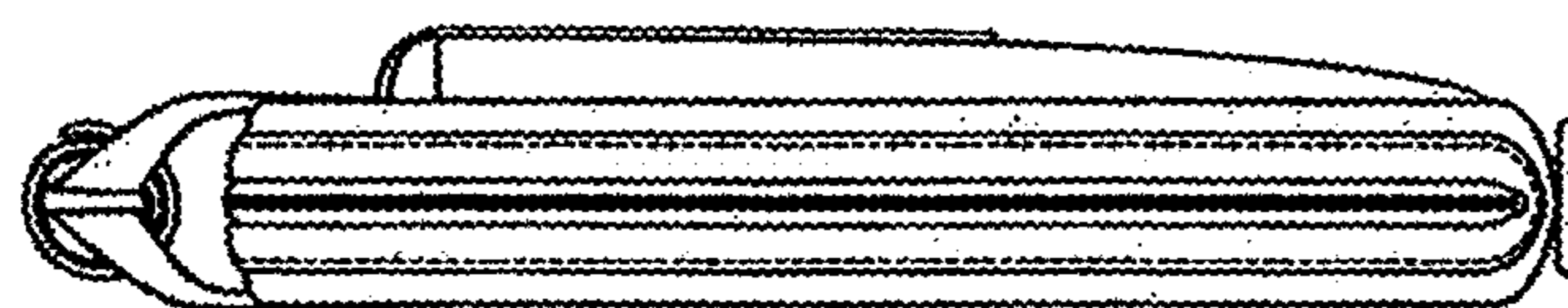


FIG. 4

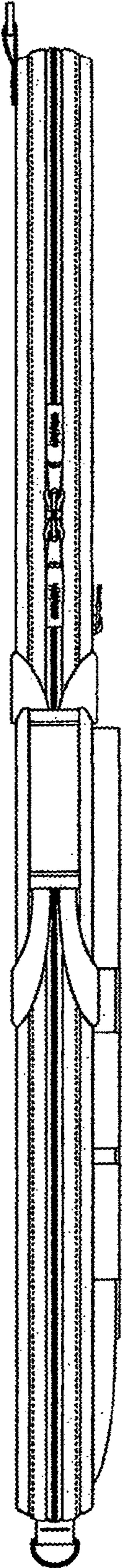


FIG. 5

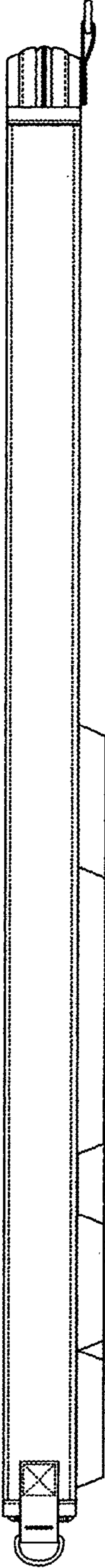


FIG. 6