



US00D744233S

(12) **United States Design Patent**  
**Hassler**

(10) **Patent No.:** **US D744,233 S**  
(45) **Date of Patent:** **\*\* Dec. 1, 2015**

- (54) **MULTIPLE TOOL DOCK**
- (71) Applicant: **Mathew Ryan Hassler**, San Antonio, TX (US)
- (72) Inventor: **Mathew Ryan Hassler**, San Antonio, TX (US)
- (73) Assignee: **Rooster Products International, Inc.**, San Antonio, TX (US)
- (\*\*) Term: **14 Years**
- (21) Appl. No.: **29/494,189**
- (22) Filed: **Jun. 18, 2014**
- (51) **LOC (10) Cl.** ..... **03-01**
- (52) **U.S. Cl.**  
USPC ..... **D3/228**
- (58) **Field of Classification Search**  
USPC ..... D3/228, 215; 224/197, 240, 242, 245, 224/270, 673, 904; 211/70.6; 248/316.8  
See application file for complete search history.

- 4,106,679 A \* 8/1978 Hillinger ..... A45F 5/00 224/197
- D253,019 S \* 10/1979 Hillinger ..... D3/228
- 4,621,753 A \* 11/1986 Ridings ..... A45F 5/02 224/234
- D374,604 S \* 10/1996 Hnatowicz ..... D3/228
- D405,955 S \* 2/1999 Russell ..... D3/228
- 6,679,404 B2 \* 1/2004 Brandt ..... A45F 5/00 224/232

\* cited by examiner

*Primary Examiner* — Catheri Oliver-Garcia

(74) *Attorney, Agent, or Firm* — John C. Cave; Gunn, Lee & Cave, P.C.

(57) **CLAIM**

The ornamental design for a multiple tool dock, as shown and described.

**DESCRIPTION**

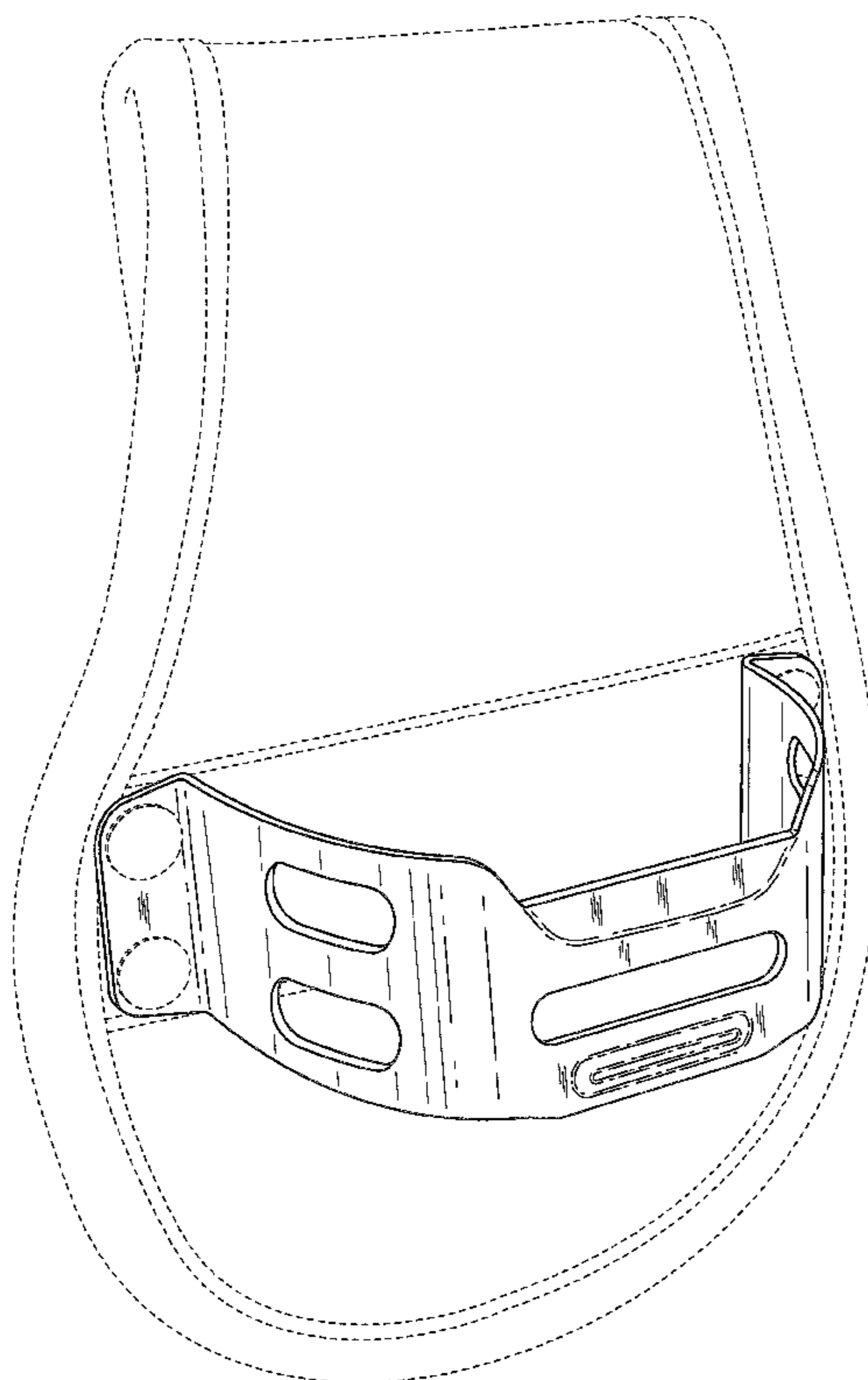
FIG. 1 is a front perspective view of the multiple tool dock;  
 FIG. 2 is a front view thereof.  
 FIG. 3 is a rear view thereof.  
 FIG. 4 is a right side view thereof.  
 FIG. 5 is a left side view thereof.  
 FIG. 6 is a top view thereof.  
 FIG. 7 is a bottom view thereof; and,  
 FIG. 8 is a rear perspective view of the multiple tool dock.  
 Broken lines are used in the drawings to show the environment related to the claimed design and form no part of the claimed design.

**1 Claim, 6 Drawing Sheets**

(56) **References Cited**

U.S. PATENT DOCUMENTS

- 2,835,944 A \* 5/1958 Johnston ..... A45F 5/02 224/904
- 3,156,388 A \* 11/1964 Simmons ..... B25H 3/00 211/70.6
- 3,599,847 A \* 8/1971 Danielson ..... A45F 5/02 211/70.6



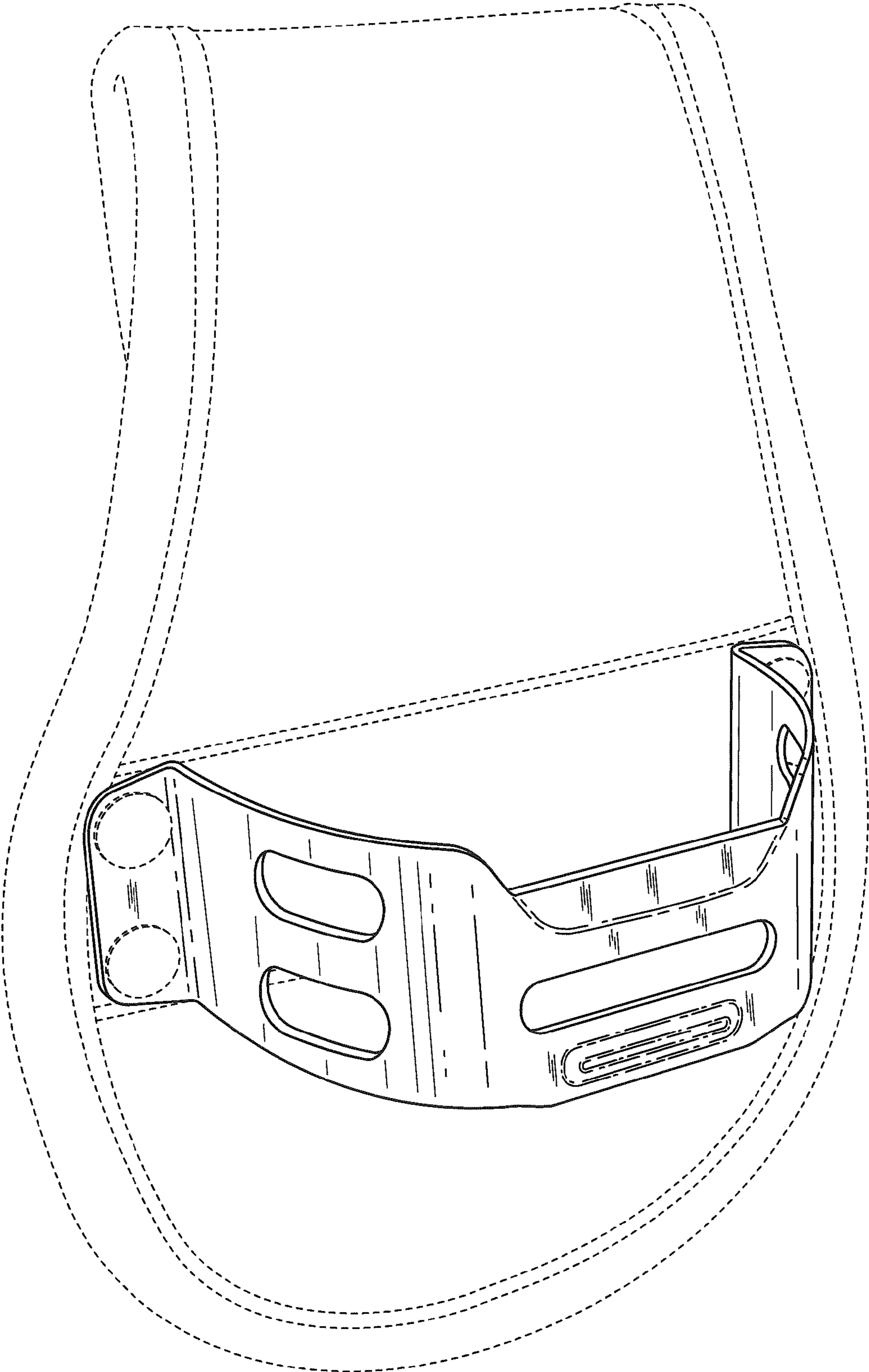


FIG. 1

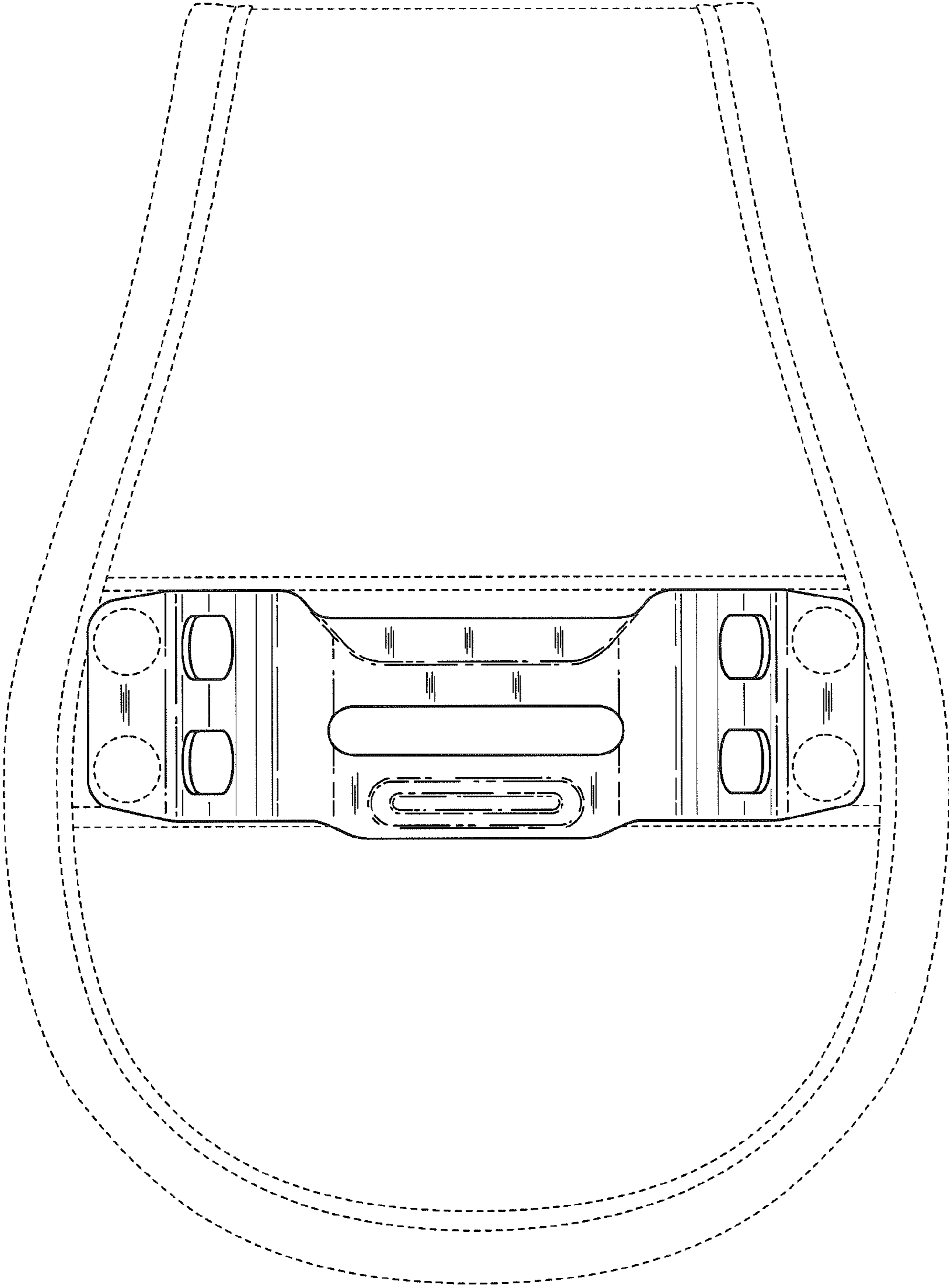


FIG. 2

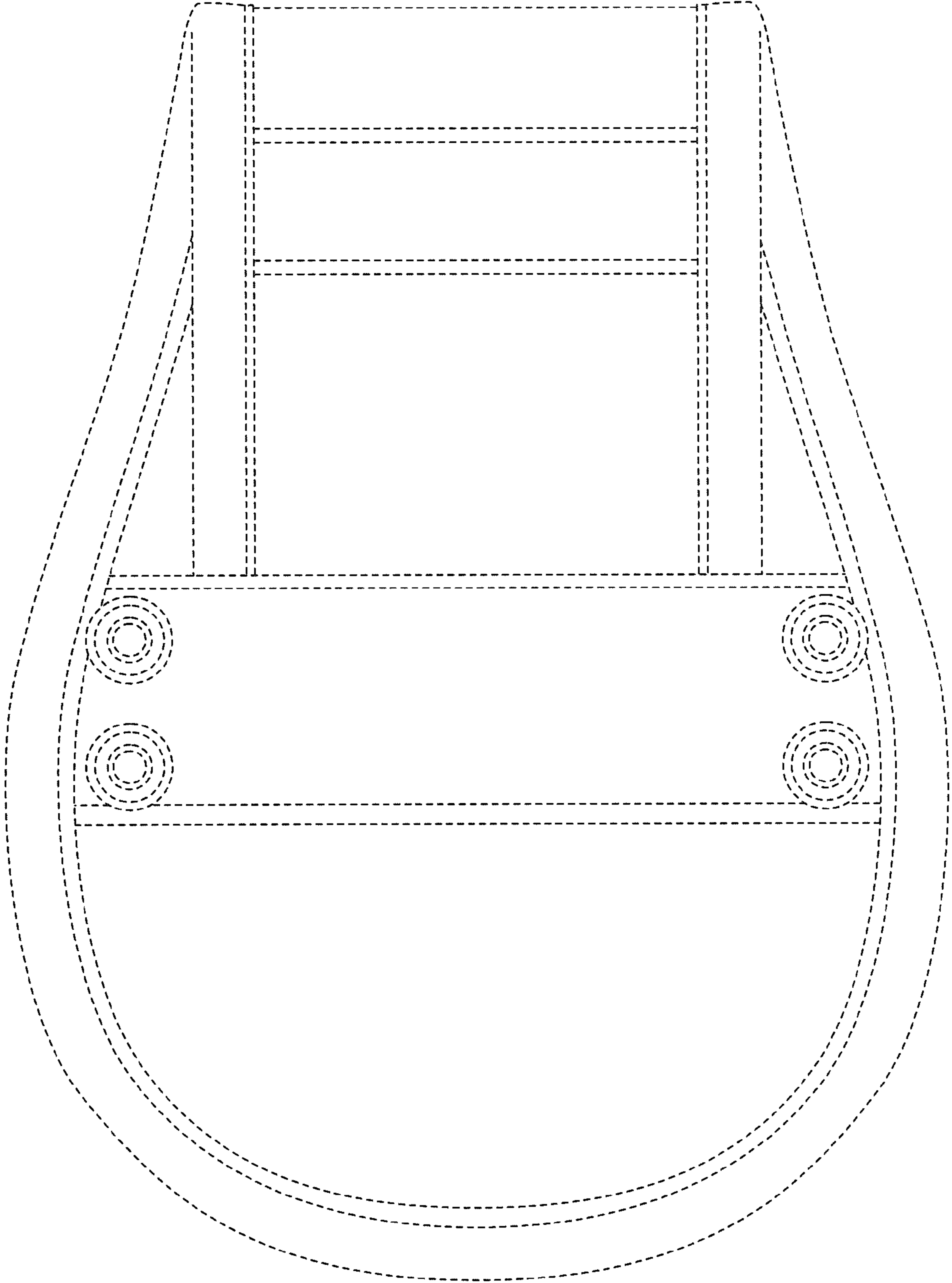


FIG. 3

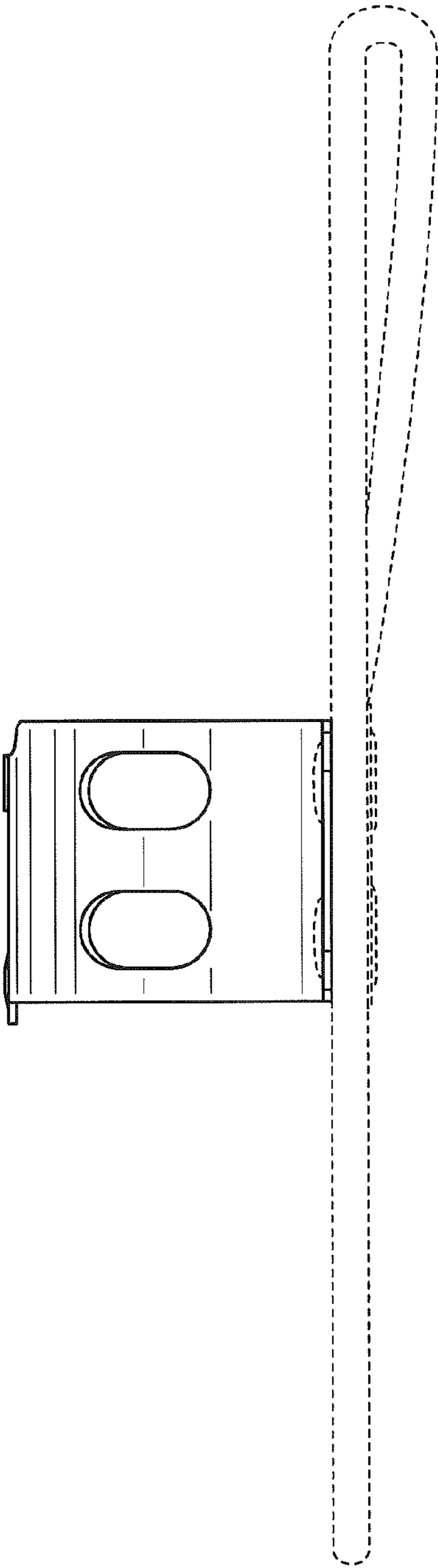


FIG. 4

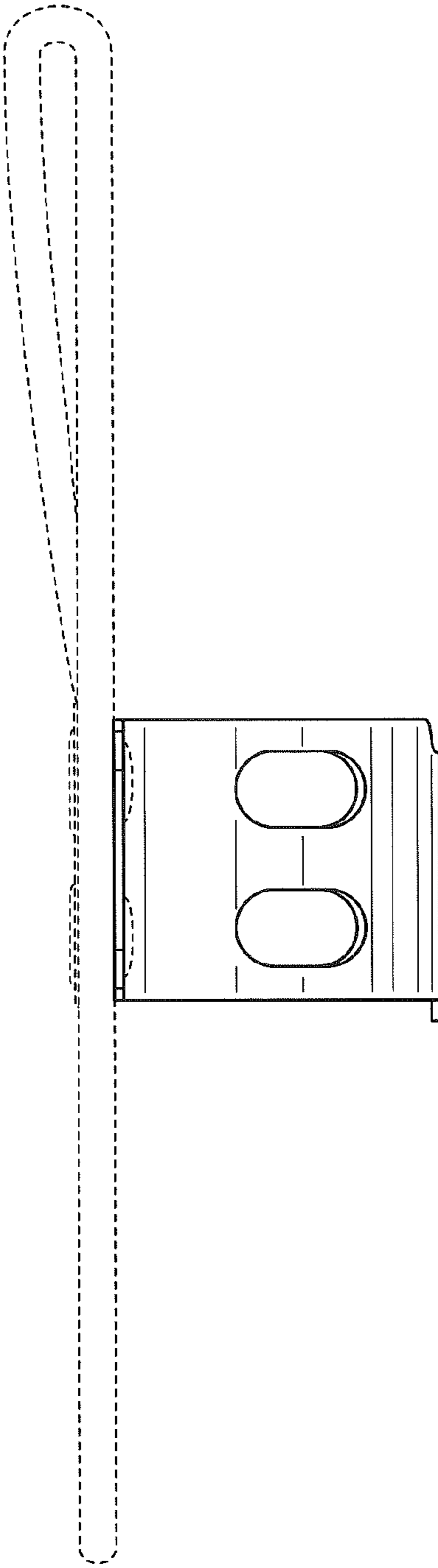


FIG. 5

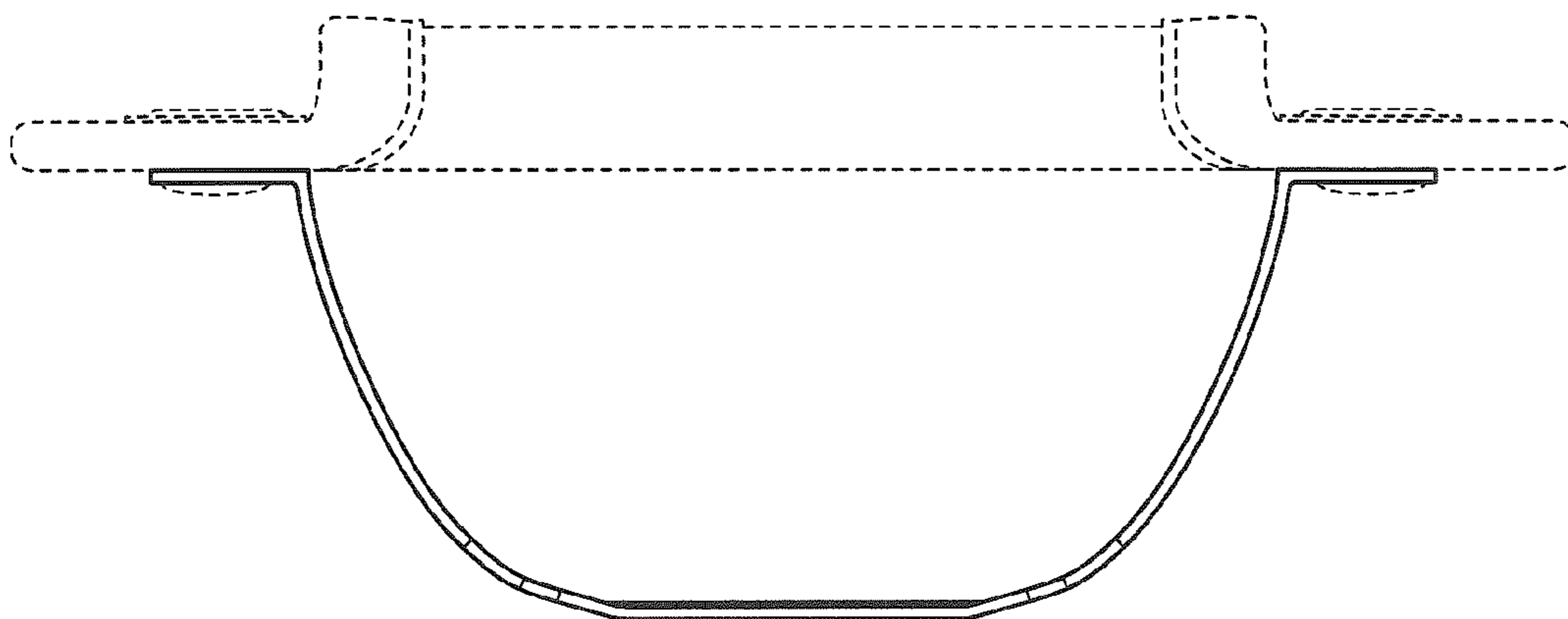


FIG. 6

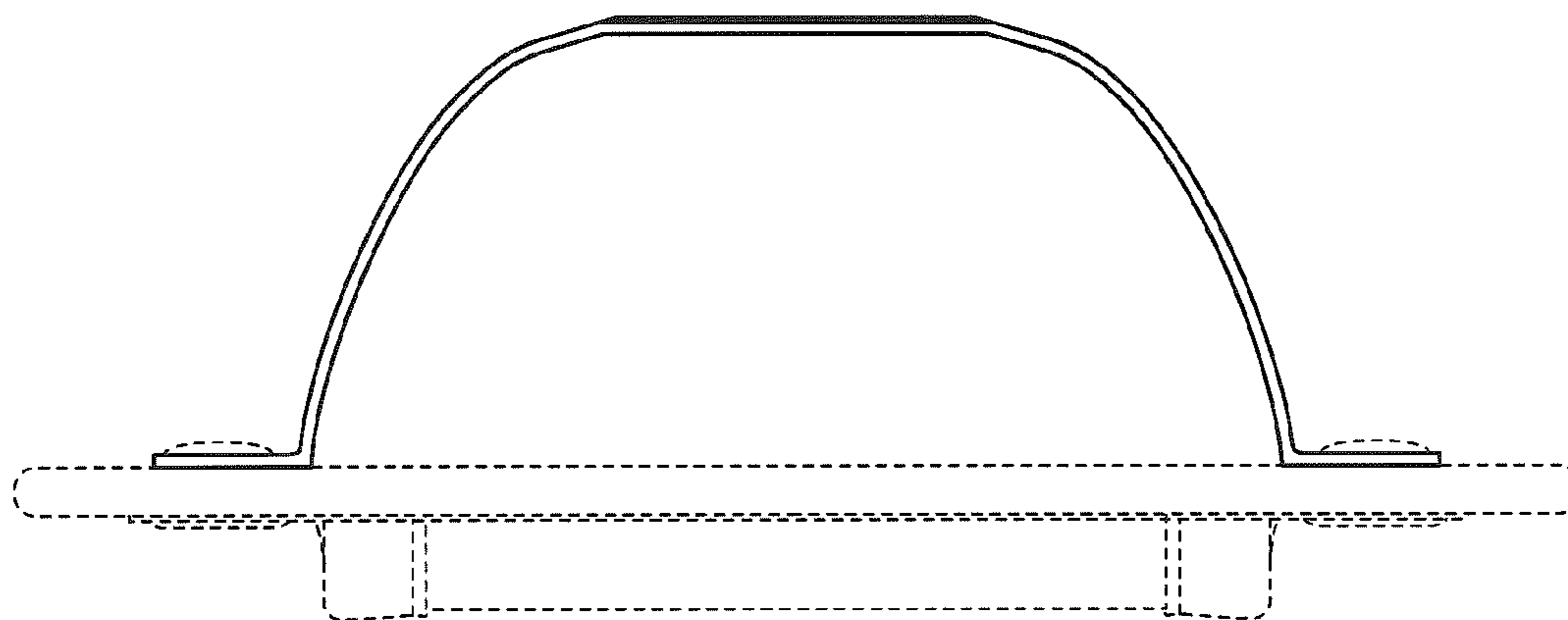


FIG. 7



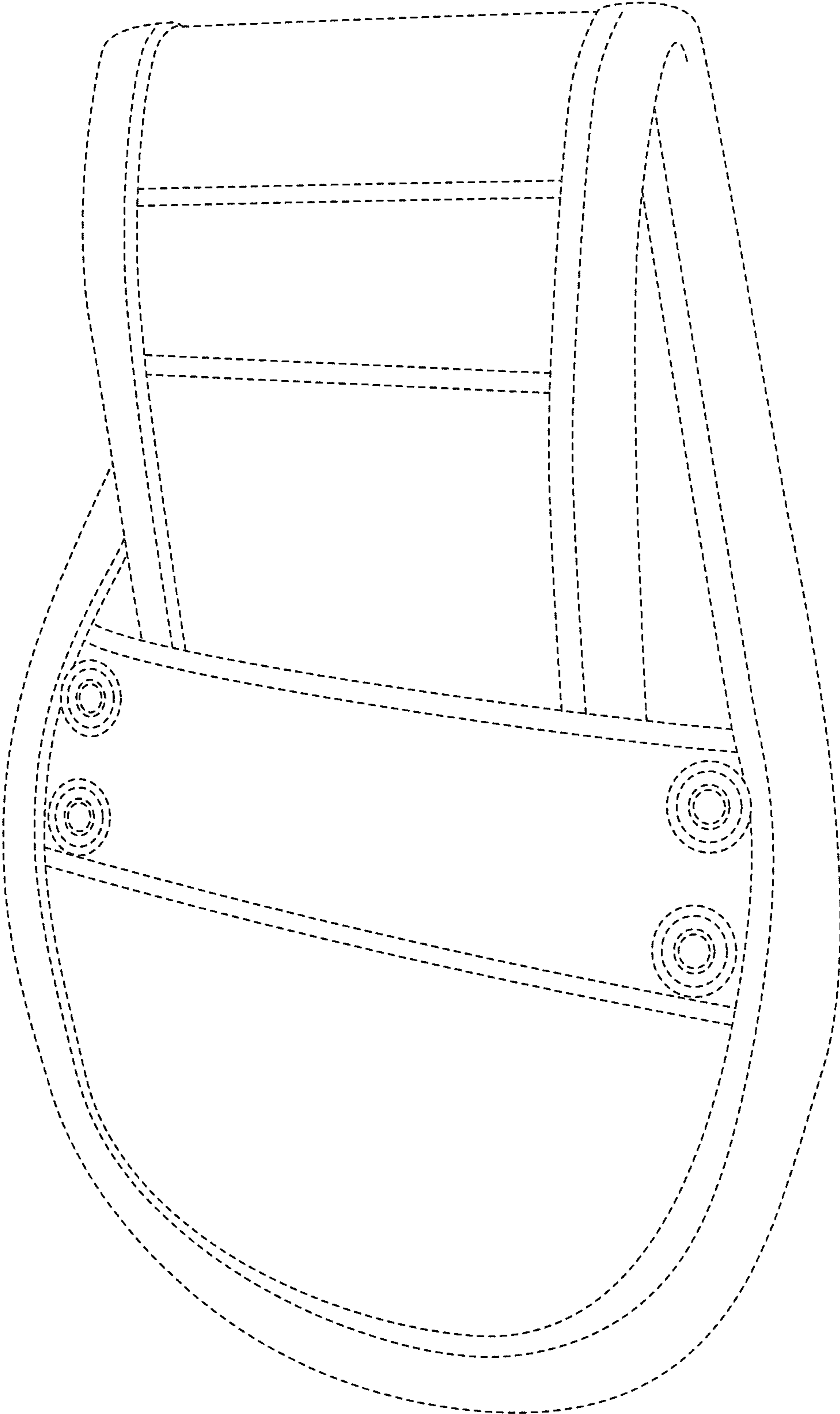


FIG. 8