



US00D744231S

(12) **United States Design Patent**  
**Erdmann**

(10) **Patent No.:** **US D744,231 S**  
(45) **Date of Patent:** **\*\* Dec. 1, 2015**

- (54) **ADJUSTABLE PACK FRAME**
- (71) Applicant: **Nathaniel Brent Erdmann**, Cape Carteret, NC (US)
- (72) Inventor: **Nathaniel Brent Erdmann**, Cape Carteret, NC (US)
- (73) Assignee: **Nathaniel Brent Erdmann**, Swansboro, NC (US)
- (\*\*) Term: **14 Years**
- (21) Appl. No.: **29/487,915**
- (22) Filed: **Apr. 14, 2014**

- D329,925 S \* 9/1992 Tilbury ..... D24/190
- 5,161,722 A \* 11/1992 Hembree ..... A45F 3/08  
224/148.2
- D345,835 S \* 4/1994 Tanner ..... D34/5
- D351,885 S \* 10/1994 Gonthier ..... D3/254
- D364,273 S \* 11/1995 Miller, Jr. .... D3/318
- 5,489,052 A \* 2/1996 Blood, Jr. .... A45F 4/04  
135/95
- 5,842,614 A \* 12/1998 Morrow ..... A45F 4/00  
224/259
- D620,279 S \* 7/2010 Lebon, III ..... D6/681.1
- 8,104,653 B1 \* 1/2012 Leung ..... A45F 3/04  
224/148.2
- 2002/0170932 A1 \* 11/2002 Higgins ..... A45F 3/04  
224/156
- 2004/0140332 A1 \* 7/2004 Blood, Jr. .... A47C 17/82  
224/156
- 2007/0228098 A1 \* 10/2007 Teeters ..... A45F 3/10  
224/633

- (51) **LOC (10) Cl.** ..... **03-01**
- (52) **U.S. Cl.**  
USPC ..... **D3/216**
- (58) **Field of Classification Search**  
USPC ..... D3/216, 217, 259, 269, 318, 319, 323;  
244/153, 581, 633, 634, 161, 261, 483,  
244/457  
CPC ..... A45F 3/04; A45F 3/08; A47D 13/025;  
A01K 97/10; B62J 9/00; B62J 11/00  
See application file for complete search history.

\* cited by examiner

*Primary Examiner* — John Windmuller

*Assistant Examiner* — Steven Czyz

(74) *Attorney, Agent, or Firm* — Ward and Smith, P.A.; Ryan K. Simmons

(57) **CLAIM**

The ornamental design for an adjustable pack frame, as shown and described.

**DESCRIPTION**

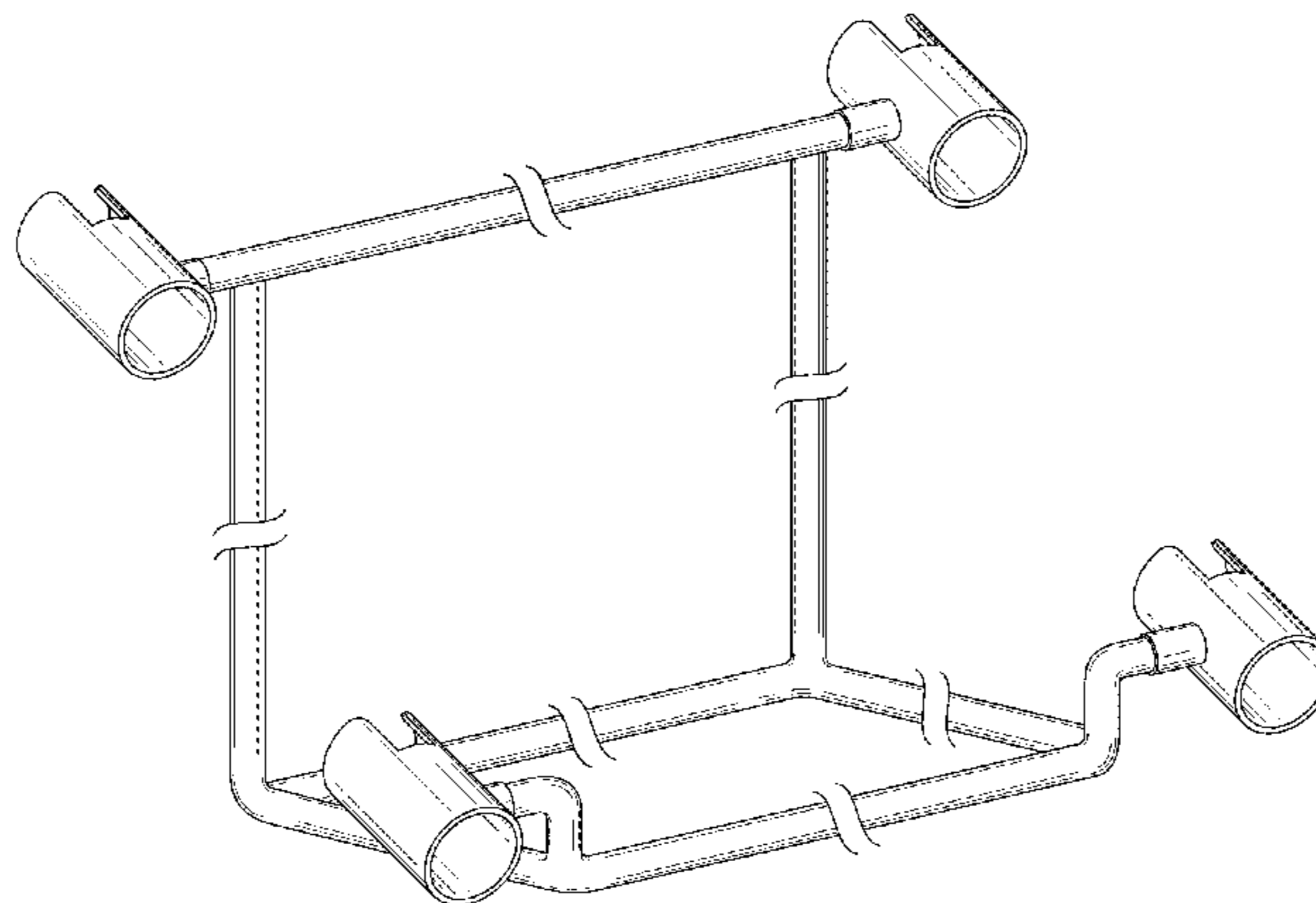
FIG. 1 is a rear perspective view of an adjustable pack frame showing a new design;  
 FIG. 2 is a front perspective view thereof;  
 FIG. 3 is a rear elevation view thereof;  
 FIG. 4 is a front elevation view thereof;  
 FIG. 5 is a right side elevation view thereof, the left side view being a mirror image thereof;  
 FIG. 6 is another rear perspective view thereof, showing the adjustable pack frame within a pack;  
 FIG. 7 is another rear perspective view thereof, showing the adjustable pack frame in an alternate configuration; and,  
 FIG. 8 is another front perspective view thereof, showing the adjustable pack frame in an alternate configuration.  
 The dashed lines shown in the drawings are for environmental purposes only and form no part of the claimed design.  
 Members of the adjustable pack frame are shown broken away to indicate that they have no specific length other than what is shown.

(56) **References Cited**

U.S. PATENT DOCUMENTS

- 4,009,809 A \* 3/1977 Morris ..... A45F 3/10  
211/189
- D246,938 S \* 1/1978 Marquart ..... D3/216
- 4,099,657 A \* 7/1978 Zufich ..... A45F 3/08  
224/262
- 4,286,739 A \* 9/1981 Silcott ..... A45F 4/02  
224/153
- 4,511,071 A \* 4/1985 Curran ..... A45F 4/06  
224/156
- D281,643 S \* 12/1985 Anderson ..... D3/216
- D306,379 S \* 3/1990 Kobasic ..... D25/62
- D308,912 S \* 7/1990 Lee ..... D3/216
- D311,094 S \* 10/1990 Scherer ..... 224/153
- D325,798 S \* 4/1992 Montrose ..... D34/5
- D326,172 S \* 5/1992 Biesele ..... D3/10

**1 Claim, 8 Drawing Sheets**



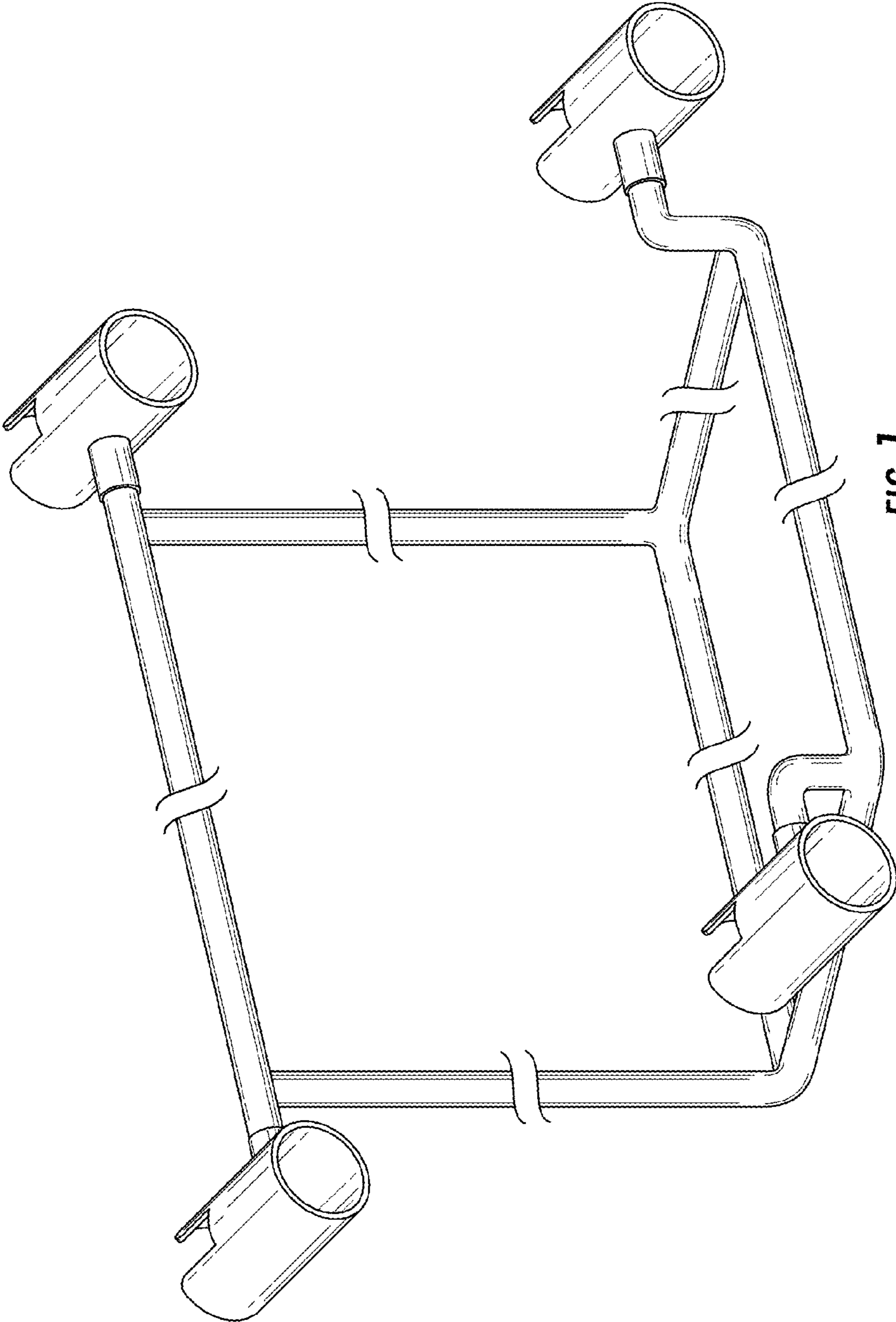


FIG. 1

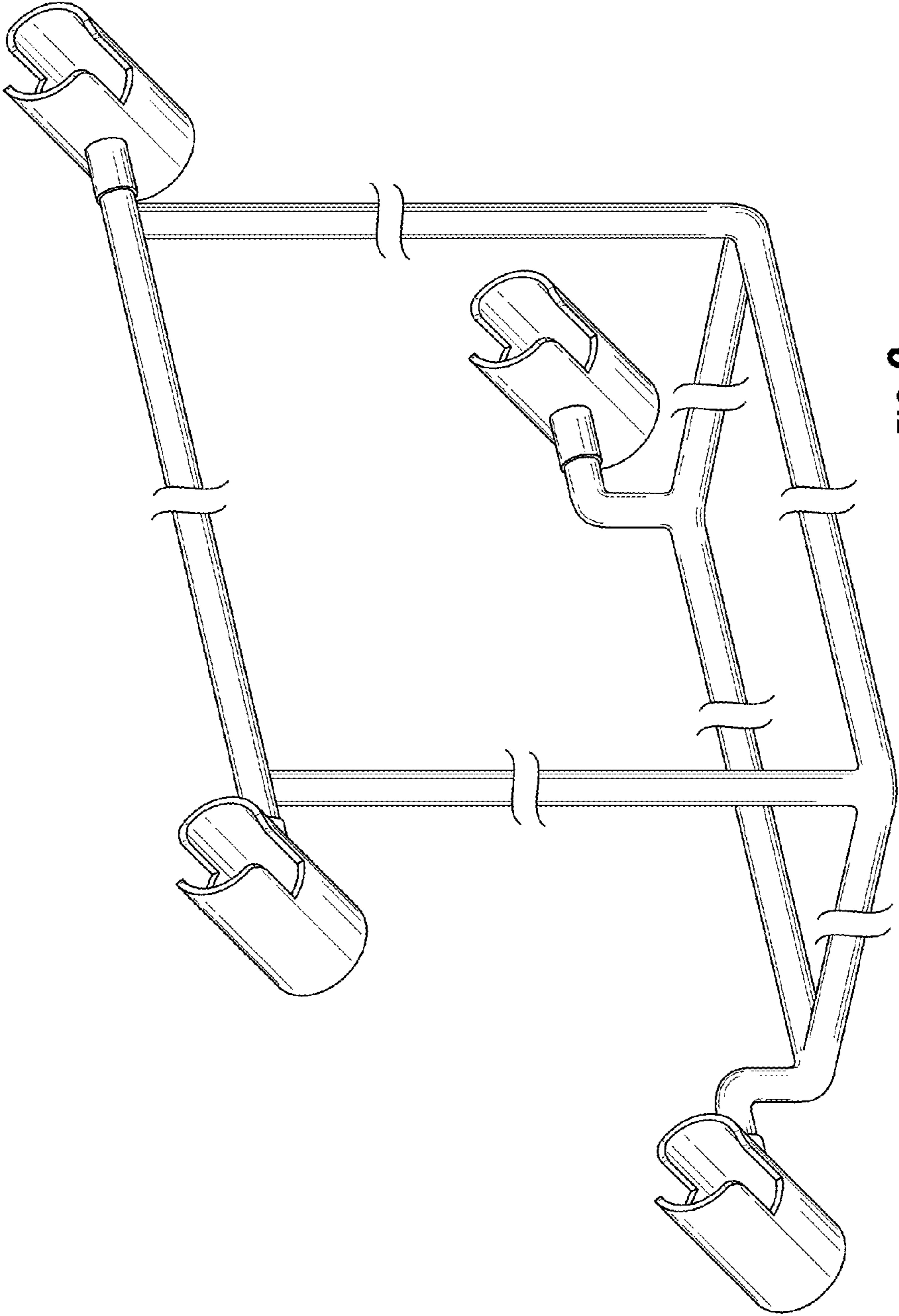


FIG. 2

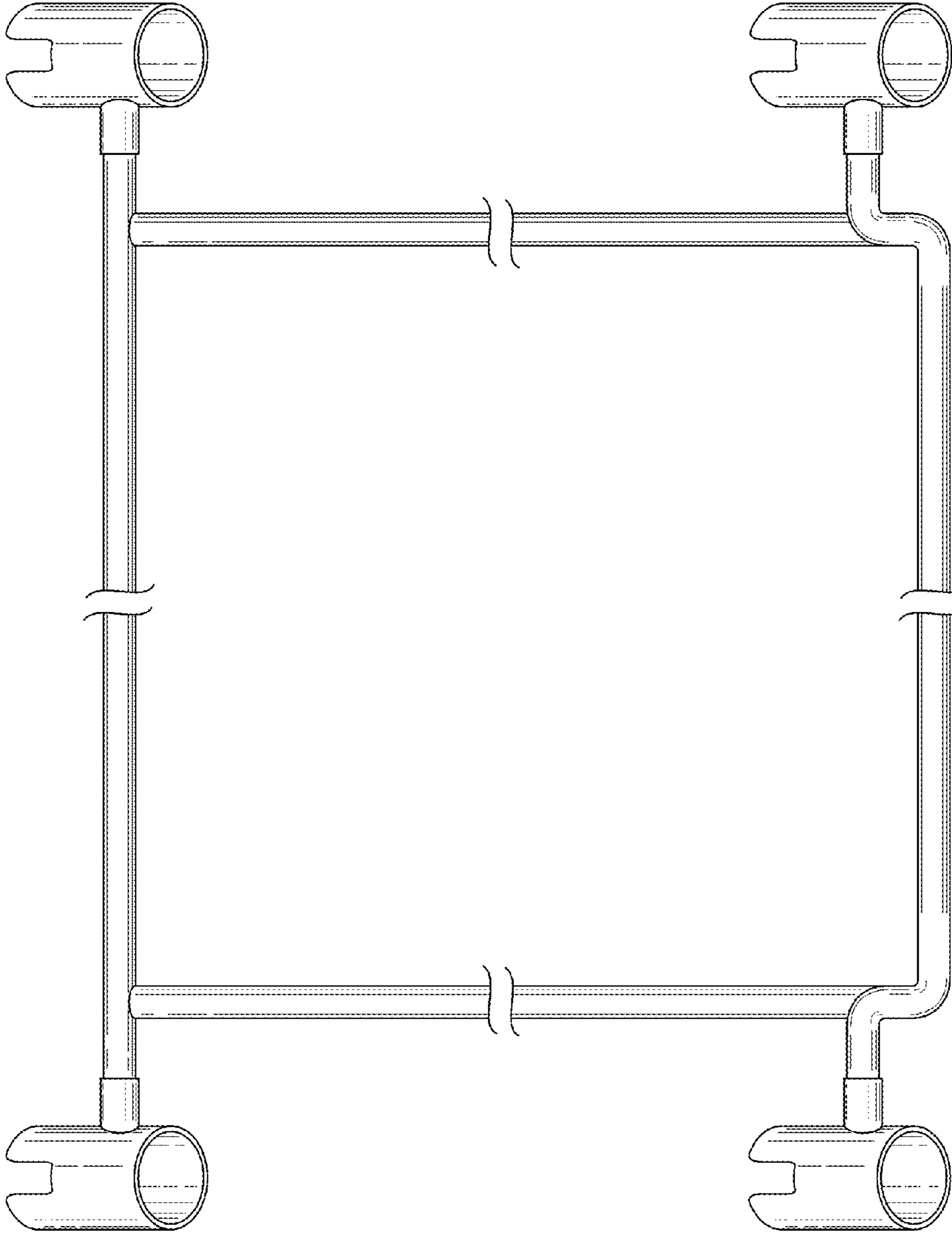


FIG. 3

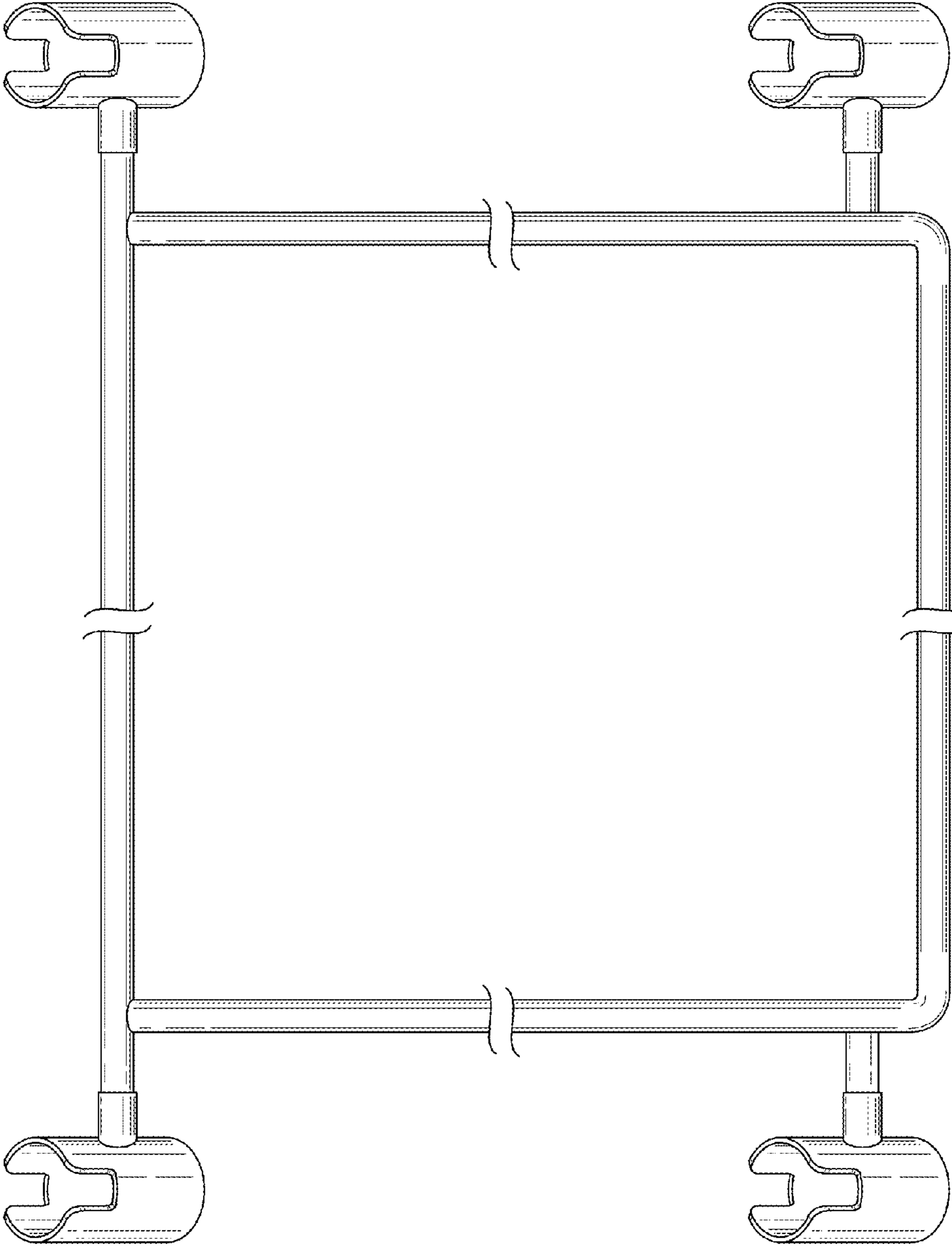


FIG. 4

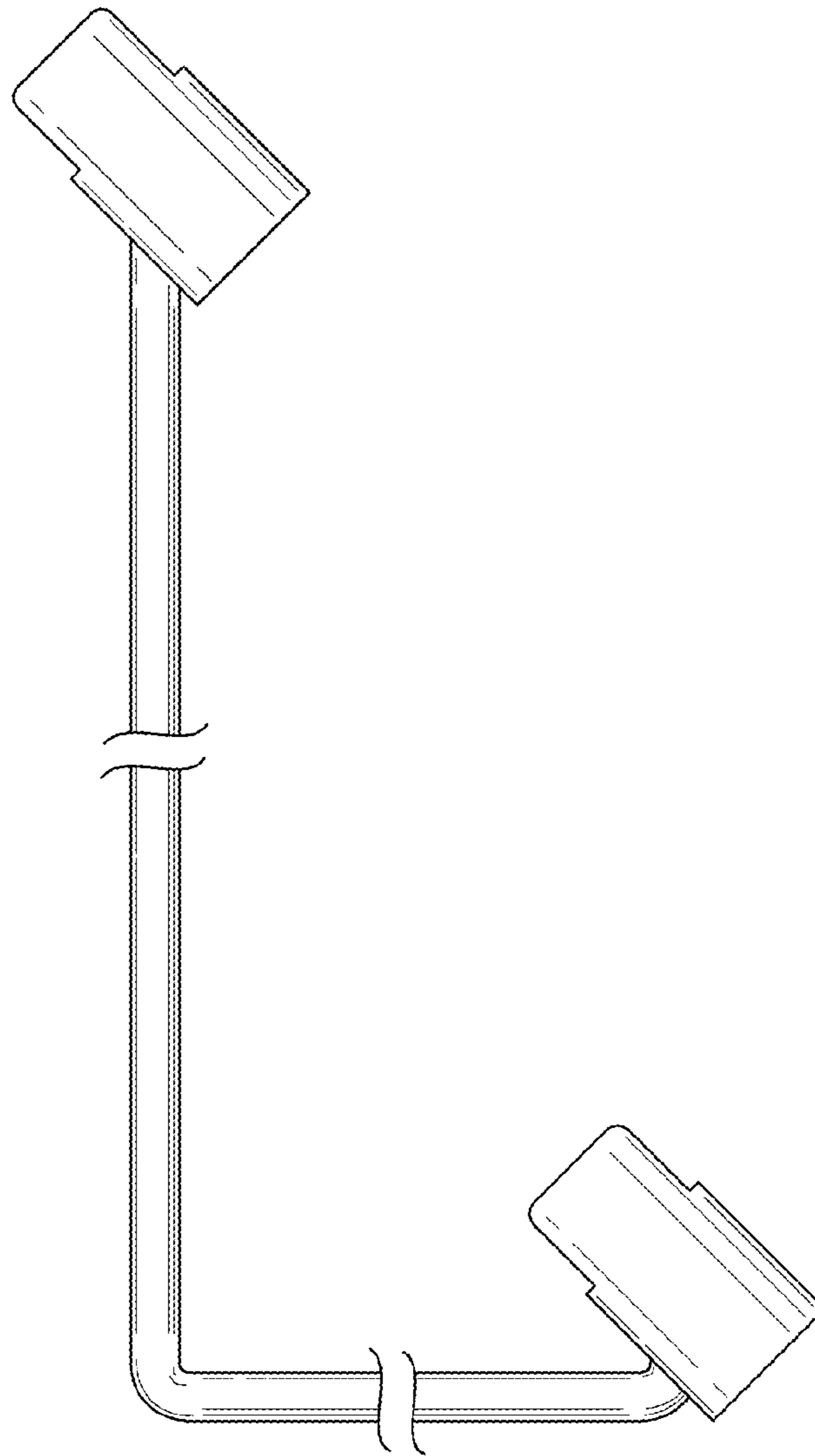


FIG. 5

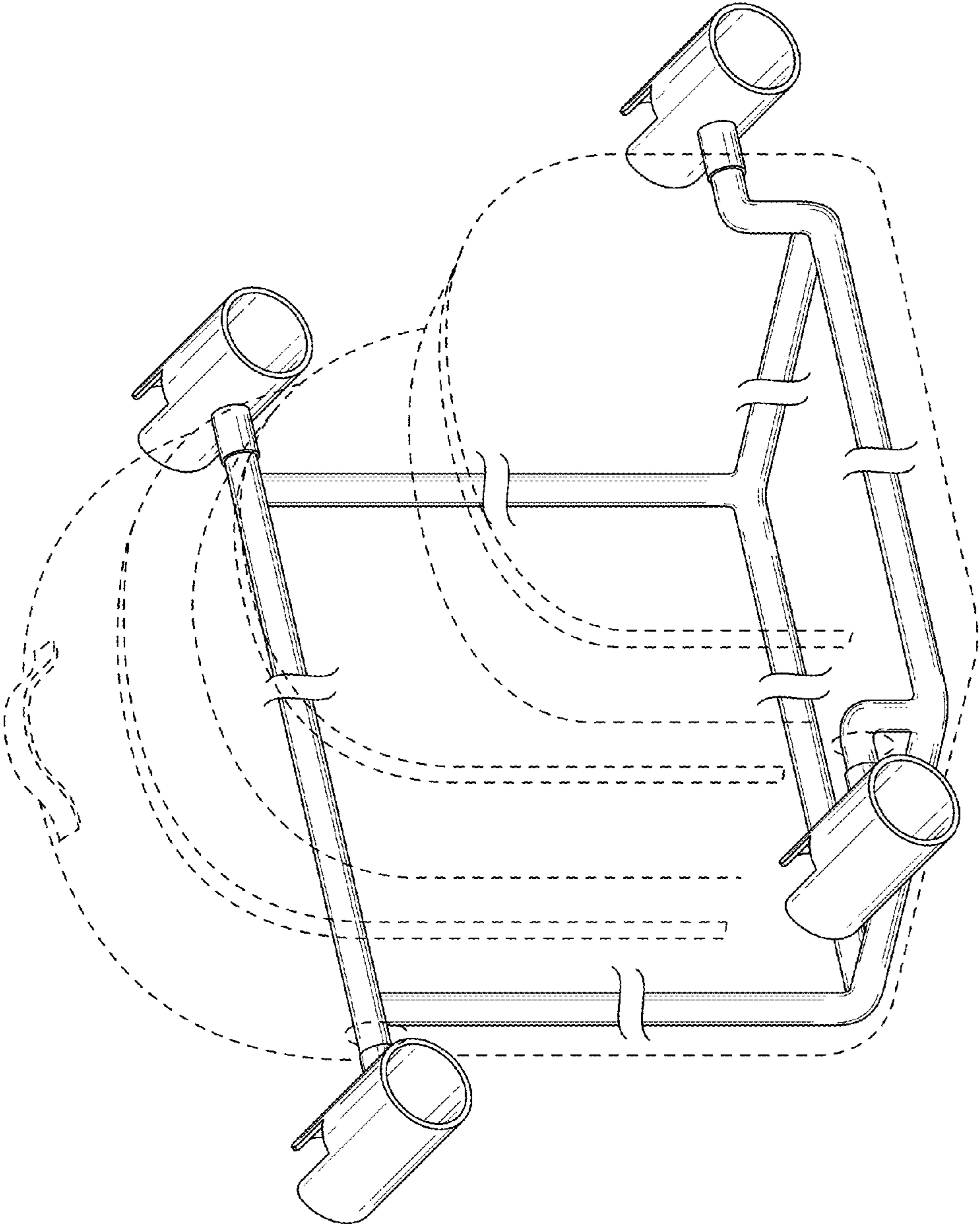


FIG. 6

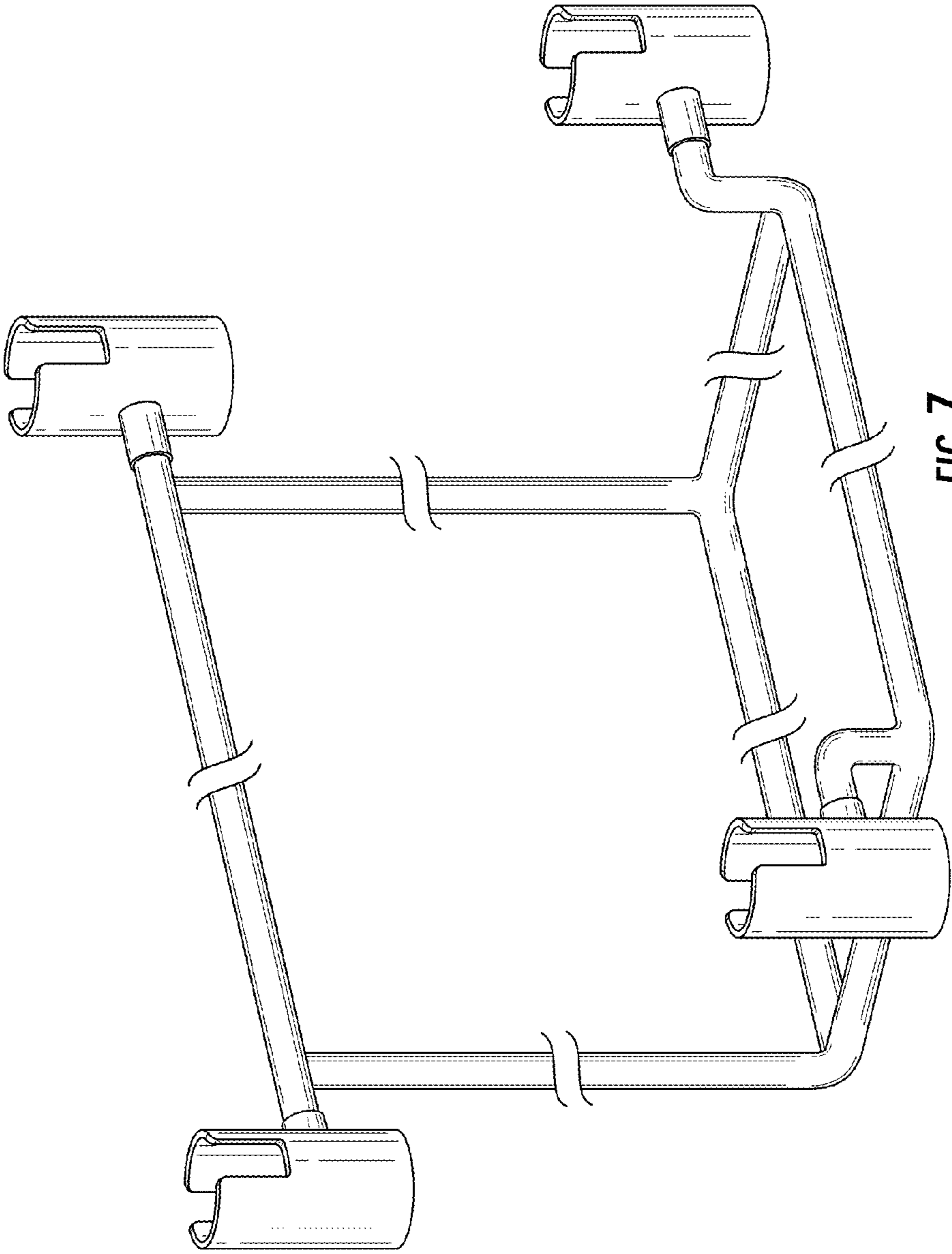


FIG. 7



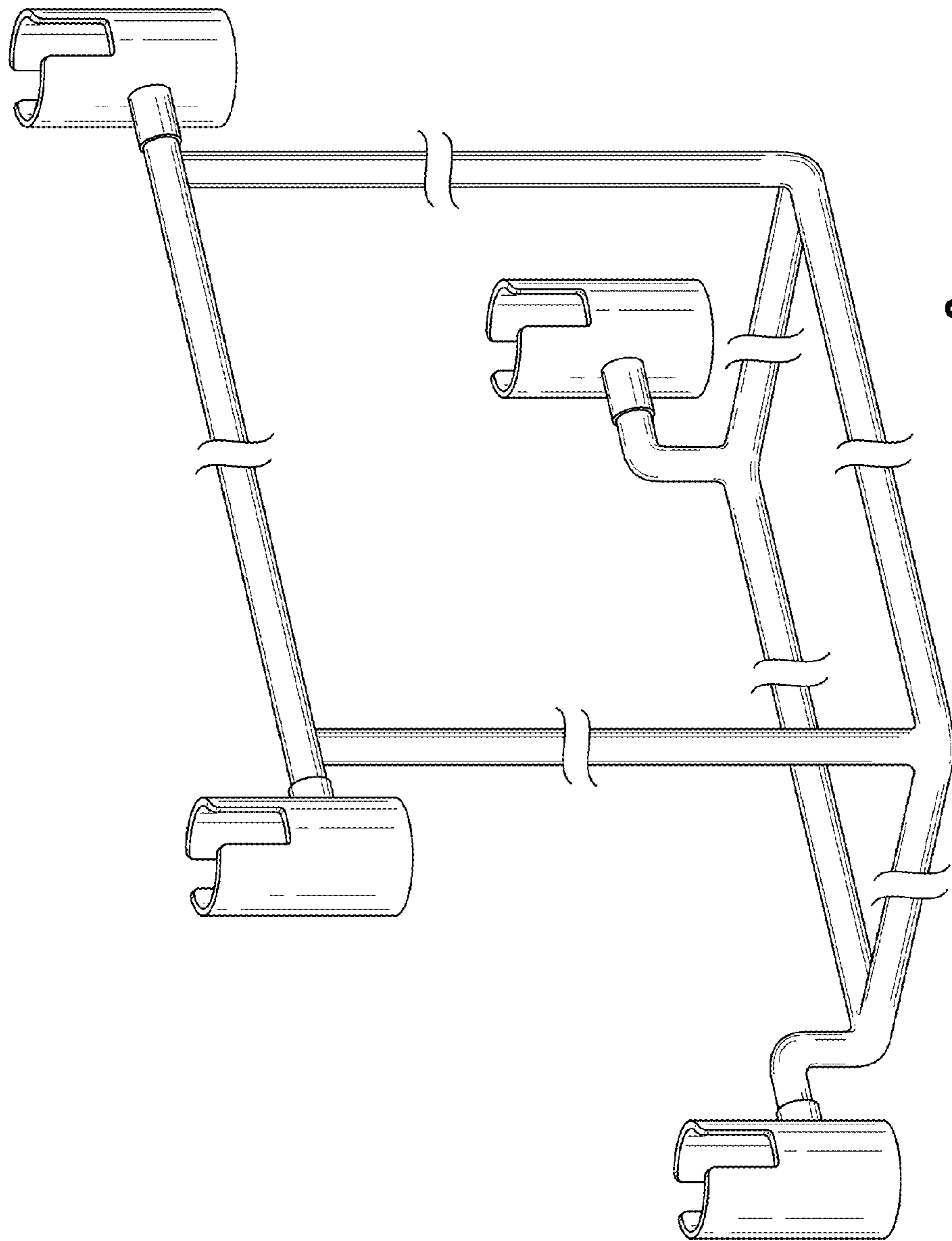


FIG. 8